

Fixture Type: _____

Catalog Number: _____

Project: _____

Location: _____

Mobius

Flush Mount 3000K

| Model & Size | Color Temp | Finish | LED Watts | LED Lumens | Delivered Lumens |
|--------------|------------|-----------------------|-----------|------------|------------------|
| FM-35424 24" | 3000K | BK Black CH Chrome | 28 W | 3400 | 1979 |

Example: **FM-35424-CH**

For custom requests please contact customs@wacighting.com

DESCRIPTION

Creating an eclectic harmony out of a chaotic, chic design. Mobius offers a free-flowing curvaceous strip of LED-powered illumination from a flexible, looping silica diffuser.

FEATURES

- Handcrafted, free flowing mobius strip of light. Variation expected.
- Driver concealed within the canopy

SPECIFICATIONS

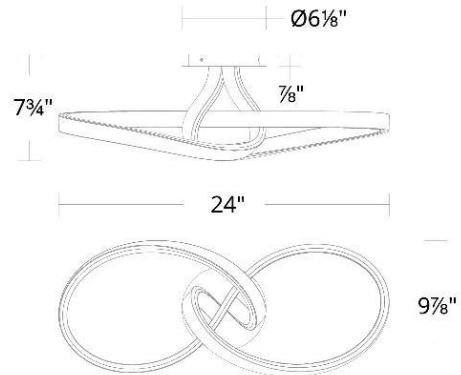
| | |
|---------------|---|
| Color Temp: | 3000K |
| Input: | 120/277V,50/60Hz |
| CRI: | 90 |
| Dimming: | ELV: 100-10% ,TRIAC: 100-5% |
| Rated Life: | 50000 Hours |
| Mounting: | Can be mounted on ceiling or wall in all orientations |
| Standards: | ETL, cETL Damp Location Listed |
| Construction: | Metal body silicon diffuser |



FINISHES:



LINE DRAWING:



FM-45324