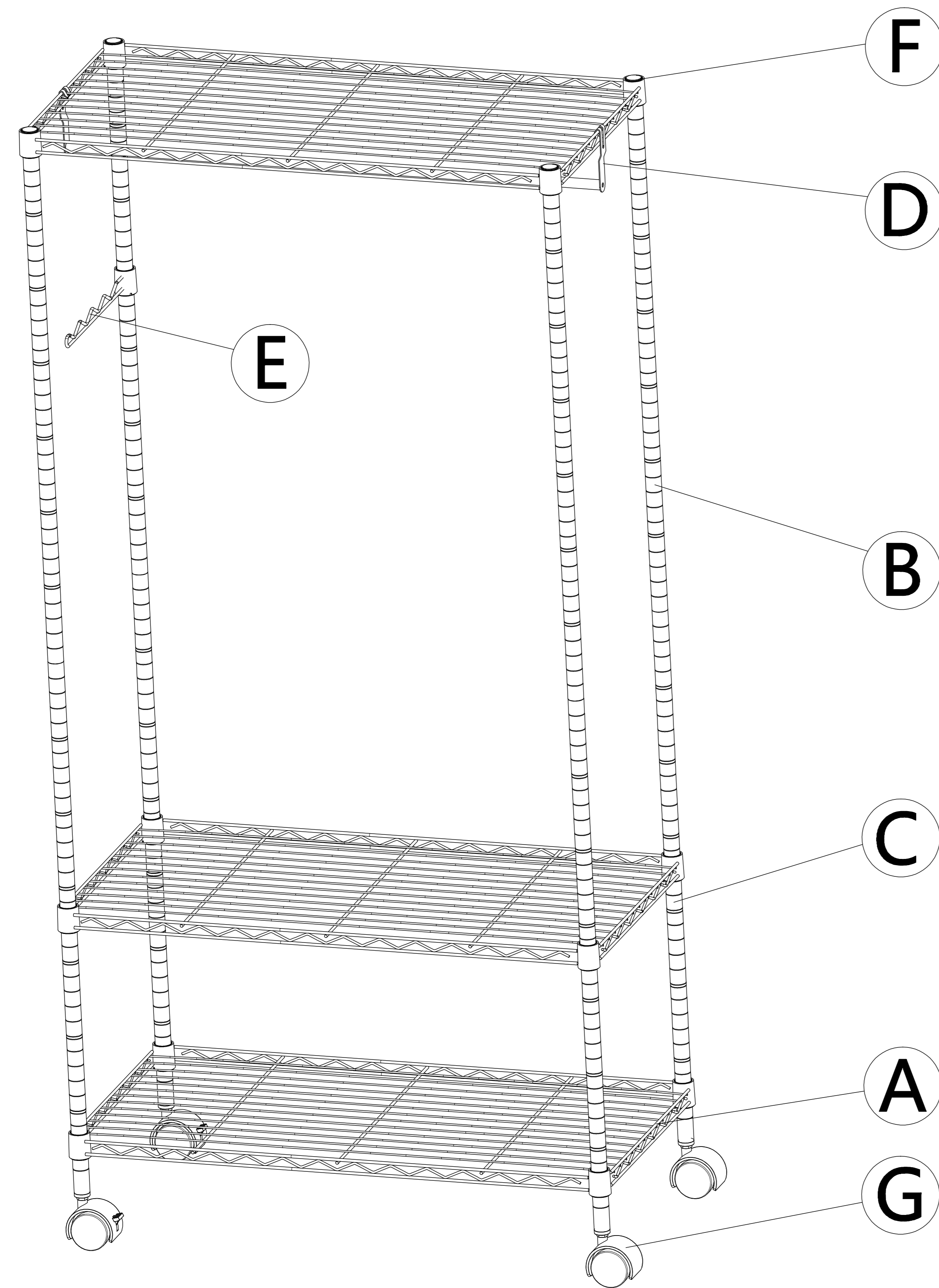


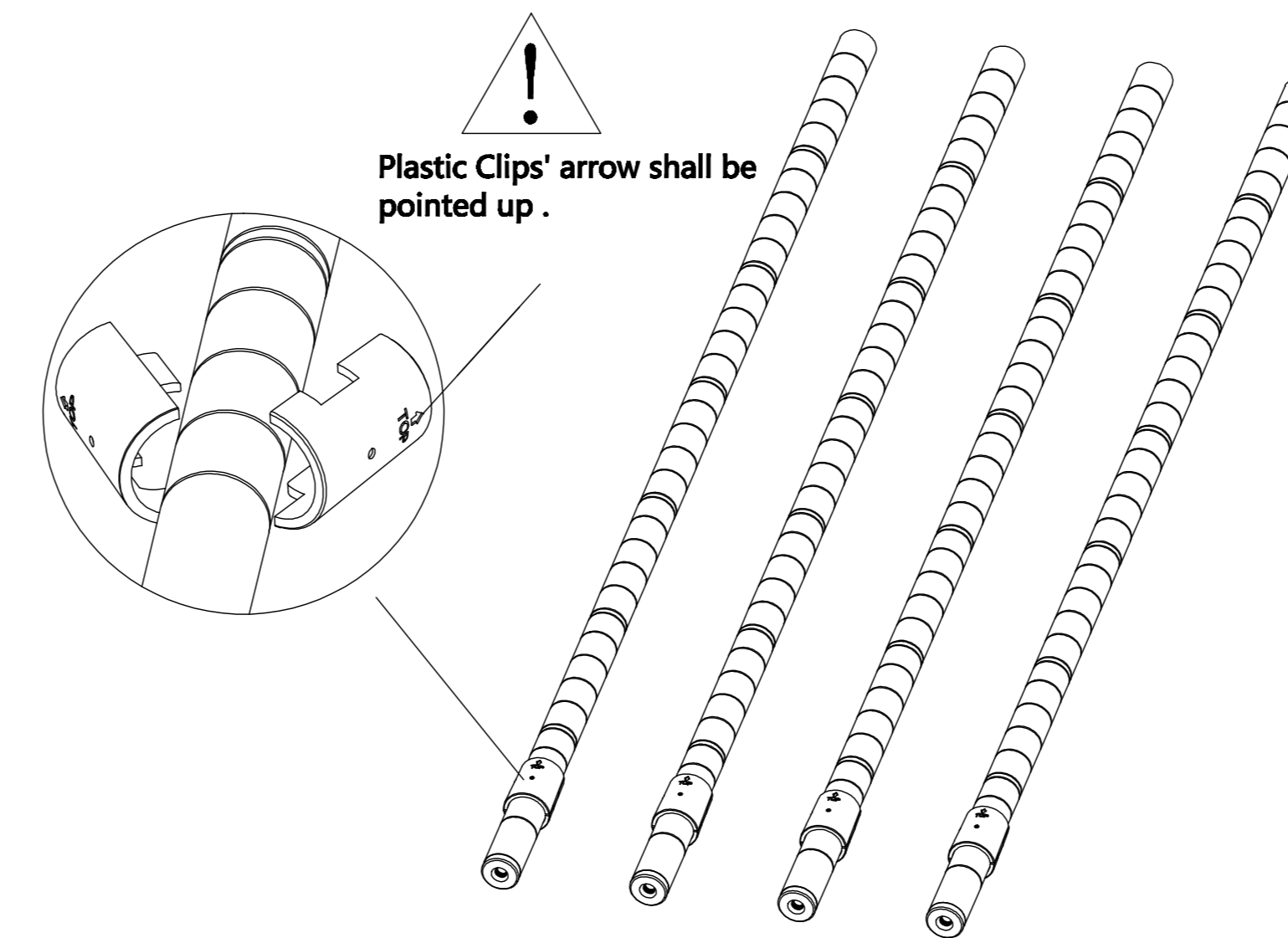
METAL WARDROBE INSTRUCTION

Assembly Steps:

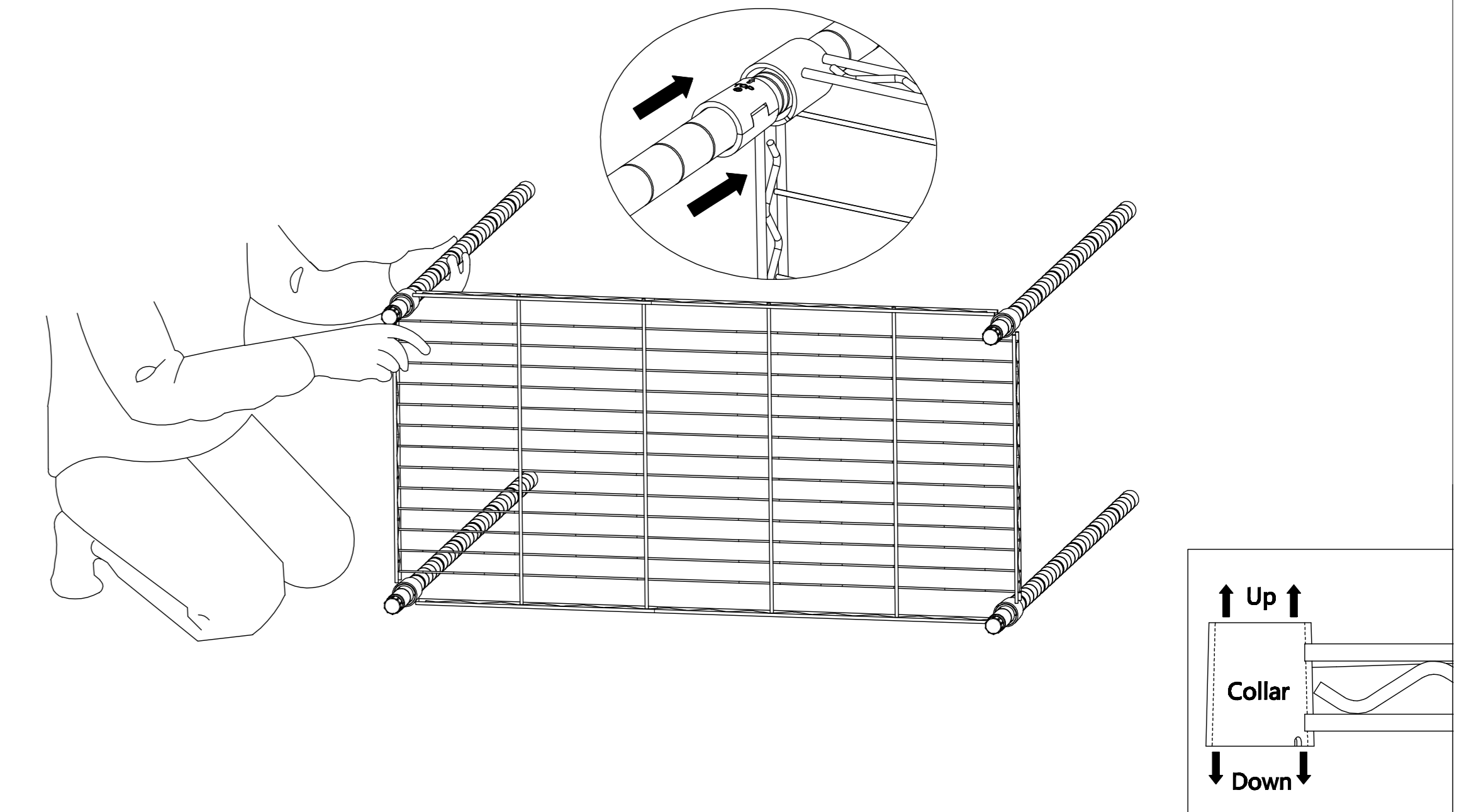
Size: L900xW450xH1800mm



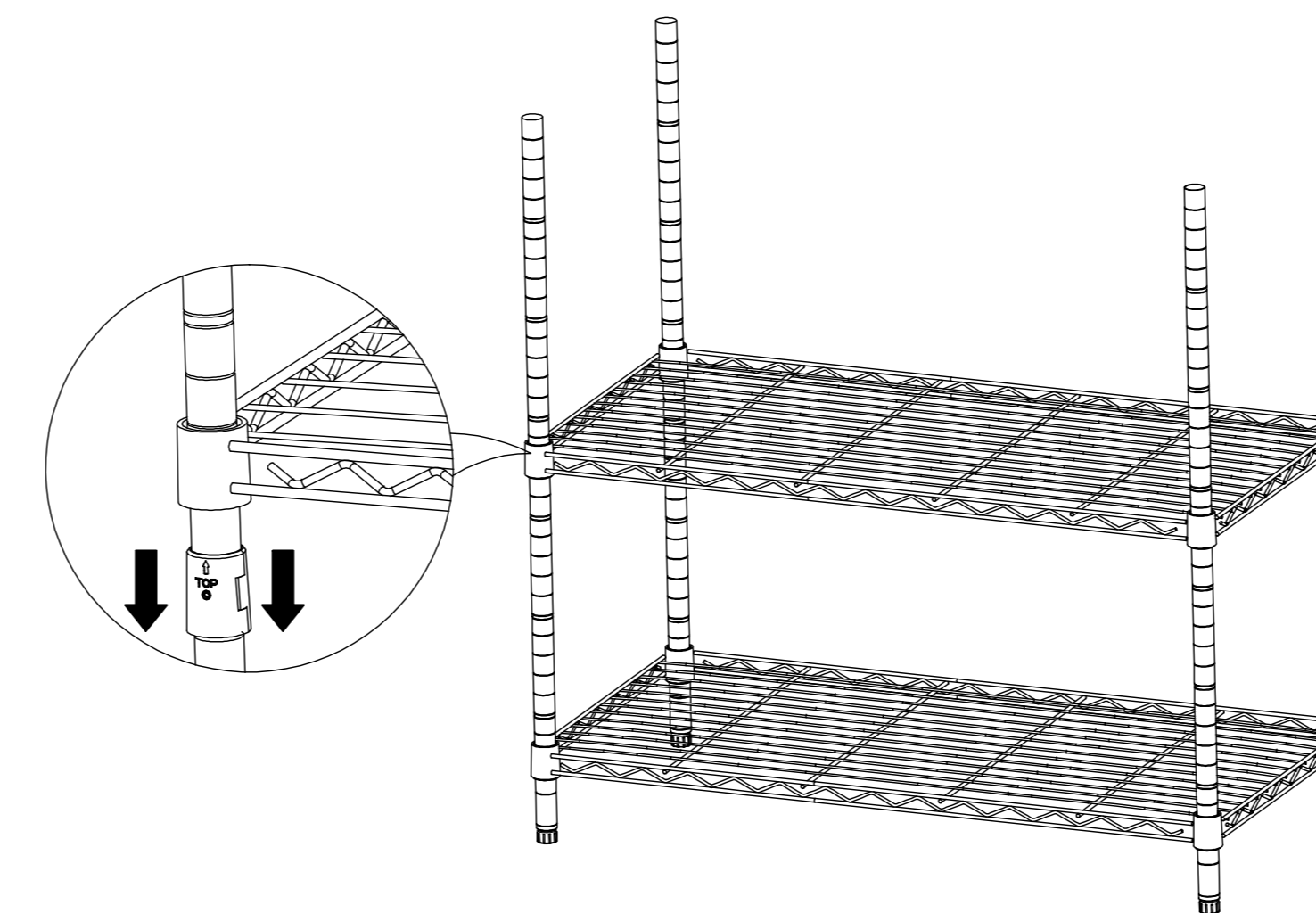
1 Snap the Plastic Clips (F) into the Lower Pole (C) at same position. and make sure that all plastic clips' arrow shall be pointed up.



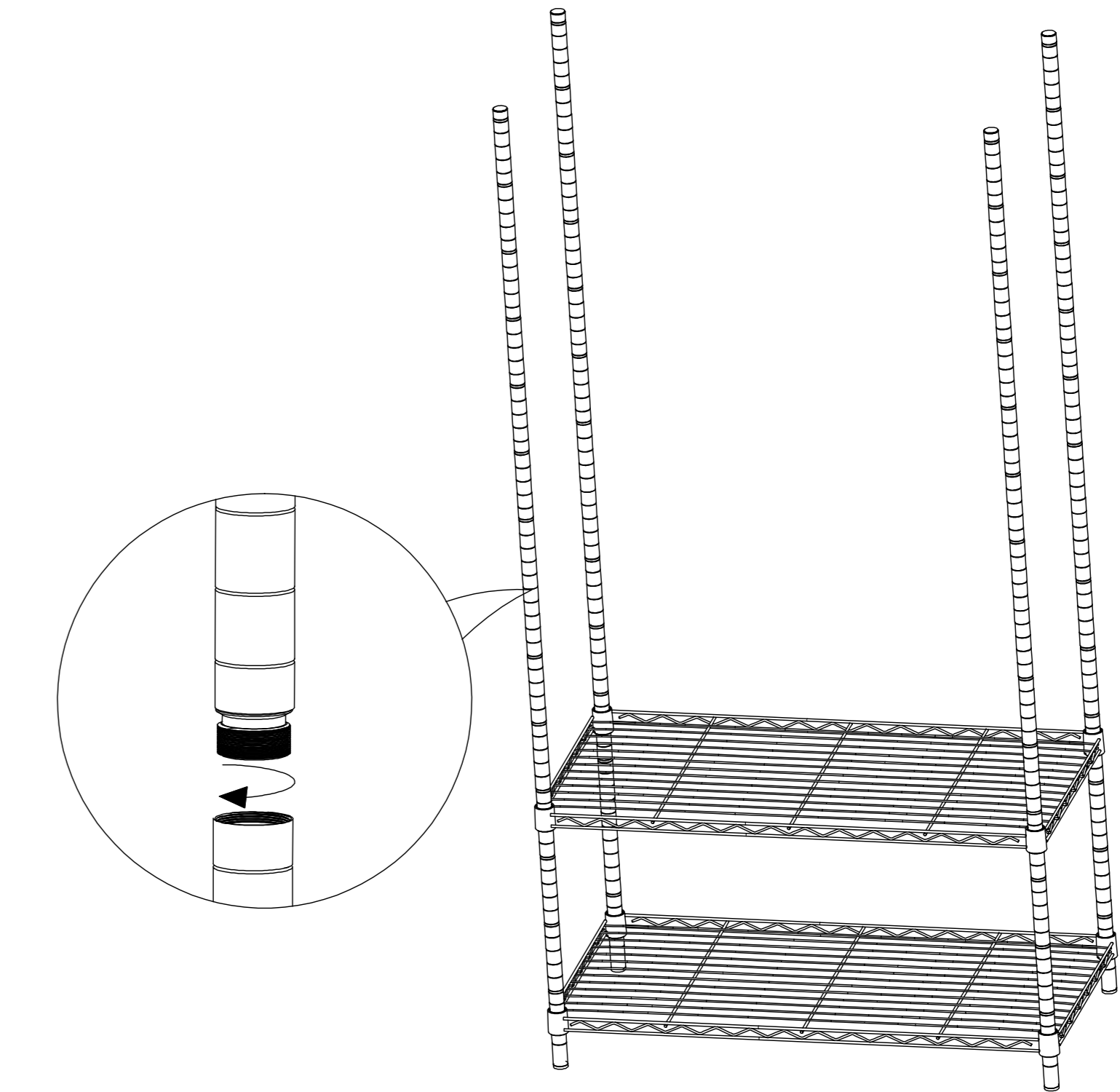
2 Please make sure that you have the Wire Shelf (A) the correct way up. Hold the shelf on its side and slide the top of four lower poles through the bottom of each shelf at its corners until there is snug fit. After 4 poles have been slid through the shelf collar holes, set the shelf upright.



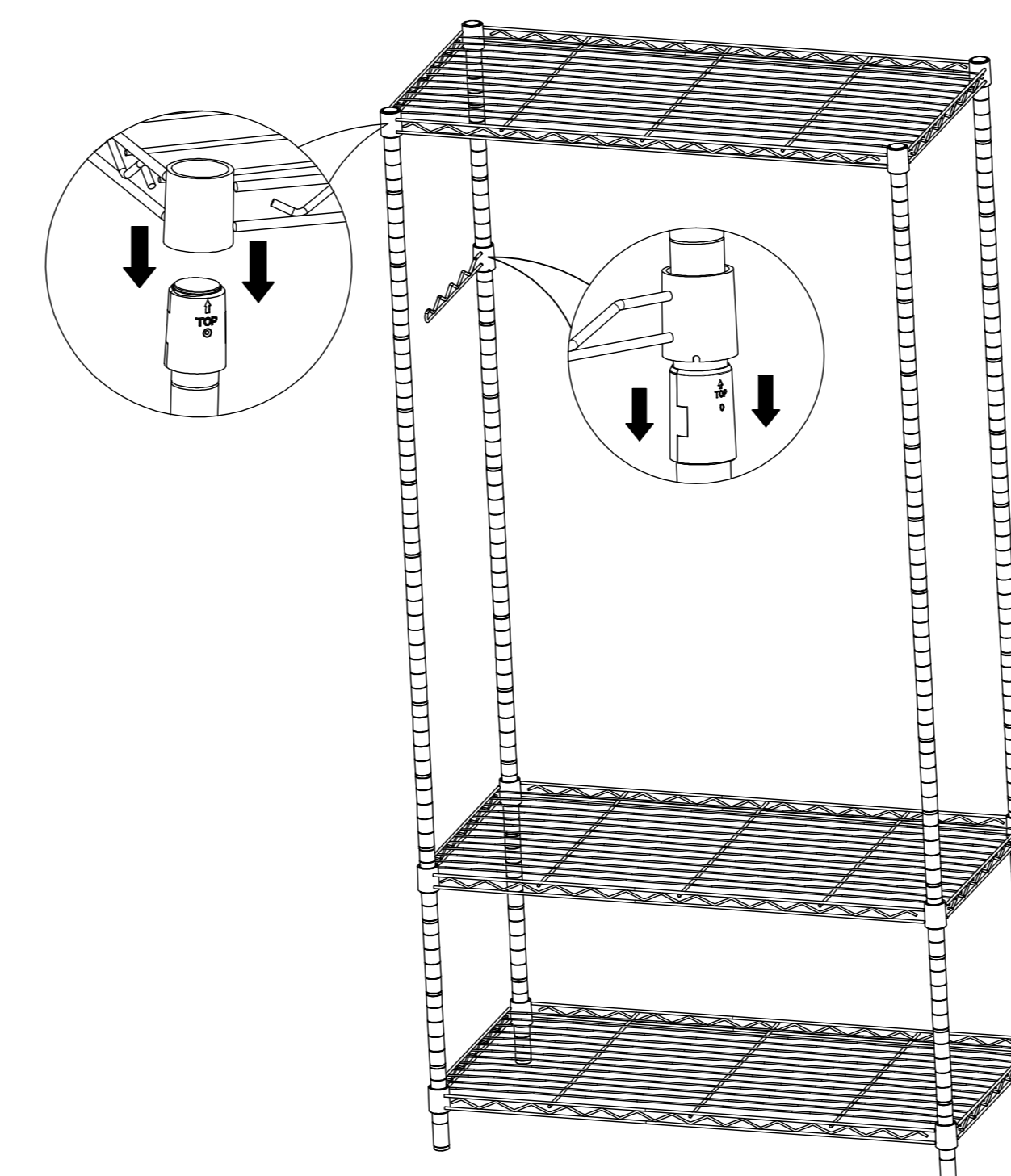
3 Snap plastic clips into the pole grooves at your desired position for next wire shelf. Slide down the shelf from top down onto the plastic clips.



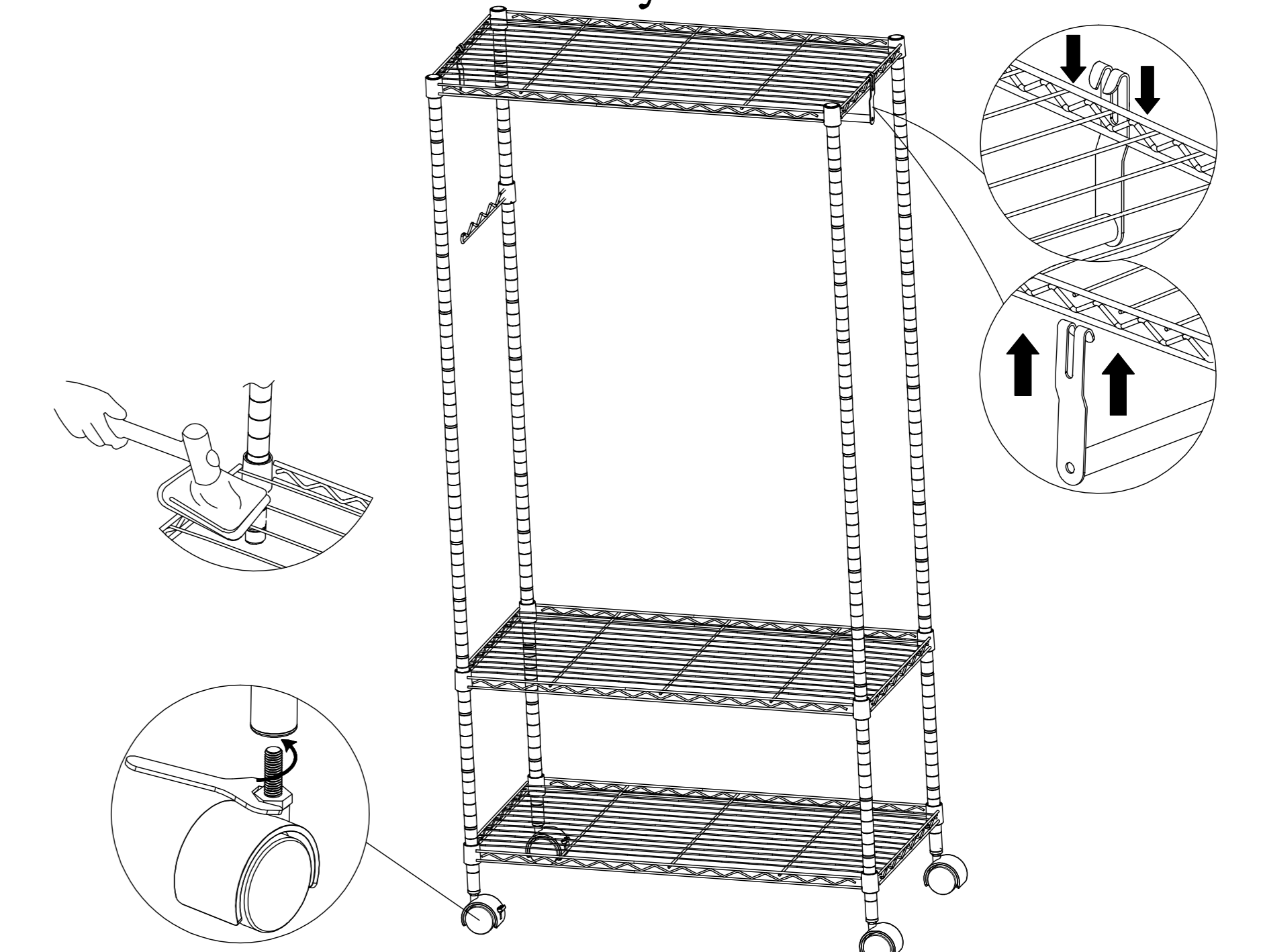
4 Screw Upper Poles (B) into lower poles by screw connectors which is already assembled on the upper poles.



5 Snap 2pcs plastic clips into one of upper pole as the photo, then put down the Swiveling Hook (E)



6 Hanging Clothes Hanger Rod (D) onto the top shelf frame by its hook brackets as the photo. Pushing firmly down on every shelf at corners by rubber mallet to ensure the shelf in a place over the plastic clips. At last, screw the Nylon Casters (G) into the bottom of lower pole at clockwise direction and fastened by wrench.



No.	A	B	C	D	E	F	G
Name	Wire Shelf	Upper Pole	Lower Pole	Clothes Hanger Rod	Swiveling Hook	Plastic Clip	Nylon Caster
Parts							
Quantity	3PCS	4PCS	4PCS	1PC	1PC	26PCS	4PCS