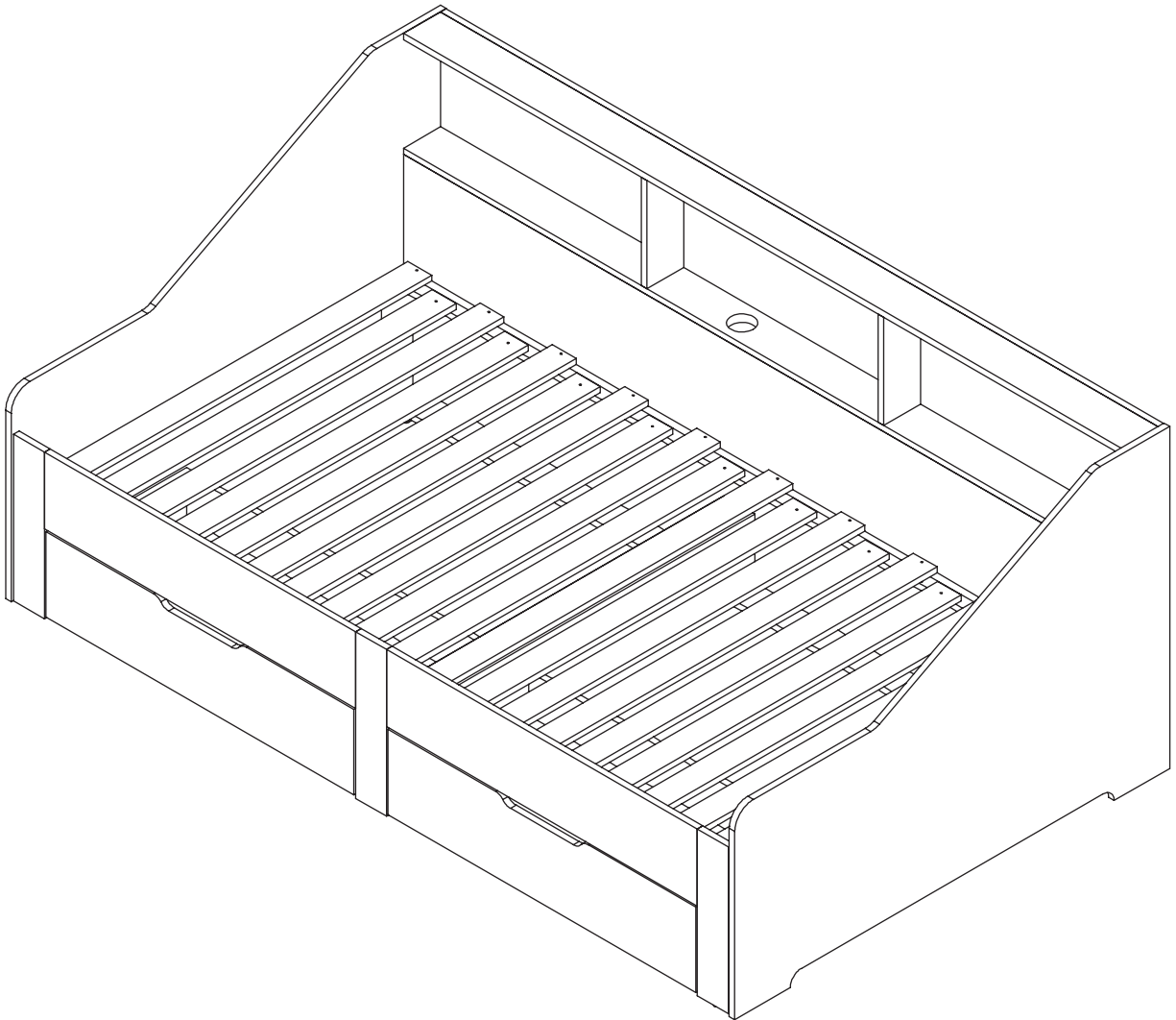
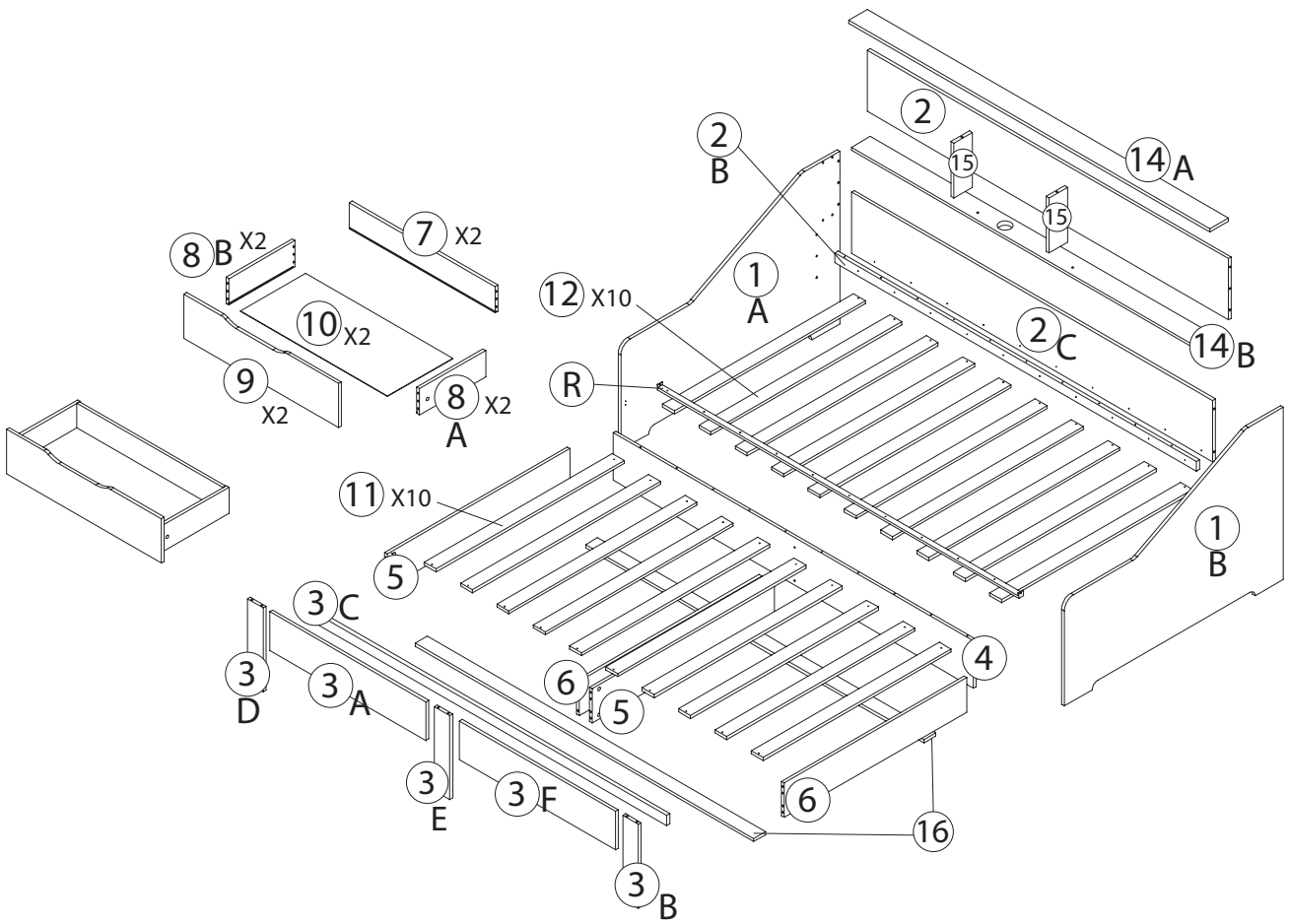


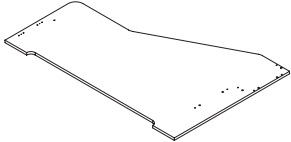
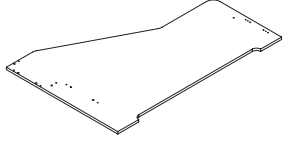
ASSEMBLY INSTRUCTIONS

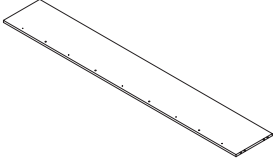
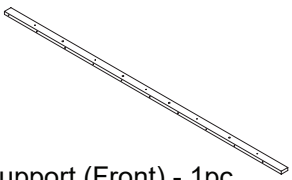
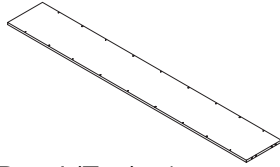
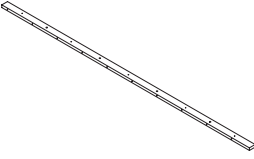
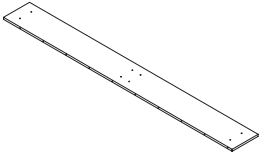
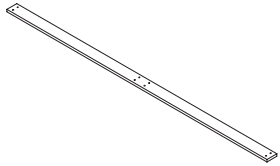
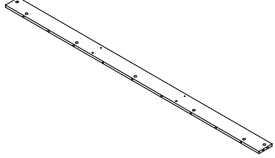
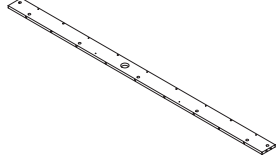
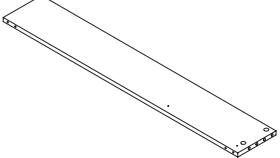
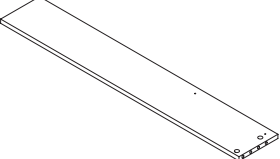


Detail View

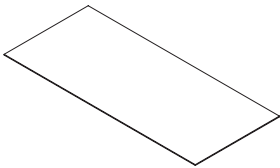
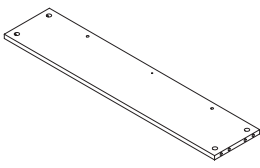
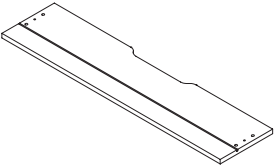
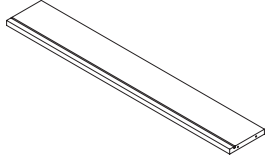
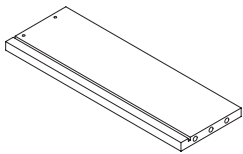
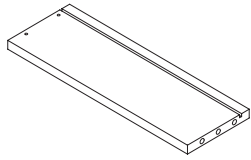
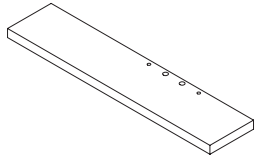
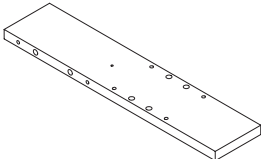
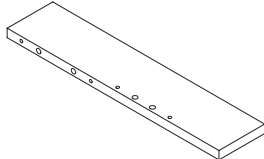
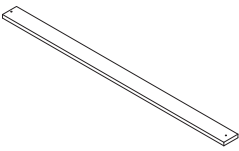
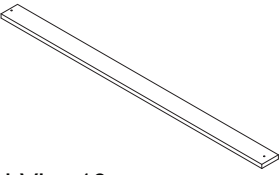
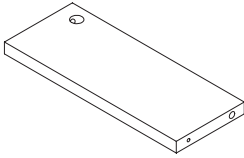
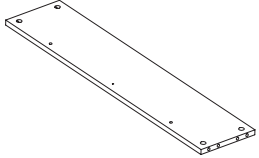


Part List

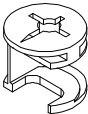

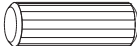
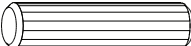
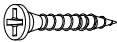
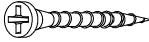
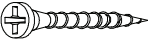
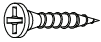
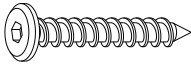
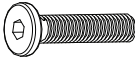
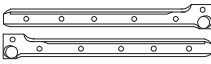
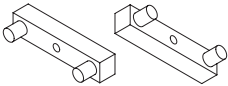
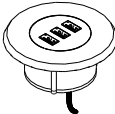

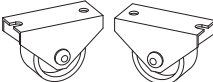
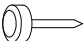


1A  Side Panel (Left) - 1pc	1B  Side Panel (Right) - 1pc
---	--

2C  Back Panel (Bottom) - 1pc	3C  LVL Support (Front) - 1pc	2  Back Panel (Top) - 1 pcs
2B  LVL Support (Back) - 1 pcs	4  Back Panel (Extended Bed) - 1 pcs	16  Nylon Caster Support - 2pc
14A  Shelve (Top) - 1pcs	14B  Shelve (Middle) - 1pcs	6  Side Panel (Extended Bed) - 2pcs
5  Side Panel (Extended Bed) - 2pcs		


Part List

<p>10</p>  <p>Drawer support - 2pc</p>	<p>3A</p>  <p>Front Panel (Left) - 1 pcs</p>	<p>9</p>  <p>Front Panel (Drawer) - 2 pcs</p>
<p>7</p>  <p>Back Panel (Drawer) - 2 pcs</p>	<p>8A</p>  <p>Drawer Side Panel (Right) - 2 pcs</p>	<p>8B</p>  <p>Drawer Side Panel (Left) - 2pc</p>
<p>3B</p>  <p>Front Panel Leg (Right) - 1pcs</p>	<p>3E</p>  <p>Front Panel Leg (Middle) - 1pcs</p>	<p>3D</p>  <p>Front Panel Leg (Left) - 1pcs</p>
<p>11</p>  <p>Front LVL - 10 pcs</p>	<p>12</p>  <p>Back LVL - 10 pcs</p>	<p>15</p>  <p>Shelf Divider - 2pcs</p>
<p>3F</p>  <p>Front Panel (Right) - 1 pcs</p>		

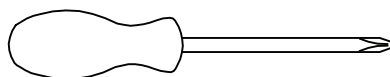
Hardware List

A  Cam Nut (49pcs)	B  Cam Bolt (49pcs)	C  Ø8*30mm Wood Dowel (52pcs)
D  Ø8*40mm Wood dowel (8pcs)	E  Ø4*30mm Chip Board Screw (10pcs)	F  Ø4*38mm Chip Board Screw (10pcs)
G  Ø4*25mm Chip Board Screw (40pcs)	H  Ø3.5*16mm Chip Board Screw (35pcs)	I  Ø6*40mm JCBCW Screw (24pcs)
J  Ø6*16mm JCBC Screw (2pcs)	K  Drawer Slide 14" (2sets)	L  PVC Door Stopper (4pcs)
M  USB Port (1set)	N  Allen Key M4 (1pcs)	O  Stop Nylon Caster (6pcs)
P  5/8" Glider with Nails (4pcs)	Q  Ø6 Washer (2pcs)	S  Ø8*20mm Wood Dowel (8pcs)

Hardware List


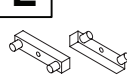


R  Rect 12 x 25 x 1940mm (1pcs)

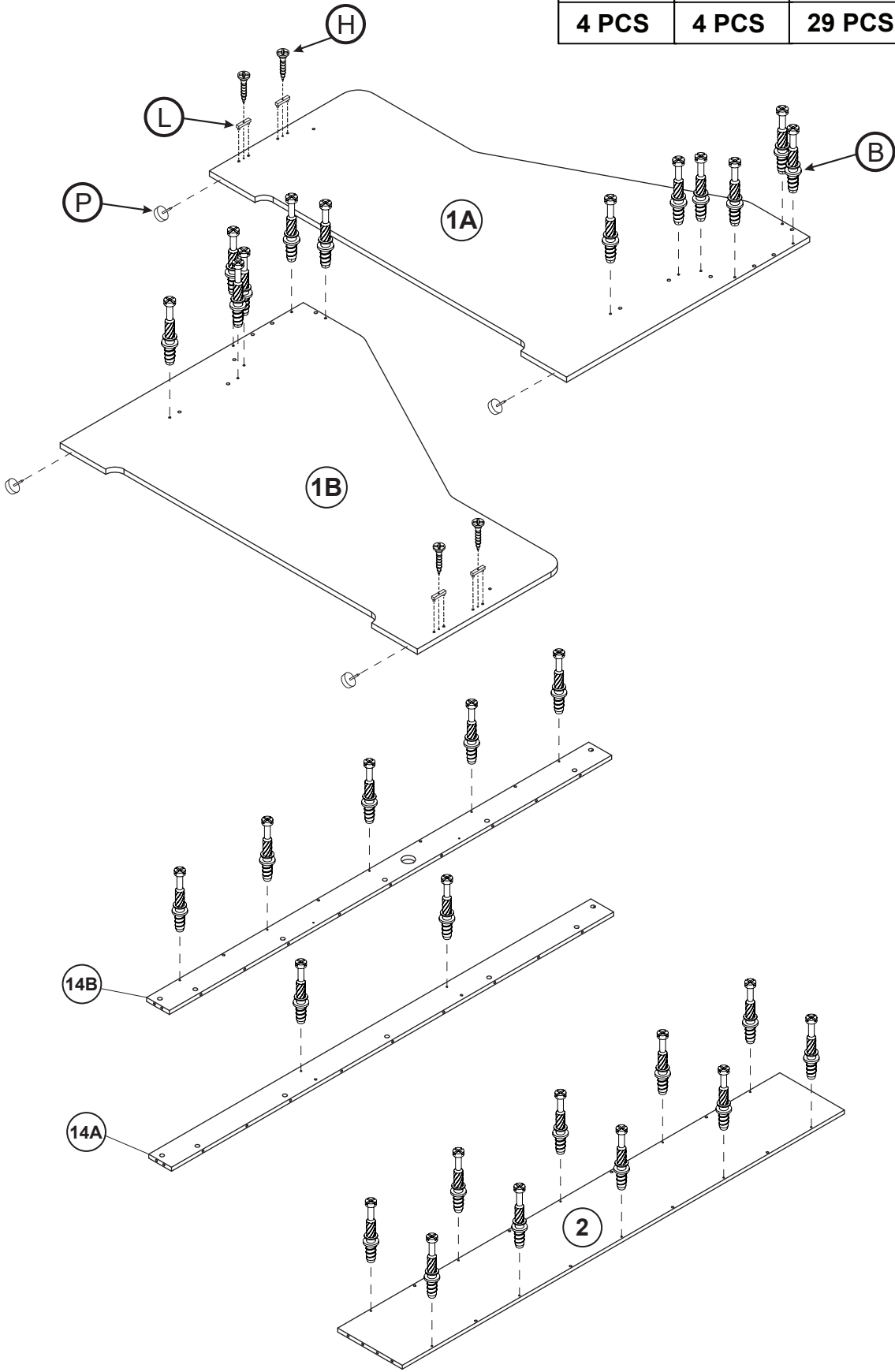
ASSEMBLY TOOLS REQUIRED (NOT INCLUDED)



PLEASE BE CAREFUL DO NOT DAMAGE THE HOLE POSITION WHEN YOU USE POWER TOOLS !

STEP 1:

H		L		B		P	
4 PCS		4 PCS		29 PCS		4 PCS	

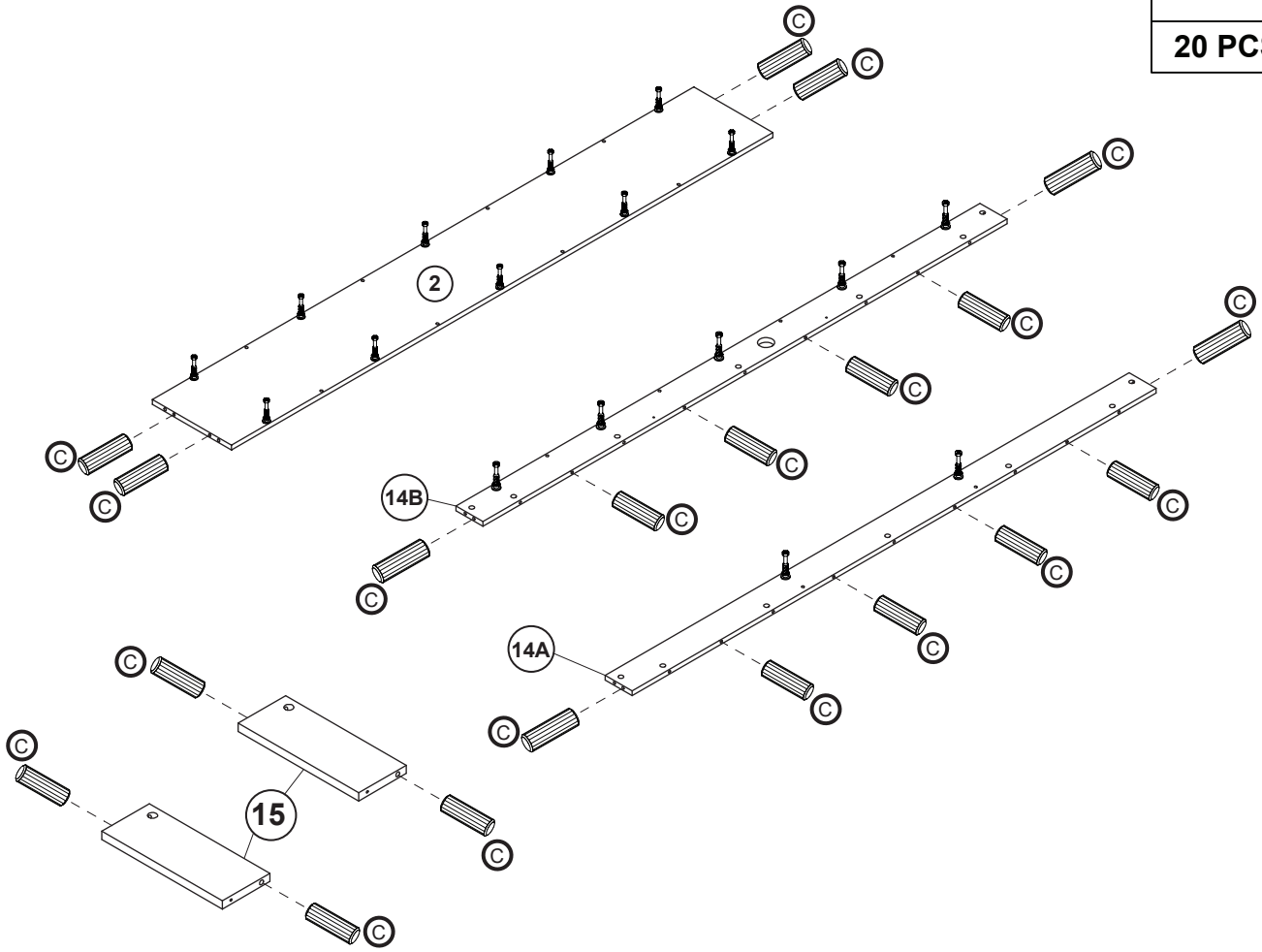


STEP 2:

C



20 PCS



STEP 3:

S

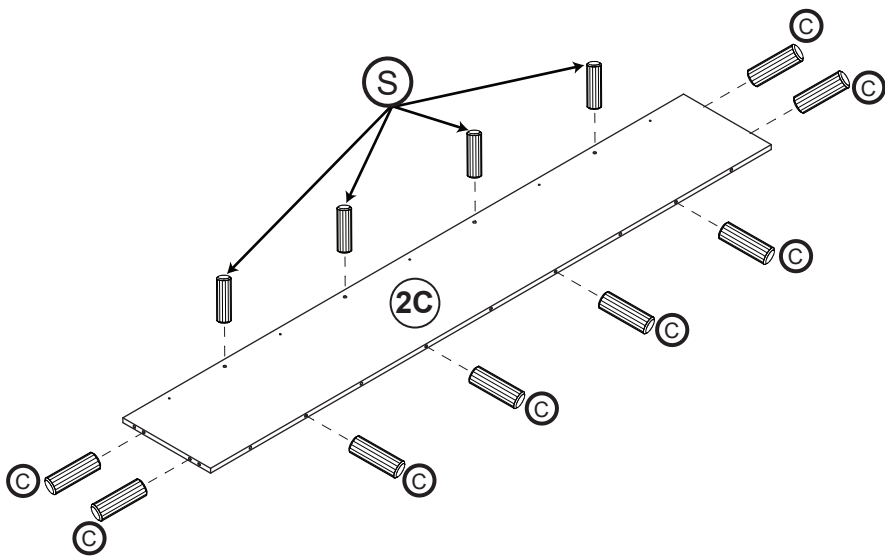


4 PCS

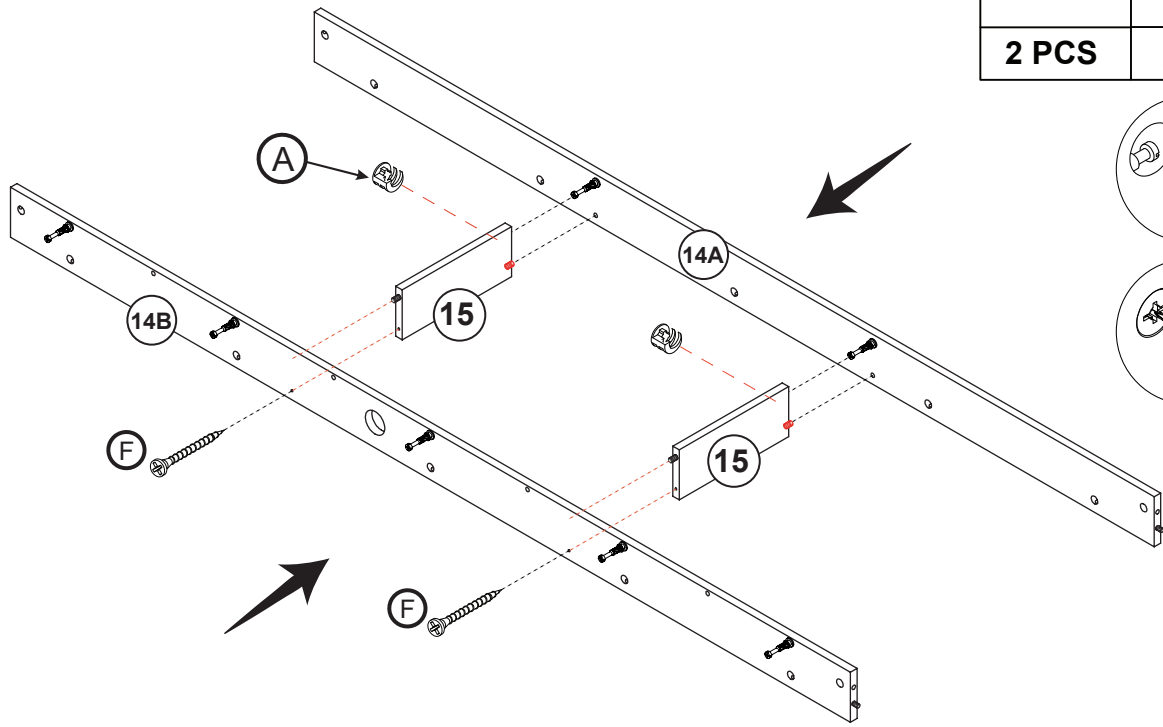
C

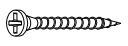



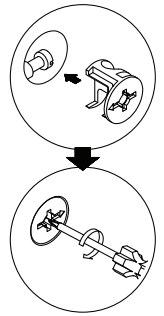
8 PCS



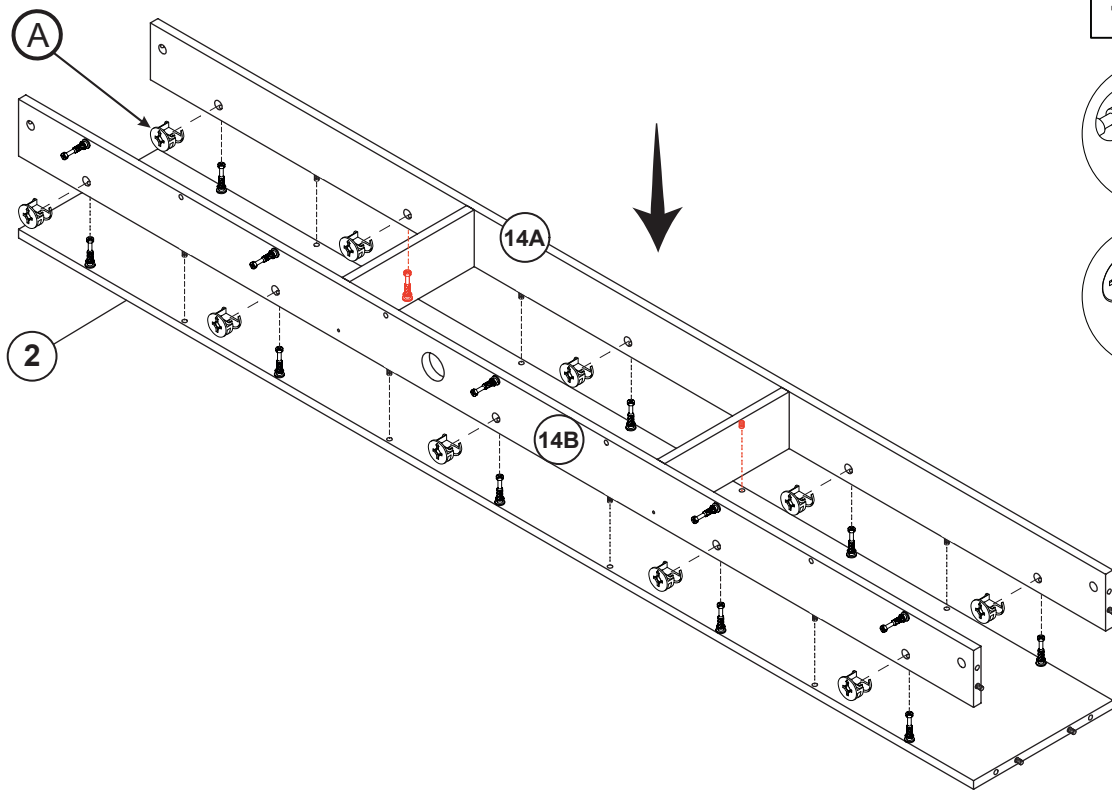
STEP 4:




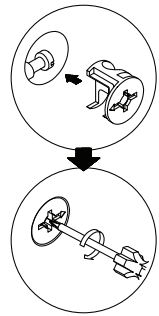
F	A
	
2 PCS	2 PCS



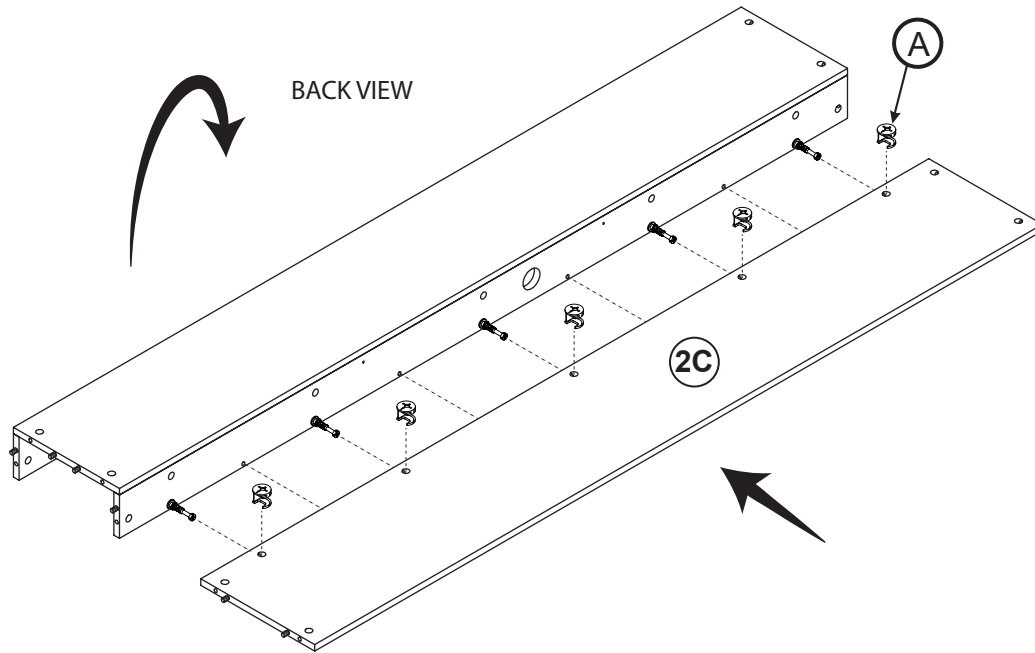
STEP 5:



A

10 PCS



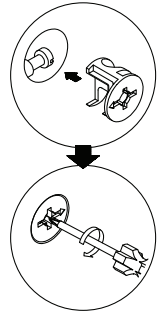
STEP 6:



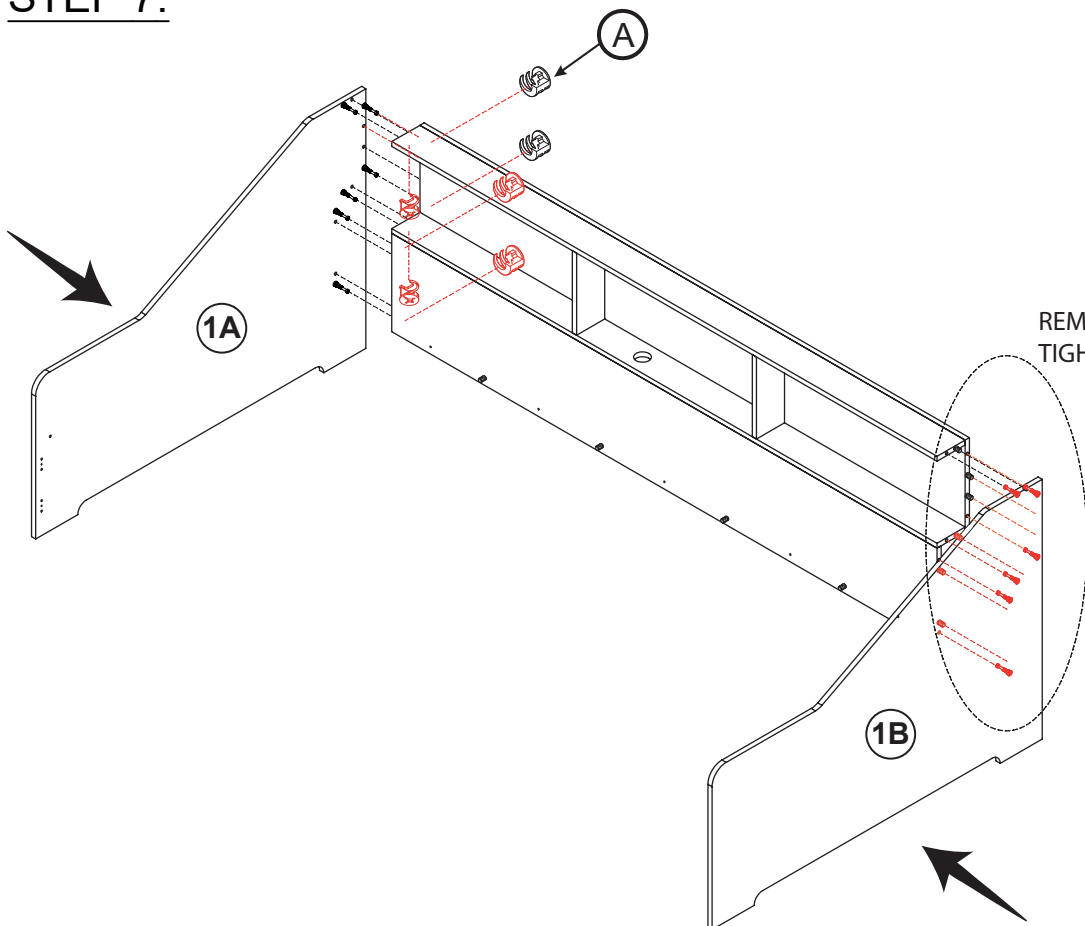
A



5 PCS



STEP 7:

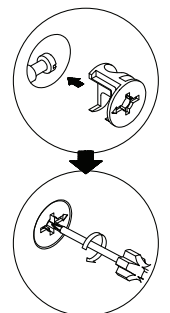


A




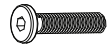
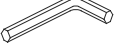


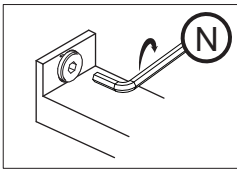
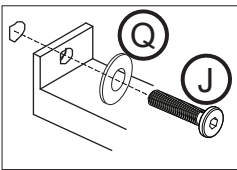
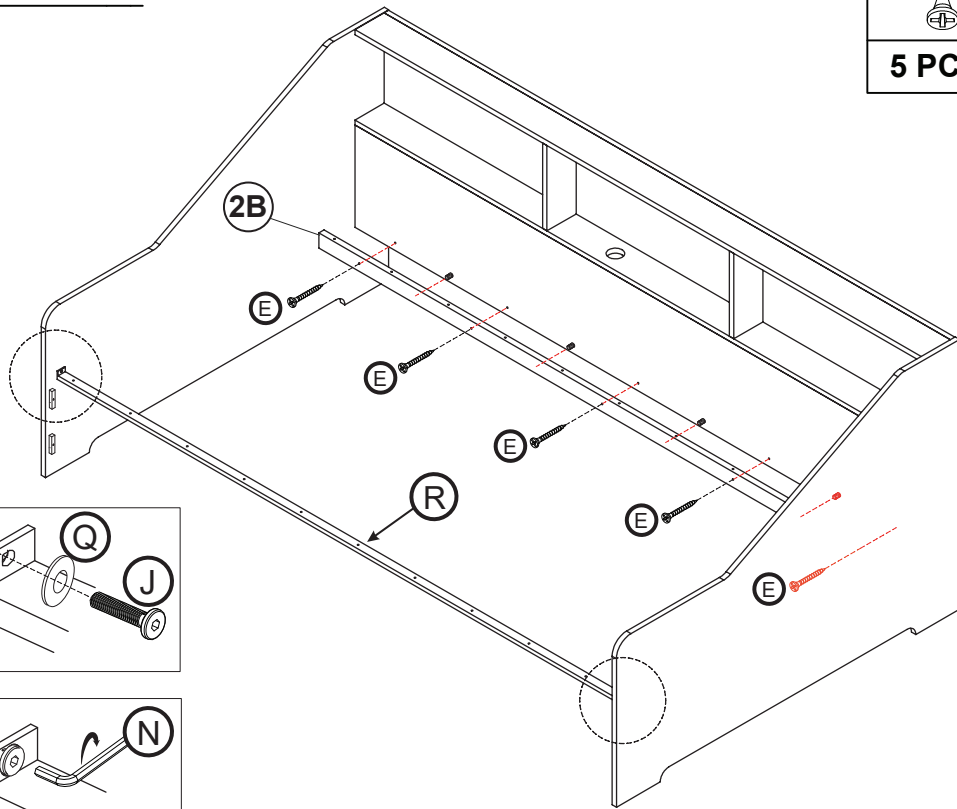
12 PCS

**REMARK!
TIGHTEN BOTH SIDES**

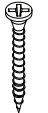


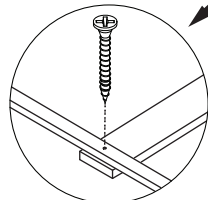
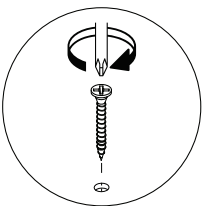
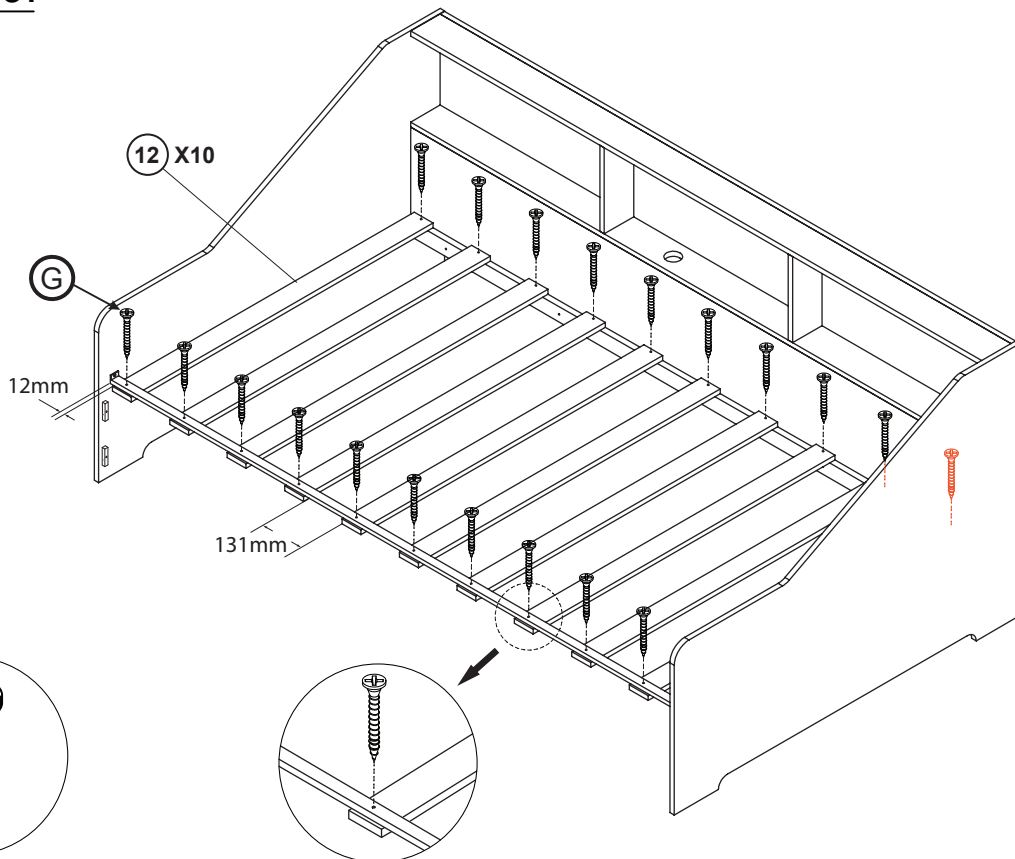
STEP 8:

E 	R 	Q 
5 PCS	1 PCS	2 PCS
J 	N 	
2 PCS	1 PCS	





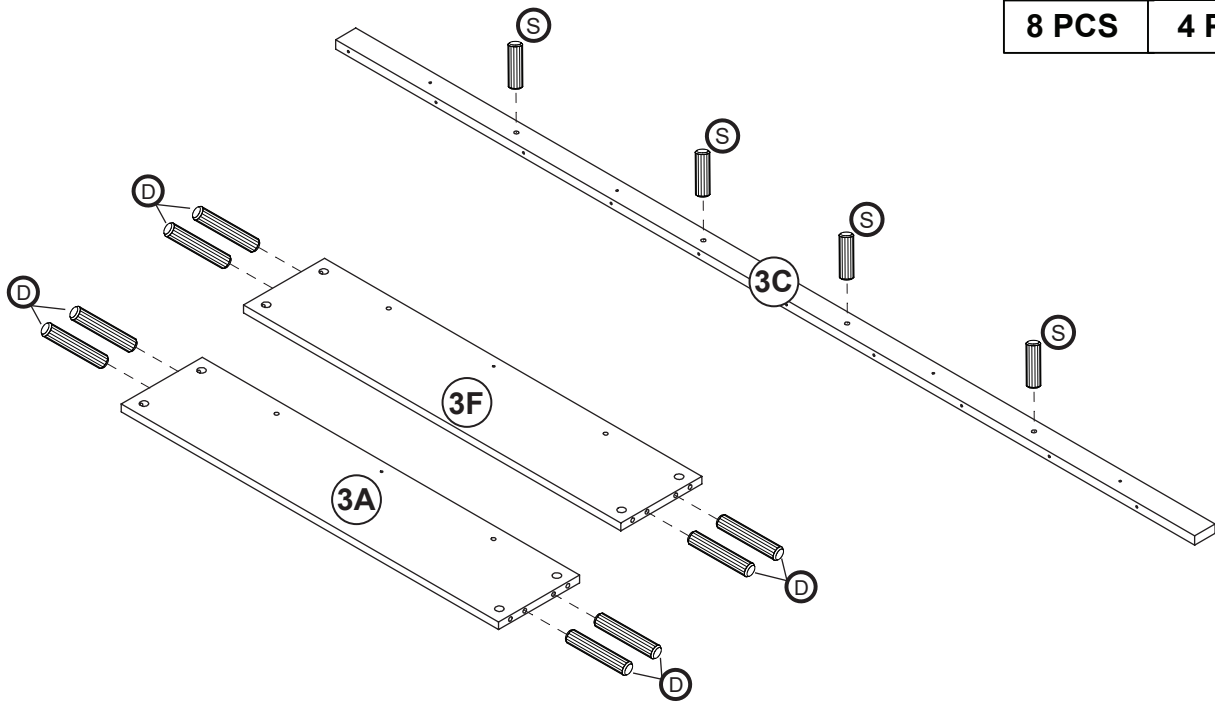
STEP 9:

G 
20 PCS




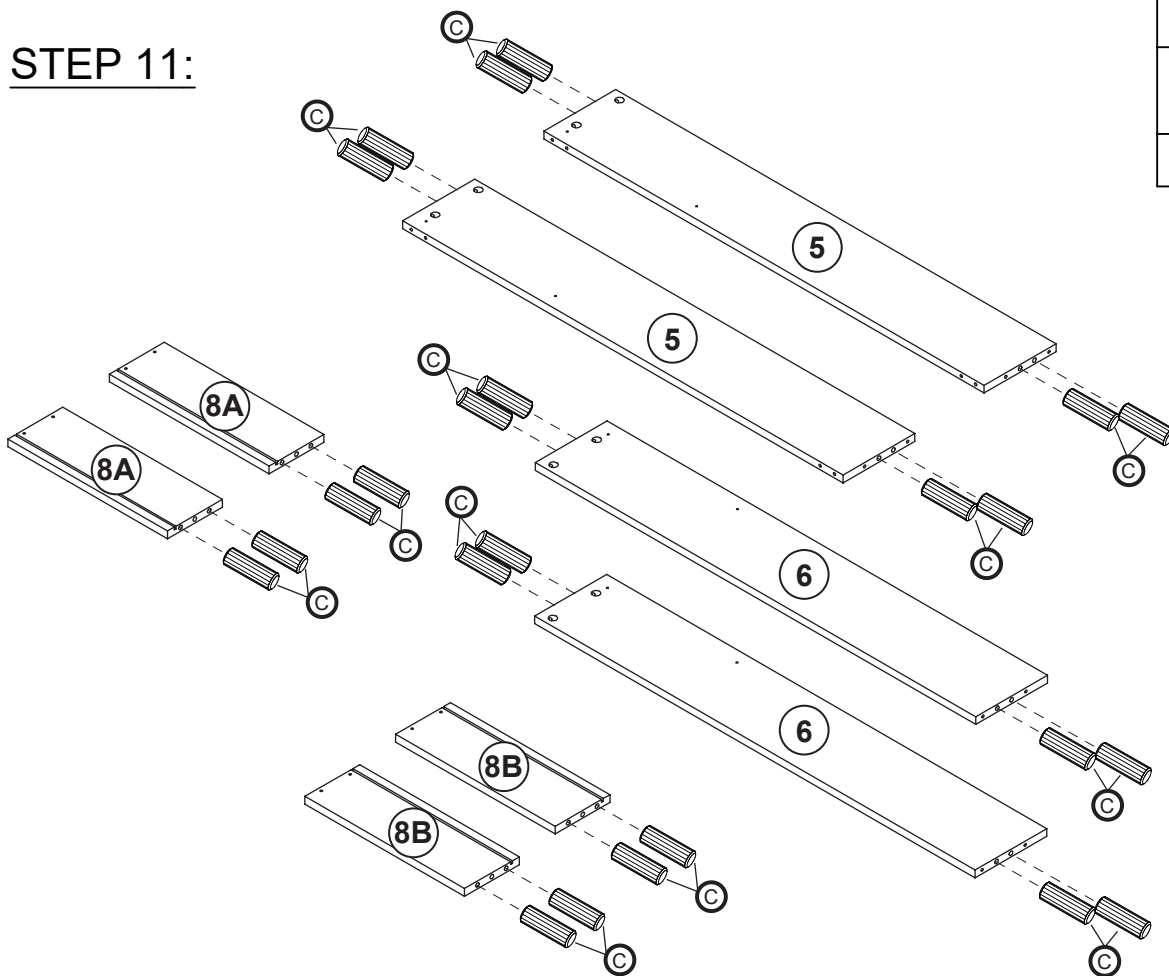
STEP 10:

D		S	
8 PCS		4 PCS	

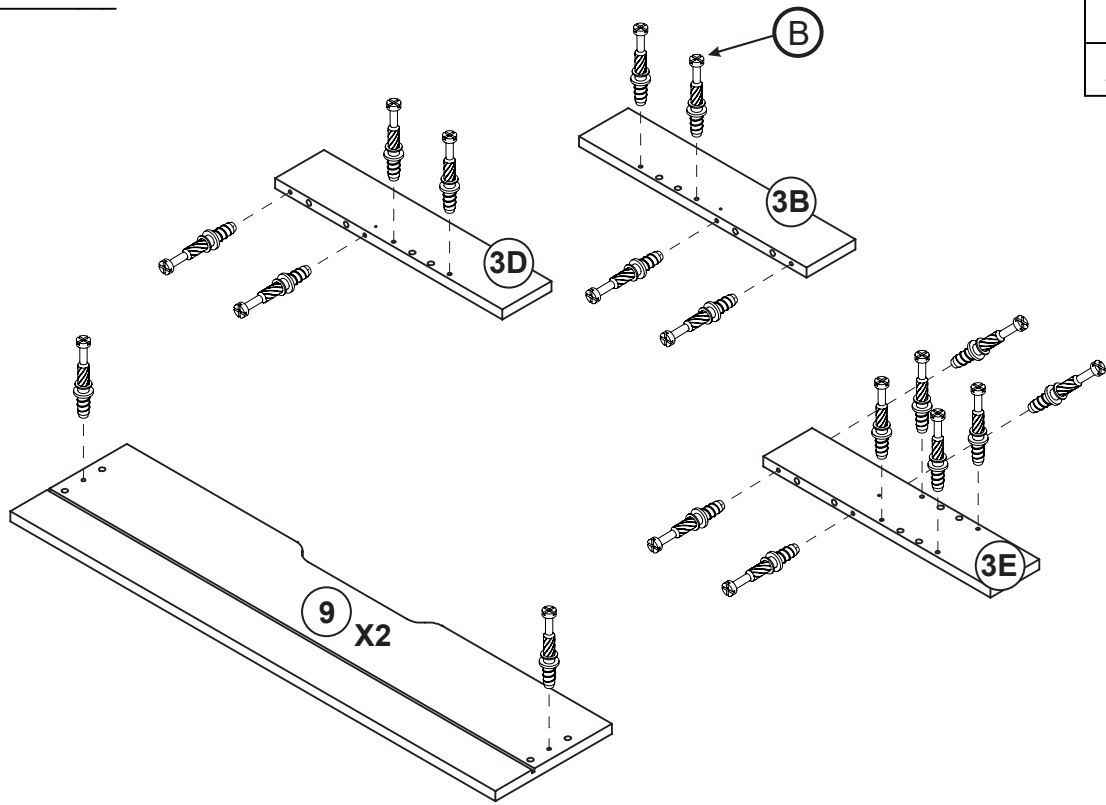


STEP 11:

C	
24 PCS	



STEP 12:



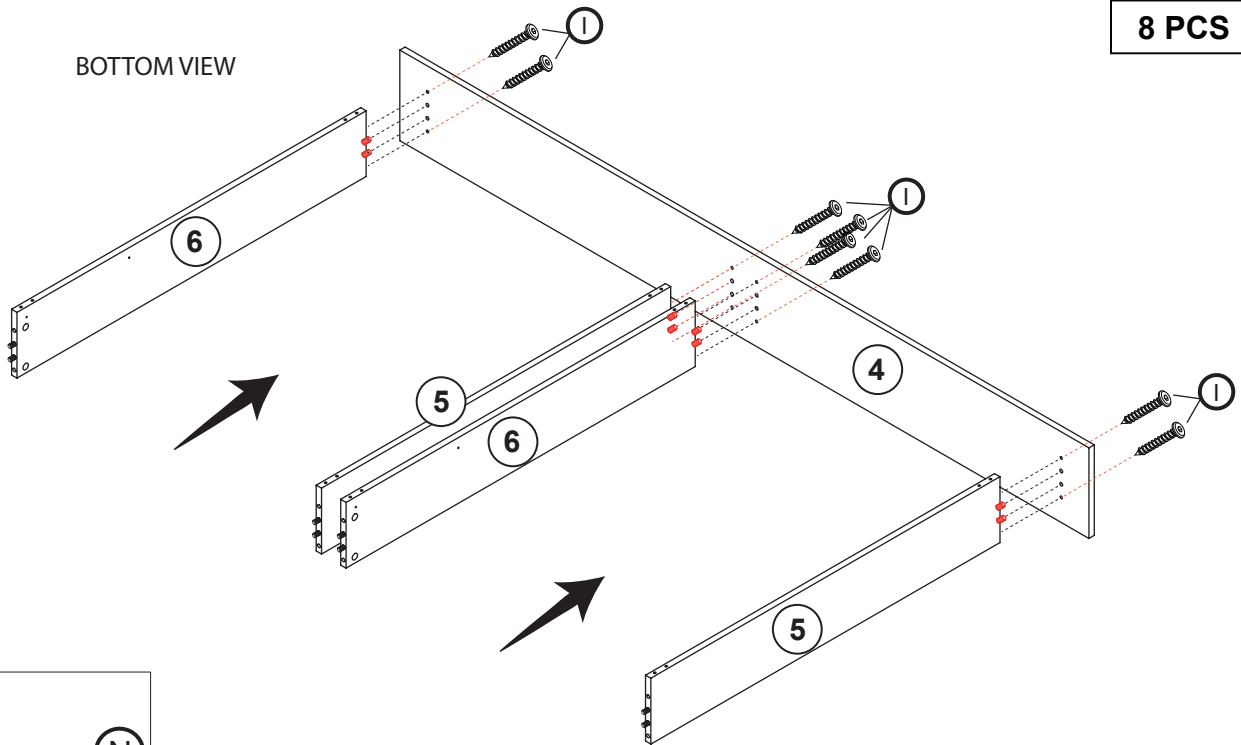
B



20 PCS

STEP 13:

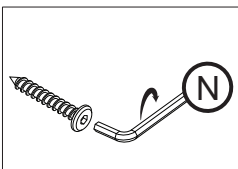
BOTTOM VIEW



I

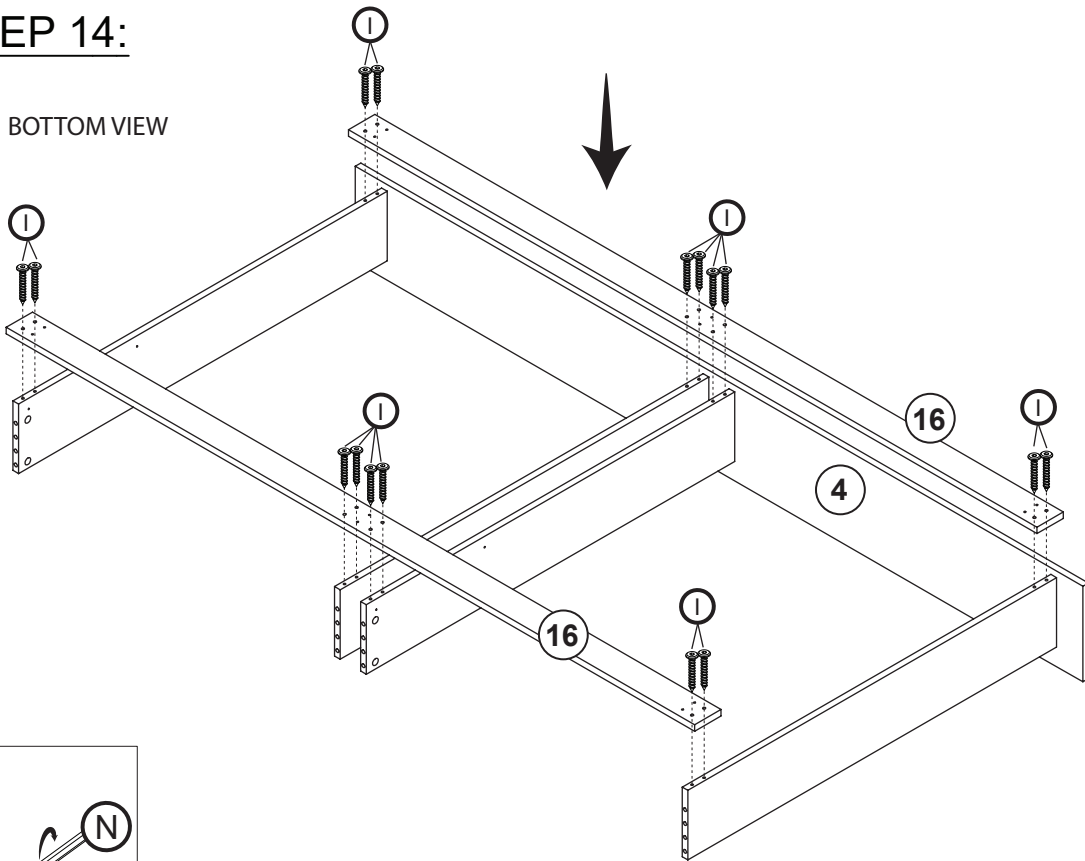



8 PCS

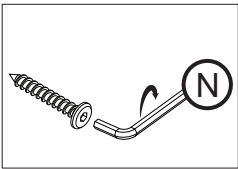


STEP 14:

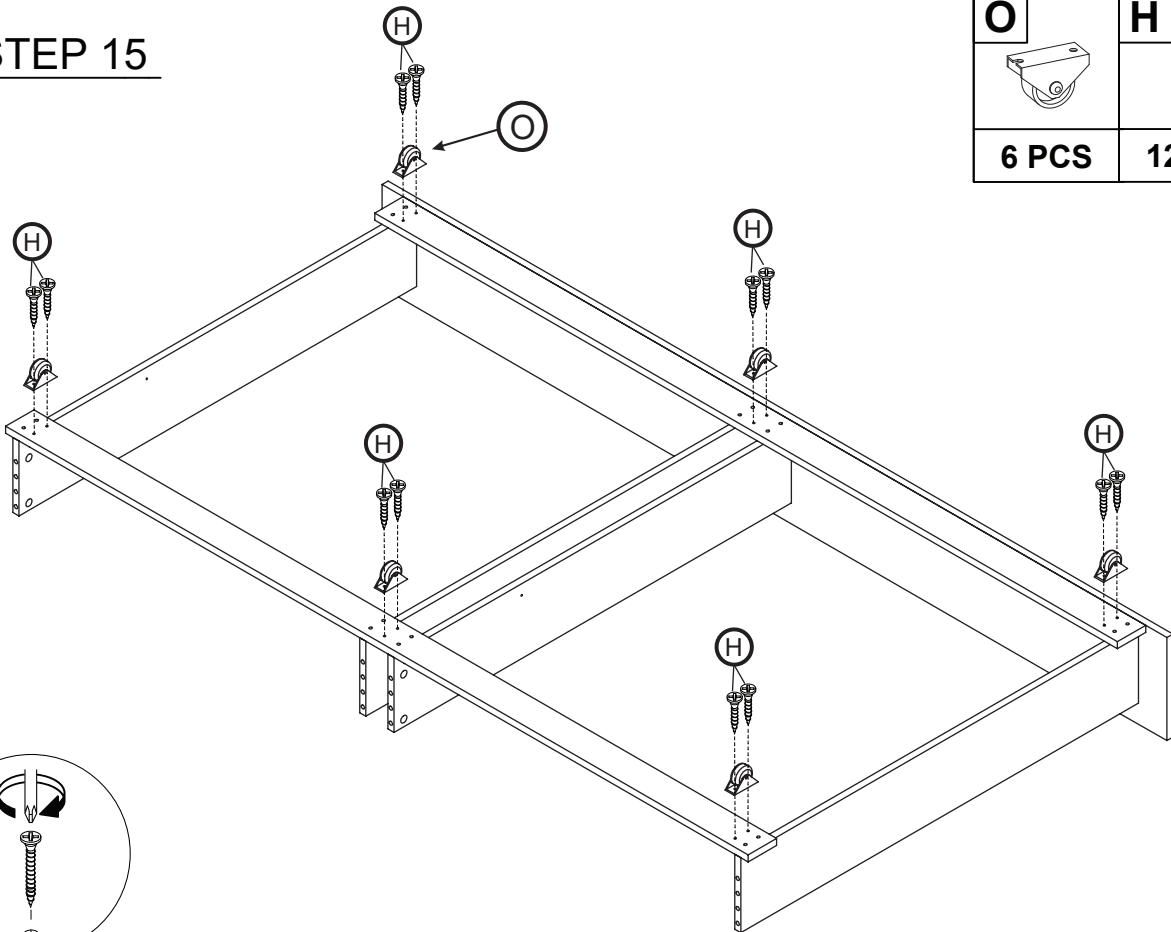
BOTTOM VIEW

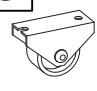



I	
16 PCS	



STEP 15



O		H	
6 PCS		12 PCS	

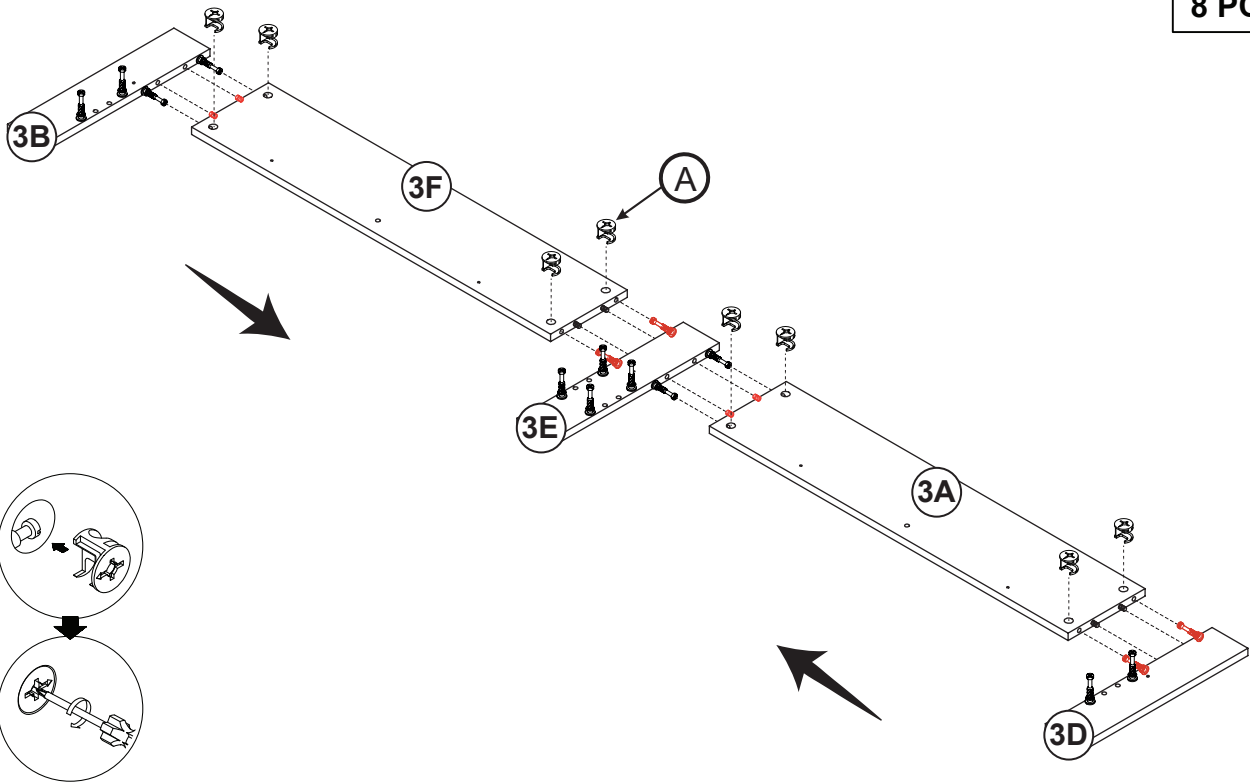


STEP 16:

A



8 PCS

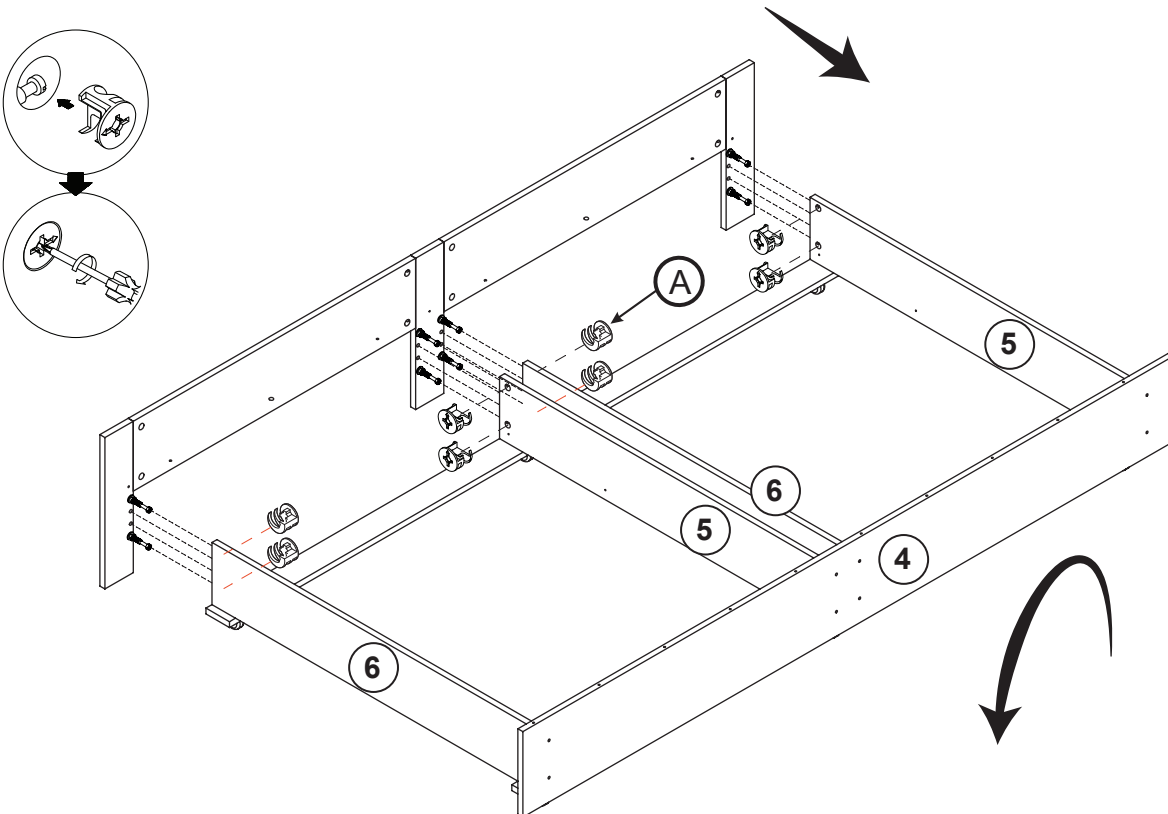


STEP 17:


A

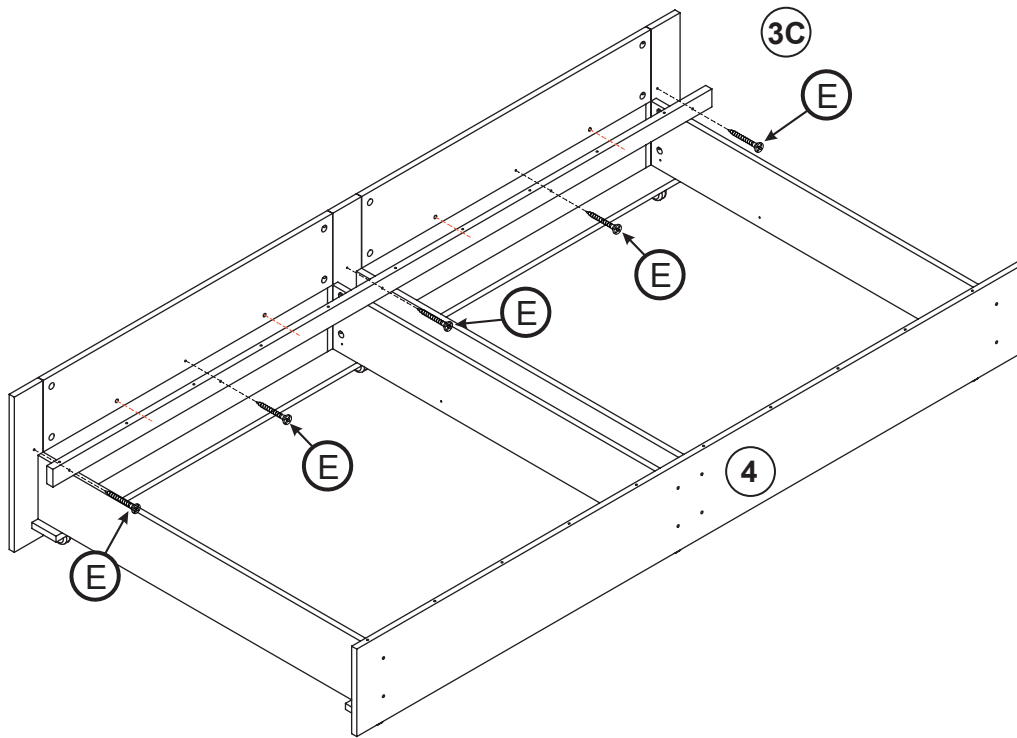


8 PCS


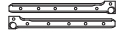


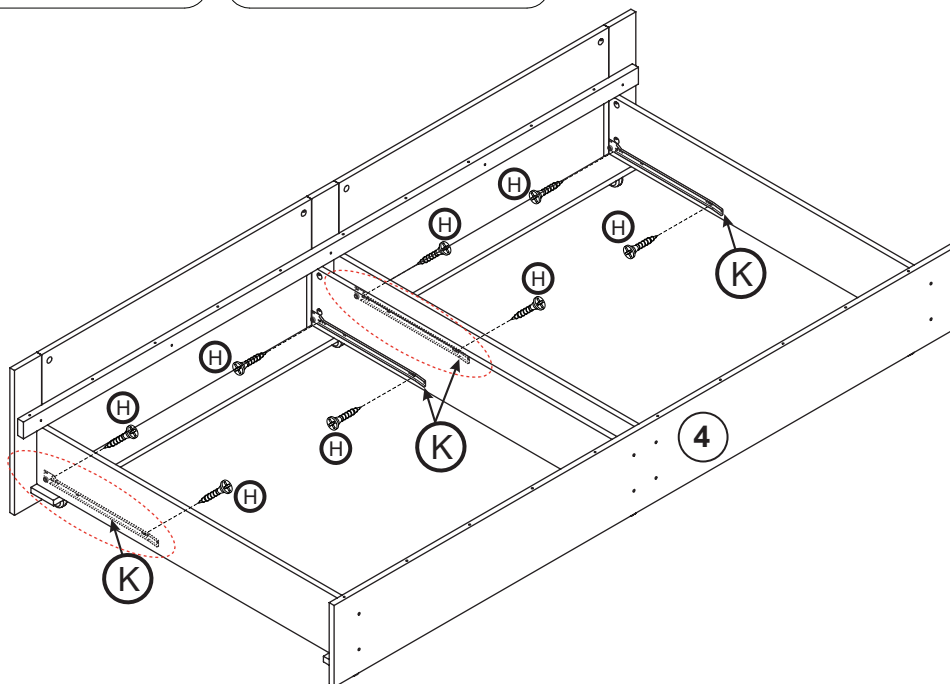
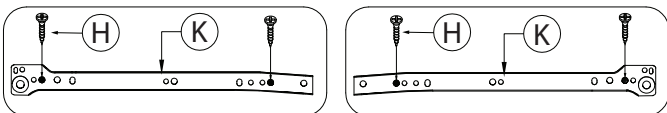
STEP 18:

E	
5 PCS	



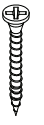
STEP 19:

H		K	
8 PCS		2 SETS	

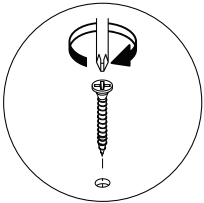
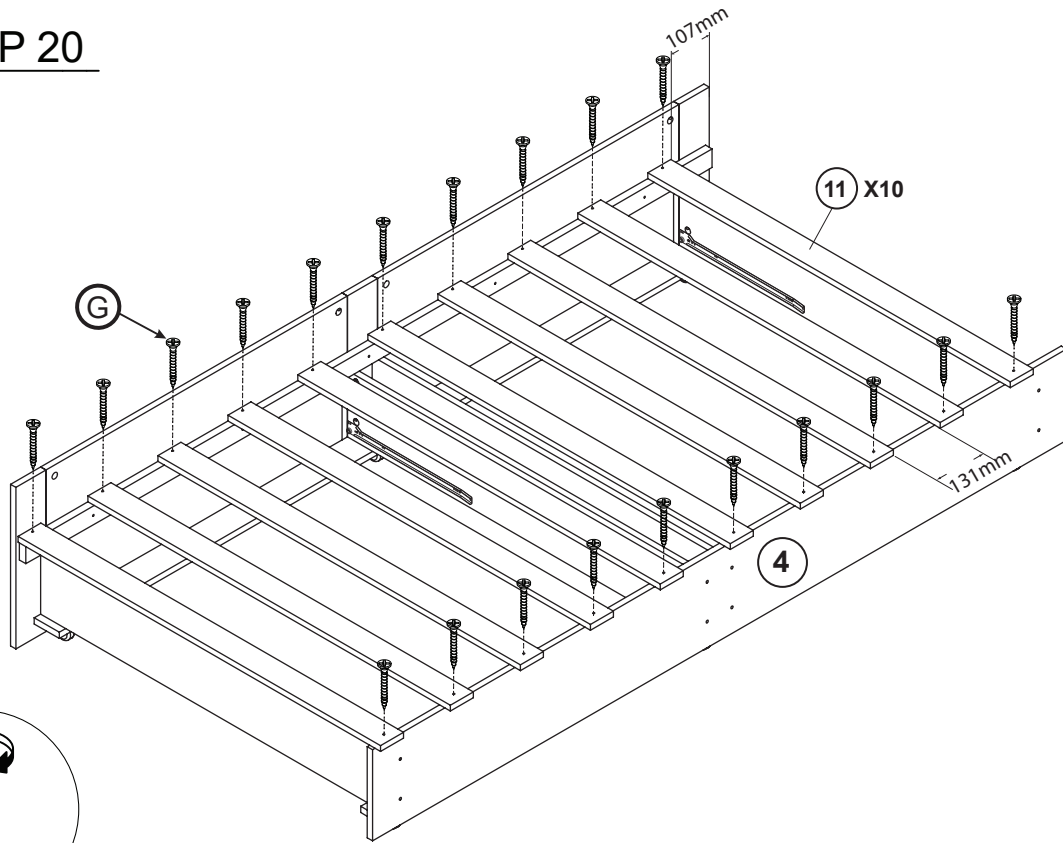


STEP 20

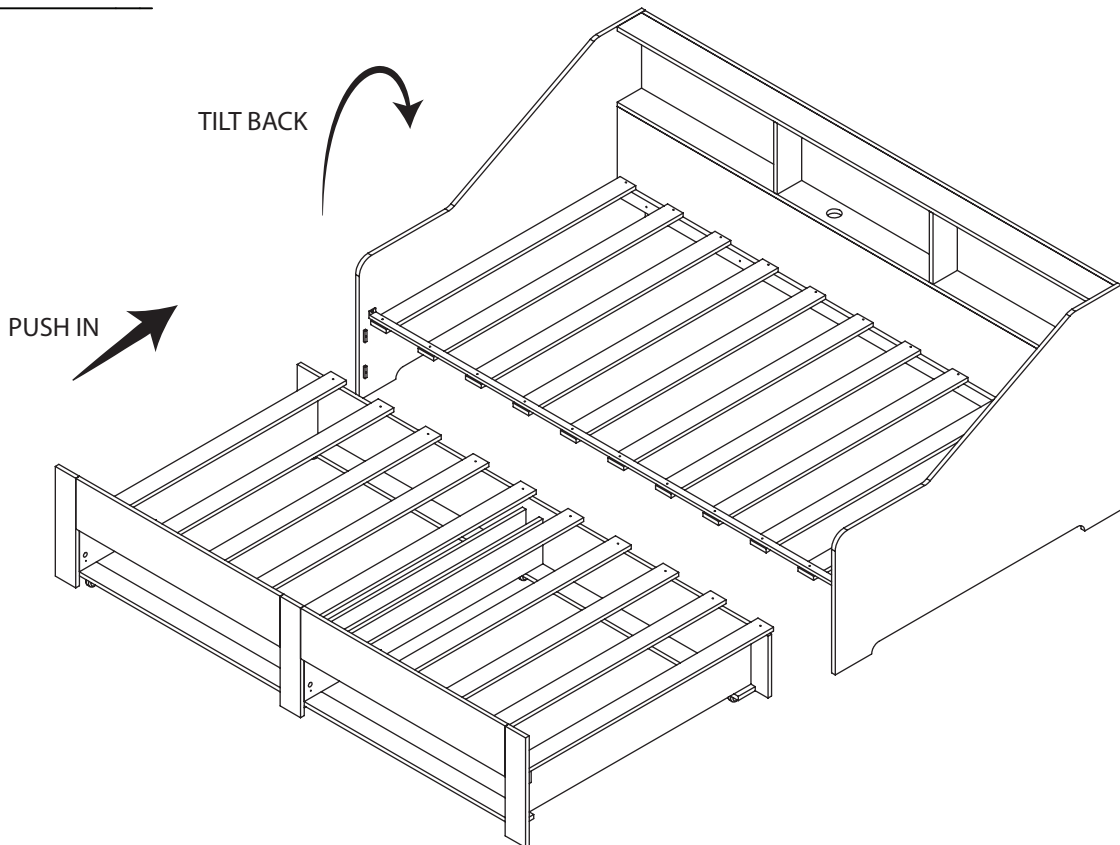
G



20 PCS



STEP 21:



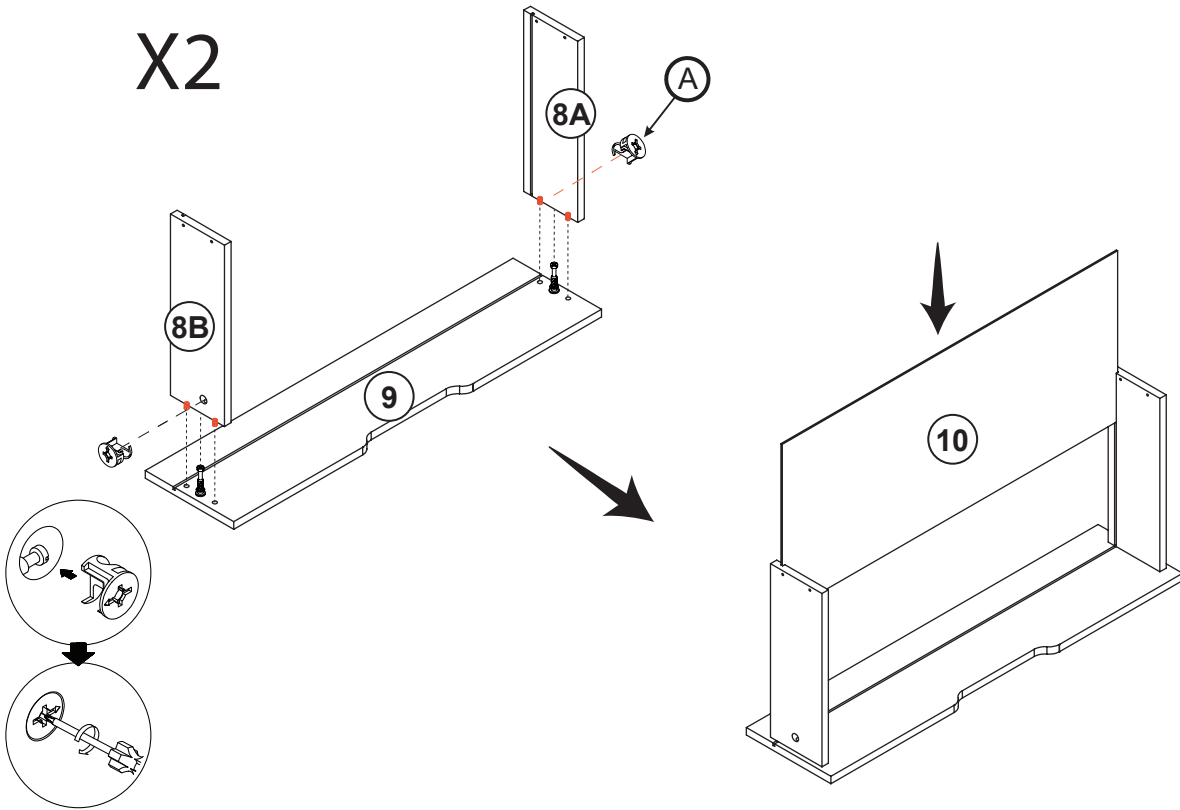
STEP 22:

A

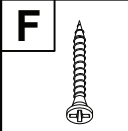
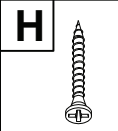


4 PCS

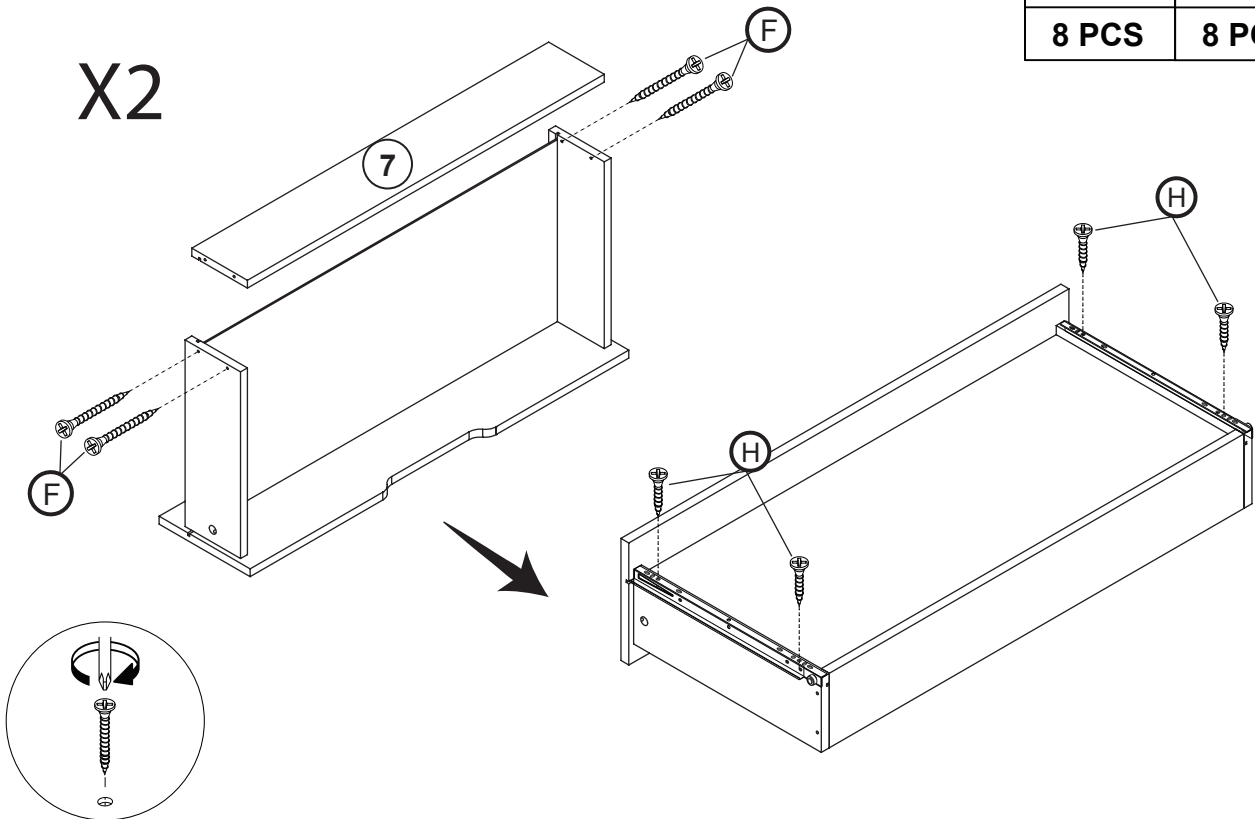
X2



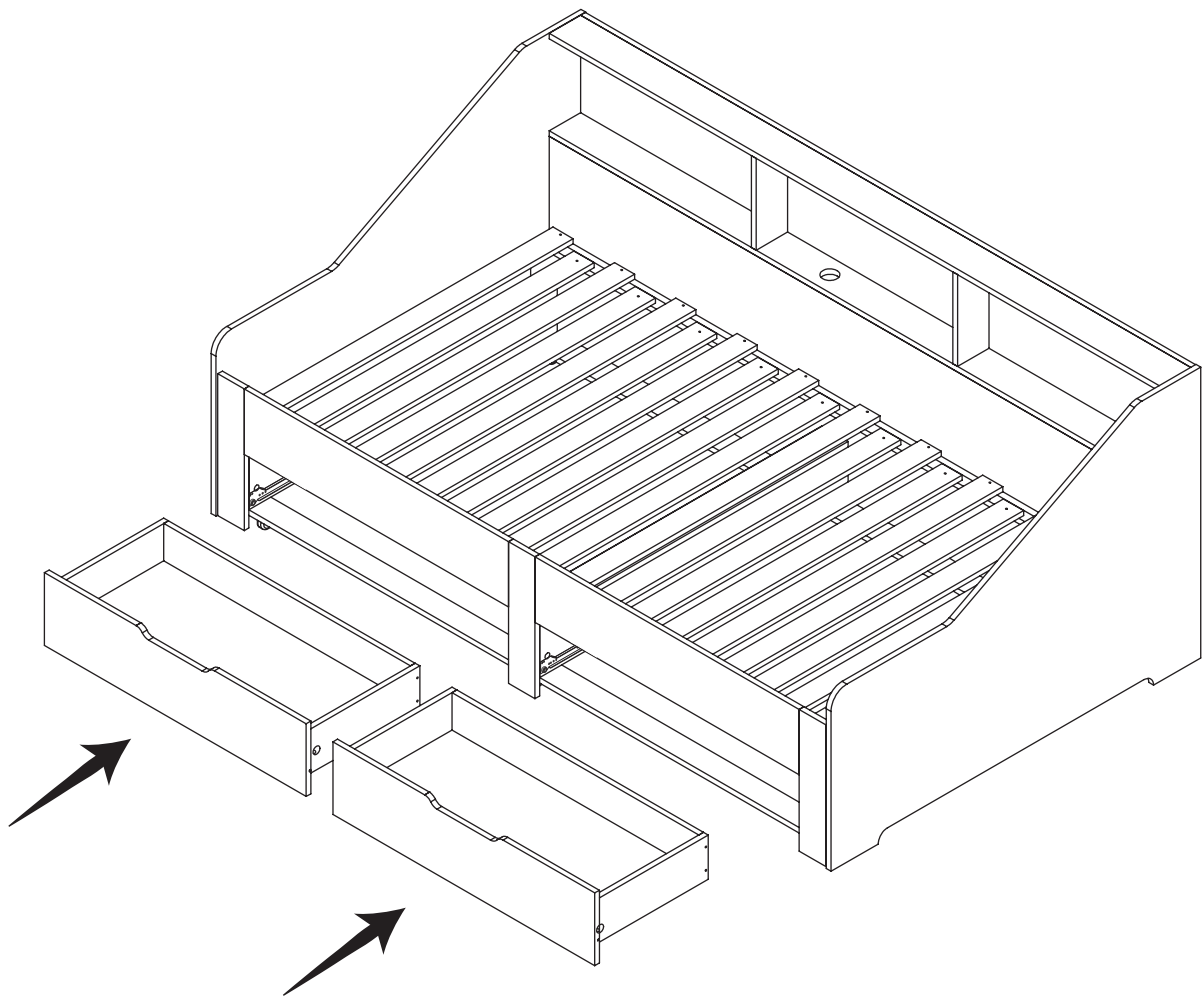
STEP 23



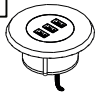
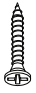
X2

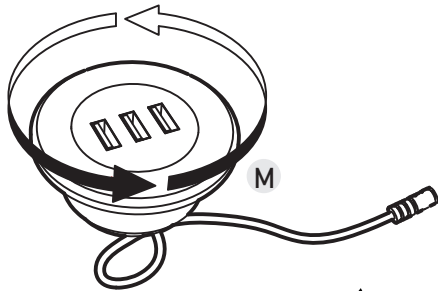


STEP 24



STEP 25:

M		H	
1 SET		3 PCS	



FINISH!!

