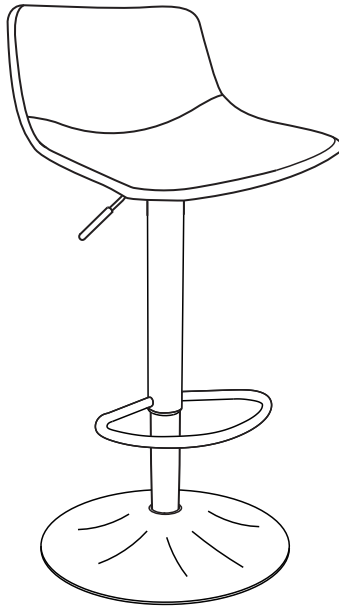


SOOHOW

Assembly Manual Bar Chair

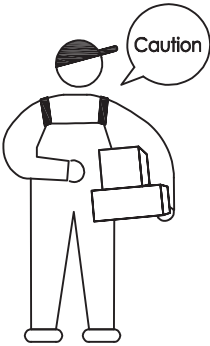
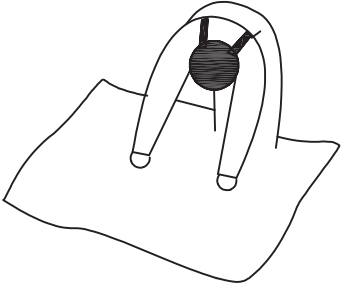
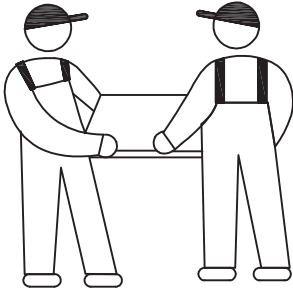
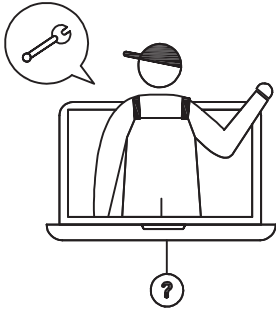
BC009



Please read this manual carefully before any operation and keep it properly for future use.

Customer service: ecservice@isunon.com

Installation Notes

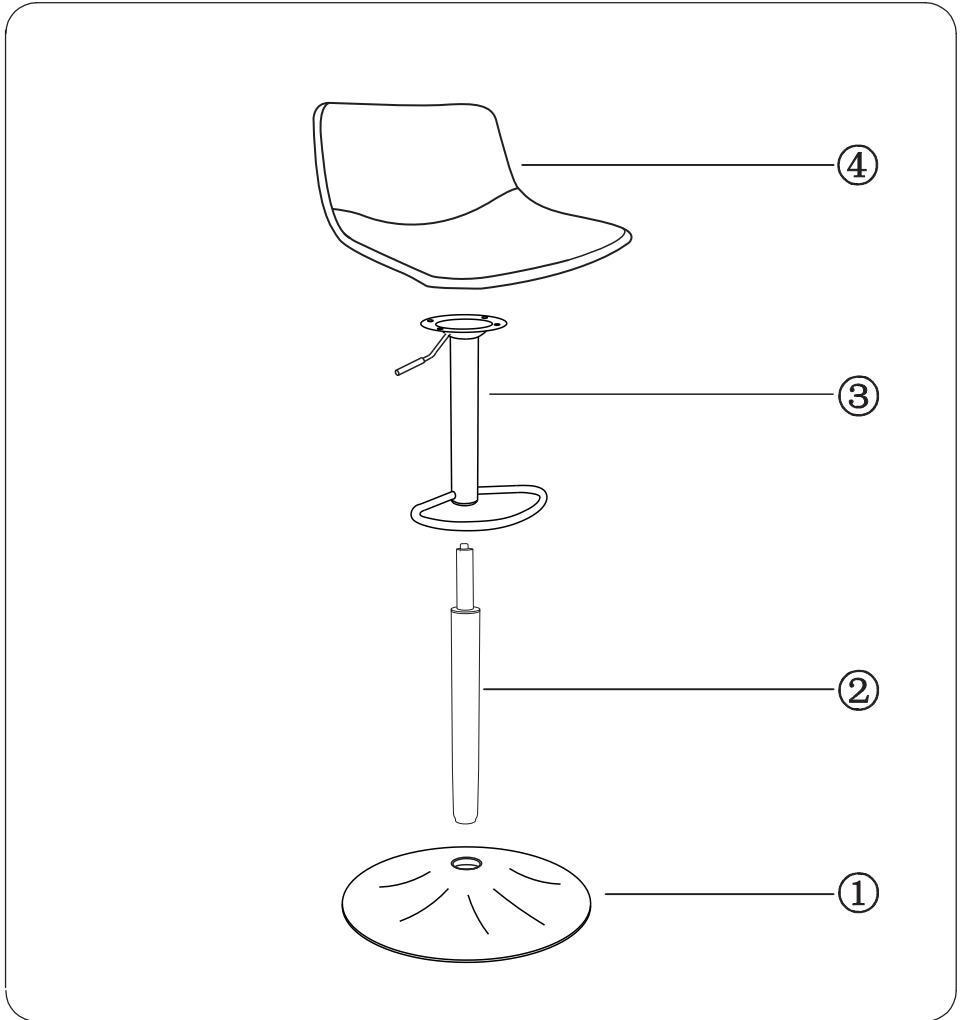
 <p>Caution</p>	<p>● Handle with care, protective layer is required</p> 
<p>● Safe carriage, multi people are needed</p> 	<p>● In case of any doubts, contact us.</p> 

CONTACT US

If you have any problems or concerns about your purchase, please get in touch with our customer service (ecservice@sunon.com) as soon as possible and we will do everything we can to help.

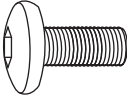

You will be highly appreciated if you can put your order number in the email title so that we can deal with it efficiently.

Exploded View



No.	Component	PCS
1	Round base	1
2	Gas lift	1
3	Mechanism with the footrest	1
4	Seat cushion	1

Components list

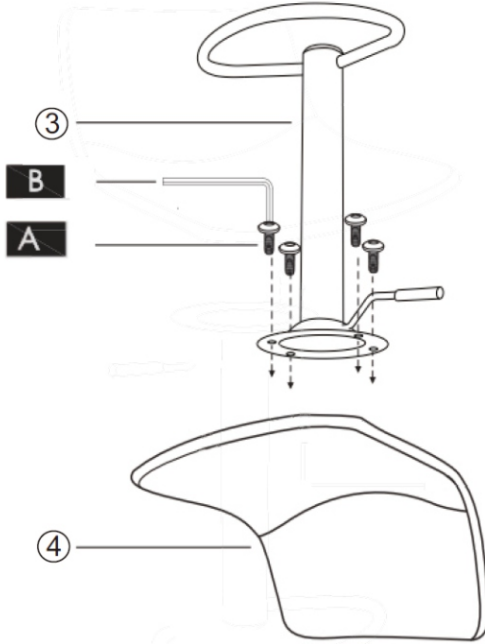
A			B		
					
Bolt	M6x16	4+2	Allen wrench	5#	1


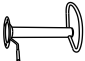


Note: The number after "+" sign indicates the extra piece(s).

Assembly Instruction

STEP 1

Securely attach the mechanism to the bottom of the seat using bolts (A) and the Allen wrench. Do not fully tighten the bolts until all of them are in the correct holes. This will allow you to make slight adjustments to their positions during the assembly process.



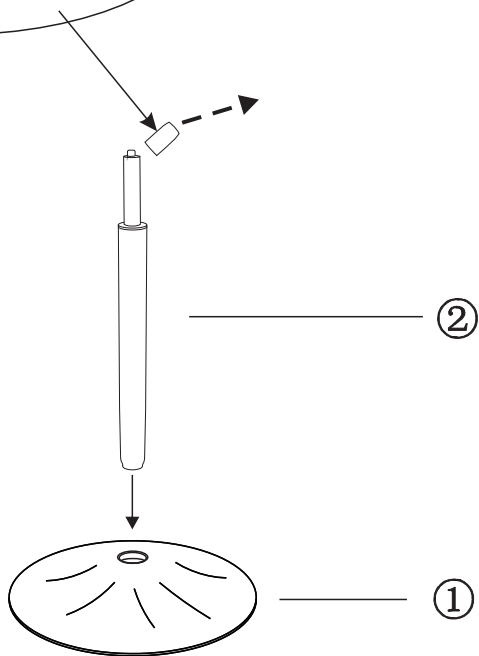
- | | | | |
|---|---|------------------------------|------|
| ④ |  | Cushion | (X1) |
| ③ |  | Mechanism with the foot rest | (X1) |
| A |  | Bolt M6x16 | (X4) |
| B |  | Allen wrench 5# | (X1) |

Assembly Instruction

STEP 2

Insert the gas lift into the central hole of the round base. Ensure that you remove the cap on the top of the gas lift (if it exists), otherwise, you will not be able to adjust the height of the seat.

Cap(if exists, please remove it before proceed the assembly. otherwise, you will not be able to adjust the height of the seat.



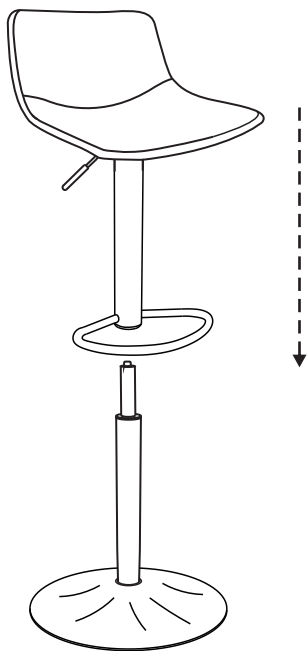
②  Gaslift (X1)

①  Round Base (X1)

Assembly Instruction

STEP 3

Position the seat cushion with the mechanism onto the top of the gas lift and firmly press it down.

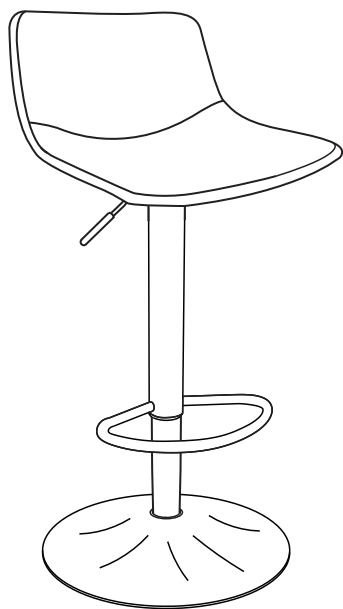


Assembly Instruction

STEP 4

Finish the assembly and enjoy the bar chair.

Done!



Warning

- Please keep the product away from children while assembling.
- Do not let children play or jump on the product.
- Do not stand on the item or use it as a step ladder.
- Prior to use, please check for any loosening screws or parts.
- Make sure that each screw and part is correctly installed and securely fastened.

Care and Maintenance

- Use a soft clean cloth that will not scratch the surface when dusting.
- There's no need to use furniture polish, you need to, test it first in an inconspicuous area.
- Using solvents of any kind on your furniture may damage the finish.
- Never use water to clean your furniture as it may cause damage to the finish.
- Liquid spills should be removed immediately.
- Gently blot the spill with a soft, clean cloth to avoid rubbing.

Further advice about the furniture care

- It is best to keep your furniture in a climate-controlled environment.
- Extreme temperatures and humidity changes can cause fading, warping, shrinking and spitting of wood.
- We recommend keeping furniture from sunlight exposure to avoid possible surface damage.
- Proper maintenance and cleaning at home will extend the life of your purchase.
- Following these important and helpful tips will help retain your furniture's performance even it ages.
- Periodically (every 90 days), make sure the screws are fully tightened.

Warmly after-sales service

- Please check all the hardware and furniture before assembling.
- If anything is missing, please feel free to contact us.If you only leave a message on the platform, we may not be able to effectively solve the problem.
- Timely communication helps us understand your situation and provides you with the best shopping experience.

Have a question for our company?

Thank you for supporting our company.

- If you have any issues with your purchase, please feel free to let us know.
- We will always do our best to work out a solution that you will be happy with.

Return Policy

Length of return period:

Items can be returned within 30 days of receipt of shipment.

Who is responsible for the return shipping fee?

We will cover the return shipping fees if:

1. The item received is damaged or defective.
2. The wrong item was shipped to you.
3. The item received is materially different from what was described on the product page.

If the return is for any other reason, the customer will be responsible for the return shipping fees.

However, we always hope to work with you to find a better solution instead of a return. Please don't hesitate to contact us.

If the return is due to reasons other than the ones listed above, the customer will be responsible for the return shipping fees, if:

1. You are not satisfied with the product(s) after receiving the box(es).
2. You no longer need the product(s), but you have already received the box(es).
3. You purchased the product(s) by mistake, but you have already received the box(es).
4. Before FedEx picks up the package, please make sure that everything is returned to the original packaging and that the prior opening will not affect the reselling of the product.

You can try to get Amazon prepaid labels for UPS express return. Alternatively, we can provide prepaid shipping labels after you provide photos of the package before and after repackaging. Just stick the label on the box and call FedEx to pick it up.

When will I be refunded?

The refund will be issued once the goods have been received and processed at our warehouse. If you have any questions, please don't hesitate to contact us, and we will work with you to find a solution that ensures your satisfaction.