

## NOTICE

- \*Please make sure that you have all parts indicated and they are in good condition before you begin assembly of this item. Refer to part list and hardware list below for guidance.
- \*This item should be assembled on a soft surface to prevent scratching the finish during assembly.
- \*This item may require periodic tightening.
- \*If you are having difficulty, our friendly Customer Care team is always here to help. Please email [customersupport@safavieh.com](mailto:customersupport@safavieh.com)






## PREPARATION

- \*Before beginning assembly of product, make sure all parts are present. Compare parts with part contents list and hardware contents list.
- \*If any part is missing or damaged, do not attempt to assemble the product.
- \*Estimated Assembly Time: 15 minutes.
- \*Tools Required for Assembly (included): Hex Key

## CARE AND MAINTENANCE

Always use felt pads under all articles to prevent discoloration or softening of the lacquer. Plastic and rubber bases on items can discolor wood. Wipe up spills immediately and avoid common hazards such as hot dishes, harsh solvents and abrasive. Cleaning should be done with a soft lint free cotton cloth dampened with water or furniture polish. On highly used surfaces we recommend applying a quality paste wax which should be used on a regular basis to provide additional protection from scratches and spills. How often you apply the wax depends on how much wear the furniture receives.

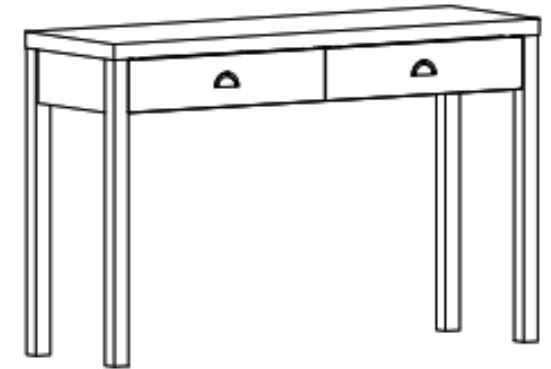
### Parts List and Hardware List

PIECE	DESCRIPTION	PICTURE	QUANTITY
A	Top		1X
B	Legs		2X
HW1	JCBC Bolt: M6 x 0.5 x 35 mm		8X
HW2	Flat Washer: M8 x Ø17 x 1.5 mm		8X
HW3	Hex Key		1X



Item ID # CNS6610

Product Dimension: 47"W x 15"D x 30"H



**WARNING**  
Weight Capacity – 65 Lbs  
Warning : Do not stand on Table  
Warning : Do not over torque bolts

# PREPARATION

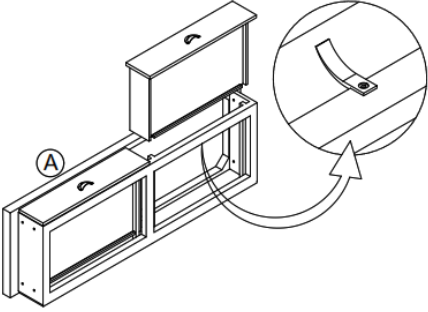
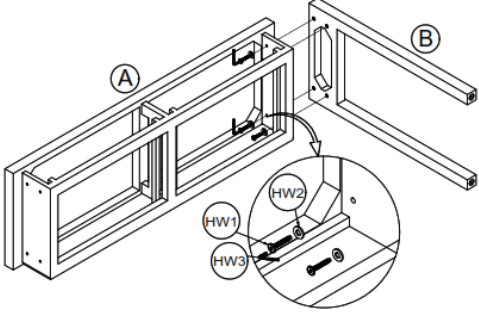
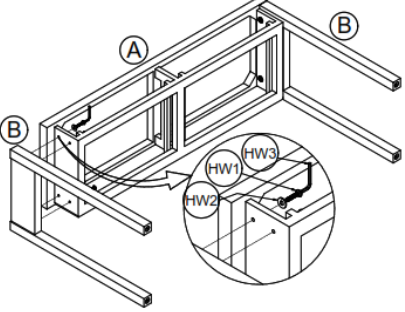
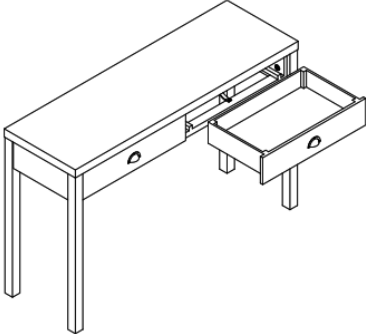
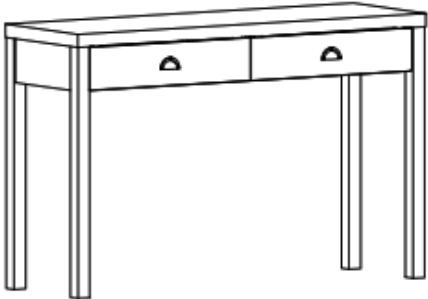
\*Before beginning assembly of product, make sure all parts are present. Compare parts with part contents list and hardware contents list.

\*If any part is missing or damaged, do not attempt to assemble the product.

\*Estimated Assembly Time: 15 minutes.

\*Tools Required for Assembly (included): Hex key

\*If you are having difficulty, our friendly Customer Care team is always here to help. Please email [customersupport@safavieh.com](mailto:customersupport@safavieh.com)

		
<p><b>STEP 1:</b></p> <ul style="list-style-type: none"><li>• Place the top (A) in the position as shown in the image above.</li><li>• Remove both drawers before starting assembly by pressing the stopper at the bottom of the drawer shelf.</li></ul>	<p><b>STEP 2:</b></p> <ul style="list-style-type: none"><li>• Place the leg (B) in line with the bolt holes next to the top (A).</li><li>• Insert a bolt (HW1) and flat washer (HW2) into each bolt hole, then tighten them using the Hex Key (HW3).</li></ul>	<p><b>STEP 3:</b></p> <ul style="list-style-type: none"><li>• Do the same thing as step 2</li></ul>
		
<p><b>STEP 4:</b></p> <ul style="list-style-type: none"><li>• After all the bolts are installed tightly, turn the product over to an upright position and then insert the two drawers as shown in the image above.</li></ul>	<p><b>STEP 5:</b></p> <ul style="list-style-type: none"><li>• The product is ready to use.</li></ul>	