

2 HOLE WALL MOUNT LAVATORY FAUCET ROUGH-IN VALVE

FEATURES

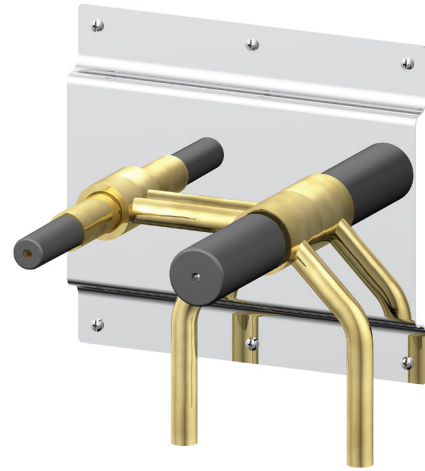
- Solid brass construction
- Single lever wall mounted basin rough body
- Ceramic disc cartridges

COLORS/FINISHES

- N/A

INSTALLATION NOTES

This product is designed for a two hole wall mount installation by a licensed plumbing professional. Please refer to the installation manual for further instructions.



WARRANTY

- Five-year Limited Warranty for residential use
- One-year Limited Warranty for commercial use

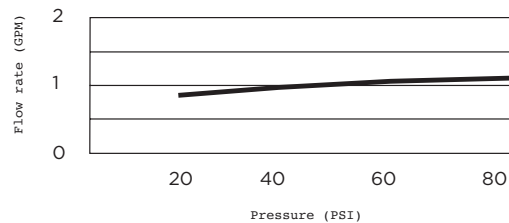
SHIPPING INFORMATION

Package Dimensions
11 7/16" x 9 7/16" x 6 7/8"
Package Weight
5.5 lbs

MATERIAL

- Brass

FLOW RATE



PLEASE NOTE:

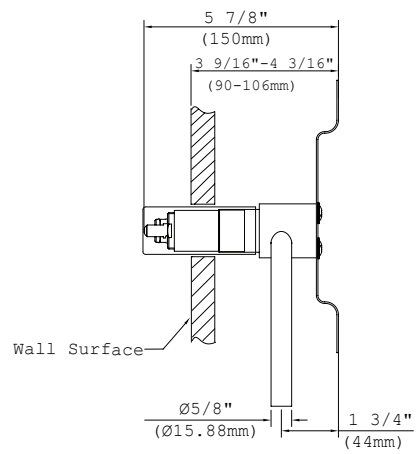
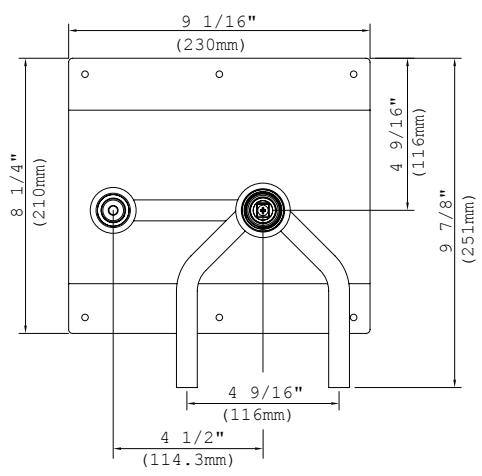
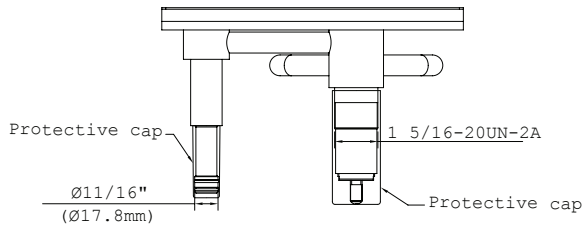
Final achievable flow rate is dependent on the outlets fitted, see relevant outlets (spouts, rose, sprays) for assembled product flow rate.

CODES/STANDARDS

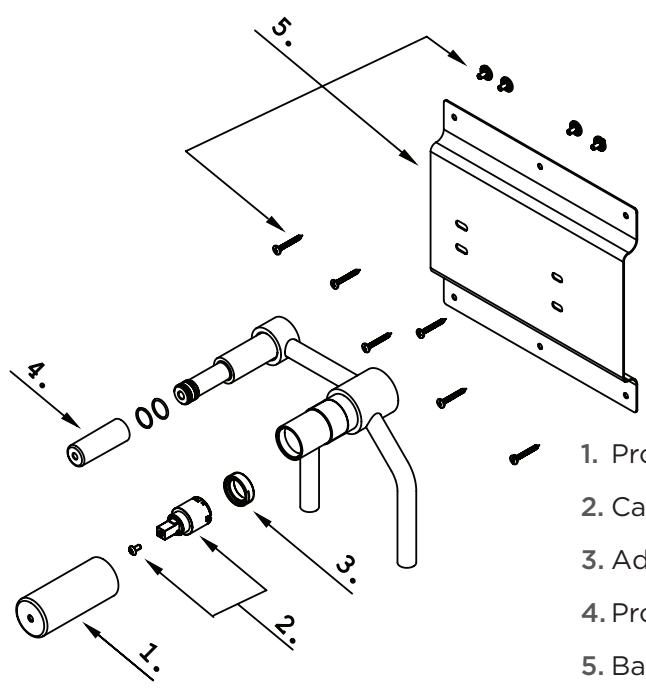
- Meets A112.18.1M/A112.18.1
- Certifications: IAPMO(cUPC)



DIMENSIONS



SERVICE PARTS



- 1. Protective Cap (A126164)
- 2. Cartridge Assembly (A663A36N)
- 3. Adjusting Ring (A104084)
- 4. Protective Cap (A126162)
- 5. Back Plate Assembly (A663A38)

DATE: 28 MAY 2019

COPYRIGHT © COOPER AND GRAHAM | OLIVIAN AUSTIN 2018. ALL RIGHTS RESERVED.