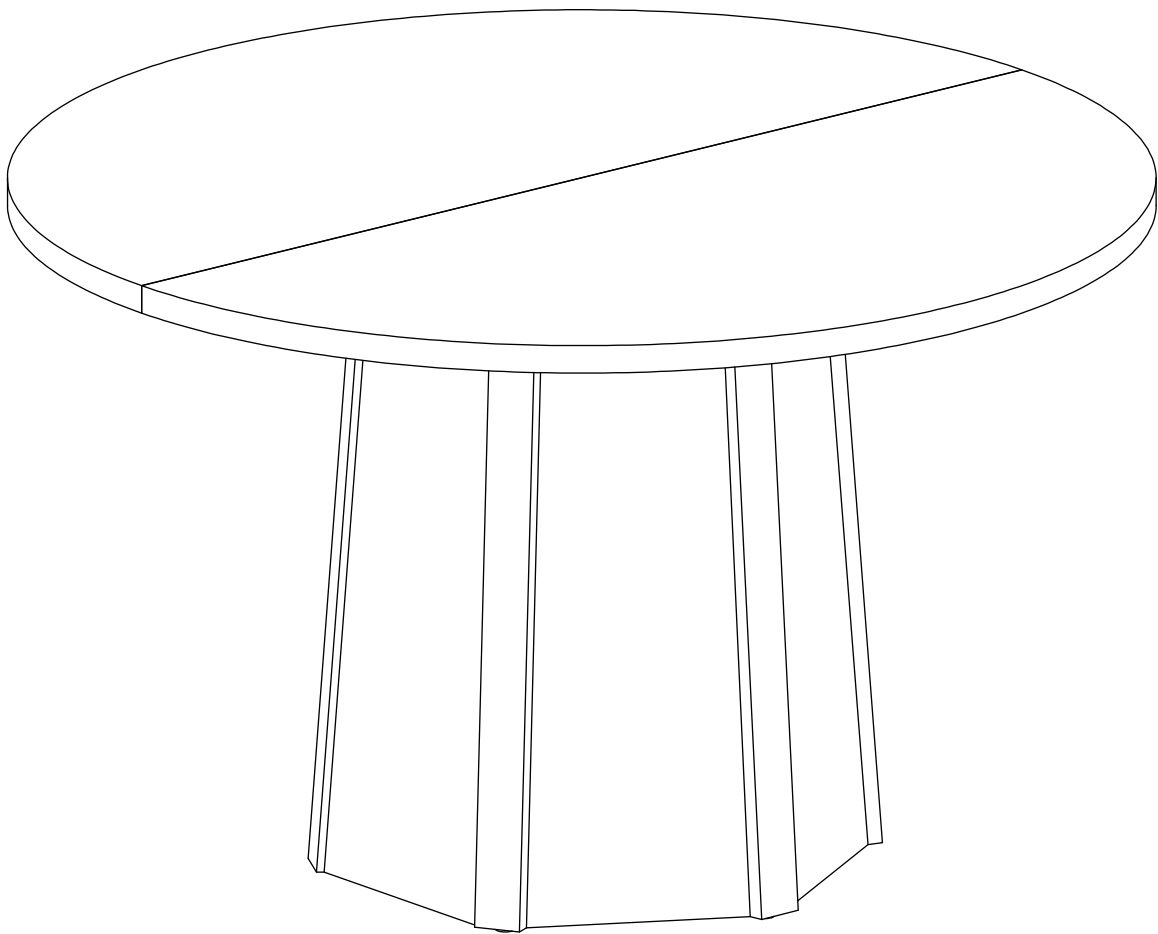


ASSEMBLY INSTRUCTIONS

ZZGC-V1

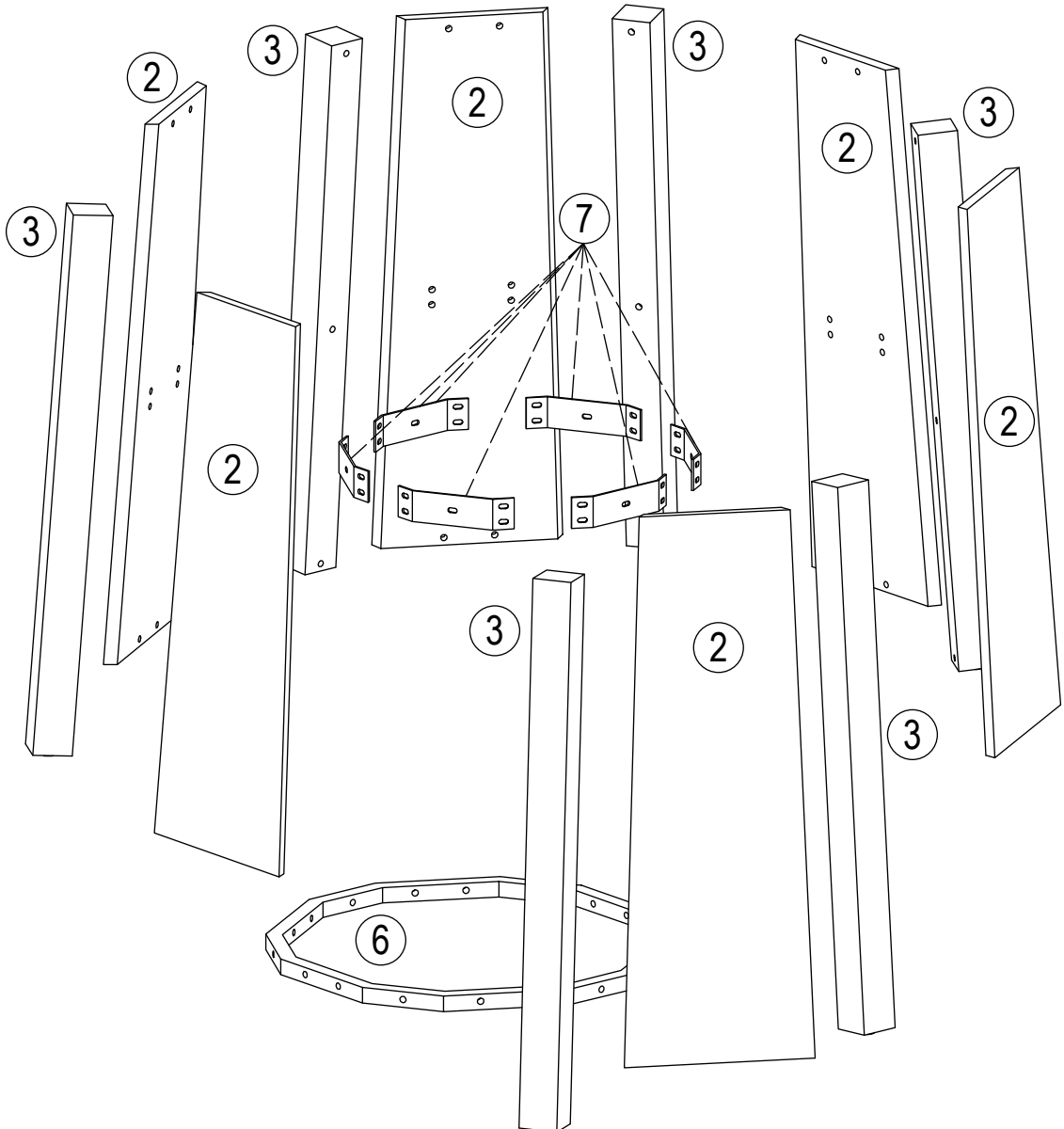
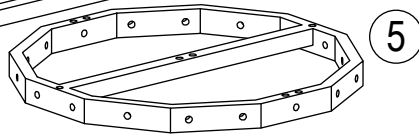
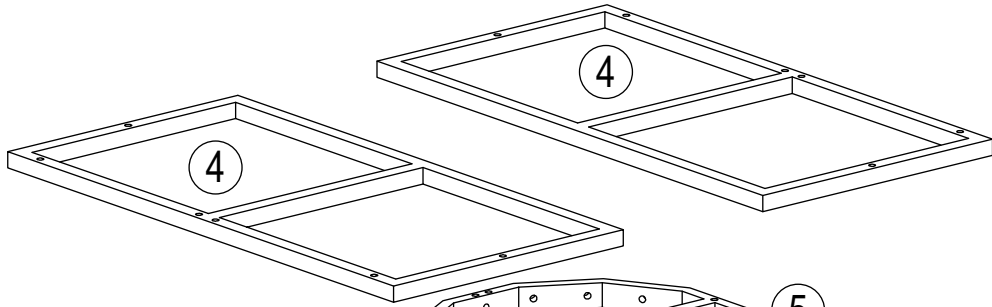
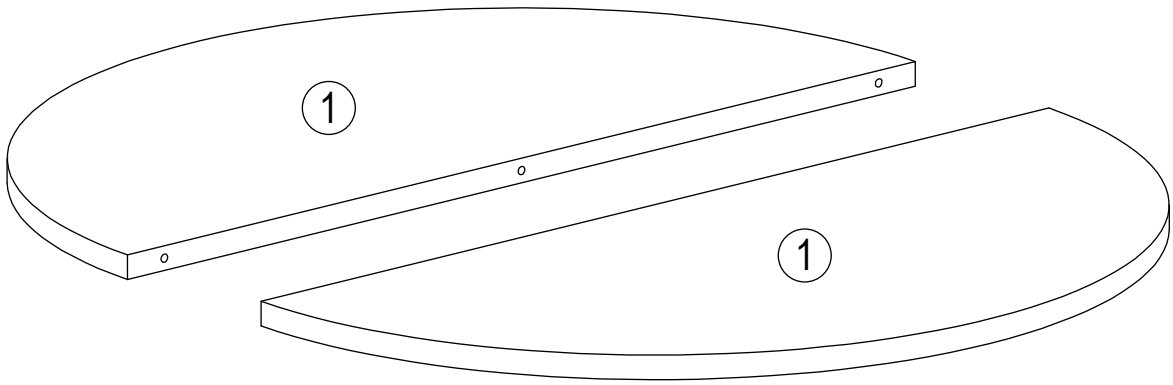
FTKDTC-0016

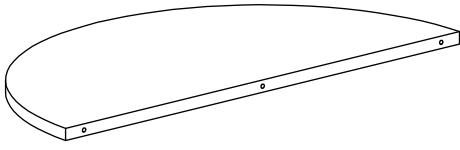


TABLE

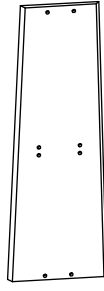
Notice:

- 1. Follow the installation instructions. Please confirm all accessories are preset before installation.**
- 2. Do not fully tighten the screws during initial assembly. Fully tighten screws only once all pieces which are correctly assembled.**
- 3. If you encounter any problems during installation, please contact our customer service.**





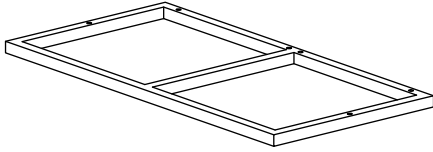
① ×1



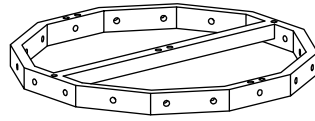
② ×6



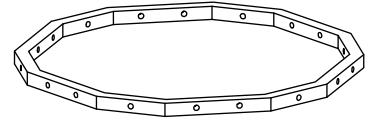
③ ×6



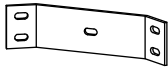
④ ×2



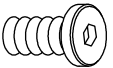
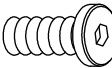
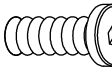
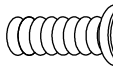
⑤ ×1

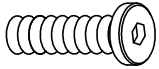




⑥ ×1

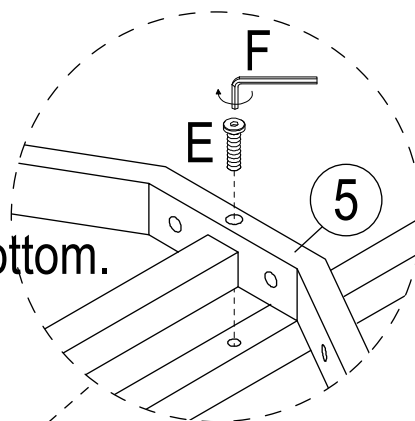


⑦ ×6

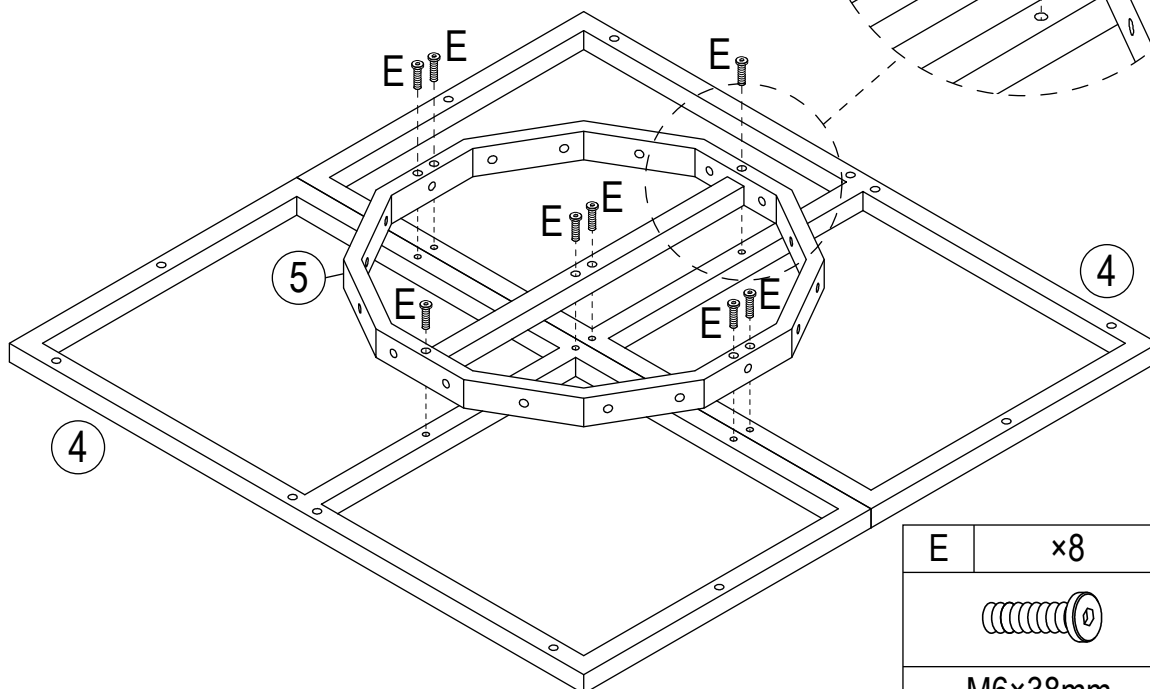
A	×30+3	B	×18+2	C	×18+2	D	×12+2
							
M6×12mm		M6×25mm		M6×30mm		M6×35mm	


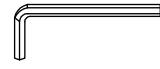
E	×8+1	F	×1	G	×3+1
					
M6×38mm		M4×55mm		Ø10×50mm	

STEP 1

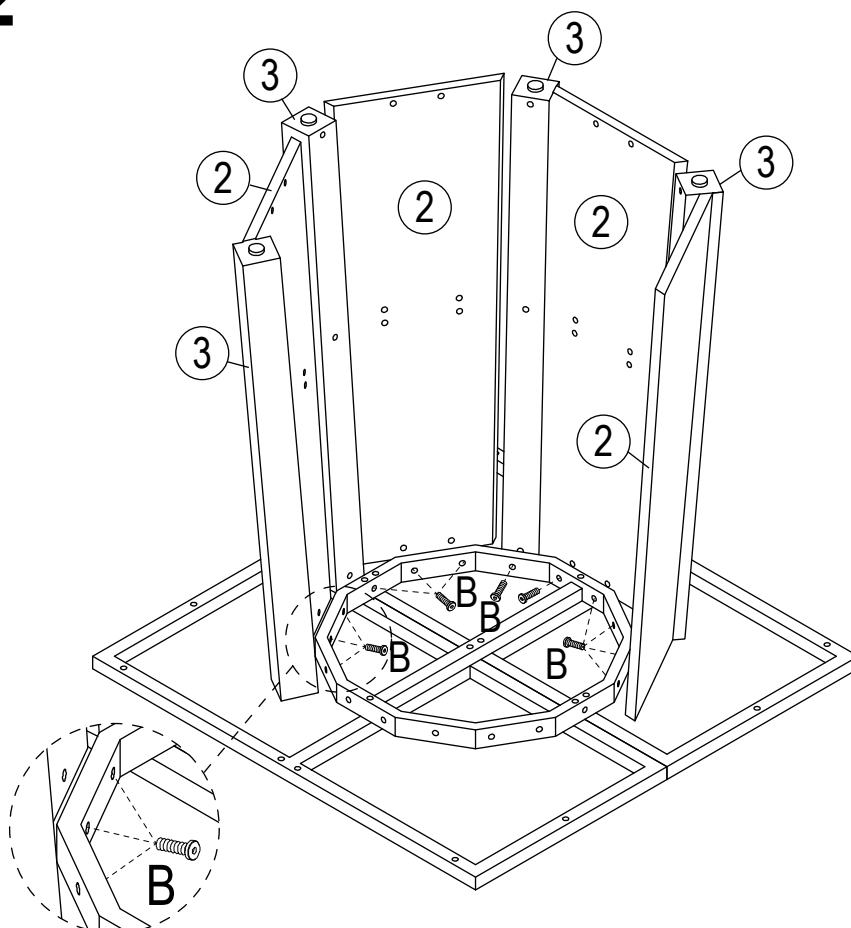


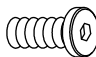
Notch on the bottom.



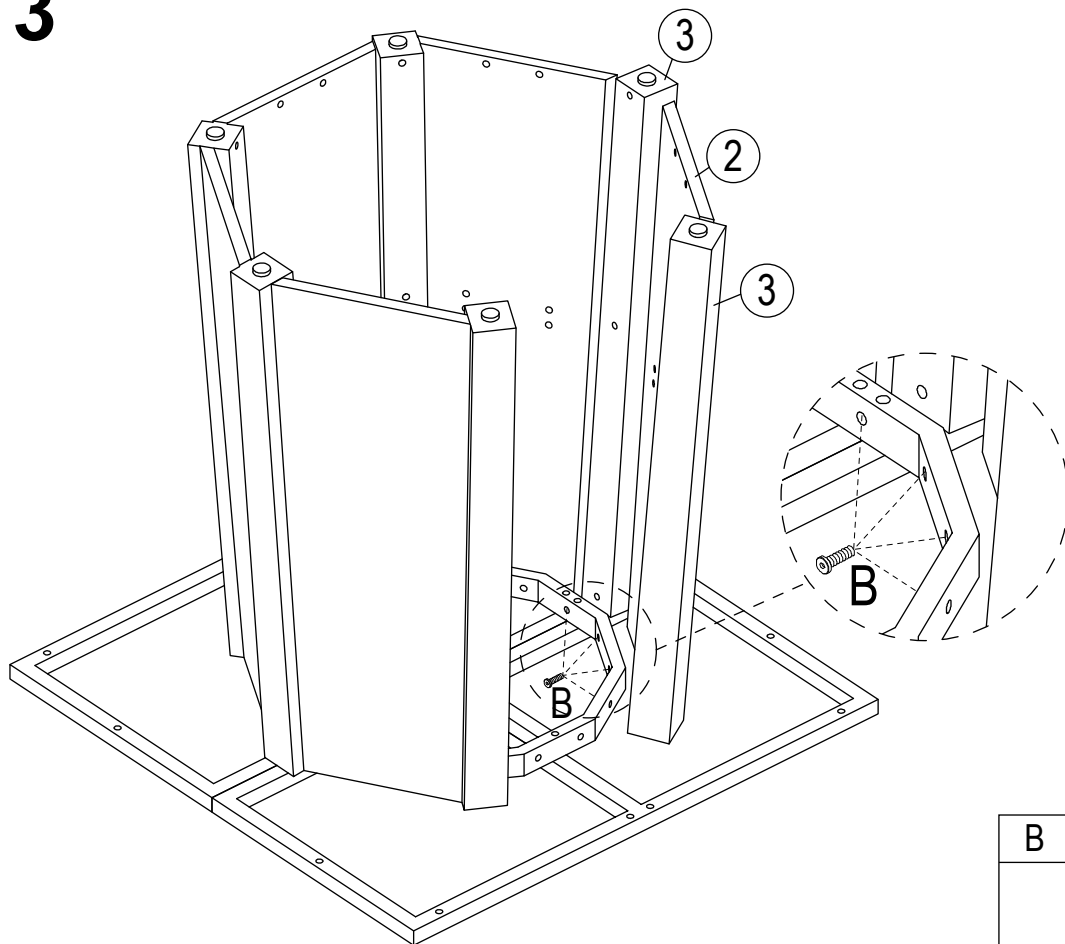
E	x8	F	x1
			
M6×38mm		M4×55mm	

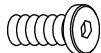
STEP 2



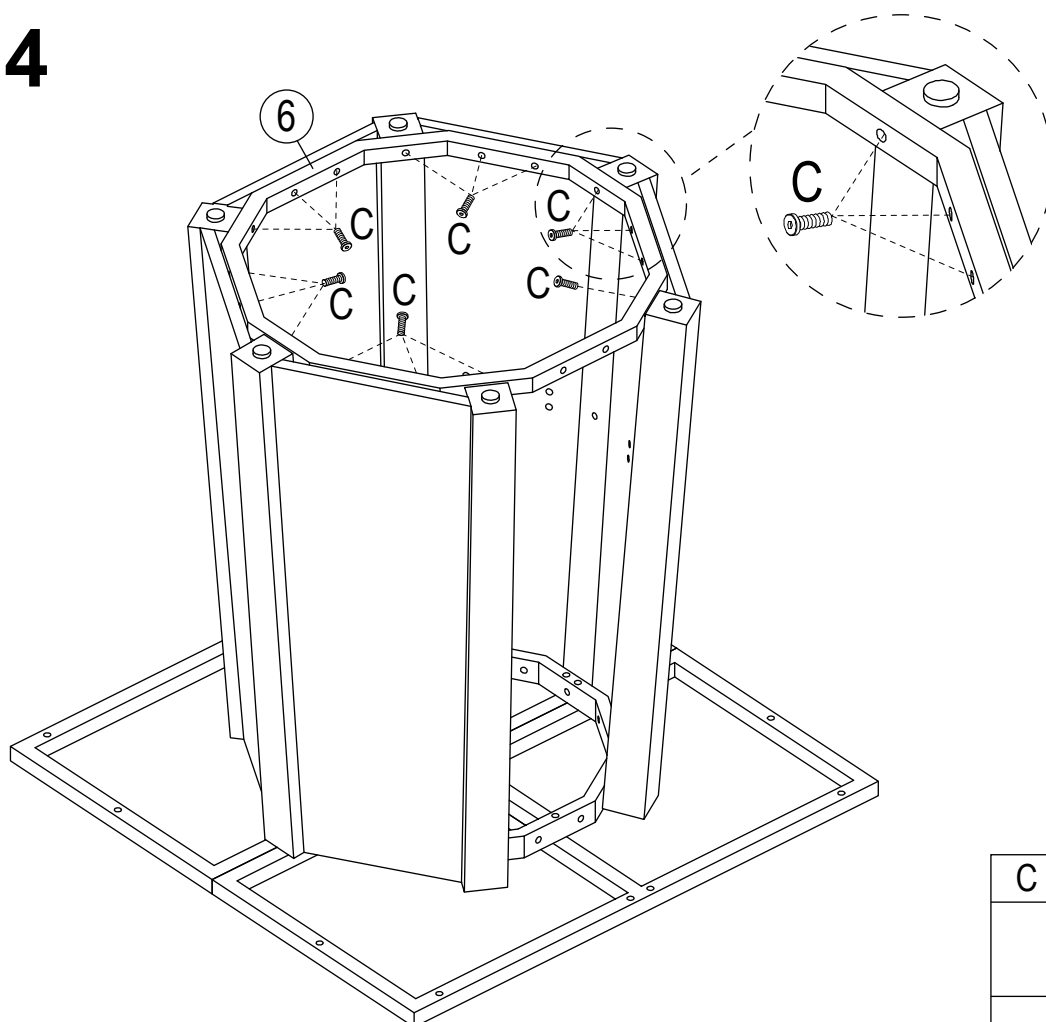
B	x12
	
M6×25mm	


STEP 3



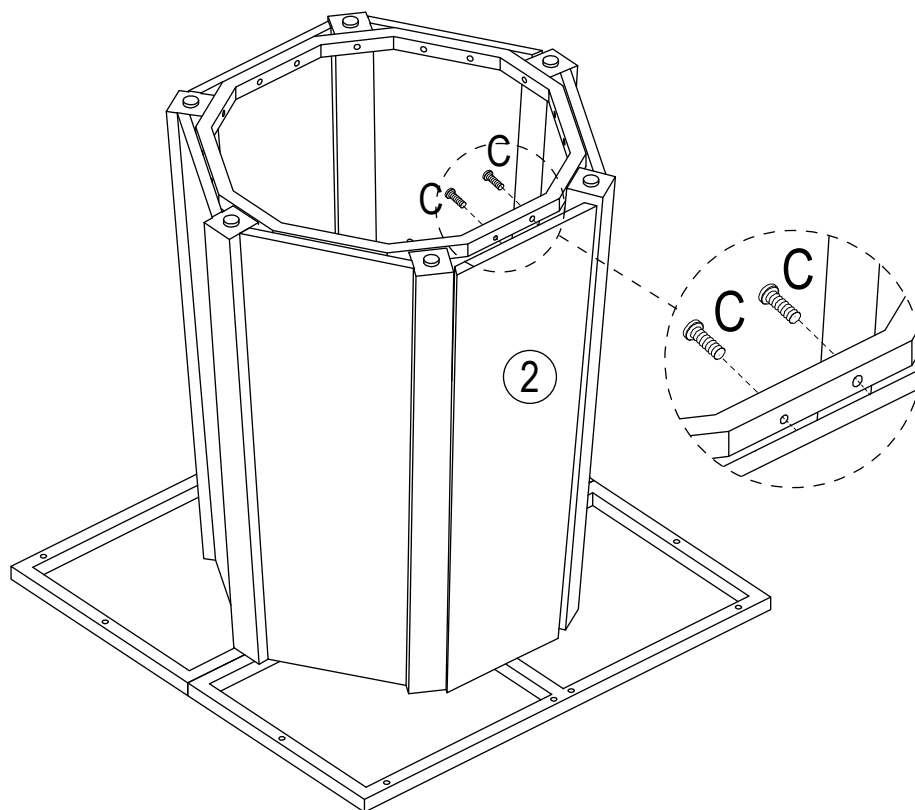
B	x4
	
M6x25mm	

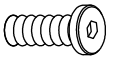
STEP 4



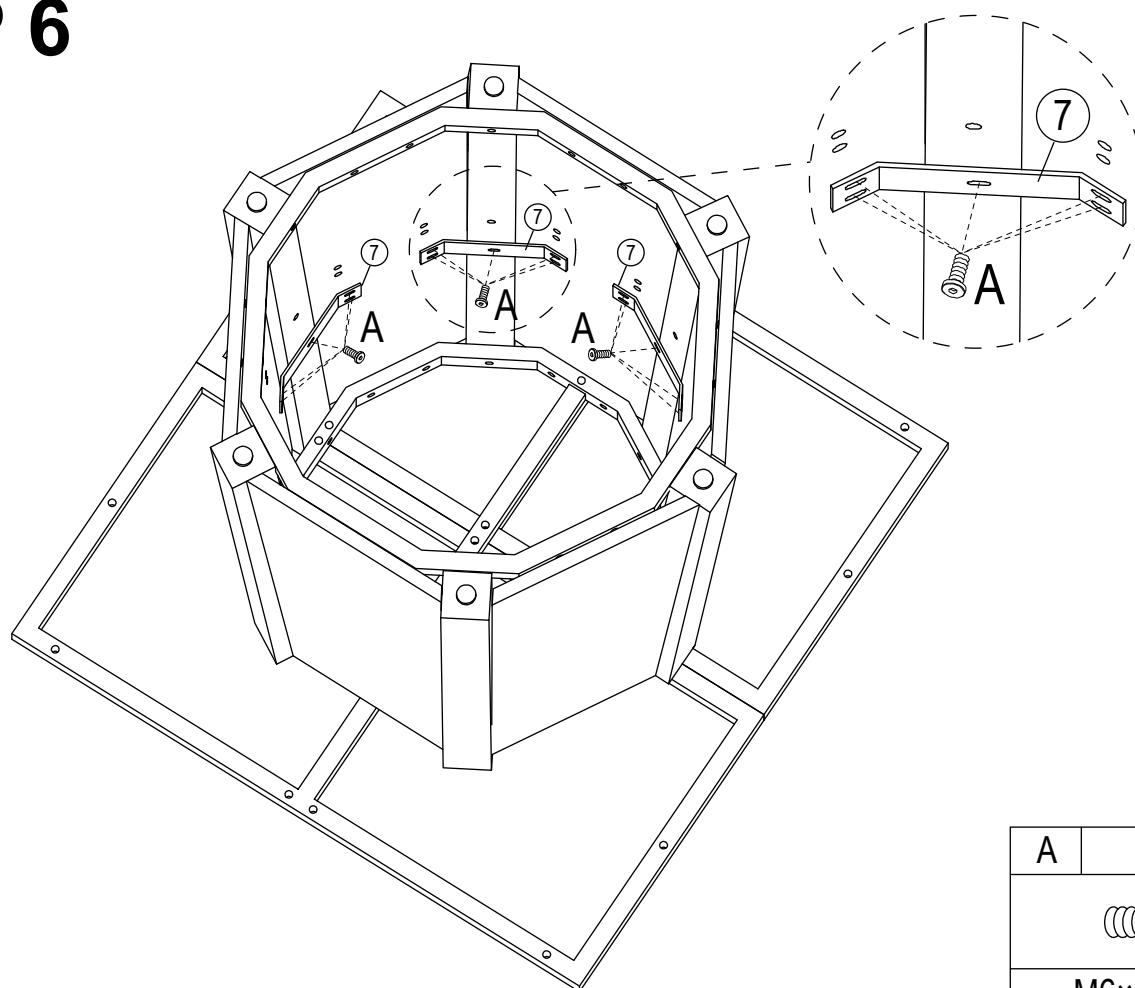
C	x16
	
M6x30mm	


STEP 5



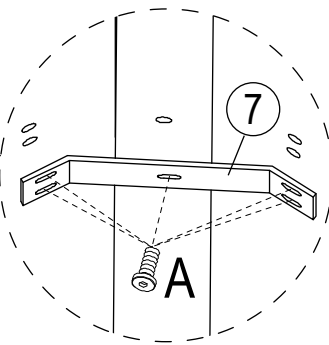
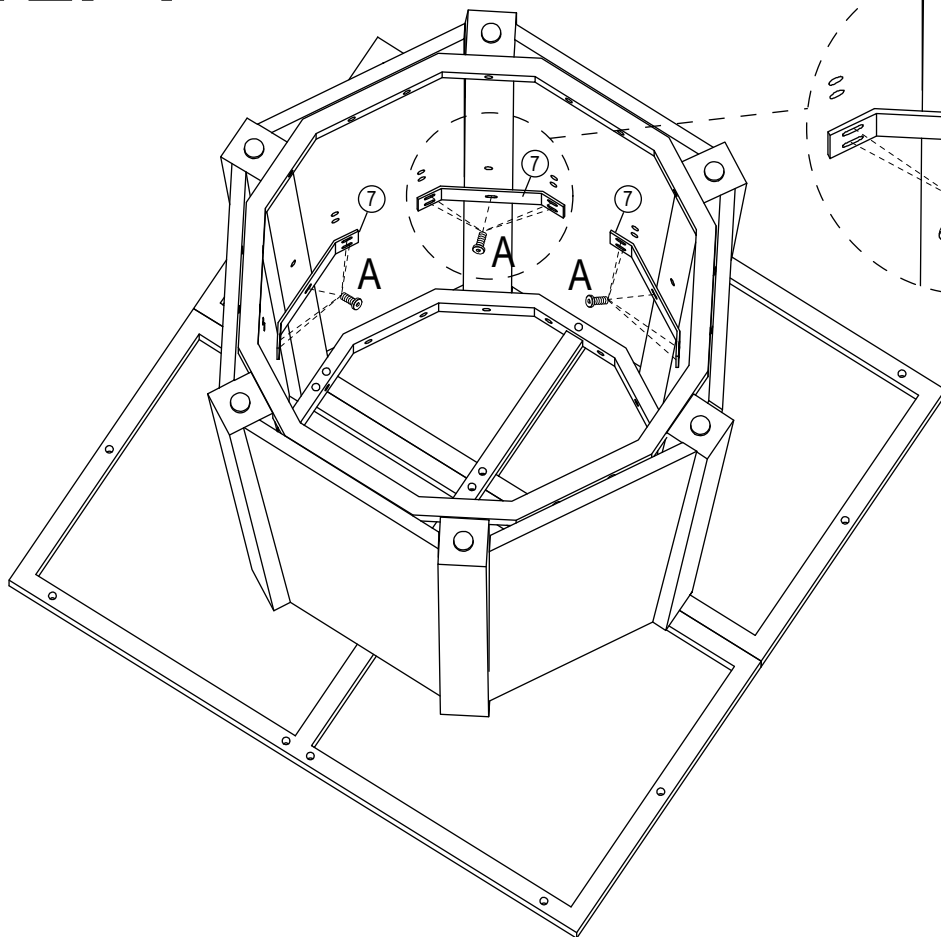
C	x2
	
M6x30mm	

STEP 6

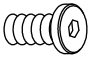


A	x15
	
M6x12mm	

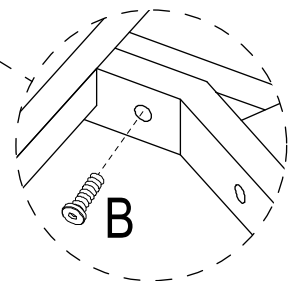
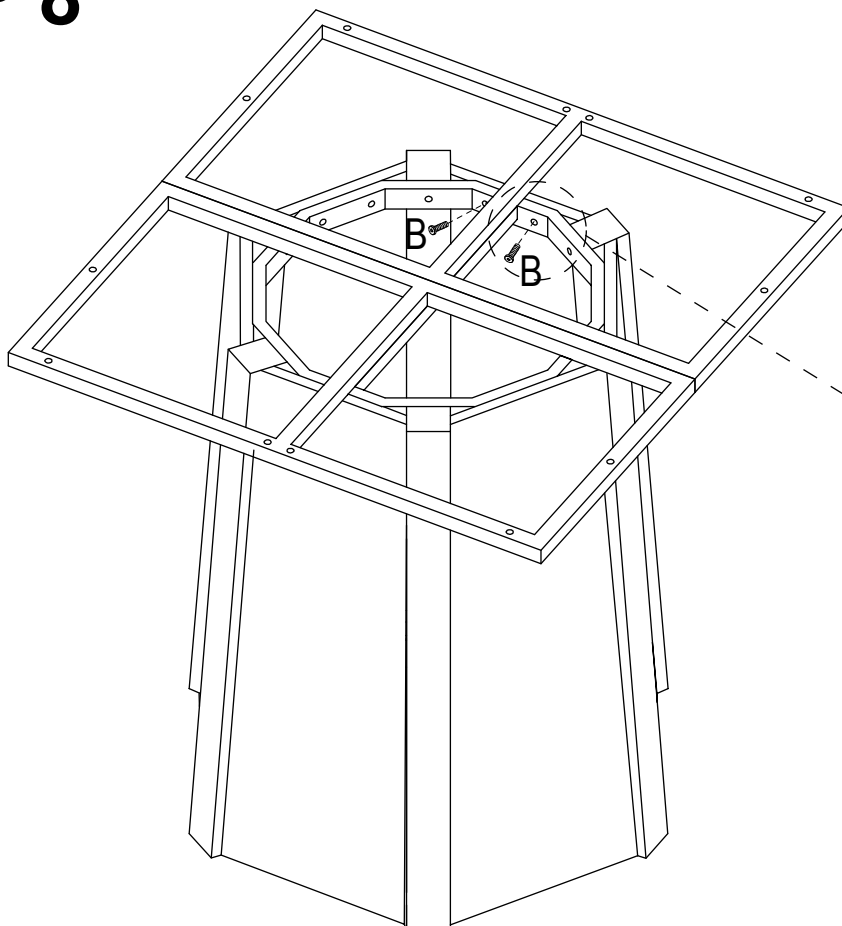
STEP 7

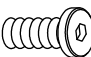


Flip it 180° after the previous step.

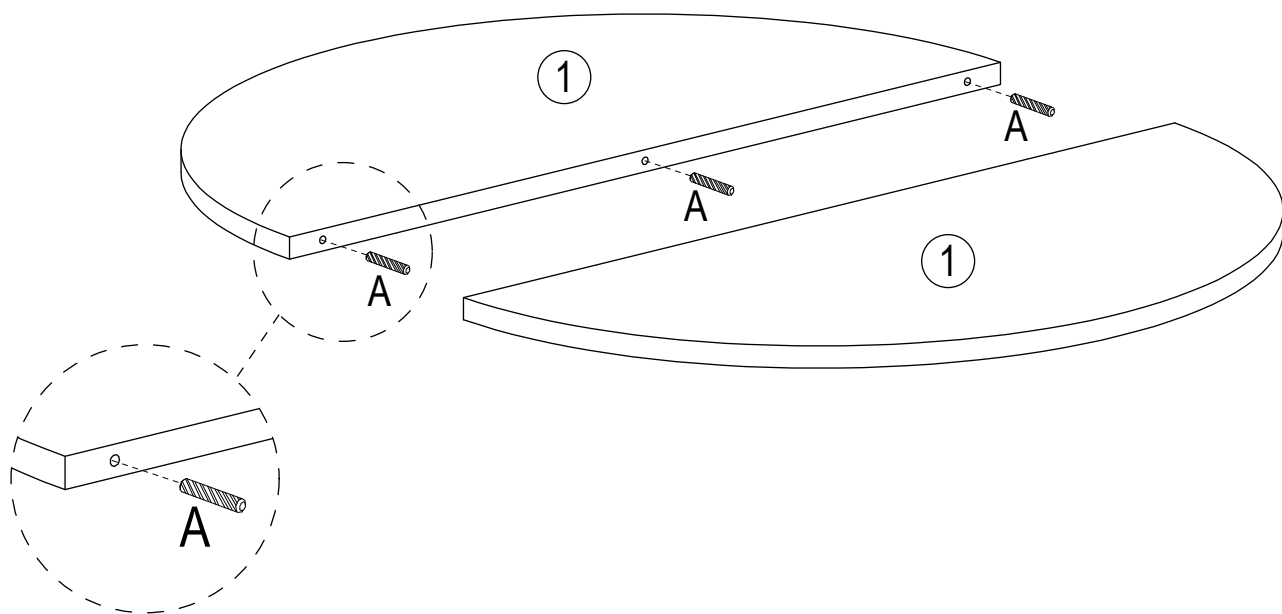
A	×15
	
M6×12mm	


STEP 8



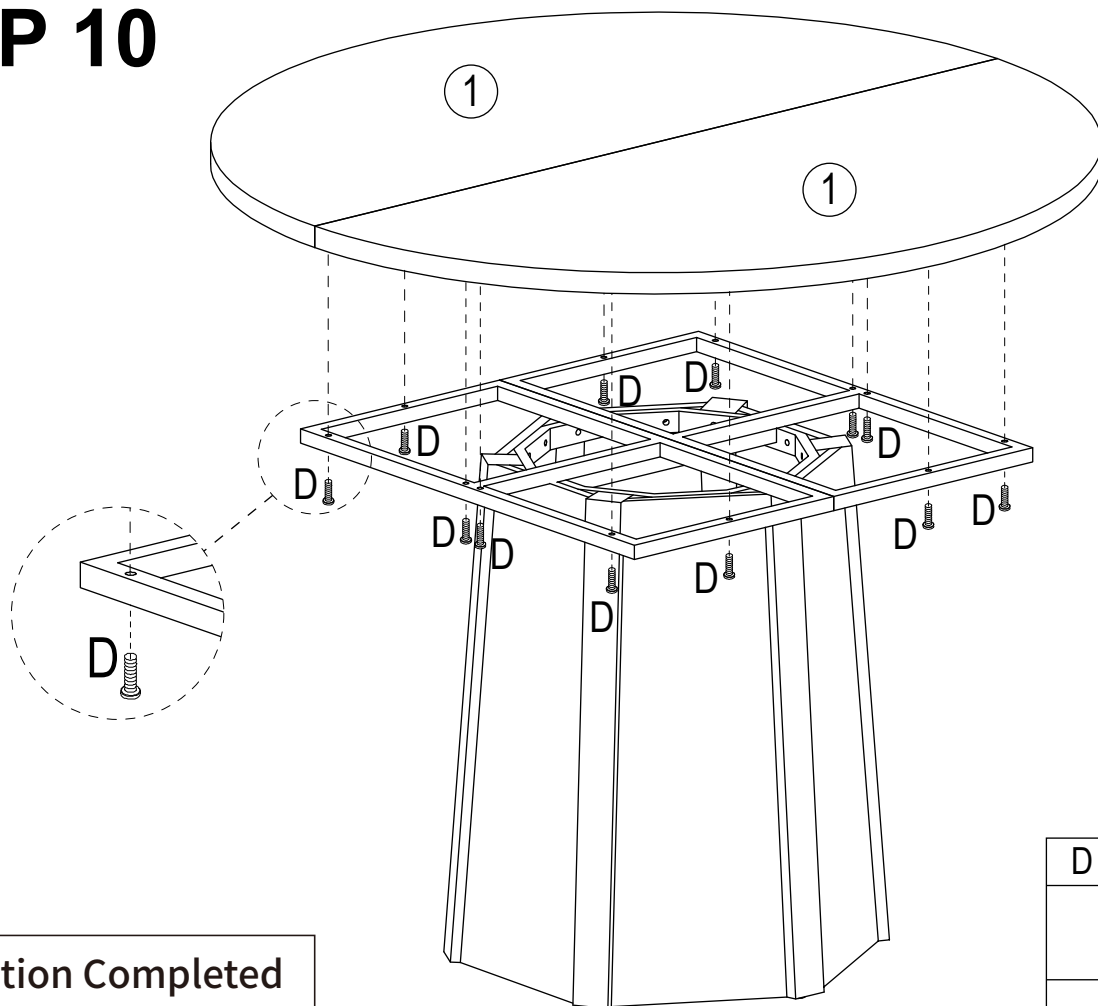
B	×2
	
M6×25mm	

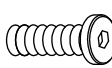
STEP 9



G	×3
	
Ø10×50mm	

STEP 10



D	×12
	
M6×35mm	

Installation Completed