

PARTS DRAWING

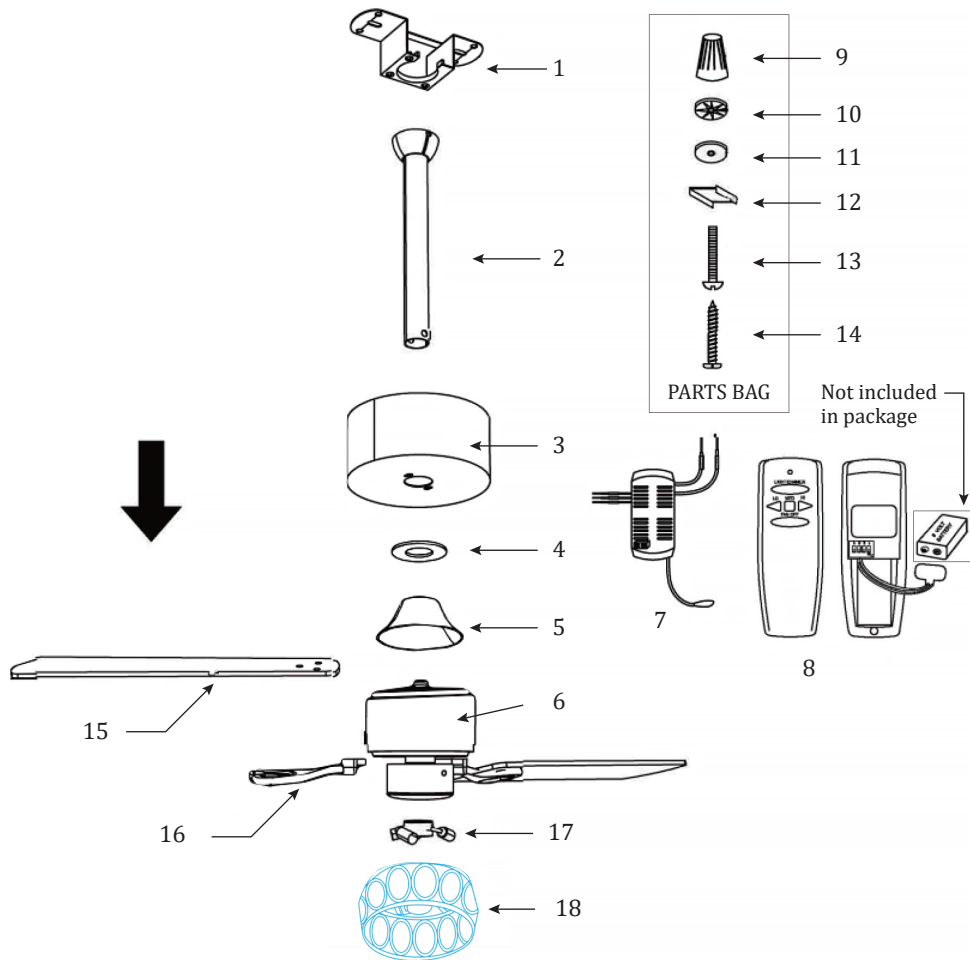
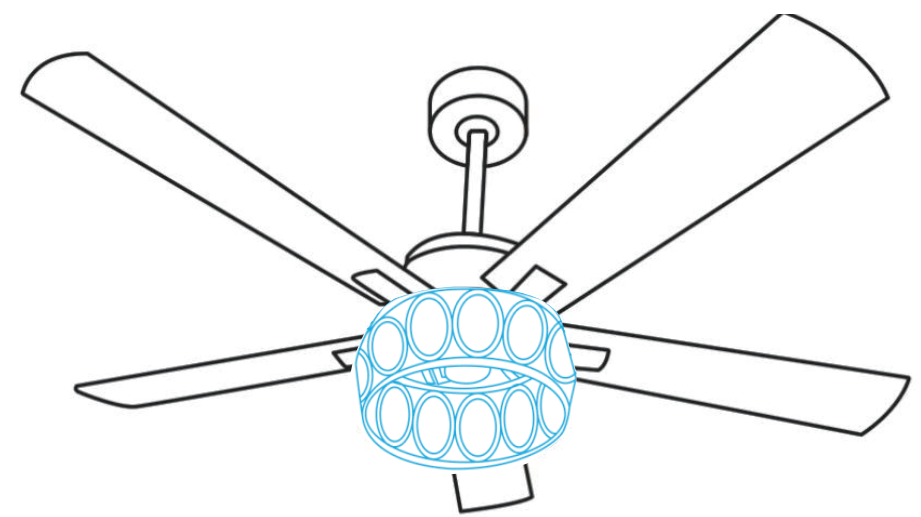


Figure 1

T5C52-SRB 52 INCH CEILING FAN



NOTE!
The illustrations shown are not to scale so that the actual configuration and composition may vary.
Products/components are subject to change for reference only.

READ AND SAVE THESE INSTRUCTIONS

TABLE OF CONTENTS

Unpacking Instructions	3	How to Operate Your Ceiling Fan	12
Energy Efficient Use of Ceiling Fans	4	Maintenance	14
Electrical and Structural Requirements	4	Trouble shooting	15
How to Assemble Your Ceiling Fan	6	Parts List	16
How to Hang Your Ceiling Fan	8	Parts Drawing	17
How to Wire Your Ceiling Fan	9	Fan blade disassembly diagram	17
How to Install Your Canopy Housing	11		

CAUTION

READ AND SAVE THESE INSTRUCTIONS

To avoid fire, shock and serious personal injury, please follow the instructions below

1. Read the manual and safety information before installing the new fan. View the attached assembly drawing.
2. Before maintenance or cleaning, disconnect the power supply at the panel and lock the maintenance panel. When the service is disconnected and cannot be locked, the device will have a security warning, such as a label on the service panel.
3. When cleaning, painting or operating near the fan, be careful of the fan and blades. Always close the ceiling fan power supply before maintenance.
4. Don't insert anything into the fan blade when the fan is running.
5. The device is not recommended for children or the infirm to use without supervision.

ADDITIONAL SAFETY INSTRUCTIONS

1. To avoid possible electric shock, always disconnect power at the fuse box before wiring and do not operate fans without blades.
2. All wiring and installation procedures must comply with the National Electrical Code (ANSI / NFPA 70) and local codes.
3. Ceiling fans must be grounded to prevent possible electric shock. Electrical installation should be performed or approved by a licensed electrician.
4. The fan base must be securely mounted and capable of reliably supporting at least 35 lbs. (fan and accessories not to exceed 35 lbs. or 15.9 kgs.) See page 5 of owner's manual for support requirements.
5. The fan must be mounted with the fan blades at least 10 feet from the floor to prevent accidental contact with the ceiling fan.
6. Wire the ceiling fan in the correct way according to the instructions. If you do not have sufficient electrical knowledge or experience, have a licensed electrician perform the installation. Suitable for use with solid state speed controllers. The fan is intended for indoor use only in dry or wet locations.
7. For power connections, if the conductor of the fan is identified as a grounded conductor, then it should be connected to a grounded conductor power supply. If the conductor of the fan is identified as an ungrounded conductor, it should be connected to an ungrounded conductor power supply. If the turbine's conductor is identified as an equipment-grounded conductor, then it should be connected to an equipment-grounded conductor.



CAUTION: Changes or modifications not expressly approved by the party responsible for compliance could void the user's authority to operate the equipment.



WARNING: To reduce the risk of electric shock, this fan must be fitted with a universal barrier wall.

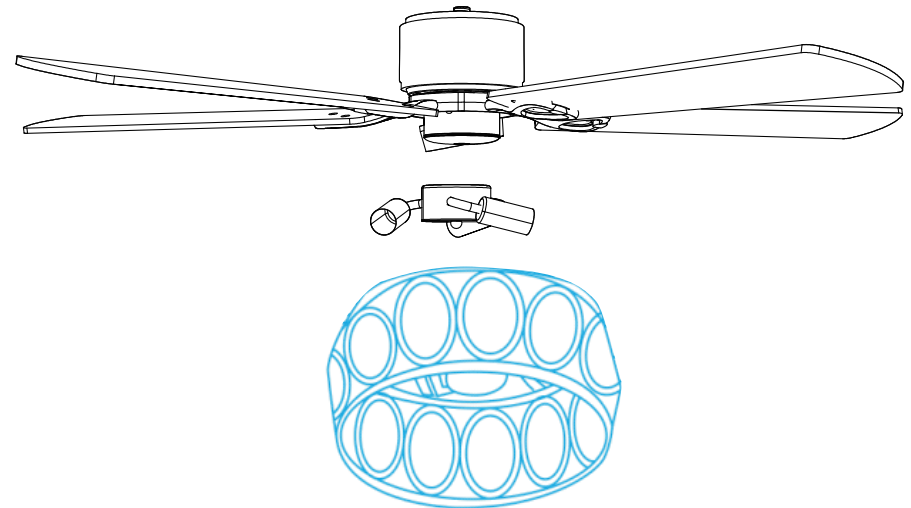
This product is intended to be used only with the parts supplied with this product and/or accessories specifically designed for this product. Use of parts not specified for use with this product may result in personal injury or property damage.

Do not bend blade supports (flanges or shanks) when installing brackets, balancing blades, or cleaning fans to reduce the risk of personal injury. Do not insert foreign objects between rotating fan blades.

The weight of the fan supportable outlet box is 15.9 kg (35lbs) or less.

REPLACEMENT AND DISASSEMBLY DIAGRAM OF FAN BLADES.

Fan blade cleaning and removal installation diagram, wipe with a dry cloth or chicken blanket. Do not rinse with water.



TROUBLESHOOTING



WARNING: For your own safety, disconnect power to the fuse box or circuit breaker before troubleshooting the fan.

TROUBLE	POSSIBLE CAUSE	SUGGESTED REMEDY
1. FAN WILL NOT START	<ol style="list-style-type: none"> 1. Broken fuse or circuit breaker. 2. The power cable is connected too loosely or the wires in the remote control are connected too loosely. 3. The battery in the remote control is dead. 4. The reversing switch is in the middle position. 	<ol style="list-style-type: none"> 1. Check the main and branch circuit fuse or circuit breaker. 2. Check fan wire connections and switch wire connections in switch enclosure. <p>Caution: Make sure that the main power is on.</p> <ol style="list-style-type: none"> 3. Replace the battery with new ones. 4. Make sure the reversing switch position is all the way to one side.
2. FAN SOUND NOISY	<ol style="list-style-type: none"> 1. Loose screws in the motor housing. 2. Knock on the wire connector inside the housing. 3. Motor noise caused by solid state variable speed control. 	<ol style="list-style-type: none"> 1. Check that all screws in the motor housing are tight. (Do not over tighten). 2. Make sure that the wire connectors in the switch housing do not collide with each other or with the inside wall of the switch housing. <p>Note: Make sure that the main power supply is disconnected!</p> <ol style="list-style-type: none"> 3. Some fan motors are sensitive to solid state variable speed control signals. 4. Solid state control is not recommended, choose an alternative control method.
3. FAN WOBBLE EXCESSIVELY	<ol style="list-style-type: none"> 1. The set screw in the lower rod support is loose. 2. The set screw in the lower rod/hanger ball assembly is loose. 3. Hanger basket and/or ceiling outlet box is not securely fastened. 	<ol style="list-style-type: none"> 1. Securely tighten the two adjusting screws in the lower rod support. 2. Tighten the adjusting screws in the lower rod/hanger ball assembly. 3. Tighten the hanger bracket screws to the outlet box to secure the outlet box.
4. NOT ENOUGH AIRMOVEMENT		<ol style="list-style-type: none"> 1. If possible, consider using a longer lower rod (not included, the longer lower rod from your car buying on the erangroup.com

ADDITIONAL SAFETY INSTRUCTIONS



WARNING: Do not operate this fan with a variable (Rheostat) wall controller or dimmer switch. Doing so could result in damage to the ceiling fan's remote control unit. This device complies with Part 15 of the FCC Rules. Operation is subject to the following two conditions:

- (1) this device may not cause harmful interference, and this device must accept any interference received, including interference that may cause undesired operation.
- (2) If the intentional radiator can be classified as a Class B digital device or a PC peripheral, then shall include the following or equivalent.



Note: This equipment has been tested to comply with the limits for a Class B digital device, pursuant to Part 15 of the FCC Rules. These limits are intended to provide reasonable protection against harmful interference in residential installations. This equipment generates, use can radiate RF energy and, if not installed and used as directed, may cause harmful interference to radio or television reception, which can be determined by turning the equipment off and on and encouraging the user to attempt to correct the interference by one or more of the following measures:

- Redirecting or relocating the receiving antenna.
- Increasing the separation between the equipment and the receiver.
- Connecting the equipment to an outlet on a circuit different from that to which the receiver is connected. Consult your dealer or an experienced broadcast television technician for assistance.

For Class A digital equipment, the statements in 15.105 (a) must be included, where appropriate.

WARRANTY

We warrant blower motors to be free from factory defects in workmanship and materials for a period of time from the date of purchase by the original purchaser. We also warrant the blower motor to be free from factory defects in workmanship and materials for a period of two years from the original purchaser's date of purchase, including any glass or ice crystal parts and wood blades. If the product is returned, we agree to correct these defects at no charge or, at our option, to replace it with a similar or superior model. To obtain warranty service, a copy of the receipt must be presented as proof of purchase. The purchaser is responsible for the cost of removing and reinstalling the product. Damage to any part, such as accident, mishandling, improper installation, or affixing of any attachment, is not covered by this warranty. Due to different weather conditions, this warranty does not cover any changes in the brass surface, including rusting, pitting, corrosion, discoloration or flaking. This type of brass finish has the longest service life when protected from varying weather conditions. A certain amount of "wobble" is normal and should not be considered a defect. Services provided by unauthorized persons shall void the warranty. No other express warranties. We hereby disclaim any and all warranties, including but not limited to warranties of merchantability and fitness for a particular purpose, to the fullest extent permitted by law. The term of any irrevocable implied warranty is limited to the term set forth in the express warranty. Some states do not allow limitations on the duration of implied warranties, so the above limitations may not apply to you. Except as otherwise provided by law, the manufacturer shall not be liable for incidental, consequential or special damages arising out of or in connection with the use or performance of the product. Some states do not allow the exclusion of incidental or consequential damages, so the above exclusions or limitations may not apply to you. This warranty gives specific legal rights, and you may also have other rights that vary from state to state. This warranty supersedes all prior warranties. Any return shipping costs for the product as a part of claim under warranty must be paid by the customer.

EFFICIENT USE OF CEILING FANS

The performance and energy efficiency of a ceiling fan depends heavily on the proper installation and use of the ceiling fan. Here are some tips to ensure efficient product performance.

Choose the right mounting location

Ceiling fans should be mounted or installed in the middle of the room at least 10 feet from the floor to the blades and at least 18 inches from the wall to the blades. If ceiling height allows, install the fan 8 - 9 feet from the floor to the blades for optimal airflow. Optional mounting accessories are available, please consult your Eran Group retailer.

Turn Off When Not in the Room

Ceiling fans cool the person, not the room. If you leave the room temporarily, turn off the ceiling fan to save energy.

Using the Ceiling Fan Year Round

Summer: Use the ceiling fan in a clockwise direction. The airflow generated by a ceiling fan creates an air-cooling effect that makes people "feel" cooler. Choose a fan speed that provides a comfortable breeze; the lower the speed, the less energy is consumed.

Winter: Reverse the motor and run the ceiling fan at a low speed in the clockwise direction of the counter. This creates a gentle updraft that allows warm air near the ceiling to move down into the living space. Remember, when using a ceiling fan, adjust your speed to save on the extra energy and electricity bills generated. This can be achieved with this simple step!

ELECTRICAL AND STRUCTURAL REQUIREMENTS

New ceiling fans require a grounded power cord for 120 volt AC, 60 Hz, 15 amp circuits. Electrical codes require the use of a fan-out box to support the additional weight and movement associated with a ceiling fan. The box will be marked with a fan rating, typically for supporting a ceiling fan up to 70 lbs. Fan rated outlet boxes vary in rating and design. Ensure that the ceiling fan outlet box is rated to meet the requirements of the ceiling fan being installed. Figures 1, 2 and 3 depict different structural configurations that may be used to install the outlet box.

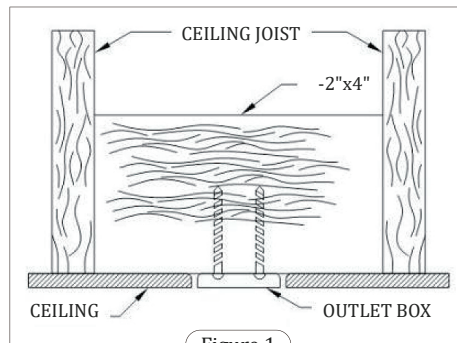


Figure 1

Low-profile use (Figure 1)

A 12-in.-deep pancake box is meant to be screwed to a joist or block. It's used if only one cable is coming into the box. It is also available in a saddle-mount configuration.

High-profile use (Figure 2)

A 2 - 1 - in. - deep box can be attached between the joists and is spacious enough to handle more than one cable.

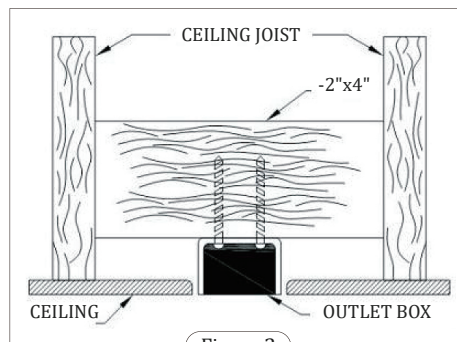


Figure 2

HOW TO OPERATE YOUR CEILING FAN (CONTINUED)



Note:

Wait for the fan to stop before reversing the direction of blade rotation.

When the airflow is in the opposite direction, turn off the fan and wait for the blades to stop turning, slide the reverse switch above the motor to the opposite position to turn the fan back on (Figure 6).

Reverse Switch Information

Season	Rotation Direction	Switch Position
Summer	Clockwise	Left
Winter	Counter-Clockwise	Right

Warm Weather- (Forward) The sinking airflow produces a cooling effect as shown in the figure (Figure.7). This allows the temperature to be set higher without affecting your comfort.

Cool Weather- (Reverse) upward airflow moves warm air away from the ceiling area as shown in the diagram (Figure 8). This allows you to set the heating temperature lower without compromising your comfort level.

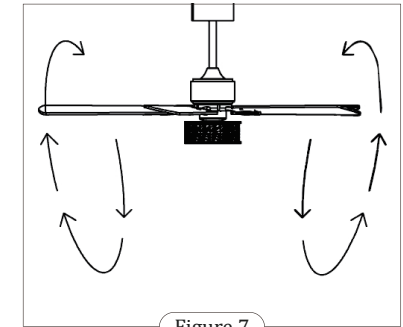


Figure 7

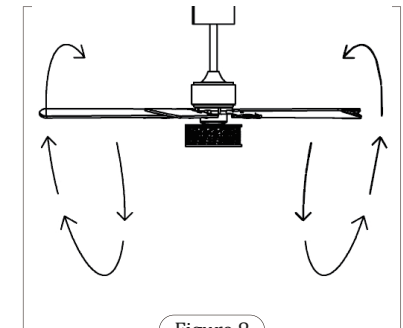


Figure 8

MAINTENANCE

Regular cleaning of a new ceiling fan is the only maintenance required. When cleaning, use only a soft bristle brush or lint-free cloth to avoid breaking up the finish. There is no need to use abrasive cleaners to avoid damaging the finish.



CAUTION:

Do not use water when cleaning your ceiling fan. It could damage the motor or the finish and create the possibility of electrical shock.

REMOTE INSTALLATION

1. SET UP CODE

There are 16 different code combinations for this unit. The setting method is as follows.

A. Set the remote control end code.

- Remove the battery cover. Press the down arrow firmly and slide down the battery cover.
- Slide the button to switch to the up or down position of your choice. Please do not use this method when the installation is fully completed. Use a small screwdriver or ball point pen to fix it and then slide it up or down.

B. Set the receiver code.

- Slide the code button to the same position as the remote control setting (Fig. 2).
- Replace the transmitter battery cover.

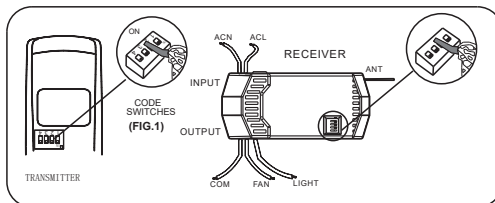
2. Installation of the receiver in the ceiling fan

A. safety matters:

Warning: High voltage! Check the fuse or disconnect the circuit breaker and disconnect the power.
Do not use with solid state fans.
Electrical cord use must meet all local and national electrical code requirements.
Fan power must be 110/120 volts, 60 Hz.
maximum fan motor amperage: 1.0; maximum lighting wattage:
240 incandescent or LED. Otherwise, electricity can cause serious injury or death.

B. Receiver Installed In Fan.

- Disconnect power from the circuit.
- Remove the ceiling fan outer cover.
- Disconnect the existing wiring between the electric fan and the electrical junction box power supply.
- Connect as follows, using the supplied wire nuts.



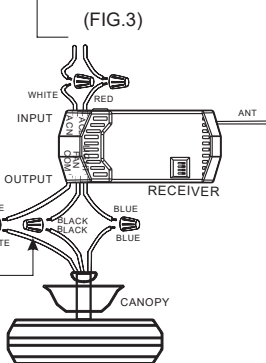
Caution: When installing the controller, the ceiling angle should not exceed 30 degrees, model R28.

CONNECT TO

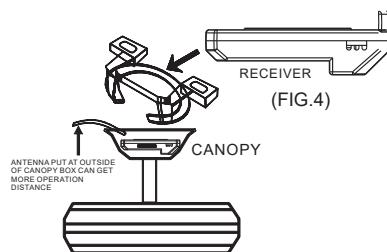
Green fan wire...Bare supply wire
Red receiver wire(AC IN L)...Red or Black supply wire
White receiver wire(AC IN N)...White supply wire
White receiver wire(TO MOTOR N)...White fan wire
Black receiver wire(TO MOTOR L)...Black fan wire
Blue receiver wire(FOR LIGHT)...Blue light wire

FROM POWER SOURCE
AC 110~120 VOLT 60Hz
3.5AMPS.

Use wire connecting nuts supplied with the fan



Use wire connecting nuts supplied with the remote controller.



If other fans or power supply lines are of a different color, please have them installed by a licensed and experienced electrician.

- Push all wires that are already connected to the machine in the junction box.
- Lay the brown antenna over the receiver and place the receiver into the mounting bracket.
- Reattach the canopy to the mounting bracket.
- Restore power.

ELECTRICAL AND STRUCTURAL REQUIREMENTS (CONTINUED)

Bracket use (Figure 3)

This bracket is mated to a deep box that spans between the two joists instead of a wooden block.



WARNING:

To reduce the risk of fire, electric shock or personal injury, install the fan into the outlet box marked with an acceptable fan support of 15.9 kg (35 lbs) or less.
Please use screws with outlet box.
Most outlet boxes commonly used for light fixture brackets cannot be used for fan brackets. If in doubt, consult a qualified electrician.

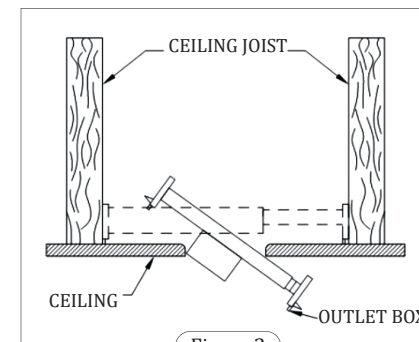


Figure 3

If your fan is replacing an existing fixture, first disconnect the power at the fuse box and remove the existing fixture.



WARNING:

Simply turning off the wall switch is not sufficient. To avoid possible electric shock, ensure power is disconnected at the main fuse box prior to wiring.
All wiring must conform to national and local codes and ceiling fans must be properly grounded to prevent possible electric shocks.

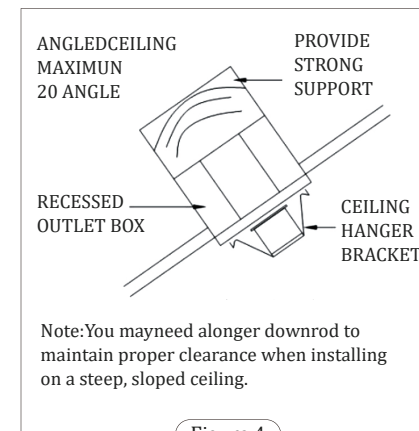


Figure 4

Note: You may need a longer downrod to maintain proper clearance when installing on a steep, sloped ceiling.



WARNING:

To avoid fire or shock, follow all wiring instructions carefully. Any electrical work not described in these instructions should be done or approved by a licensed electrician.



WARNING:

Do not operate this fan with a variable wall controller (varistor) or dimmer switch. Doing so may cause damage to the remote control unit of the ceiling fan.

Slanted ceiling use sites (Figure 4).
Slanted ceiling angle 20 angles maximum.



Note:

You may need a longer down rod (sold separately) to maintain proper clearance when installing on steep, sloped ceiling.

PRE-INSTALLATION

This manual is designed to facilitate the assembly, installation, operation and maintenance of your ceiling fan. Tools Needed for Assembly (Not Included)



MATERIALS NEEDED

The type of wiring out and connectors required by local codes. Minimum conductors are 3 - con (2-wires with ground) of the following sizes.

Installed wire length	Wire Size A.W.G
Up to 50 ft.	12
50-100 ft.	12



Note:

Place the parts in the loose parts bag in a small container to avoid losing them. If any parts are missing, contact your local retailer.



WARNING:

Before assembling your ceiling fan, refer to the section on the proper way to install a ceiling fan (page 10). If you do not have sufficient knowledge or experience with wiring, have the fan installed by a qualified electrician.

REMOTE OPERATION

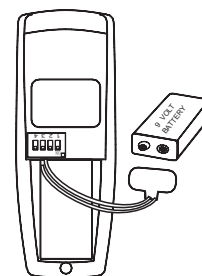
1. OPERATORS

- Installation of 9-volt battery (not included.) (To prevent damage to the transmitter, please remove the battery when not in use for a long time.)
- Store the transmitter in an excessively hot or humid place.
- To protect against possible interference from other remote units such as garage door openers, car alarms or security systems, etc., this remote control has 16 code combinations. If fans and lighting units do not operate smoothly without the remote control, simply change the code combination of your transmitter and receiver.
- Operate the buttons on the transmitter panel.
 - HI Key-for fan high speed
 - MED Key-for fan medium speed
 - Low Key-for fan low speed
 - OFF Key-for fan off.

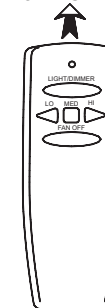
Light/Dimming key - light brightness and off.

- ★ 1. The light function can be increased or decreased by pressing the LIGHT/DIMMER key. Light key to quickly turn off or on the light.
- ★ 2. Continuously press the button for more than 0.7 seconds to switch to dimmer mode. Lights change in 0.8 seconds cycle. The receiver is able to store the brightness status of the last time the light was switched on or off so that it can continue to adjust the brightness of the light.

YOUR REMOTE NOW HAS FULL CONTROL OF THE FAN AND LIGHT.



OPERATION DISTANCE 20 FEET



MODEL:
HK-01

TRANSMITTER

Optional Wall Mounting for Transmitter Holder Place in accessible area of your home, and screw the transmitter holder into wall using the two screws provided, slide hand unit into holder.

2. TROUBLE SHOOTING GUIDE

- Make sure the power is properly connected to the receiver.
- Make sure the fan zipper (if present) is in the highest position.
- Make sure the light switch is turned on.
- Make sure the power generation and battery are intact.
- Make sure the keys are set in the exact same position on the transmitter and receiver.
- Make sure the transmitter is operating within 20 feet of the ceiling fan.

NOTICE !

Ceiling fans and lighting components must meet the following requirements.

- Do not use with solid state fans.
- Rated voltage: 120v, 60Hz, 3.5A.,
Max. motor current: 1.0A,
Max. light wattage: 240w (incandescent or LED)

WARNING :

To reduce the risk of interference, a wall control switch must be installed for each fan.

Note: The manufacturer is not responsible for any radio or TV interference.

Unauthorized modifications to the equipment, such modifications may void the user's authority to operate the equipment.

HOW TO INSTALL THE CANOPY SHELL



Note:
This procedure applies after the necessary wiring has been completed.

Tighten the shoulder screws. Fully assemble and tighten the second shoulder screw previously removed.

(Figure 1)



WARNING:
To avoid possible fire or electric shock, make sure the wires are completely inside the canopy enclosure and not sandwiched between the enclosure and the ceiling.

Use the keyway twist locking feature to securely fit the 3 "L" tabs of the canopy screw cover to the 3 slots in the canopy.

(Figure 2)

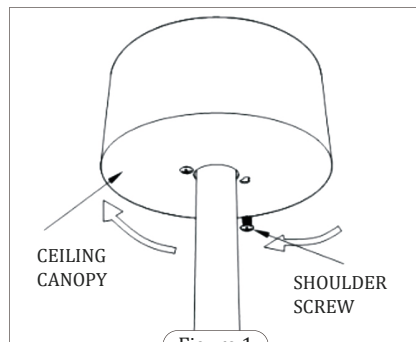


Figure 1

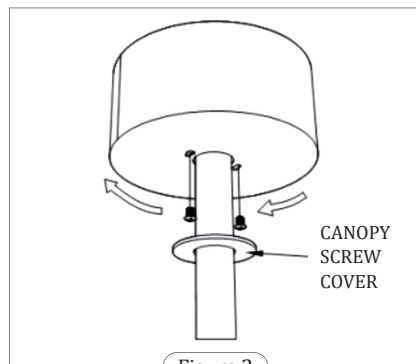


Figure 2

UNPACKING INSTRUCTION

PACKAGE CONTENTS

For your convenience, check-off boxes are provided next to each step. As each step is completed, place a check mark in the box. This will insure that all steps have been completed and will be helpful in finding your place should you be interrupted.



WARNING:

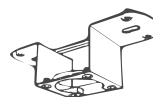
Do not install or use fan if any part is damaged or missing. This product is designed to use only those parts supplied with this product and/or any accessories designated specifically for use with this product by earn group. Substitution of parts or accessories not designated for use with this product by erangroup could result in personal injury or property damage.

1. CHECK TO SEE THAT YOU HAVE RECEIVED THE FOLLOWING PARTS:



Note:

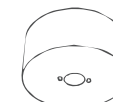
If you are uncertain of part description, refer to exploded view illustration provided on the last page of this install manual.



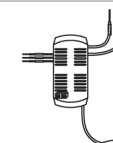
Hanger Bracket Assembly (1)



Motor Coupling Cover Assembly (1)



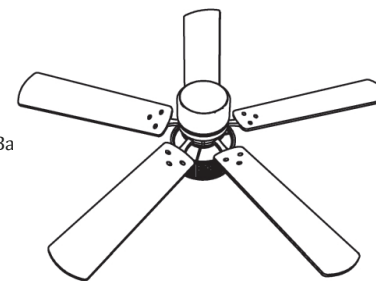
Ceiling Canopy (1)



Receiver (1)
Wire Connectors (6)

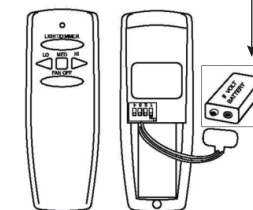


Downrod/Hanger Ba
Assembly (1)
-Downrod
-Hanger Ball
-Set Screw
-Hairpin Cilp
-Clevis Pin
-Pin



Motor Assembly (1)

Not included in package



Hand-help Remote(1)
Battery(1)

Hardware Bag



Wire Connectors (6)



Lock Washer (4)



Flat Washer (4)



Spring Washer (4)



Machine Screw (2)



Wood Screw (2)

HOW TO ASSEMBLE YOUR CEILING FAN

Loosen the set screw in the ball and remove the ball section from the lower rod/hanger basket until the ball drops freely to the lower rod.

Remove the pin from the lower rod and then remove the ball. Reinstall the pin and the hanger ball from step 6 .

(Figure 1)

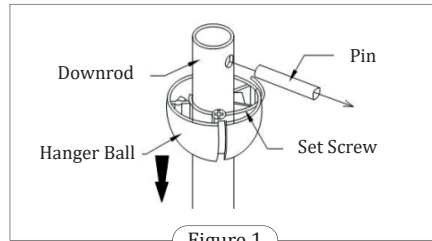


Figure 1

Remove the hair pin clip and Clavis pin from the bottom of the drop bar. Reinstall the pins and clips from step 4 .

(Figure 2)

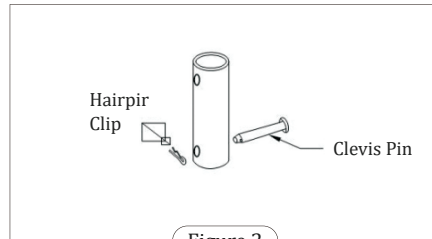


Figure 2

Loosen the two sets of screws in the lower rod support of the motor assembly . Route the black, white and blue wires through the lower rods.

(Figure 3)

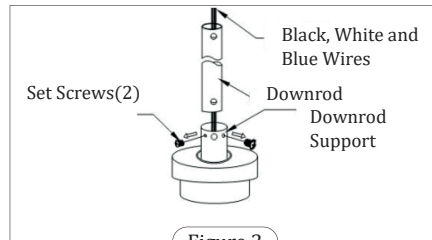


Figure 3

Thread the lower rod into the lower rod bracket on top of the engine. Match up the holes in the lower rod bracket with the holes in the lower tie rod. Then install the stuck tool pin. Tighten the two sets of screws in the lower rod bracket.

(Figure 4)

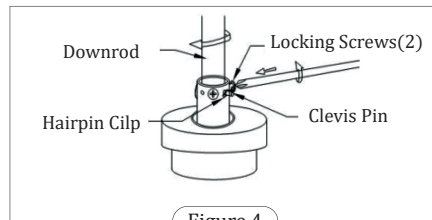


Figure 4



WARNING:

The firmness of the sleeve screw and the correct installation of the clamp ring pin in the lower pull rod support are very important. Otherwise, it may cause the fan to fall off.

The wire passes through the motor coupling cover, ceiling screw cover and ceiling.

(Figure 5)

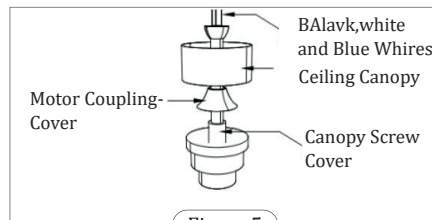


Figure 5

WIRING YOUR CEILING FAN(CONTINUED)



WARNING:

After the installation is completed, make sure that all connections are tight, including the ground wire, and there is no bare wire at the wire connection except the ground wire. Do not operate the fan until the blades are in place. Otherwise, it may cause noise and motor damage.

After the connection is completed, rotate the wire upward and carefully push the wire into the outlet box. White and green wires lead to one side of the box, and black wires lead to the other side .

(Figure 4)

Extend the bandage into the wave filter mounting holes and the screw holes of the hanger bracket and wrap the bandage tightly (in preparation for the subsequent installation of the roof canopy).

(Figure 5)

After the wires are connected, bundle the wires with cable ties, and then place the junction box in the hanger

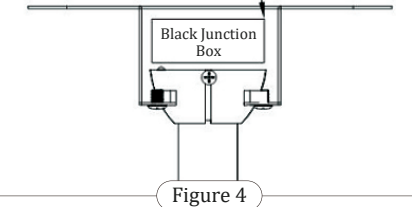


Figure 4

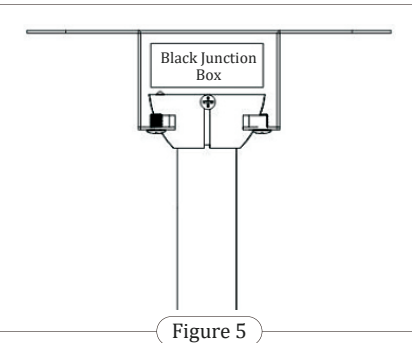


Figure 5

WIRE CONNECTION

1: Connect the household power and receiver wires with wiring connectors as shown in the diagram and in the following

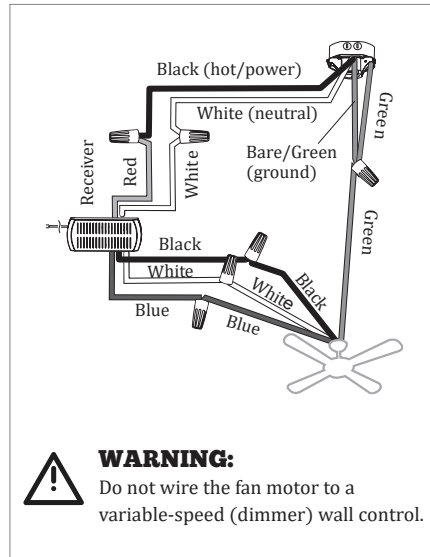
Steps:

Connect the green wire from the lower pole and mounting bracket to the bare/green power wire. (Grounding)

Connect the black power cord with the white label to the fan black power cord. Connect the white wire with the white label to the white fan wire.

Connect the red wire with the red tag to the black power (powered)

Connect the white wire with the red tag to the white (neutral) wire.



HOW TO ASSEMBLE YOUR CEILING FAN(CONTINUED)

To reinstall the hanger ball on the lower rod proceed as follows. Route the black, white and blue wires through the hanger ball. Locate the pin through the two holes in the lower tie rod and align the hanger ball so that the pin is clamped in the top slot of the hanger ball. Pull the hanger ball up tightly against the pin. Securely tighten the set screws in the hitch ball.

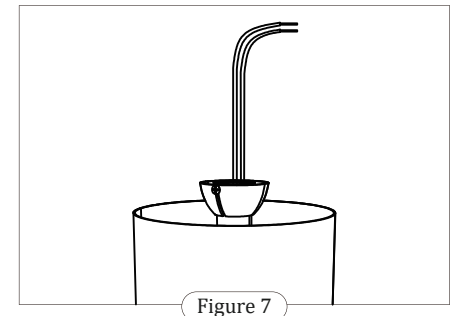
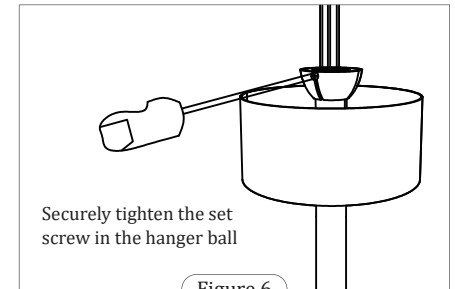
Note!: Untightened screws will cause the fan to become unstable. (Figure 6)

Cut the excess leads approximately 6-9 inches above the lower rod. Form a 1/2 inch strip of insulation at the end of each lead. (See Figure 7)

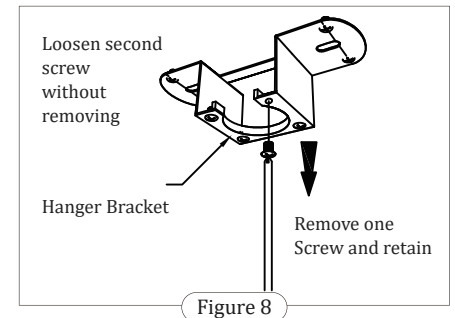


CAUTION:

All set screws must be checked, and retightened which is necessary before installation.



Remove one of the two shoulder screws in the hanger bracket, keeping the screw in reserve. Loosen the 2nd shoulder screw, but do not remove it completely. (Figure 8)



HOW TO HANG YOUR CEIL IN



WARNING:

To avoid possible accidents or electric shocks, make sure the power is disconnected at the main fuse box before hanging. (Figure 1)



Note:

If you are not sure whether the outlet box is grounded, please contact a licensed electrician for advice. The outlet box must be grounded for safe operation.



WARNING:

The fan must be hung with a minimum clearance of 3.5 meters from the floor to the ceiling fan. (Figure 2)

Use the outlet box screws and washers that come with the outlet box to securely fasten the hanger bracket to the outlet box. (Figure 3)



WARNING:

The outlet box must be securely fastened. The hanger bracket must be seated against the outlet box. If outlet box is recessed, remove wall plate until bracket contacts box. Fan may wobble or fall if bracket and/or outlet box are not securely attached.

Carefully lift the fan and install the drop bar/hanger ball assembly onto the hanger bracket on the air outlet box. Make sure the notches inside the ball align with the attached tabs on the hanger bracket. (Figure 4) This fan is only available for the standard and angled mounting options. The flush mount option is not available. For angled ceilings, be careful that the angle does not exceed 20°.



WARNING:

Displacement of the seat tab in the groove can result in wire damage as well as possible shock or re-hazard.



WARNING:

To avoid possible shock, do not pinch the wire between the hanger ball assembly and the hanger bracket.

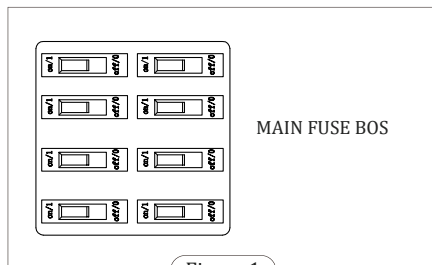


Figure 1

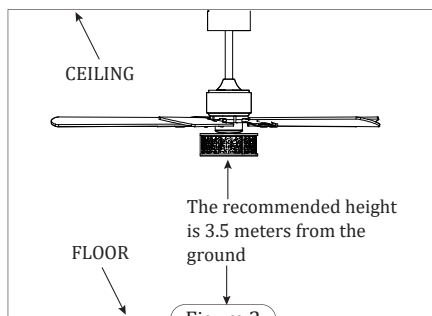


Figure 2

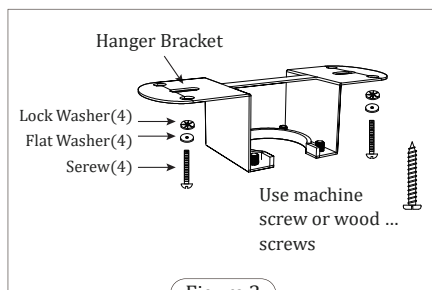


Figure 3

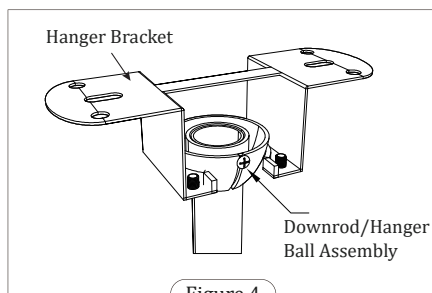


Figure 4

PAIR REMOTE & RECEIVER



Note:

There are 16 different code combinations for remote units. To prevent possible interference from or to other remote units, simply change the combination codes on the remote and receiver side.

To set the code on the receiver unit, slide the dip angle to switch to the same position as set on the remote control. (Figure 1)



Note:

The factory default setting is all dip switches. Do not use this position.

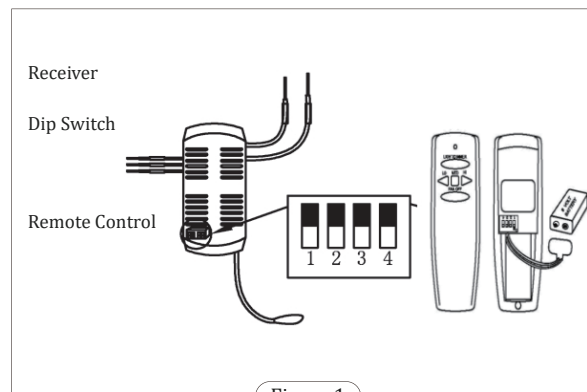


Figure 1

WIRE THE CEILING FAN



WARNING:

To avoid possible electrical shock, be sure electricity is turned off at the main fuse box before wiring. (Figure 2)



Note:

If you are not sure whether the outlet box is grounded, contact a licensed electrician for advice, as the outlet box must be grounded for safe operation.

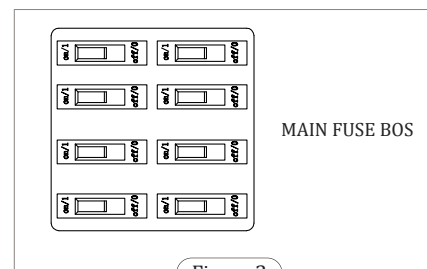


Figure 2

Turn electricity off at the main fuse box before wiring the fan.