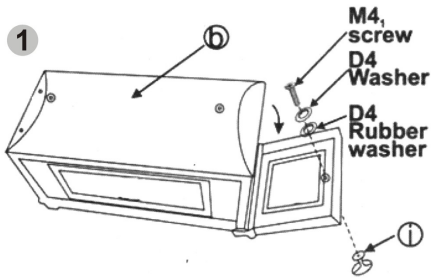
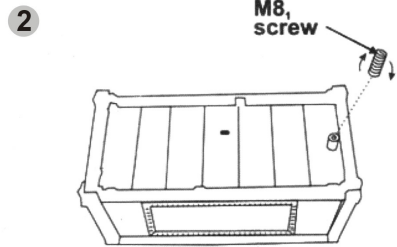


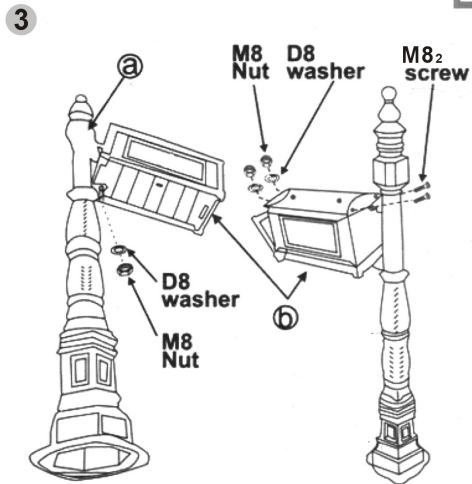
## Assembly Instructions



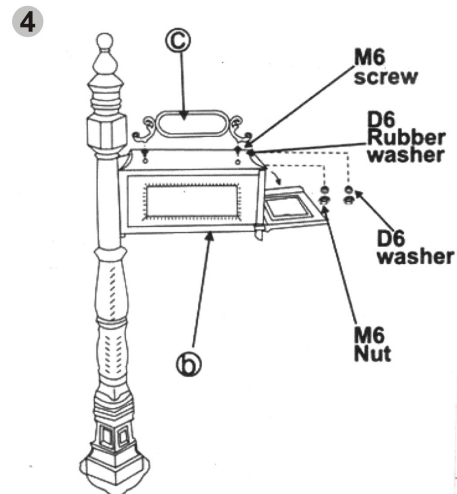
Open the door of the mailbox(b), then attach the large brass knob(i) to the front of the door with M4, screw, D4 washer and D4 rubber washer.



With the bottom facing up, insert M8, screw into the screw hole at the bottom rear of the mailbox.

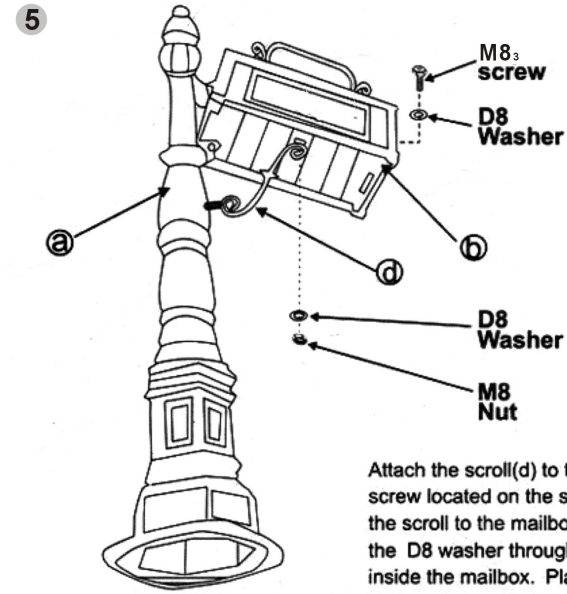


Attach the mailbox(b) to the post(a) on the bottom side with M8 nut and D8 washer and on the top side with 2 M8<sub>2</sub> screws, 2 M8 nuts and 2 D8 washers. (M8<sub>2</sub> screw: M8 x 35mm)

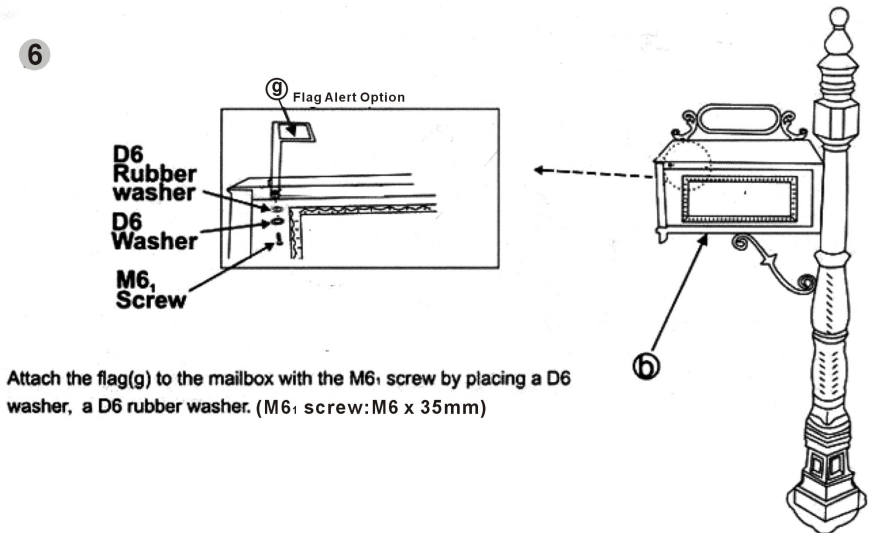


Place 2 D6 rubber washers over 2 M6 screws pre-inserted into the bottom of the number plate(c). Secure the number plate from inside the mailbox(b) using 2 D6 washers and 2 M6 nuts.

## Assembly Instructions



Attach the scroll(d) to the post(a) by placing the pre-inserted screw located on the scroll into the hole on the post. Secure the scroll to the mailbox(b) by inserting the M8<sub>3</sub> screw and the D8 washer through the mailbox and the scroll from inside the mailbox. Place D8 washer and M8 nut over the bolt and tighten. (M8<sub>3</sub> screw: M8 x 35mm)



Attach the flag(g) to the mailbox with the M6<sub>1</sub> screw by placing a D6 rubber washer, a D6 rubber washer. (M6<sub>1</sub> screw: M6 x 35mm)