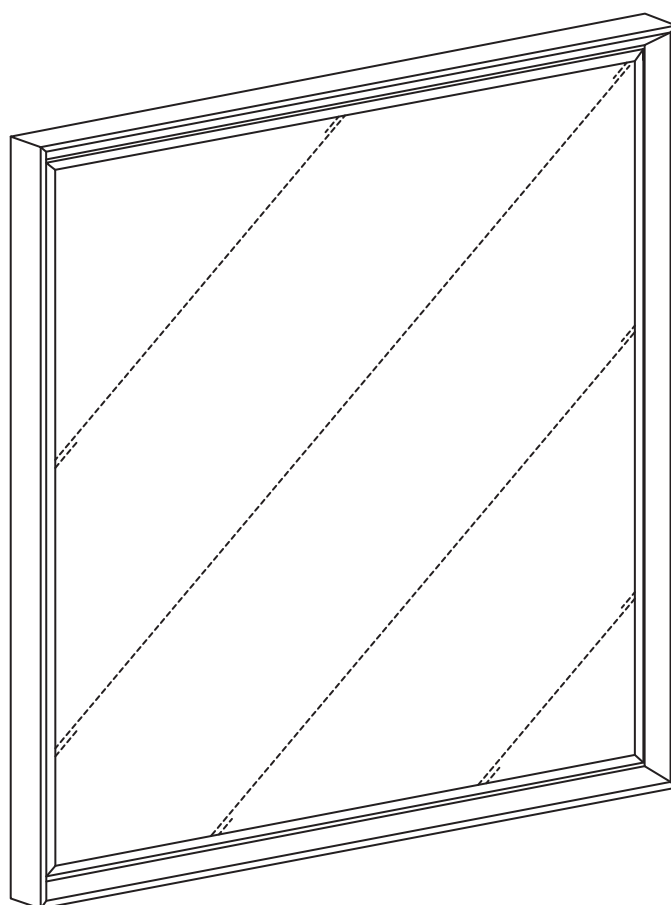


## ALLOY FRAME MIRROR



# Installation Instruction

Please read this instruction carefully before the installation and keep it for the future use and the warranty.

 **Manufacturer warranty for 2 years from date of purchase.**

## **General Guidelines**

1. Please carefully read the following instructions and use the product accordingly.
2. Keep this manual and pass it on when transferring the product.
3. This summary may not include every detail of all variations and considered steps. If you need further information or assistance, please feel free to contact us

## **Warnings**

1. Children are not allowed to assemble the product. During assembly, please ensure that small parts are kept out of the reach of children, as they may pose a choking hazard if swallowed or inhaled.
2. Keep plastic packing bags out of reach of children to prevent suffocation or other potential dangers.
3. Avoid using sharp objects or corrosive chemicals on the product, as they can cause damage to both the product and the user.
4. Please refrain from using the product if any parts are defective or missing, as this may result in damage or injury.

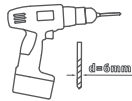
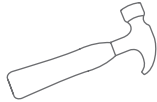


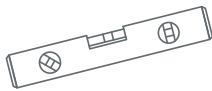
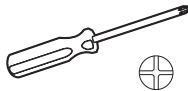

## **Notes**

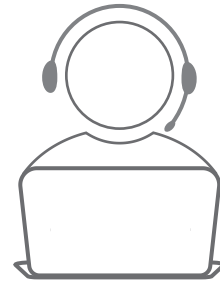
1. This product is intended for indoor use only. Any use of the product outside of its intended purpose or any modifications made to the product from its original design may result in personal injury or damage to the product. Please assemble and use the product following the instructions provided in the manual. The seller cannot be held responsible for any damage caused by incorrect assembly or improper use.
2. When assembling the product, start by loosely aligning all screws with their corresponding pre-drilled holes before tightening them one by one.
3. It is recommended to periodically inspect the tightness of screws while the product is in use. If necessary, re-tighten them to ensure the structural integrity of the product.

# ATTENTION

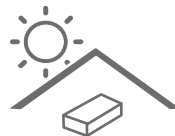


Not Offering

 Electric Drill	 Hammer	 Marker Pen	 Tape Measure
 Level	 Phillips Screwdriver	 Safety Goggles	



KEEP DRY

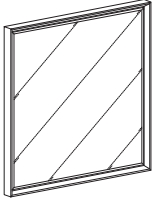





NO SUN EXPOSURE



SOFT DRY CLOTH

# PARTS LIST

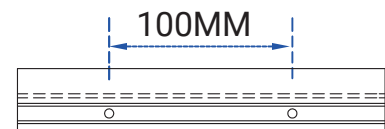
			
Mirror x 1	Bracket x 1	5/32" (φ4*40mm) Screws x (4+1)	1/4" (φ6*40mm) Anchors x (4+1)



## BEFORE INSTALLATION

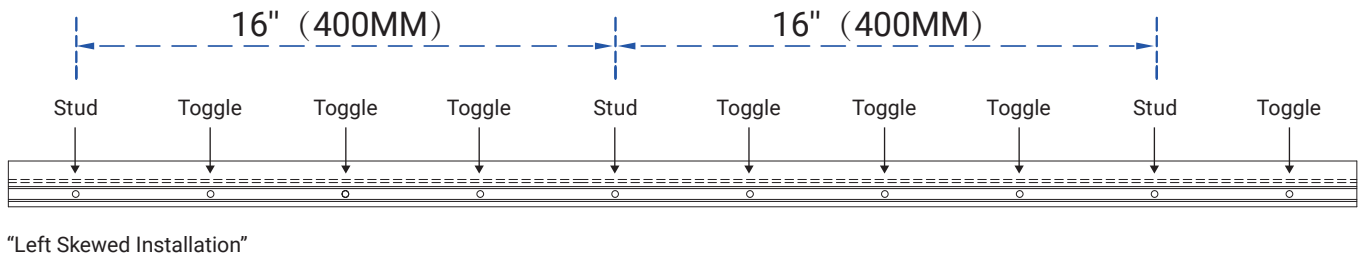
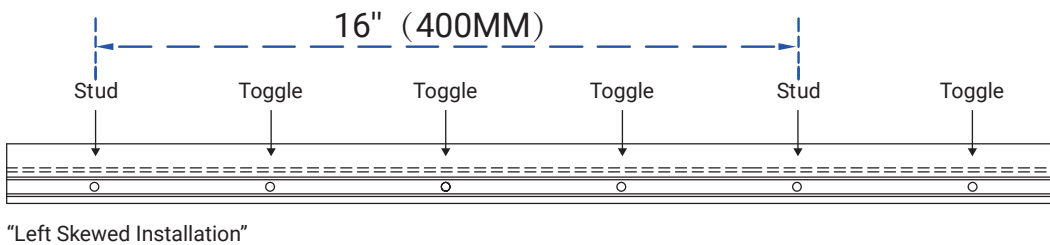
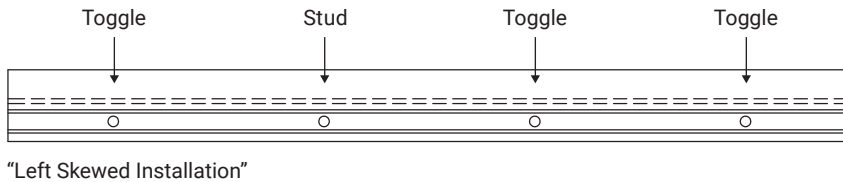
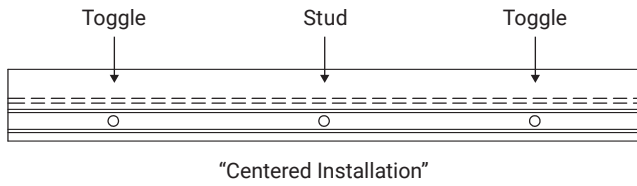
- Tips: The mirror can be hung on horizontally or vertically. You can choose the hanging method according to your preference.
- For safety and ease of mounting, installation is recommended using two people.
- Please confirm the installation position and installation height of the hang bracket supplied, and use a spirit level to make sure the bracket be leveled. Then mark the hole positions on the wall.

\*The spacing between each two holes is 4 in (100mm).

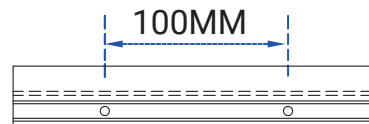




# ILLUSTRATIVE GRAPH



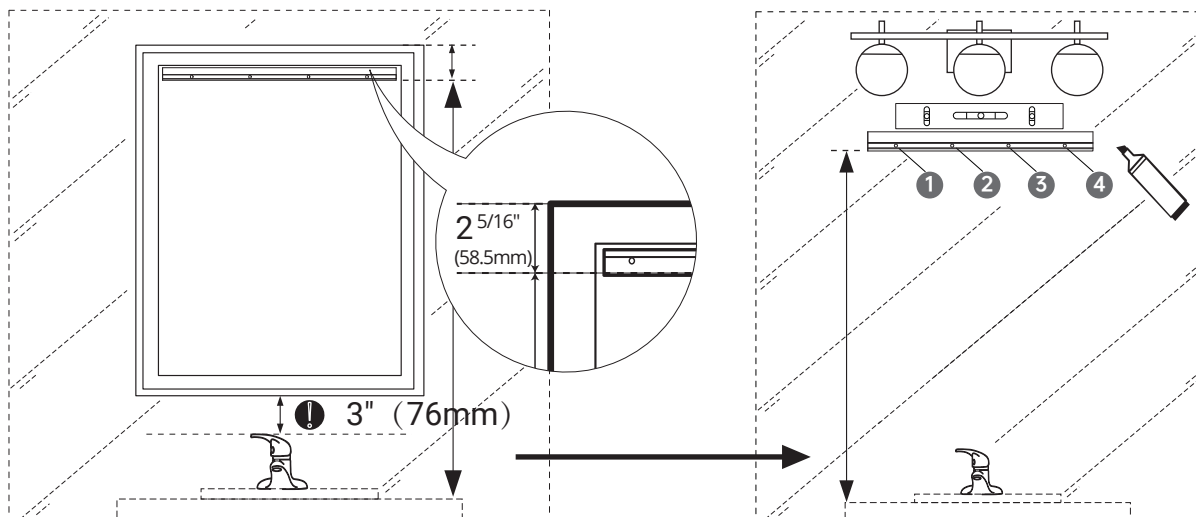
\*The spacing between each two holes is 4 in (100mm).



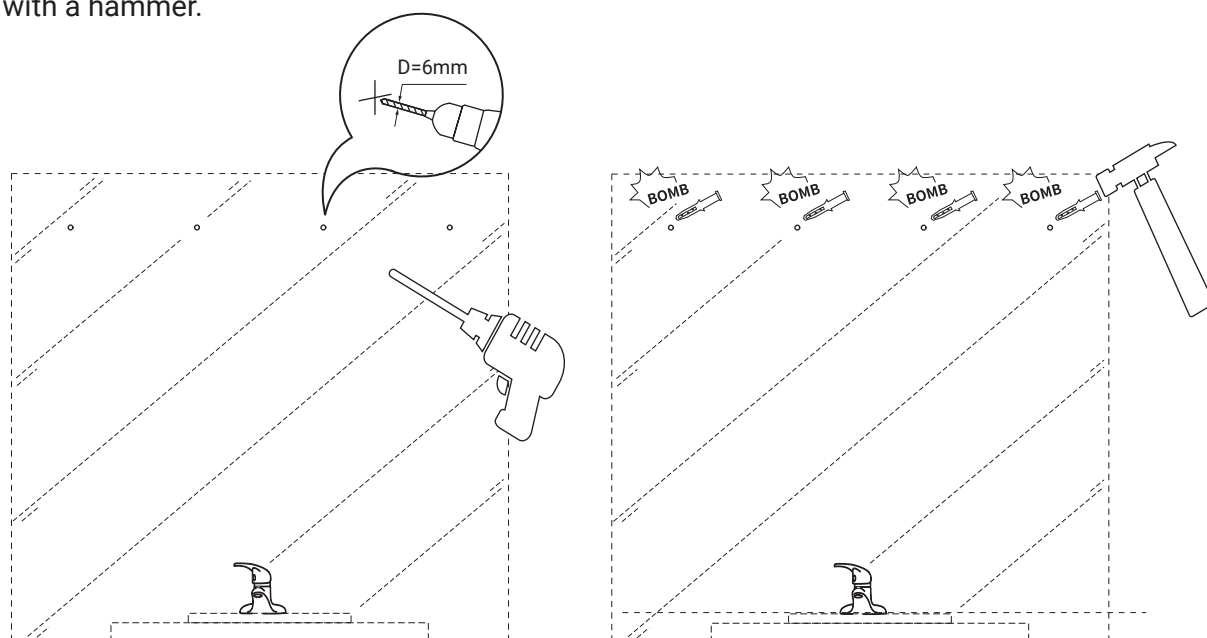
- If walls are stud or dry Wall, or use toggle anchor please consult a licensed contractor and your local hardware store for assistance.
  - Using the electronic stud finder and mark stud locations using the pencil.
- (Note: It is best to mount the bracket to at least (1) stud, using the illustrative graph shown below for reference. Wood studs are typically located every 16", on center.)


# 1 ATTENTION


- The distance between the bottom of bracket to the top of the mirror is  $2\frac{5}{16}"$  (58.5mm).
- The recommended installation safety distance is 3 inch(at least) from the faucet.



# 2 To punch holes on the marked spots with an electric drill, and then punch the wall anchors with a hammer.

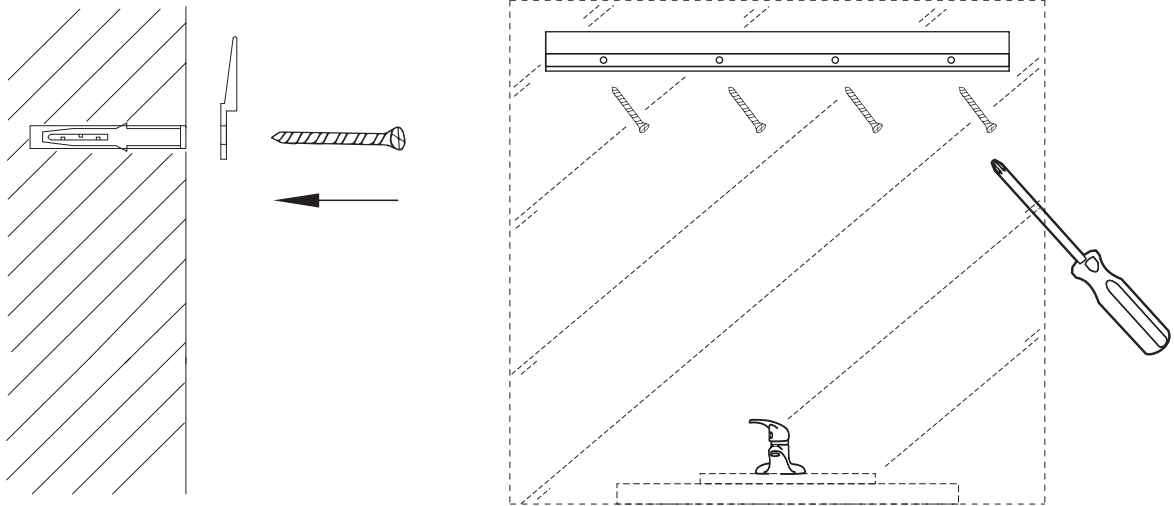


 Note: Please wear goggles and pay attention on your safety.

Anchors  4 PCS

3

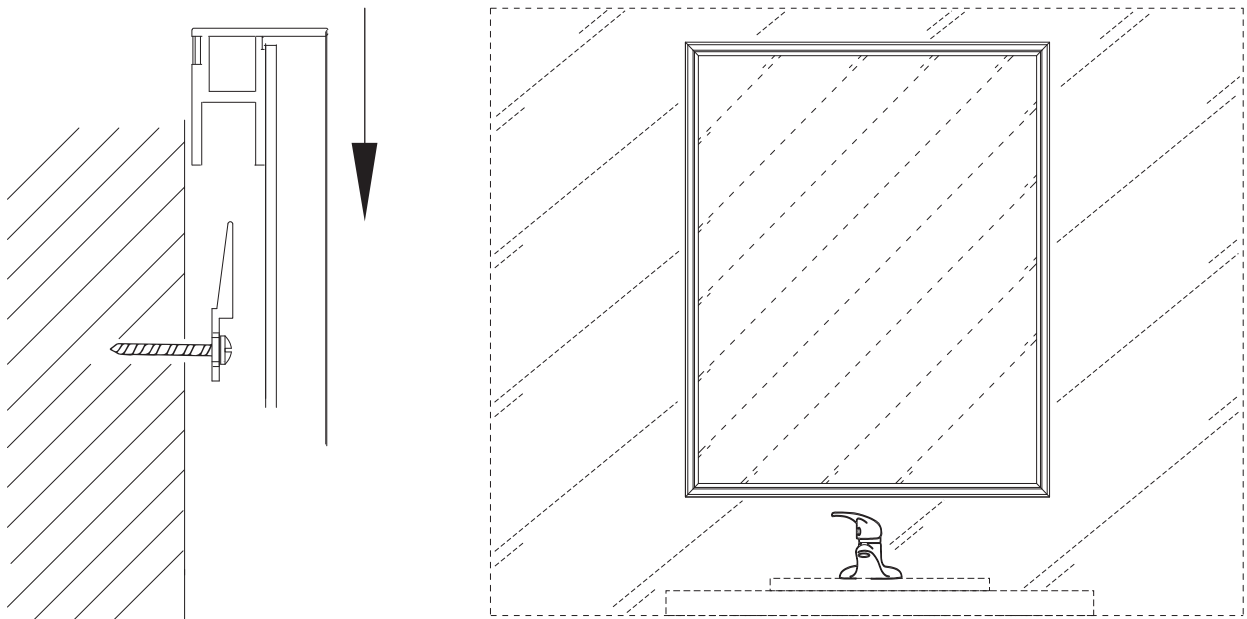
Mount the bracket to the wall with screws.



Screws  4 PCS

4

Align the mirror hook with the bracket slot, slowly lower the mirror so that the hook fits into the slot, and gently shake the mirror to ensure that the mirror is securely installed.



Note: Two-person installation.

Congratulations!