

ASSEMBLY INSTRUCTIONS



Dining Table

ASSEMBLY INSTRUCTIONS

ASSEMBLY TIPS:

1. Remove hardware from box and sort by size.
2. Please check to see that all hardware and parts are present prior to start of assembly.
3. Please follow attached instructions in the same sequence as numbered to assure fast & easy assembly.

WARNING!



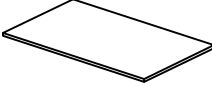

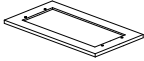


1. Don't attempt to repair or modify parts that are broken or defective. Please contact the store immediately.
2. This product is for home use only and not intended for commercial establishments.







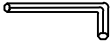
ASSEMBLY TIME

15 MINUTES

PARTS IDENTIFICATION

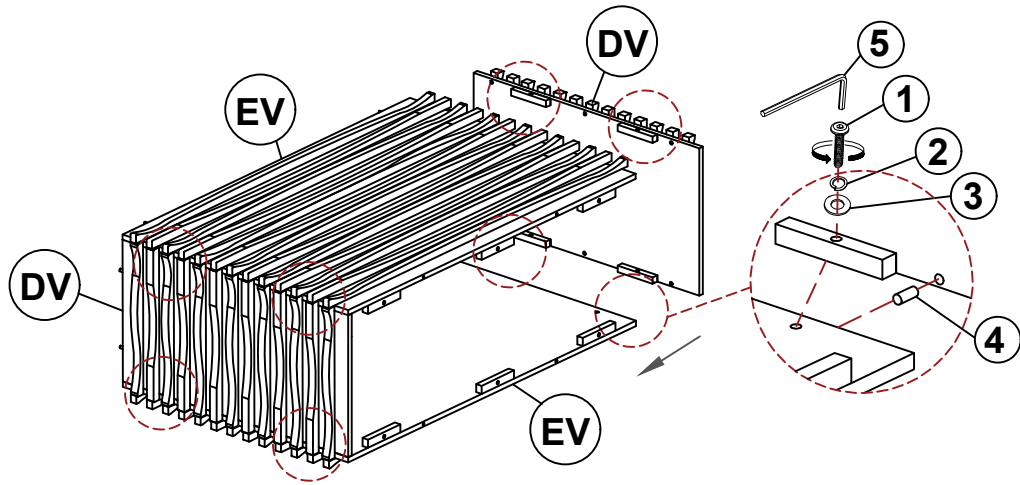
AV	TOP		1PC
BV	MOUNTING PLATE		1PC
CV	BASE		1PC
DV	SHORT SIDE PANEL		2PCS
EV	LONG SIDE PANEL		2PCS

HARDWARE IDENTIFICATION

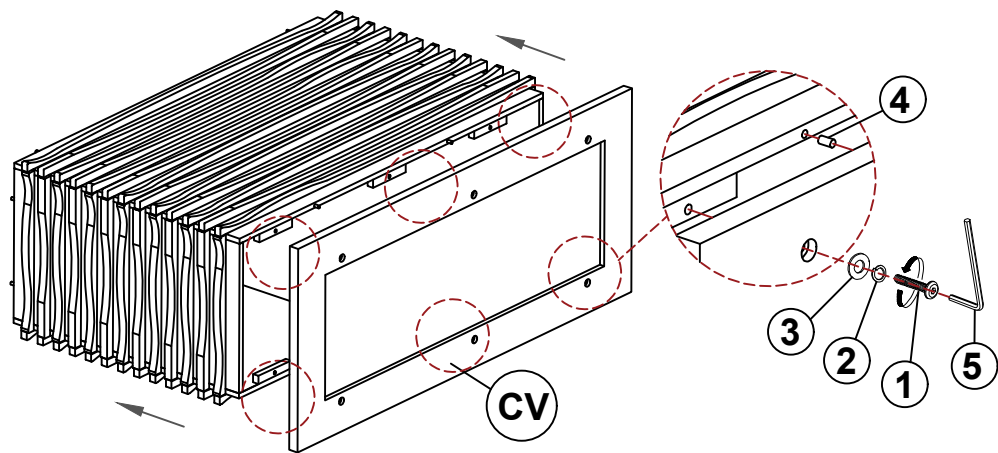
1	BOLT (Ø1/4" x 1-1/4" - RBW)		26PCS
2	LOCK WASHER (Ø1/4" - RBW)		26PCS
3	FLAT WASHER (Ø1/4" - RBW)		26PCS
4	WOOD DOWEL (Ø8x30MM - RBW)		20PCS
5	ALLEN WRENCH (4MM - RBW)		1PC

ASSEMBLY INSTRUCTIONS

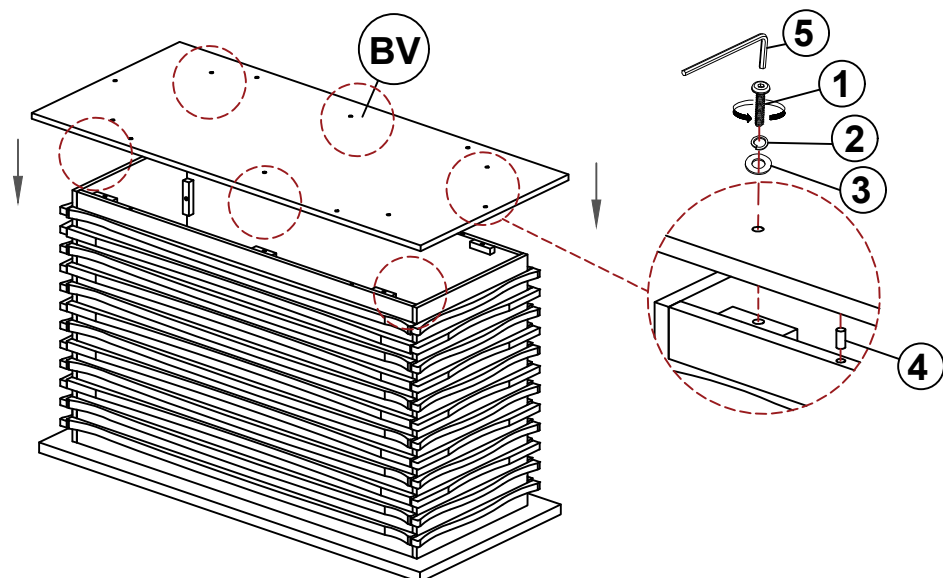
STEP 1



STEP 2

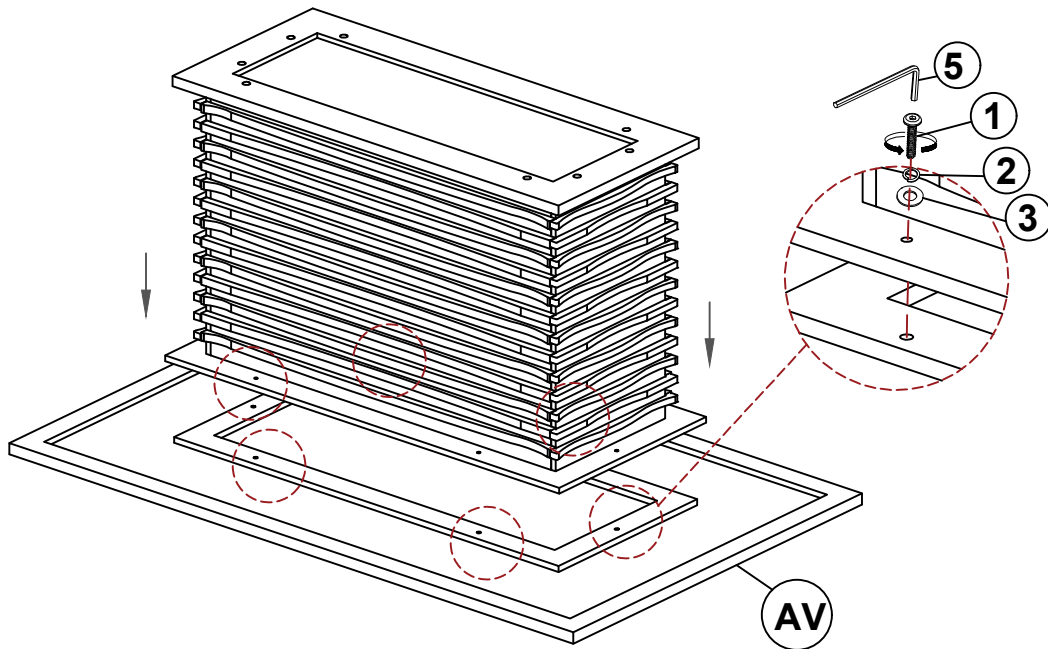


STEP 3

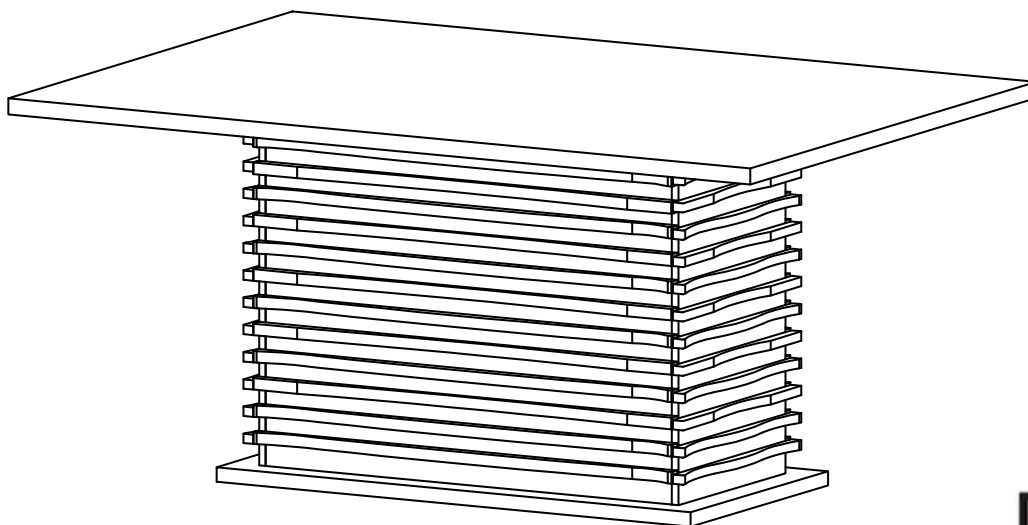


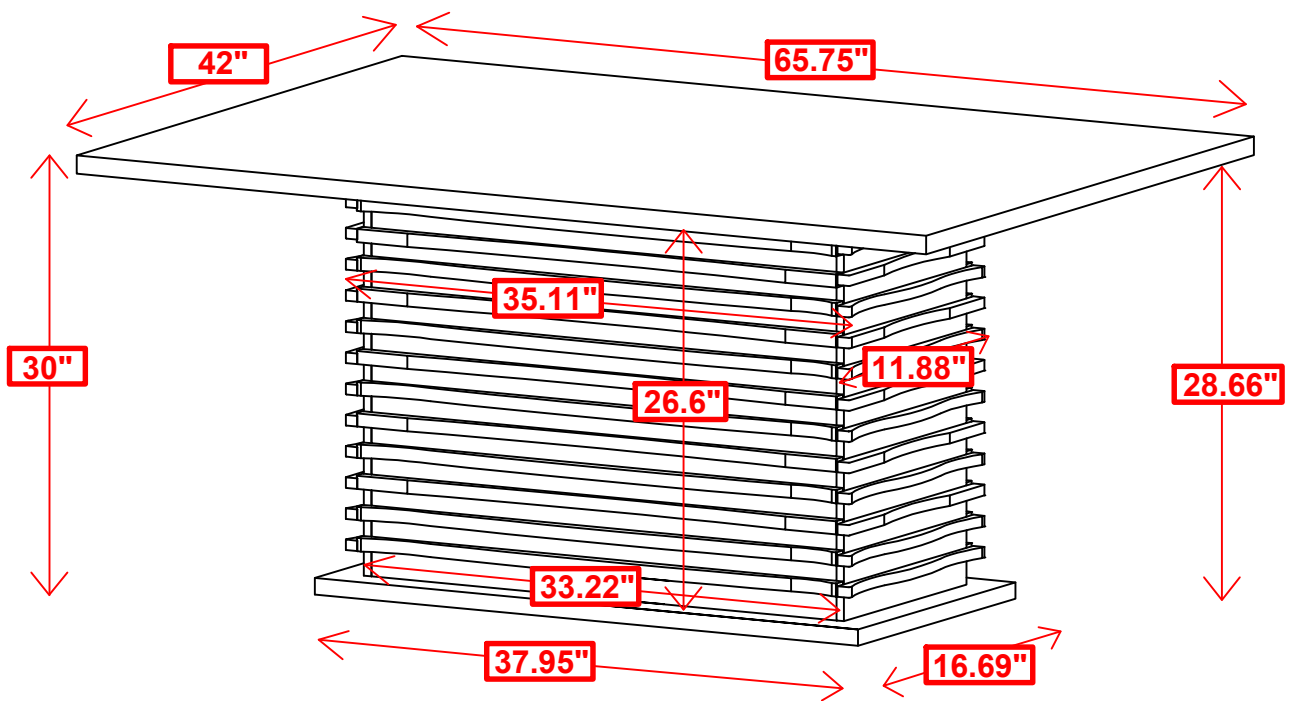
ASSEMBLY INSTRUCTIONS

STEP 4



STEP 5 COMPLETE





Note: Dimension tolerance $\pm 5\%$