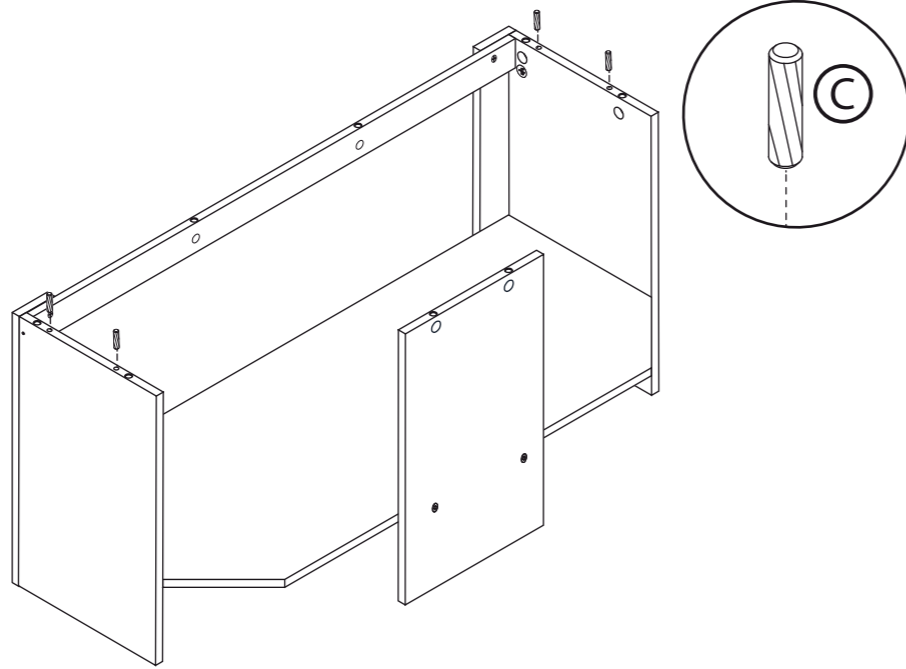


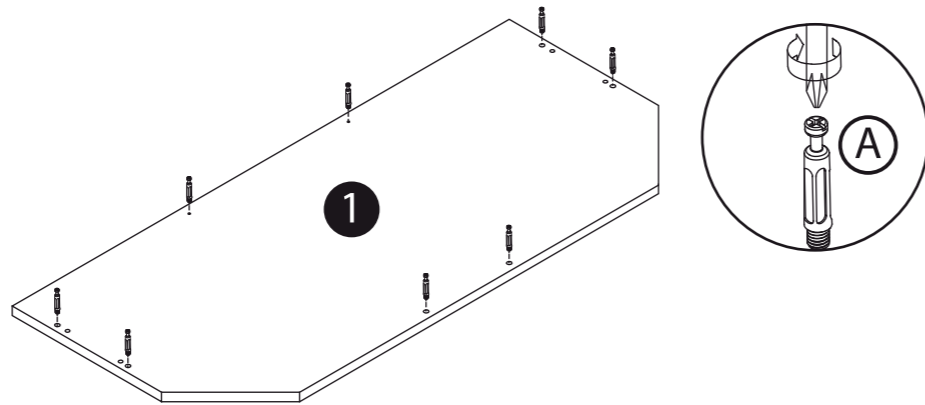
7

(C) x4



8

(A) x8



9

NOTE: Once part 1 is fitted secure with 8 part Bs. Make sure all part Bs are tightened to secure the top in place. Use Part D to cover any visible part B's.

(B) x8

(D) x6

