

Assembly Instruction

Multipurpose Computer Writing Desk

00:30

Approx. 30 minutes

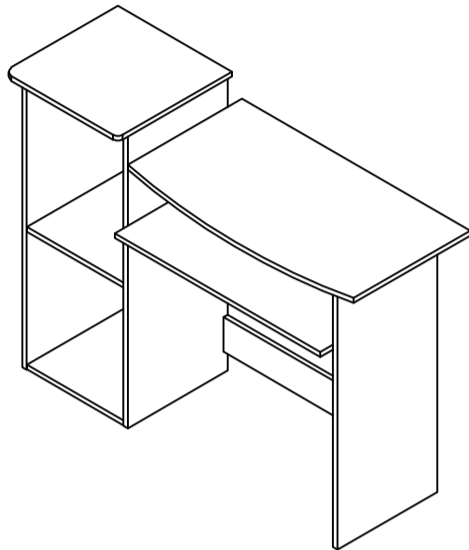


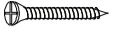

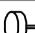

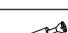
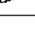


Recomm. 2 Person

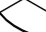
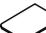
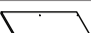
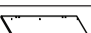
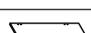
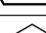

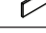



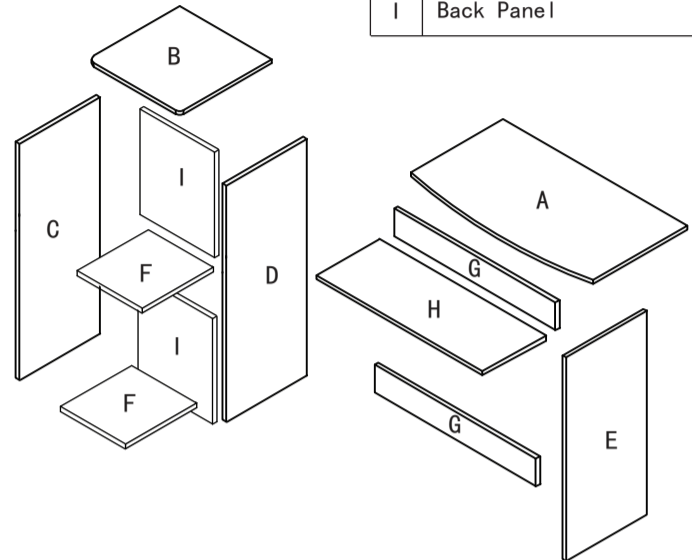
Tools Required

DIMENSION : 33"(W) x 30.6"(H) x 15.6"(D)



No	Hardware List	Qty
1	Screw 	18pcs
2	Wooden Dowel 	6pcs
3	Nail Leg 	6pcs
4	Cam-Lock Nut 	6pcs
5	Cam-Lock Screw 	6pcs
6	Power Pin 	16pcs
7	Drawer Slide 	1pcs
8	Short Screw 	8pcs

No	Parts List	Qty
A	Top Panel 1 	1pcs
B	Top Panel 2 	1pcs
C	Left Side Panel 	1pcs
D	Center Panel 	1pcs
E	Right Side Panel 	1pcs
F	Shelf Panel 	2pcs
G	Cross Bar 	2pcs
H	Keyboard Panel 	1pcs
I	Back Panel 	2pcs

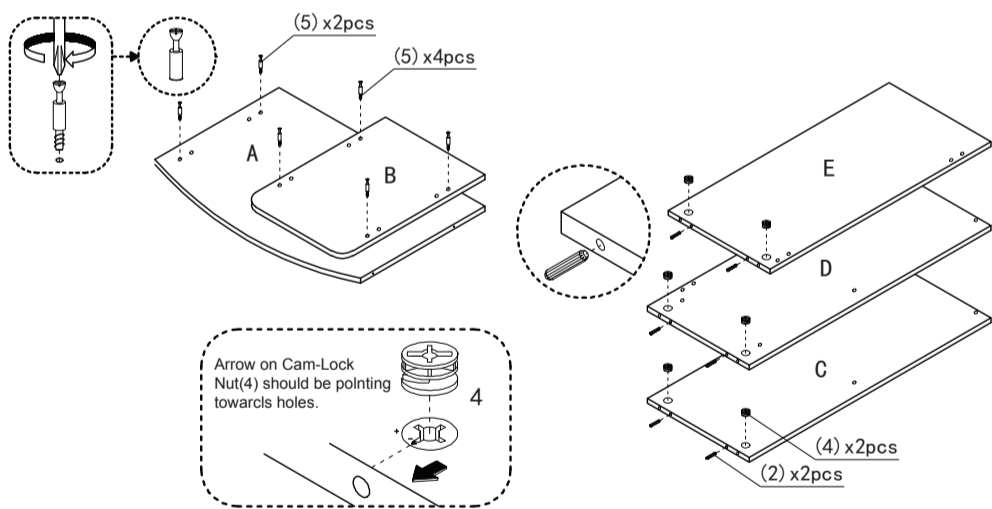


USEFUL HINTS BEFORE YOU START:

1. Read each step carefully before starting.
2. It is important that each step is performed in correct order to avoid difficulties.
3. Identify, sort and count the parts before assembly.
4. Assemble your furniture on packaging cardboard to prevent scratch or damage.
5. Clean the product with mild cleanser using soft dampened cloth. Do not use harsh or abrasive cleanser.
6. Using incompatible hardware might cause damage to product.

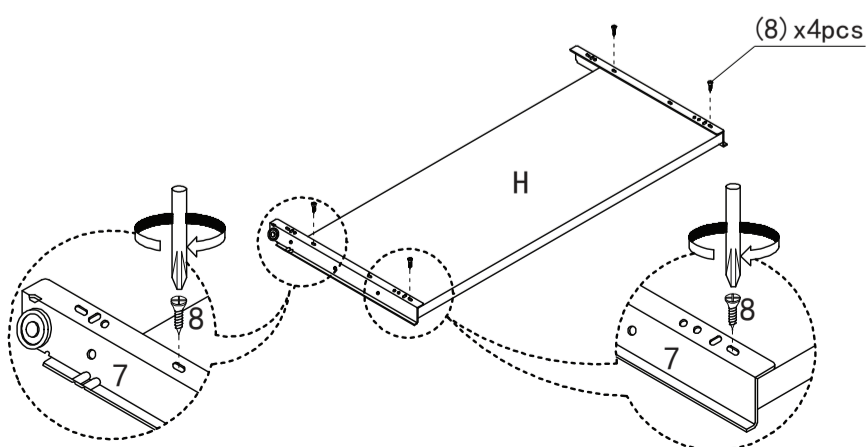
STEP 1

- 1.1 Insert Dowel (2) and Cam-Lock Nut (4) to Panel (C) (D) & (E), as shown.
- 1.2 Screw Cam-Lock Screw (5) into the pre-drilled holes on Panel (A) & (B).



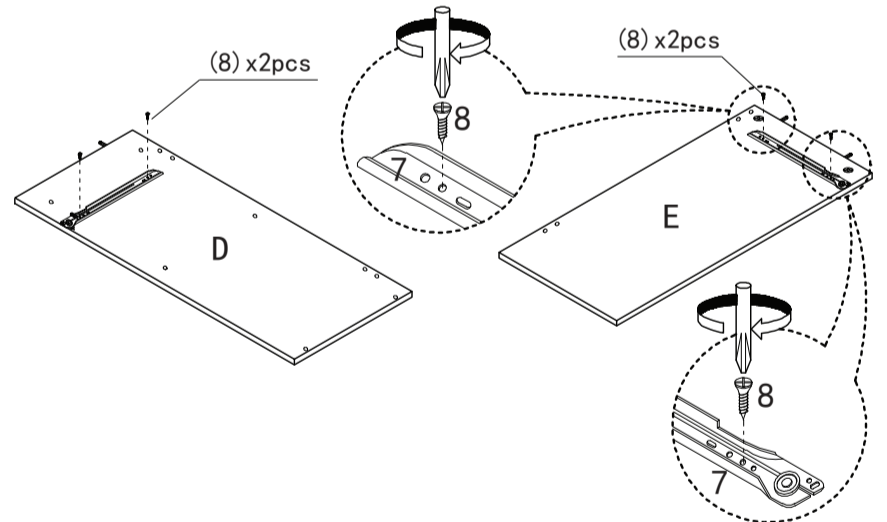
STEP 2

- Fix Drawer Slide (7) to Panel (H) using Screw (8).
- Note: Please make sure left/right side of Drawer Slide (7) before attach it.



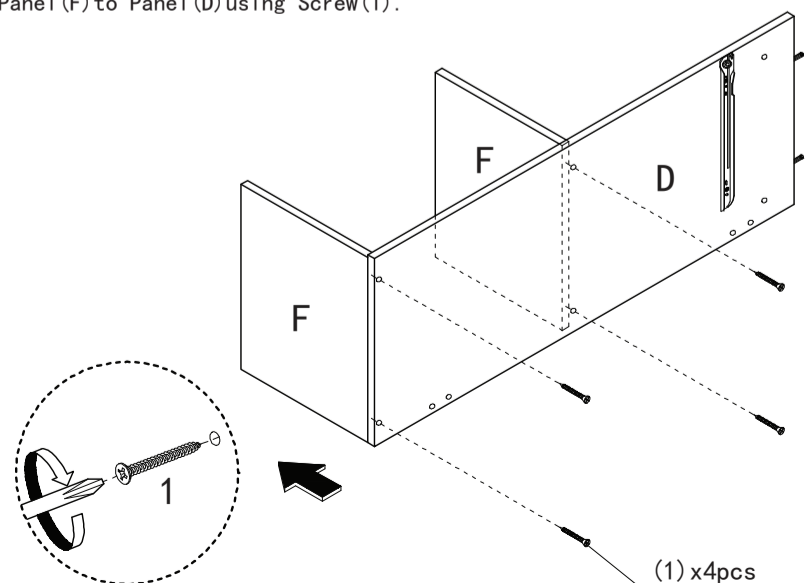
STEP 3

- Fix Drawer Slide (7) to Panel (D) & (E) using Screw (8).
- Note: Please make sure left/right side of Drawer Slide (7) before attach it.



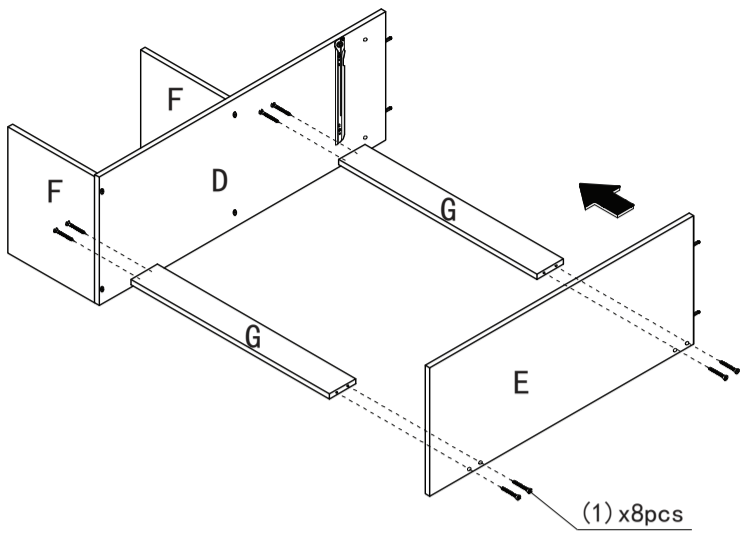
STEP 4

- Attach Panel (F) to Panel (D) using Screw (1).



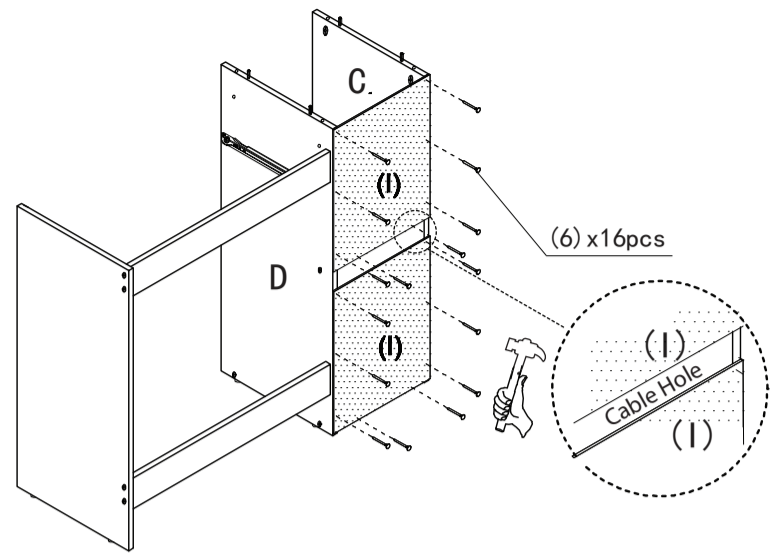
STEP 5

Attach Panel (G) to Panel (D) & (E) using Screw (1).



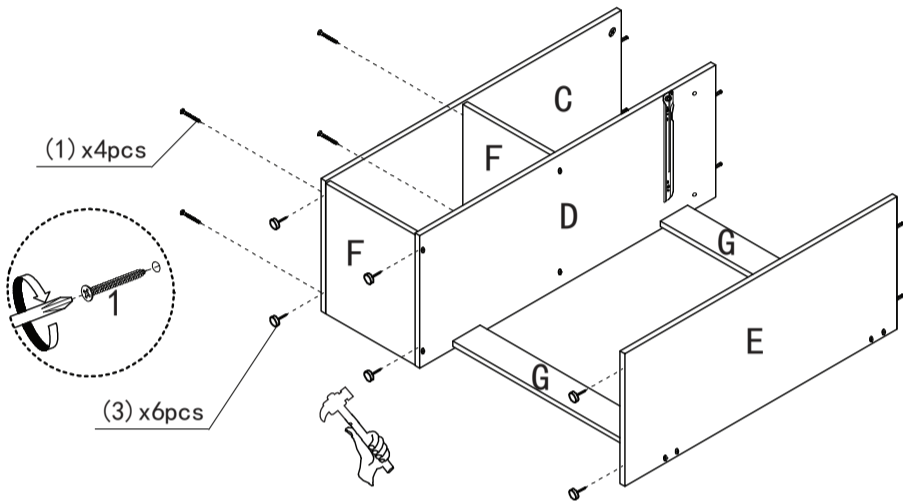
STEP 7

Attach Back Panel (I) to the back position of Panel (C) & (D) using Power Pin (6).



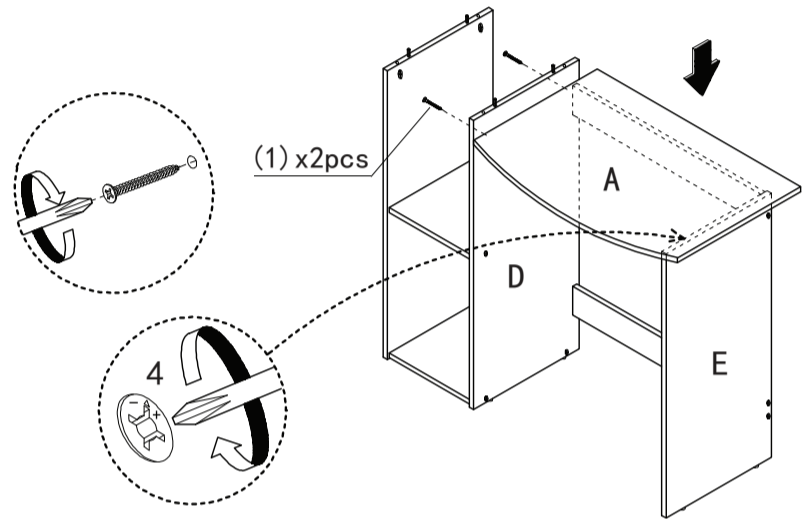
STEP 6

- 6.1 Attach Panel (C) to assembled parts using Screw (1).
- 6.2 Install Nail Leg (3) to the bottom of Panel (C) (D) & (E) using hammer.



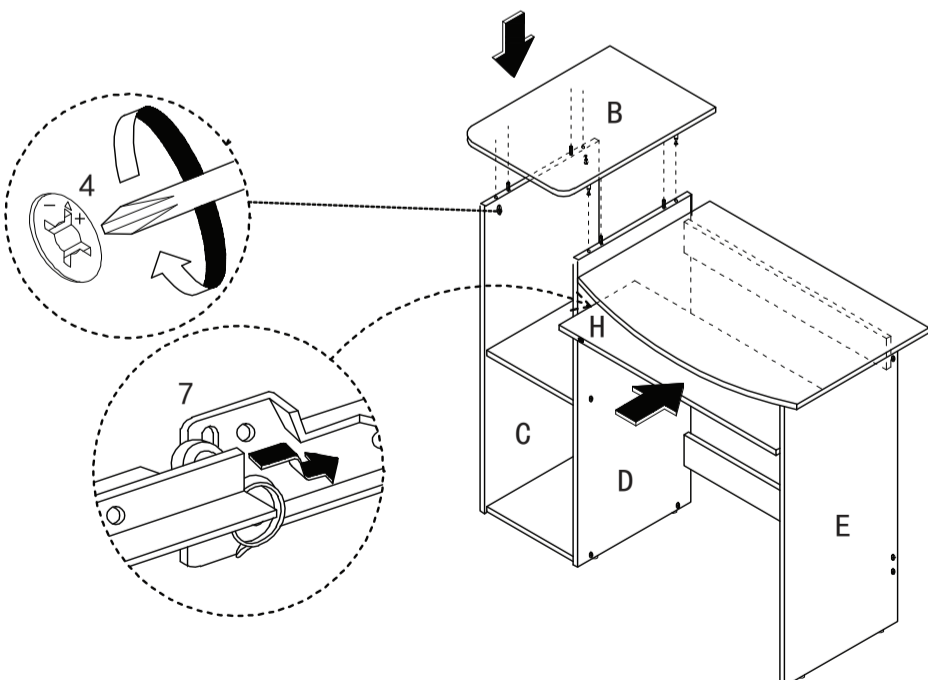
STEP 8

- 8.1 Attach Panel (A) to Panel (D) using Screw (1).
- 8.2 Tighten Cam-Lock Nut (4) on Panel (E) by using screwdriver.

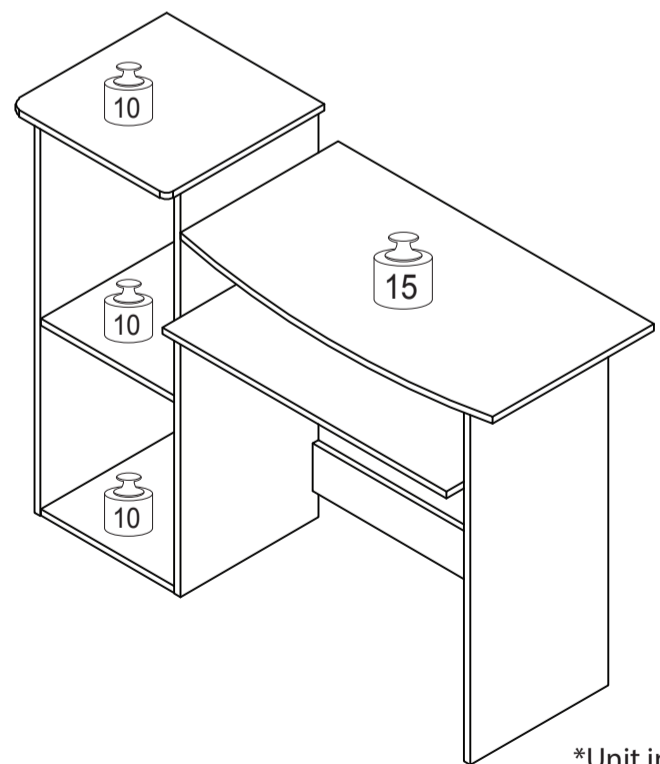


STEP 9

- 9.1 Attach Panel (B) to Panel (C) & (D) and tighten Cam-Lock Nut (4) using screwdriver.
- 9.2 Slide the Keyboard Panel (H) to the assembled unit.



Recommended Maximum Weight



*Unit in Pound(lbs)

WARNING:

>This unit has been designed to support the maximum loads shown. Exceeding these load limits could cause sagging, instability, product collapse, and/or serious injury.

>DO NOT allow children to climb on unit.

>Put heavier items on lower shelves.