

**PLEASE READ AND SAVE FOR FUTURE REFERENCE.**

**CAUTION**

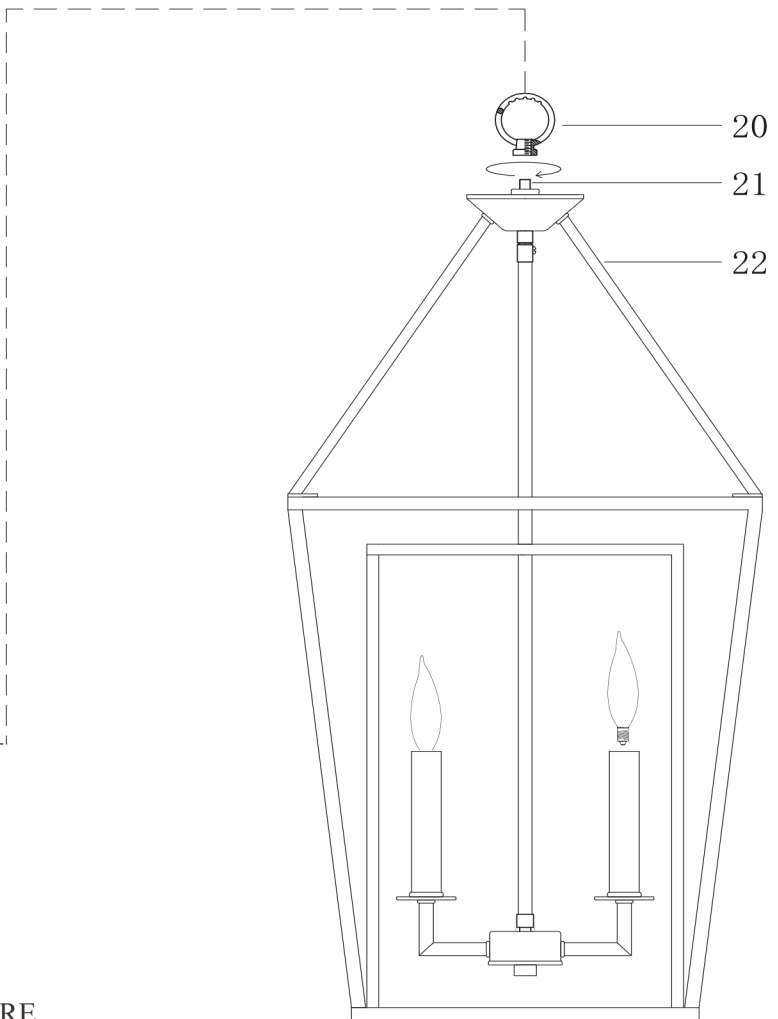
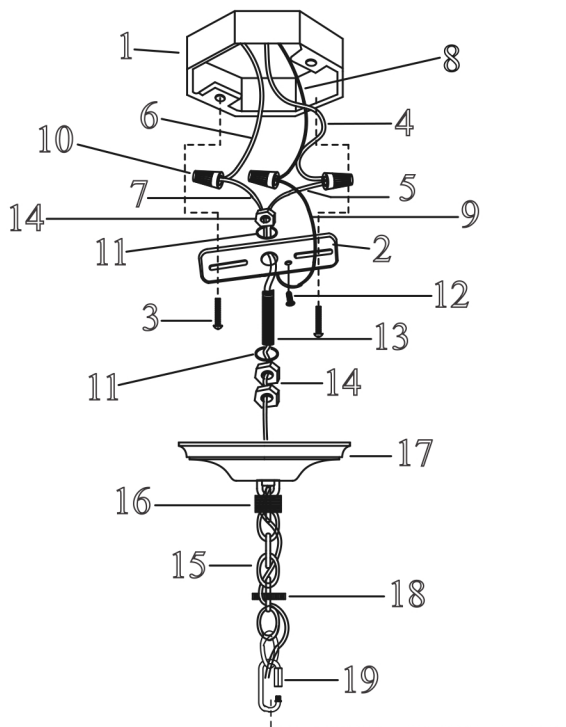
1. Turn off the main power at the circuit breaker before installing the fixture in order to prevent possible shock.
2. All electrical connections must be in accordance with local and National Electrical Code (N.E.C.) standards. If you are unfamiliar with proper electrical wiring connections, obtain the services of a qualified electrician.

**GENERAL**

Remove all parts and hardware from the box and make sure that none are missing by referencing the illustrations provided.

**Bulb Required (not included): 1 Candelabra Base 60 Watt Max. (For 4LT)**

**2 Candelabra Base 60 Watt Max. (For 6LT)**



**PENDANT**

1. OUTLET BOX (not included)
2. MOUNTING STRAP (pre-attached)
3. OUTLET BOX SCREWS and WASHERS (pre-attached to outlet box)
4. BLACK SUPPLY WIRE (not included)
5. SMOOTH (or BLACK) FIXTURE LEAD WIRE
6. WHITE SUPPLY WIRE (not included)
7. RIBBED (or WHITE) FIXTURE LEAD WIRE
8. SUPPLY GROUND WIRE (not included)
9. FIXTURE GROUND WIRE
10. WIRE CONNECTORS
11. STAR WASHERS (pre-attached)
12. GROUND SCREW (pre-attached)
13. THREADED ROD
14. HEX NUTS (pre-attached)
15. CHAIN
16. SCREW COLLAR LOOP (pre-attached)

17. CANOPY
18. THREADED RING (pre-attached)
19. CONNECTING CHAIN LINKS
20. FIXTURE LOOP (pre-attached)
21. THREADED ROD (pre-attached)
22. FIXTURE