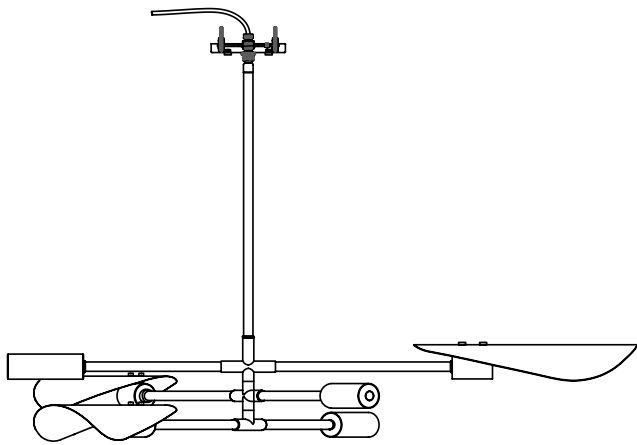



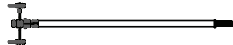
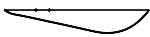
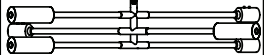




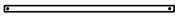
# ASSEMBLY INSTRUCTIONS

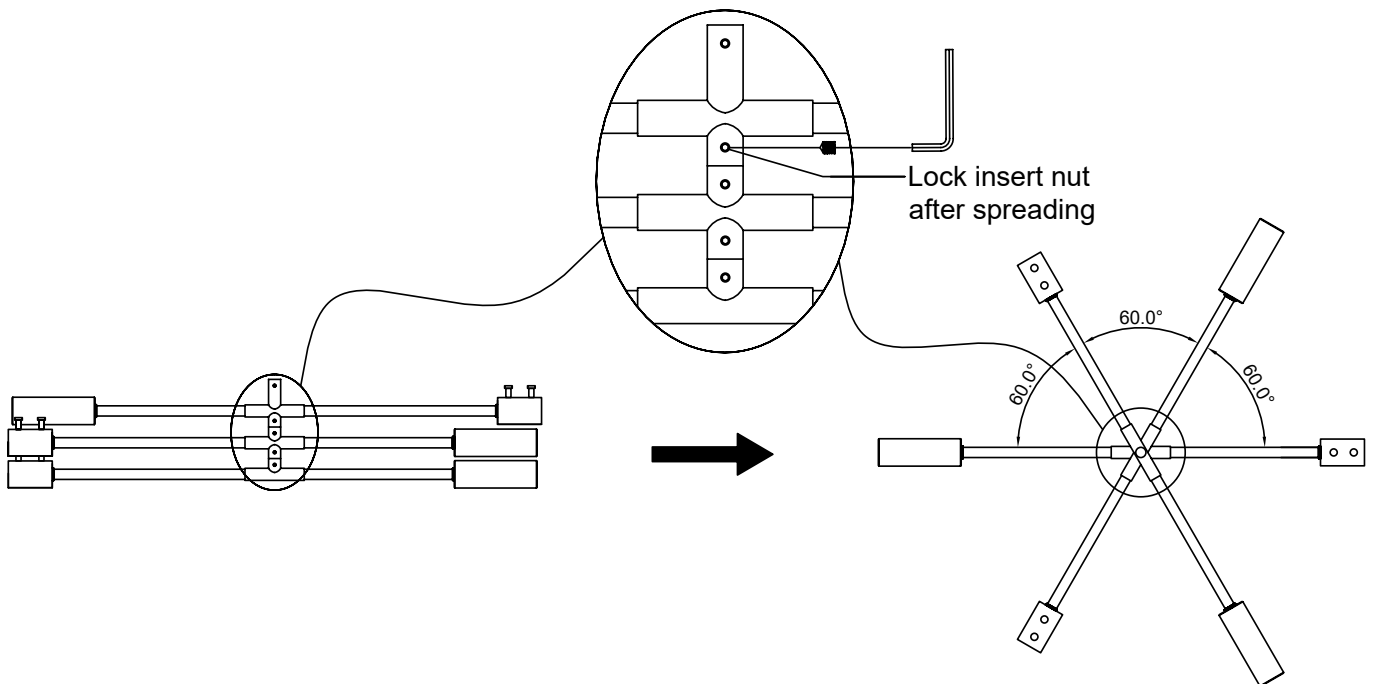
## CHANDELIER

*Thank for your purchasing this quality product. Be sure to check all packing material carefully for small parts which may have come loose inside the carton during shipment. Identify and count all parts and compare with the parts list below.*



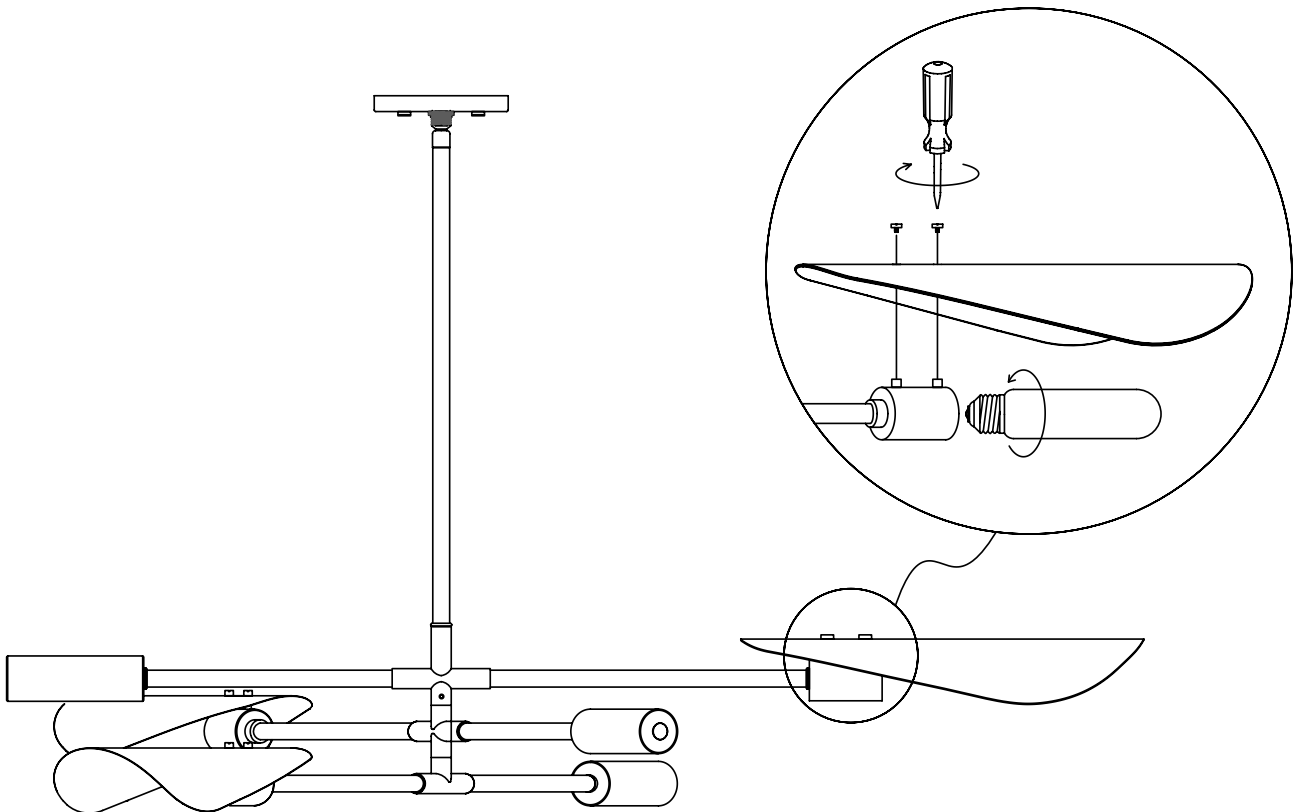
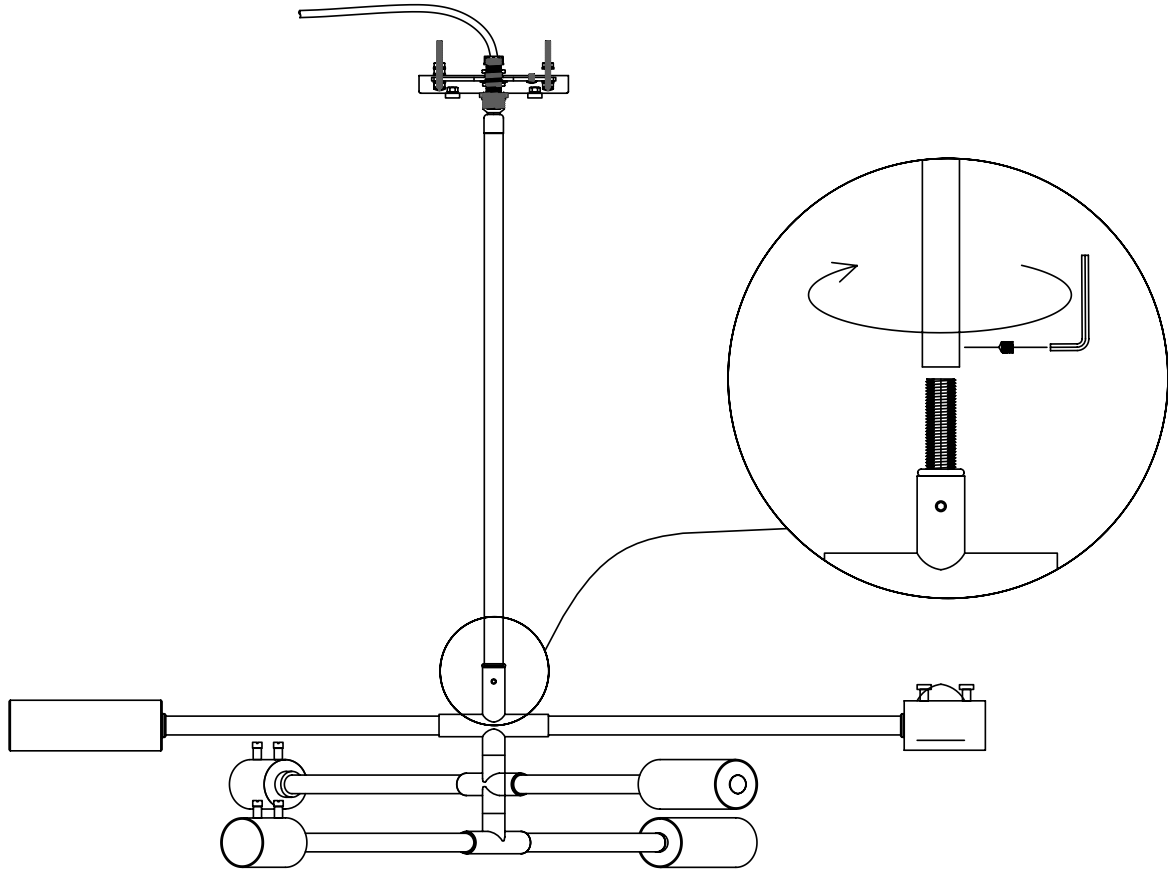
\* Bulbs are included as a convenience.  
 To be CA Title 24 compliant, JA8 compliant bulbs, which are not included, must be installed with the fixture.  
 \* Please do not try to remove the plastic caps before completing assembling and fix all the branches of the chandelier.

HARDWARE LIST			
A		CANOPY	01
B		MOUNTING ROD	01
C		LAMP SHADE	03
D		BODY	01
E		LED T10	03
F		Allen key M2	01
G		Tube 6"	02
H		Tube 12"	02
I		TUBE 18"	02



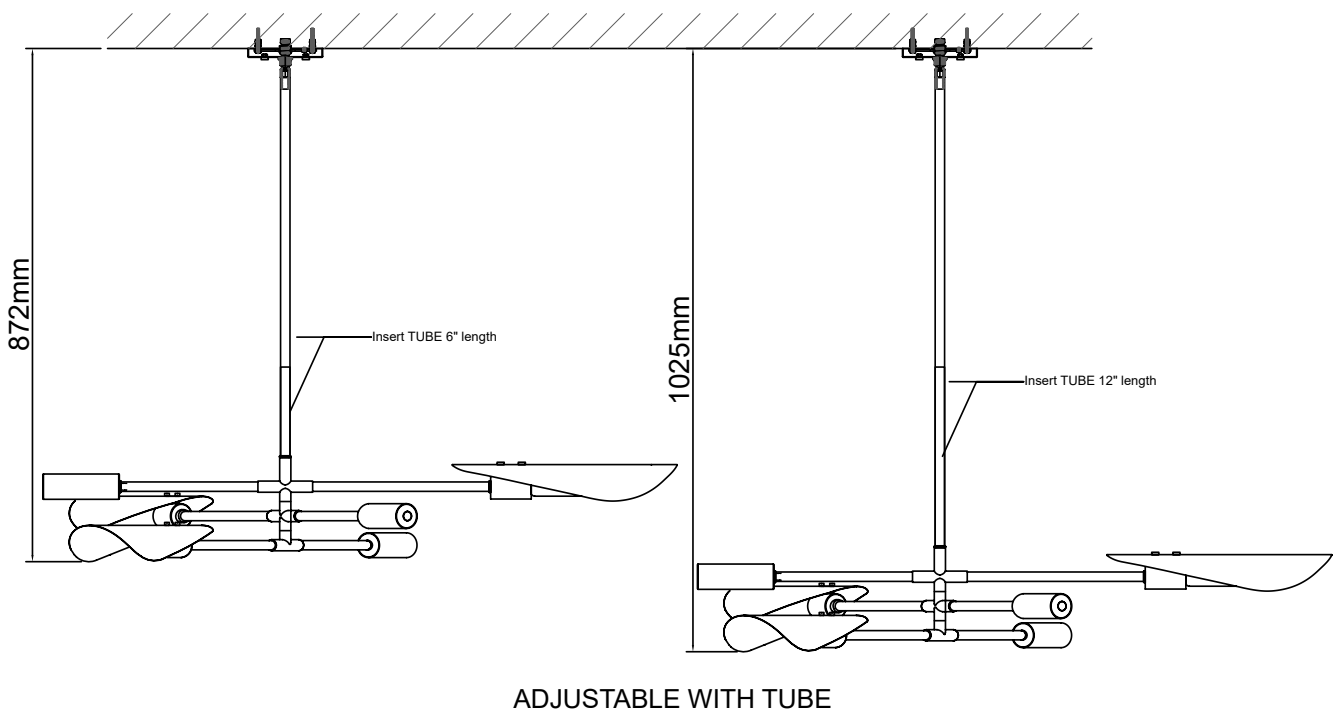
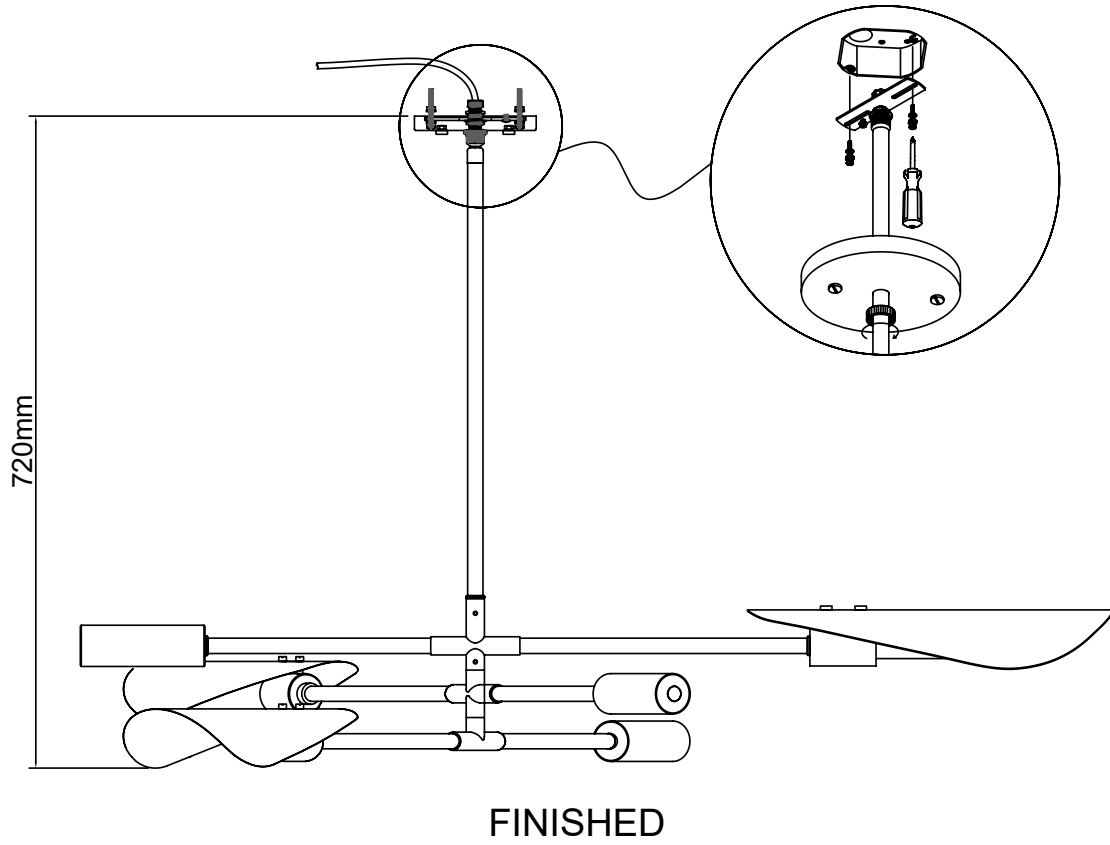
# ASSEMBLY INSTRUCTIONS

## CHANDELIER



# ASSEMBLY INSTRUCTIONS

## CHANDELIER



# ASSEMBLY INSTRUCTIONS

## CHANDELIER

### WIRING CONNECTIONS

1. Shut down the power at the breaker panel.
2. Connect wires:
  - Ground wire: Connect fixture ground wire (green) to supply ground wire
  - Neutral wire: Connect fixture neutral wire (white) to supply neutral wire
  - Hot wire: Connect fixture hot wire (black) to supply hot wire
3. Make sure all connections are tight, then carefully tuck into the junction box

### IMPORTANT SAFETY INSTRUCTIONS

Use an authorized and certified electrician for consultation and installation. Electrician must be familiar with commercial-type applications of very heavy chandeliers.

The ceiling must have at least the capacity of holding 5 times the weight of the chandelier. For this fixture, a ceiling capacity of at least 110 lb. (50 kg) is required.

Because this chandelier is heavy, it will require at least two people or a lifter to install.

### WARNINGS

All wires are connected. When unpacking, be careful not to pull wires, as a bad connection may result. Do not connect electricity until your fixture is fully assembled. Do not touch or look directly at the LED strip when fixture is illuminated. Keep flammable materials away from lit LED strip.

THIS PRODUCT IS NOT A TOY AND HAS NO PLAY VALUE.

### STRANGULATION HAZARD

Keep cord at least 3 feet away from cribs, bassinets, and toddler beds.

Keep out of reach of children under 3 years of age.