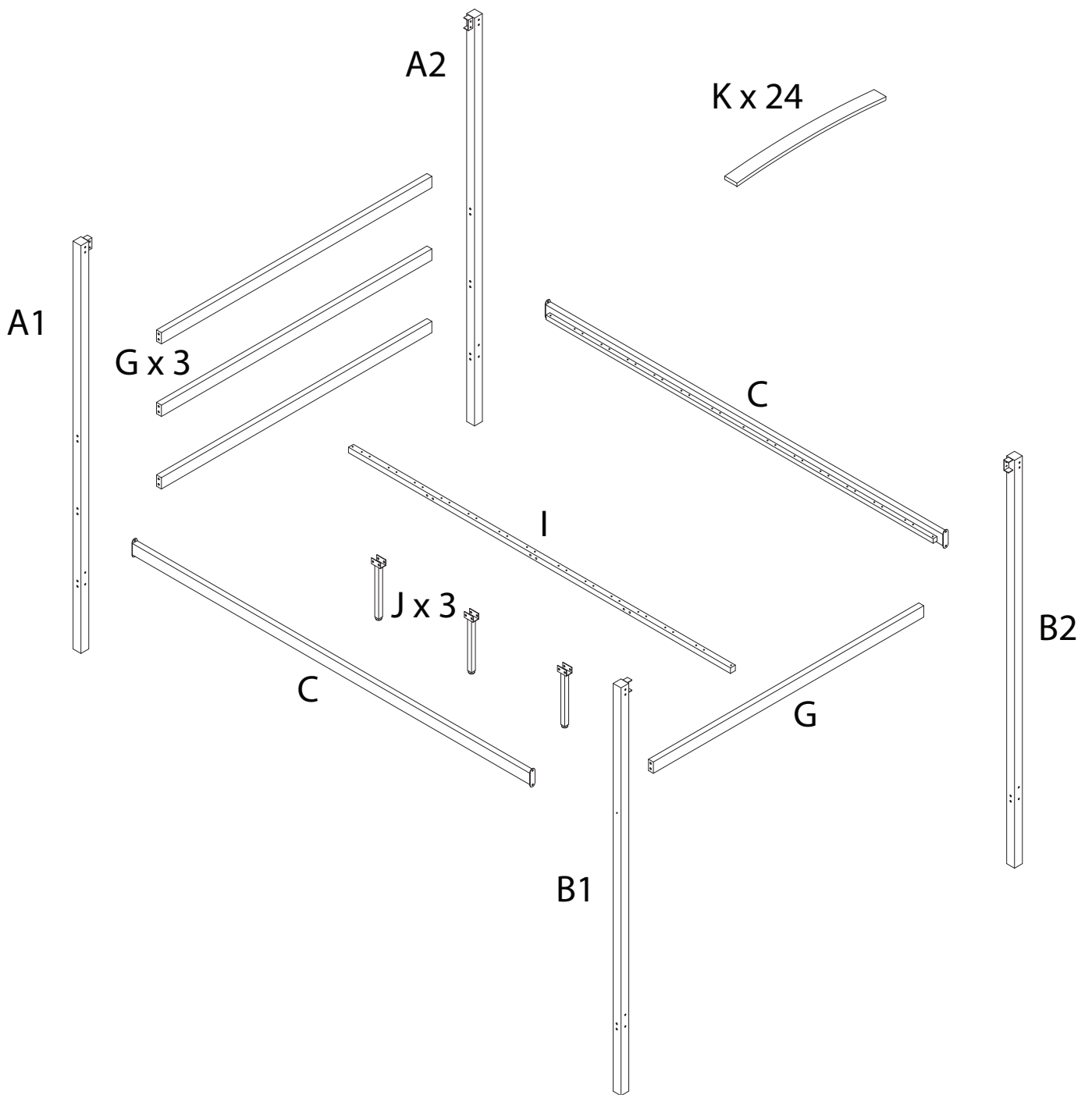
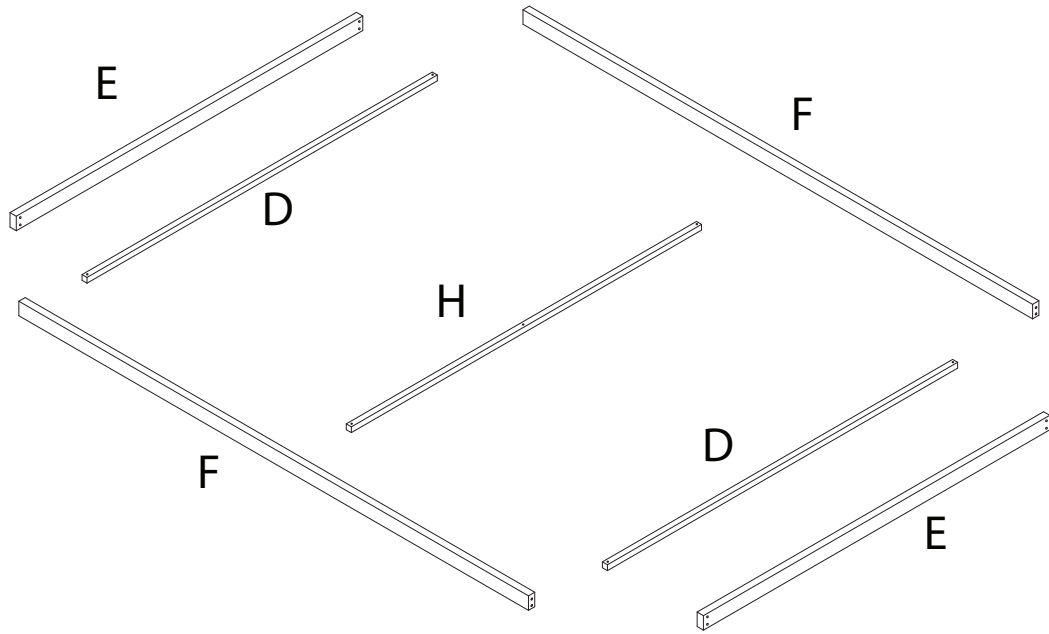


Assembly instructions for step 1/9:

- Tools:** A circle containing an Allen key and a wrench, and a crossed-out power drill icon, indicating that a power drill is not to be used.
- Warning:** A triangle with an exclamation mark.
- Time:** A clock icon with the text "60'" below it, indicating a 60-minute assembly time.
- Personnel:** A person icon with the number "2" below it, indicating that two people are required for assembly.
- Diagram:** A circle showing a rectangular panel being placed on a surface, with a crossed-out diagram below it showing the panel being incorrectly placed on a different surface.



A1



x 1

A2



x 1

B1



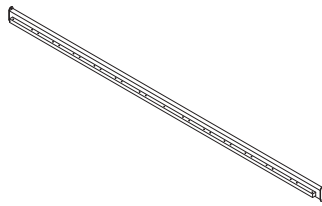
x 1

B2



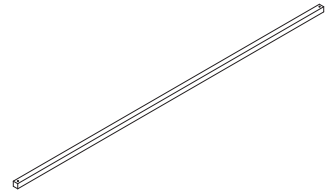
x 1

C



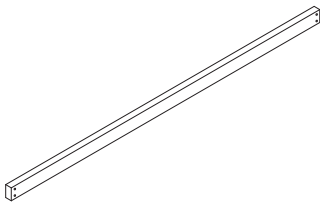
x 2

D



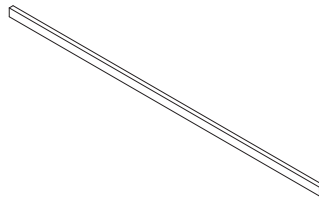
x 2

E



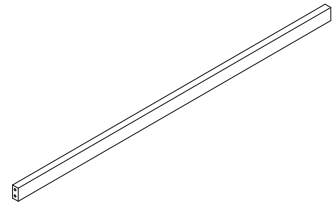
x 2

F



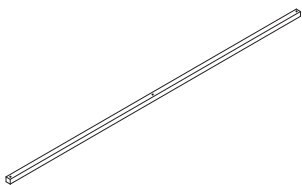
x 2

G



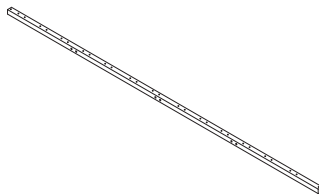
x 4

H



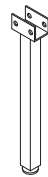
x 1

I



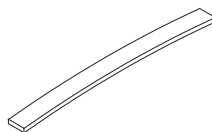
x 1

J



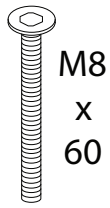
x 3

K



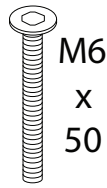
x 24

L



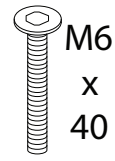
x 24

M



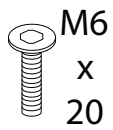
x 6

N



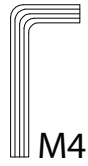
x 17

O



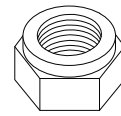
x 12

P



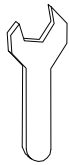
x 2

Q



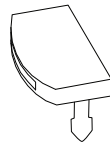
x 12

R



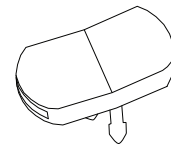
x 1

S



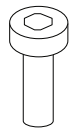
x 24

T



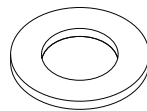
x 12

U



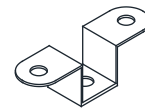
x 8

V



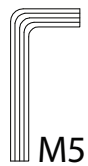
x 51

W

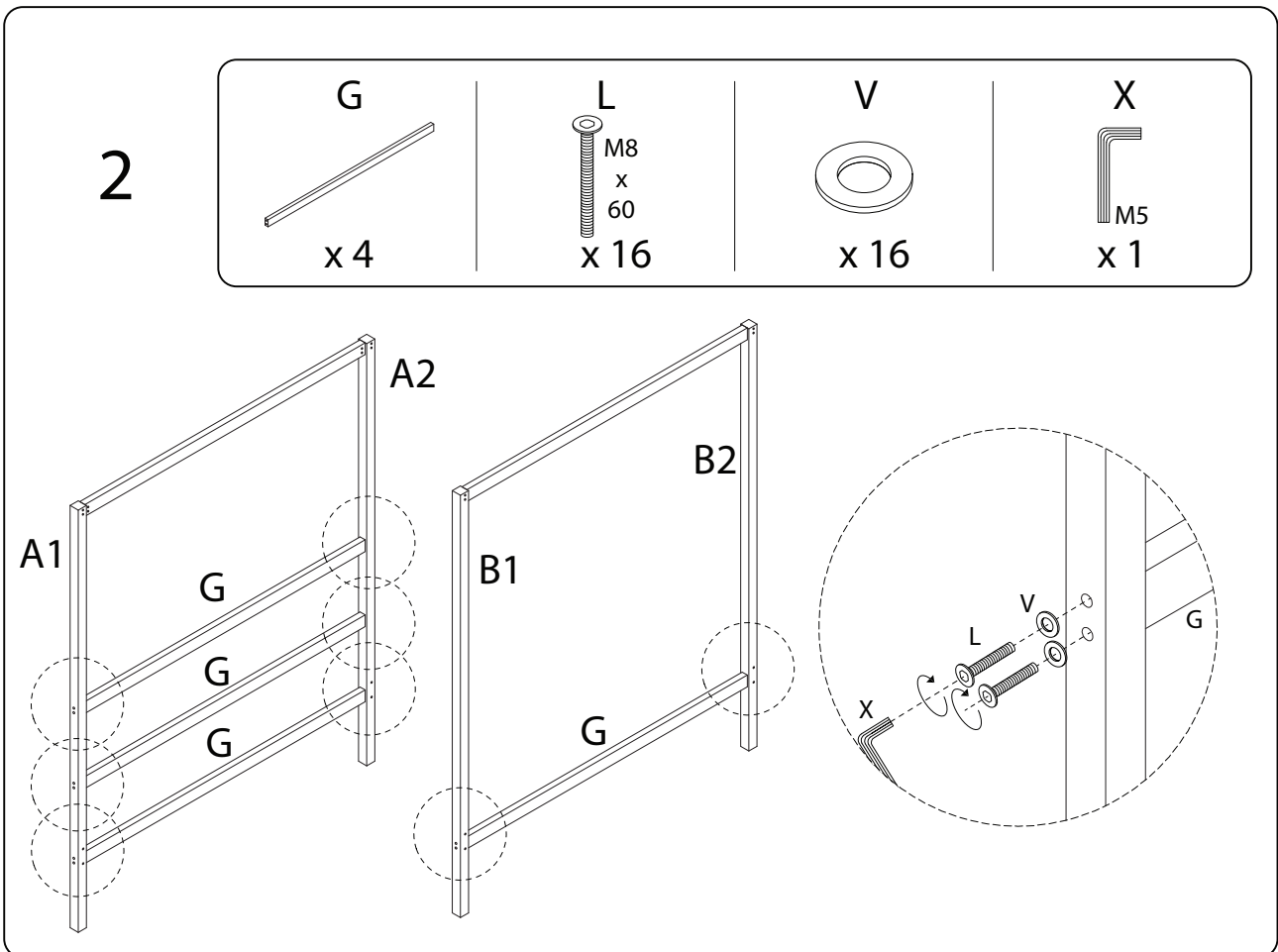
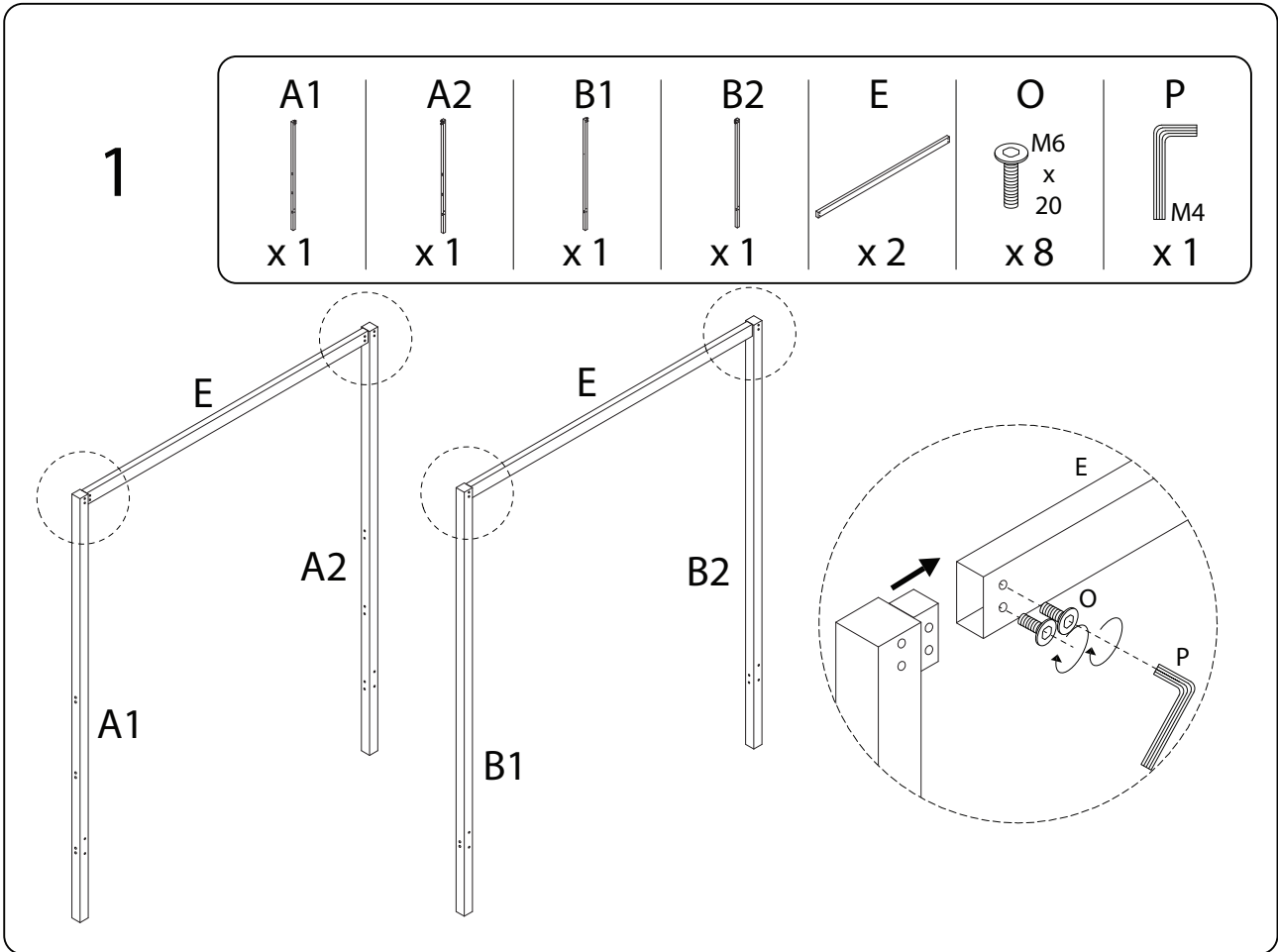


x 2

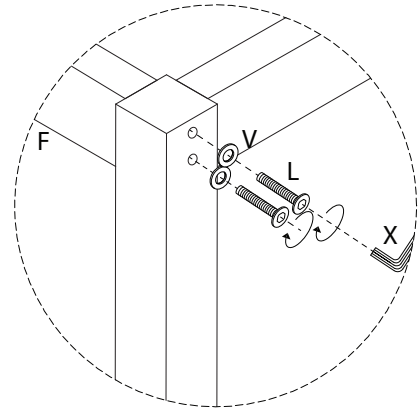
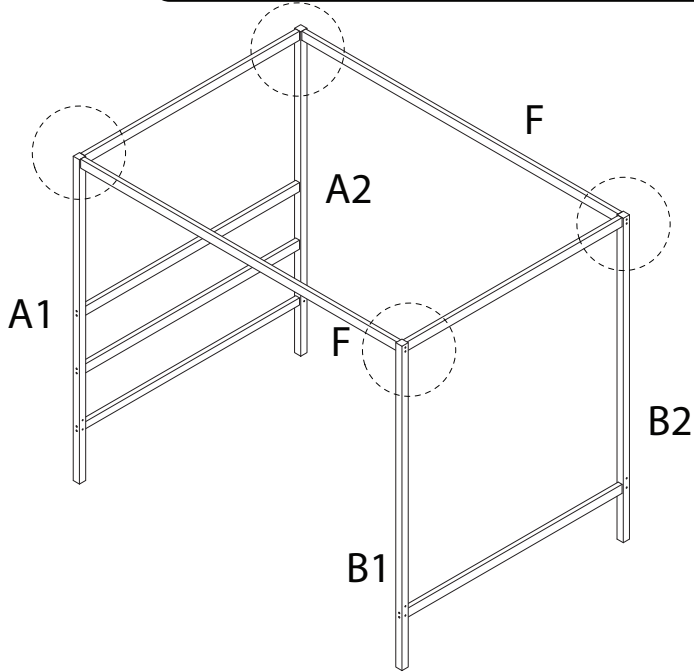
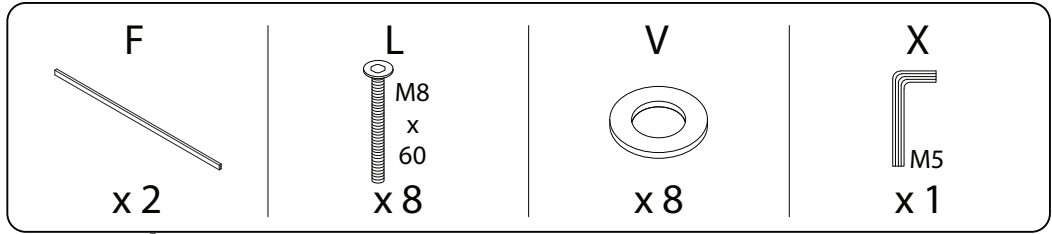
X



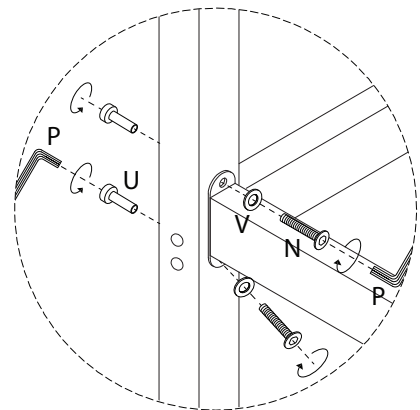
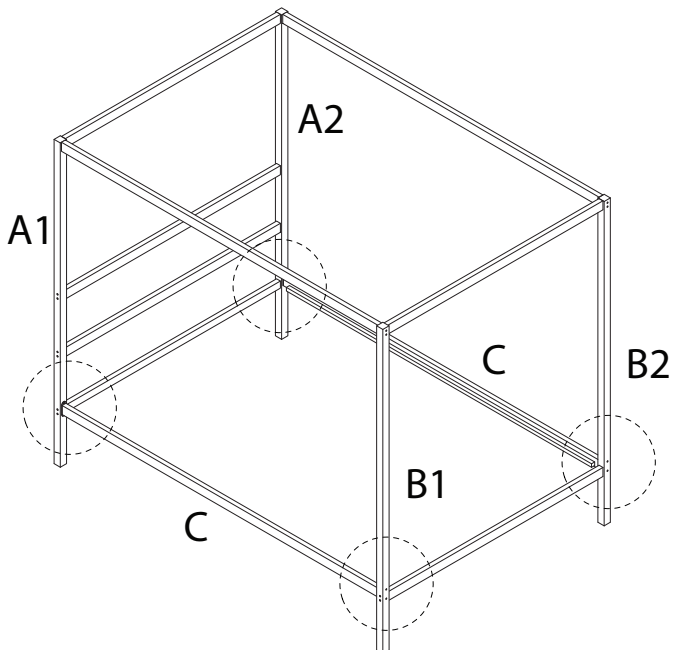
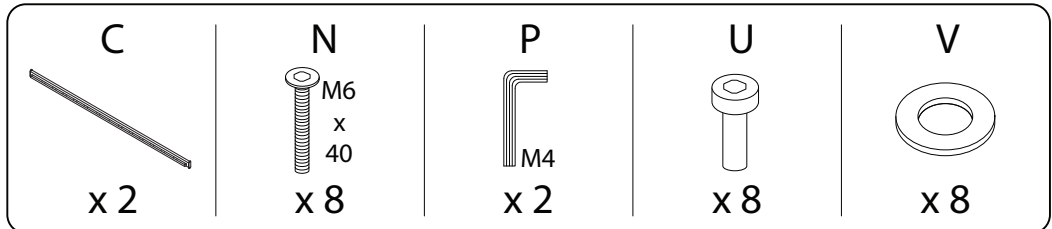
x 1



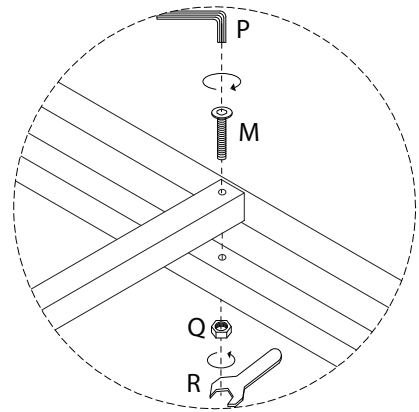
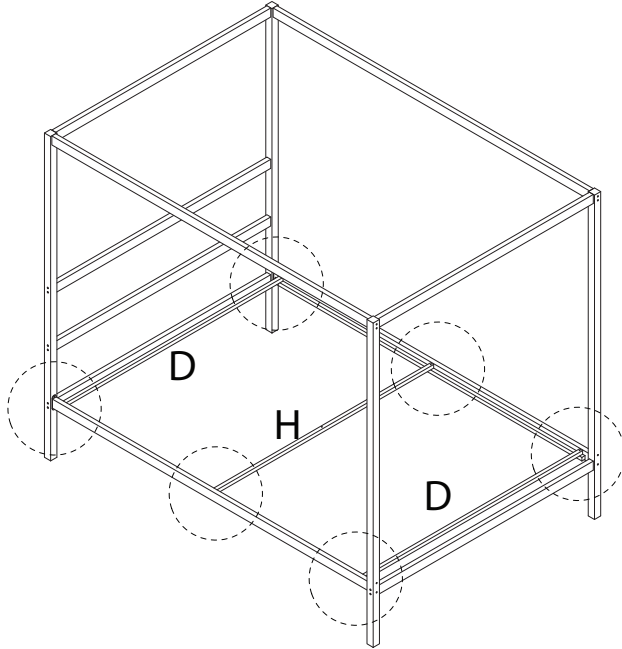
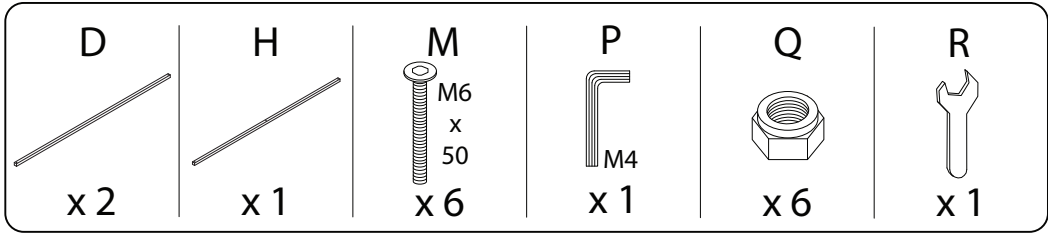
3



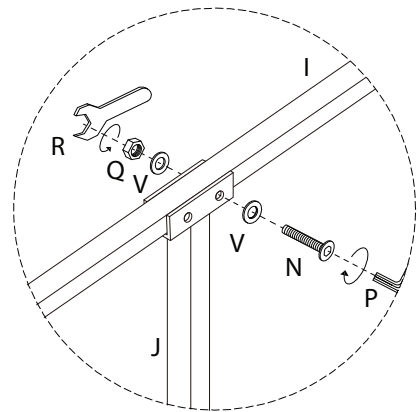
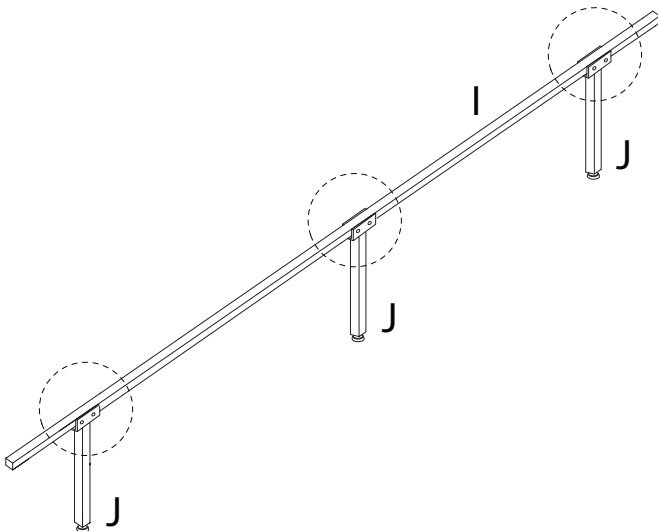
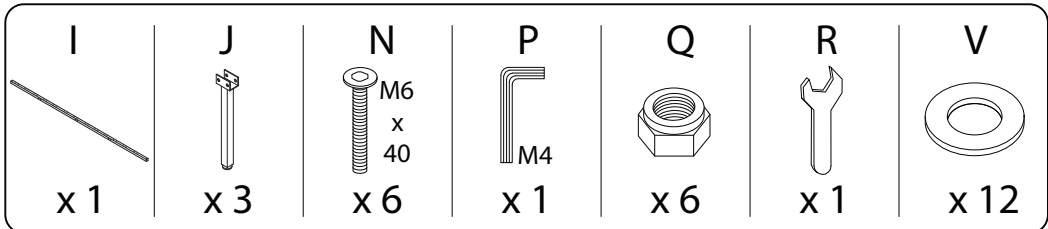
4



5



6



7

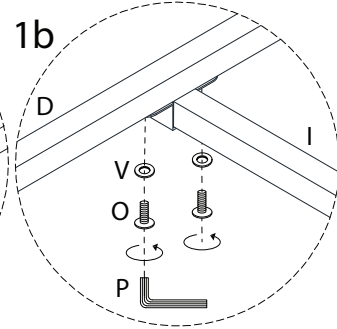
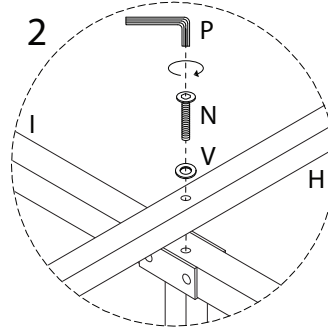
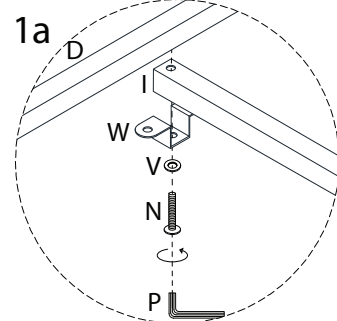
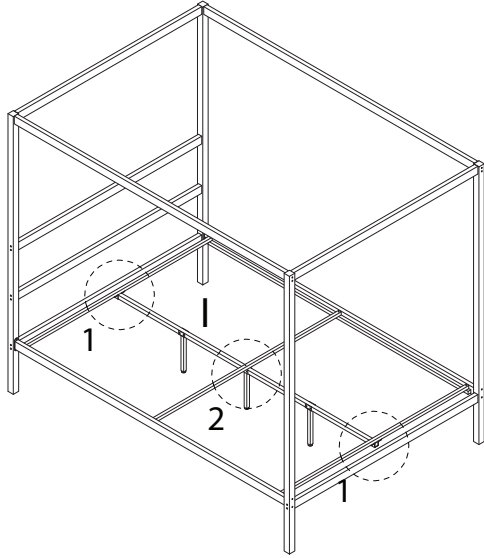
N
M6
x
40
x 3

O
M6
x
20
x 4

P
M4
x 1

V
x 7

W
x 2

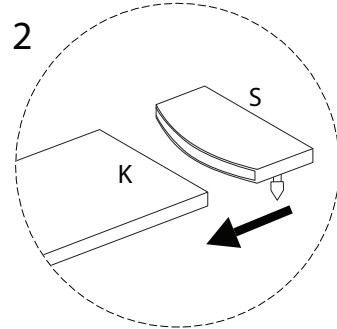
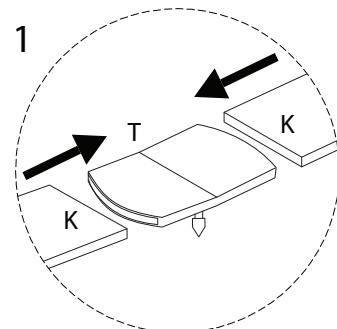
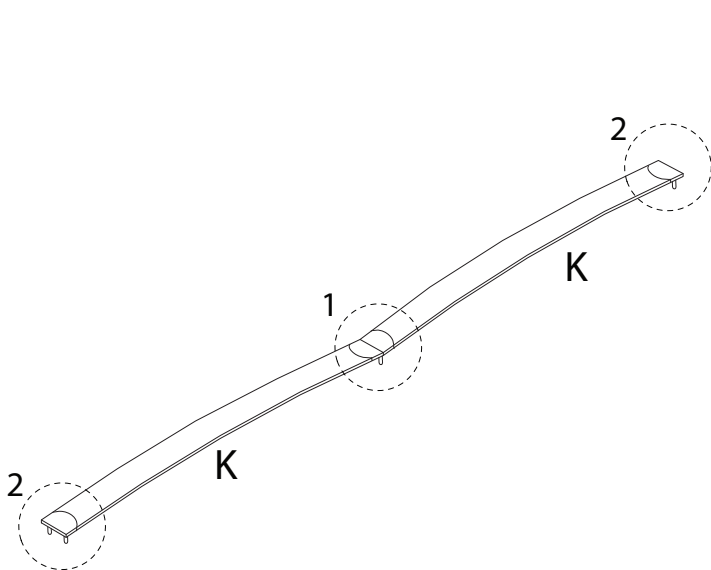


8

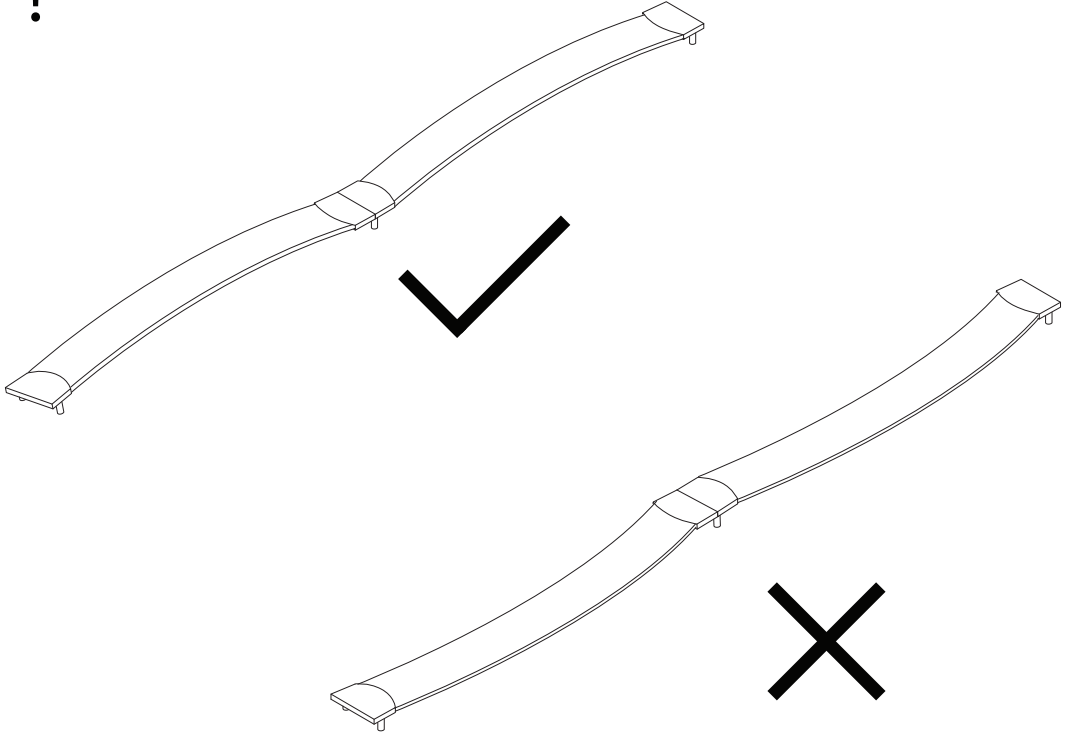
K
x 24

S
x 24

T
x 12



!



9

