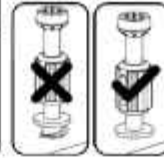
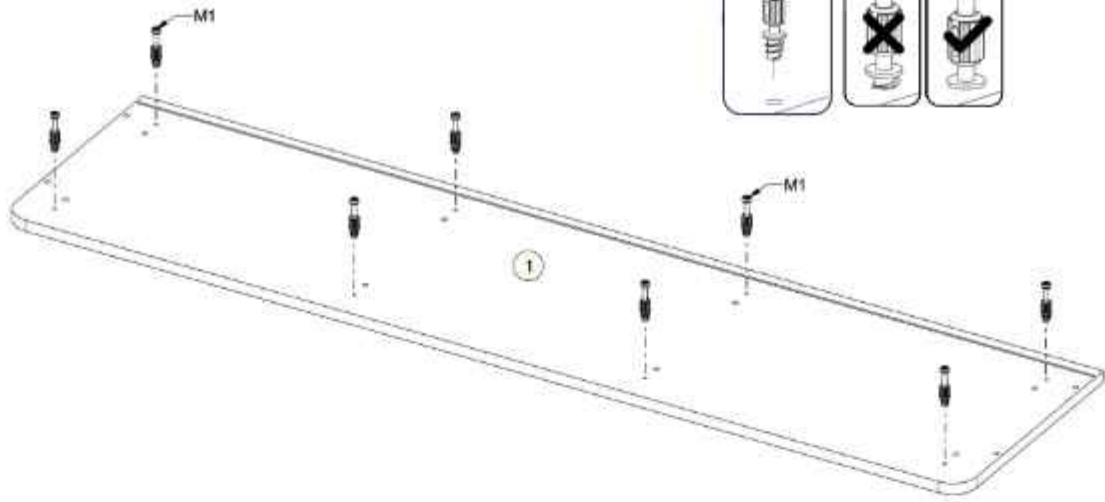
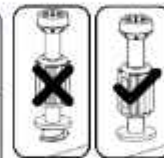
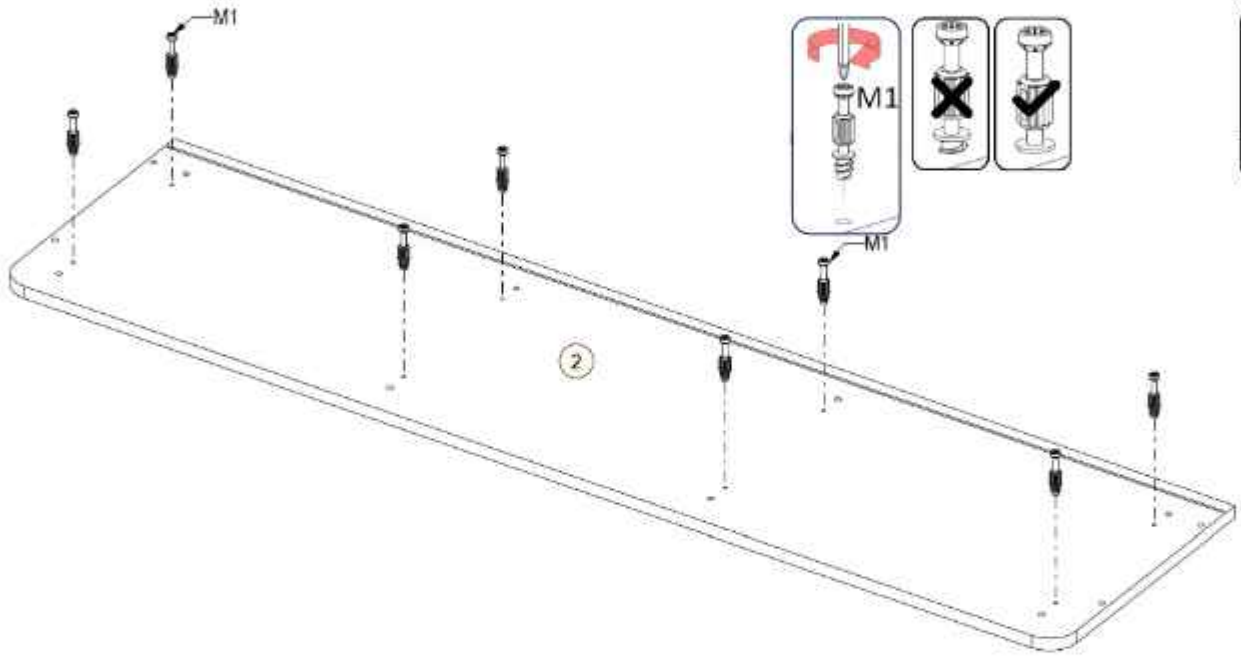




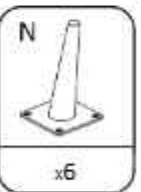
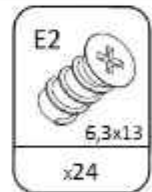
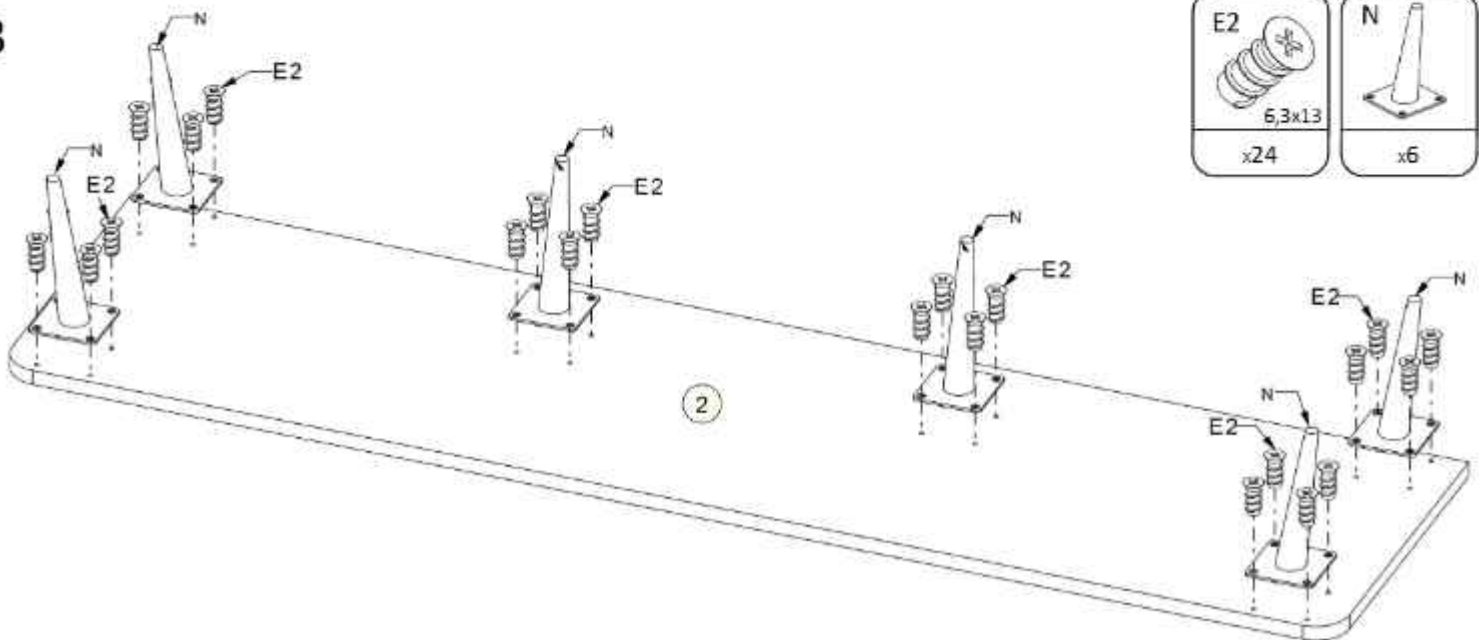
1



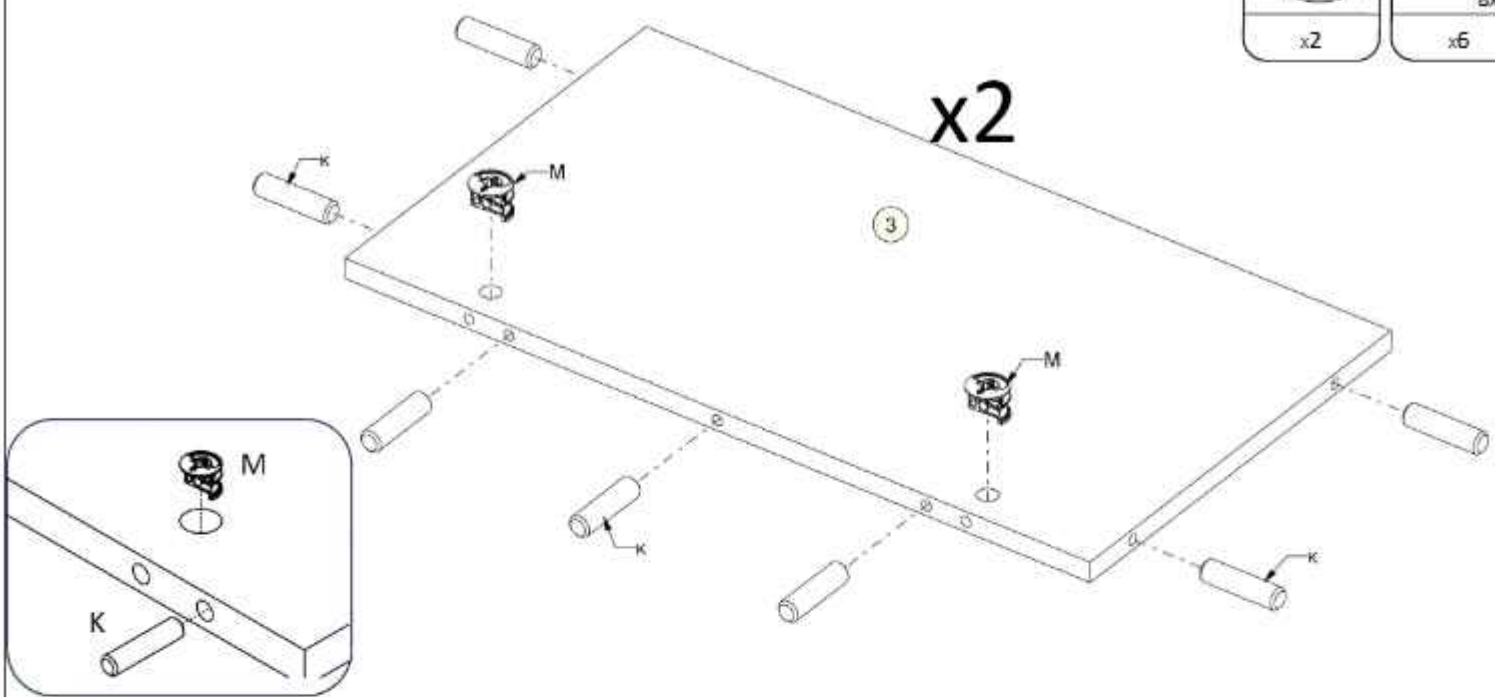
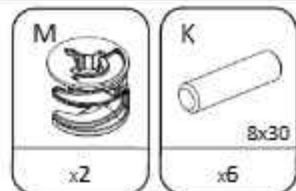
2



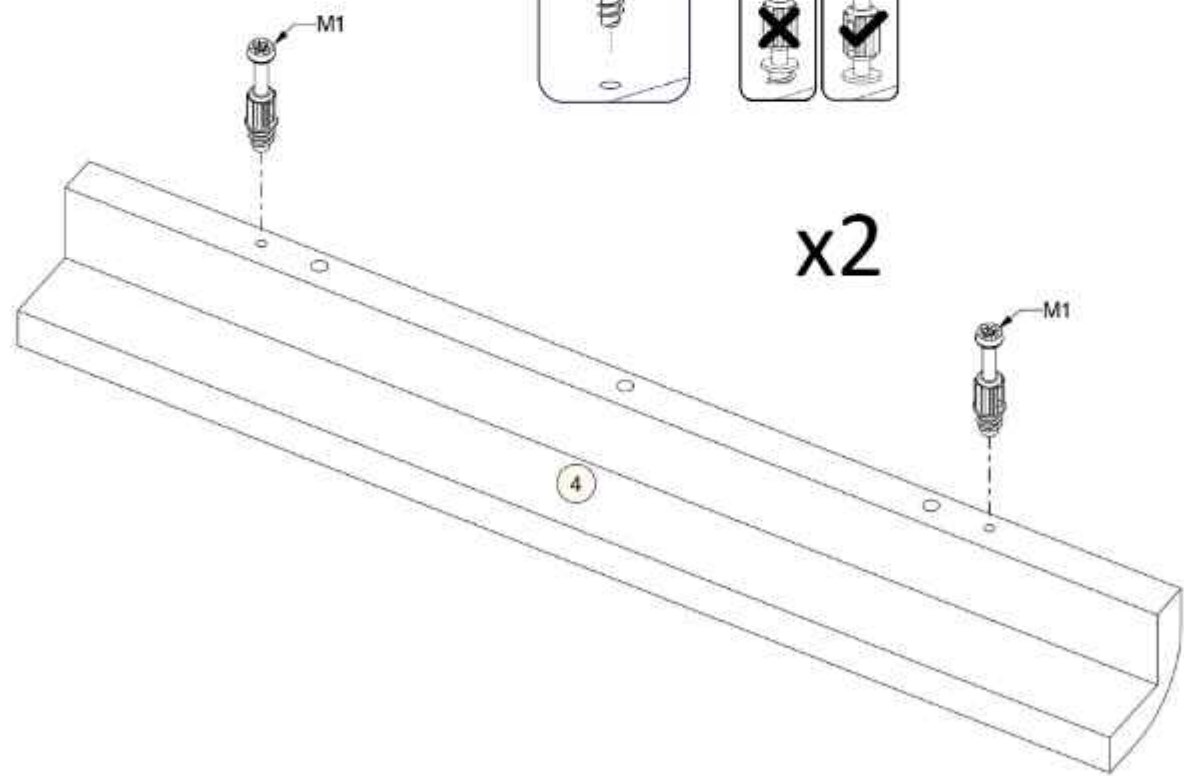
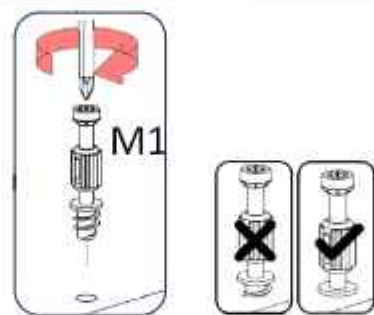
3







4





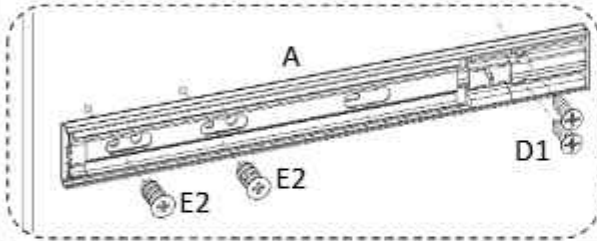
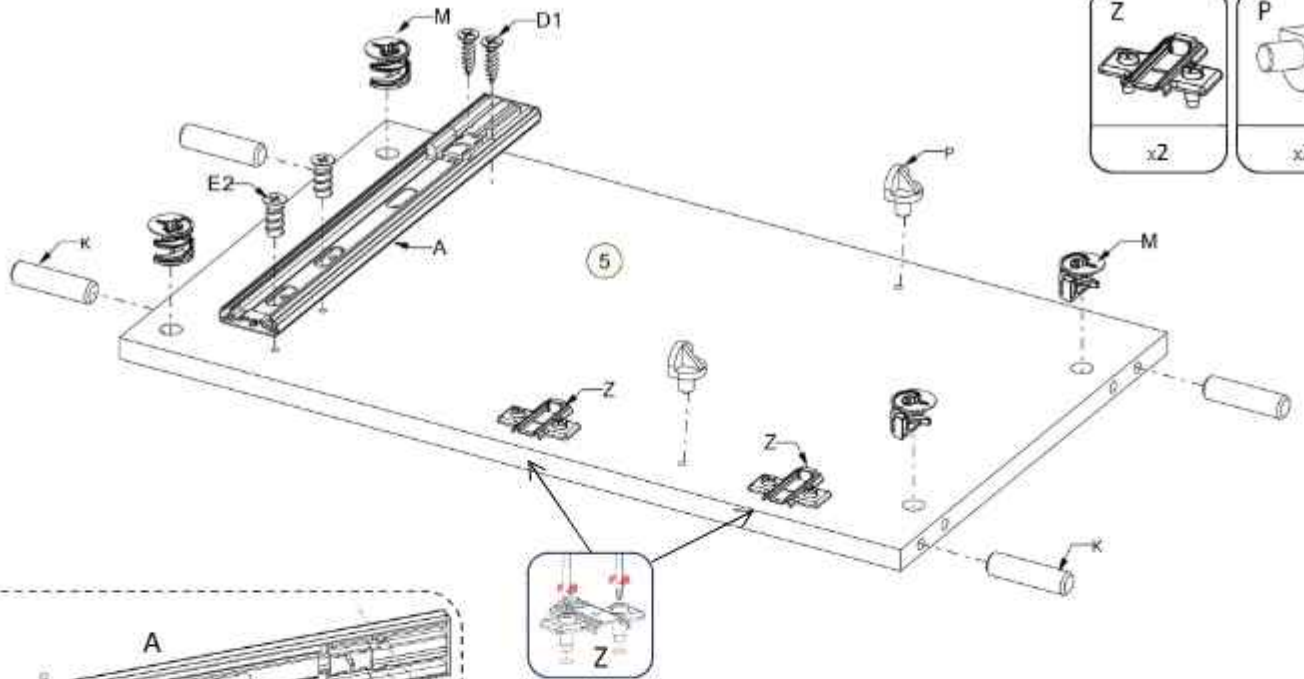
5









6

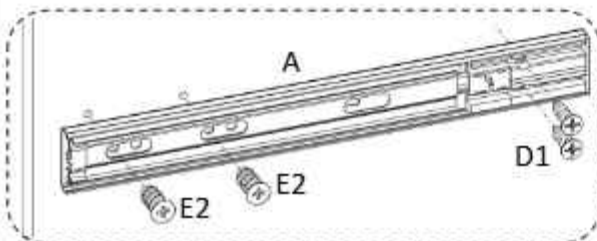
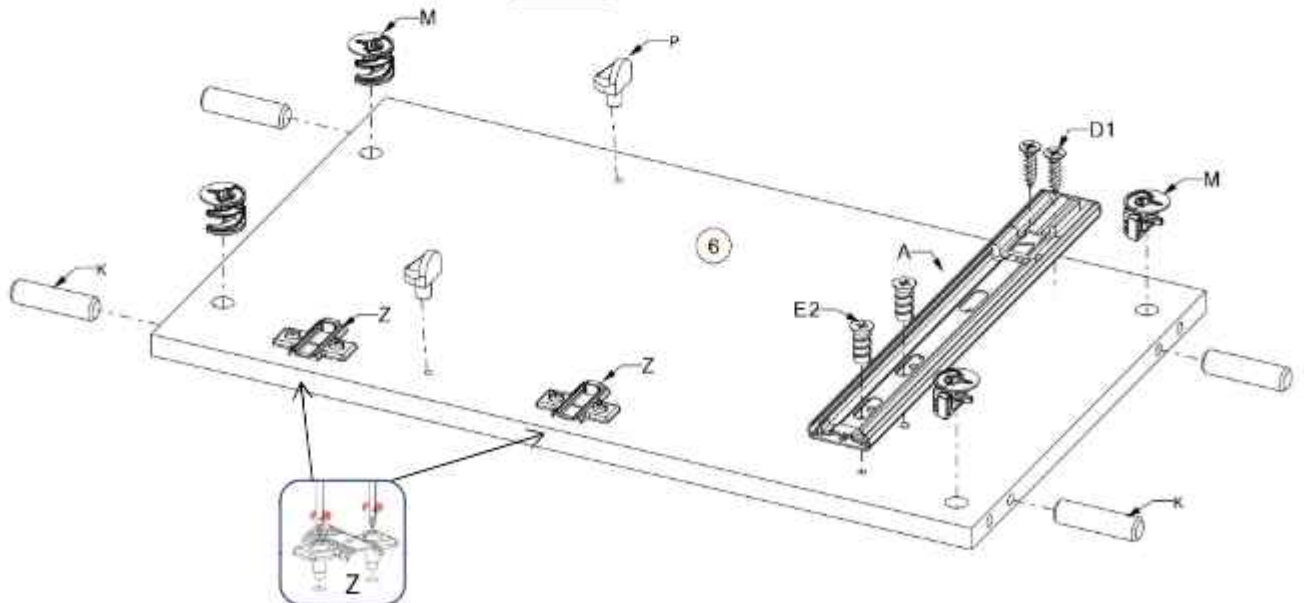
D1  3,5x16 x2	E2  6,3x13 x2	M  x4	K  8x30 x4
--	---	--	--

Z  x2	P  x2
--	--









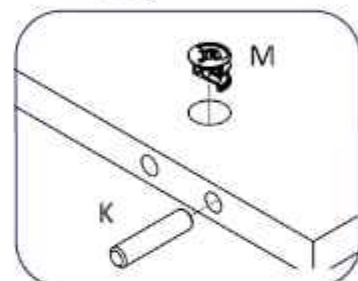
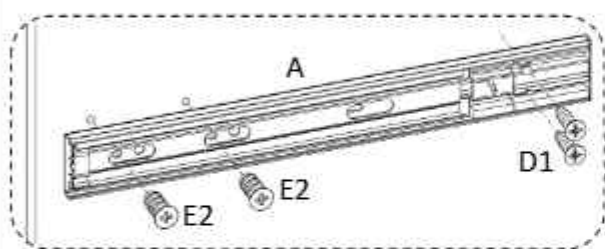
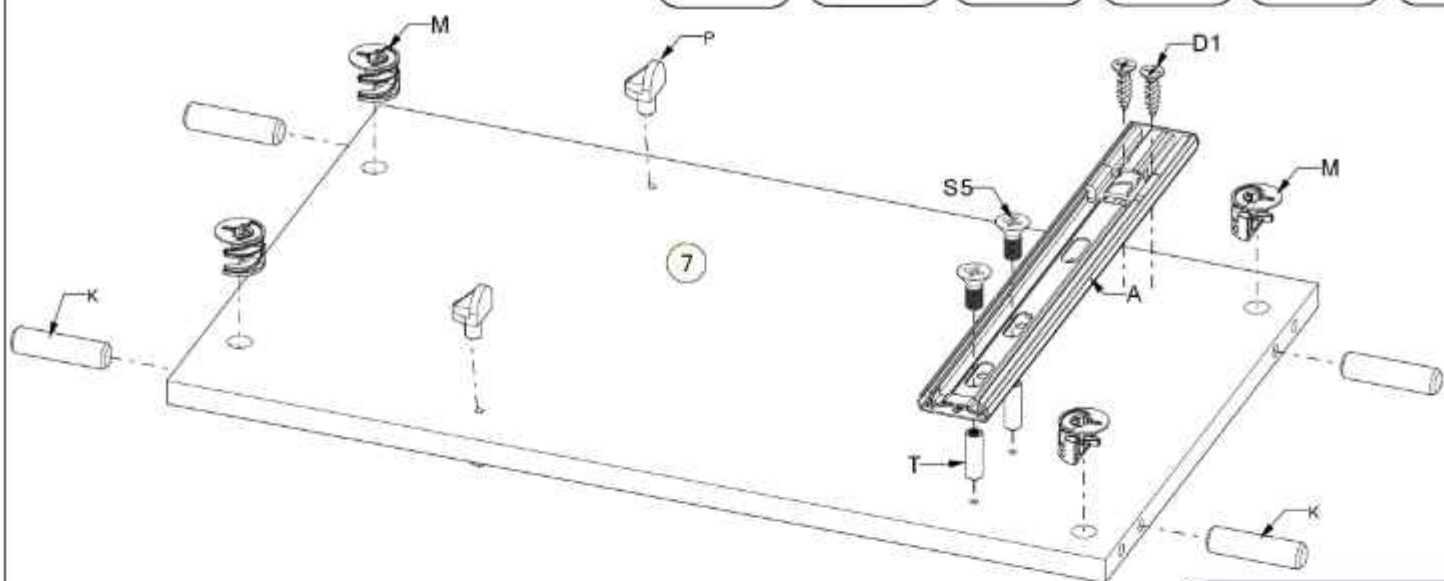
7

D1  3,5x16 x2	E2  6,3x13 x2	Z  x2	P  x2	M  x4	K  8x30 x4
---	---	---	--	--	--







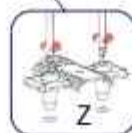
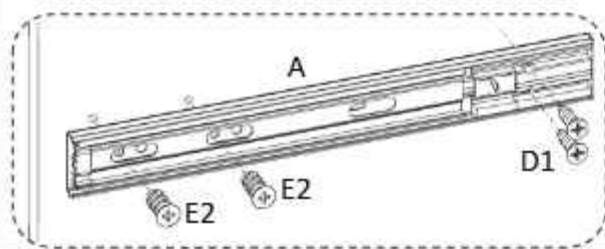
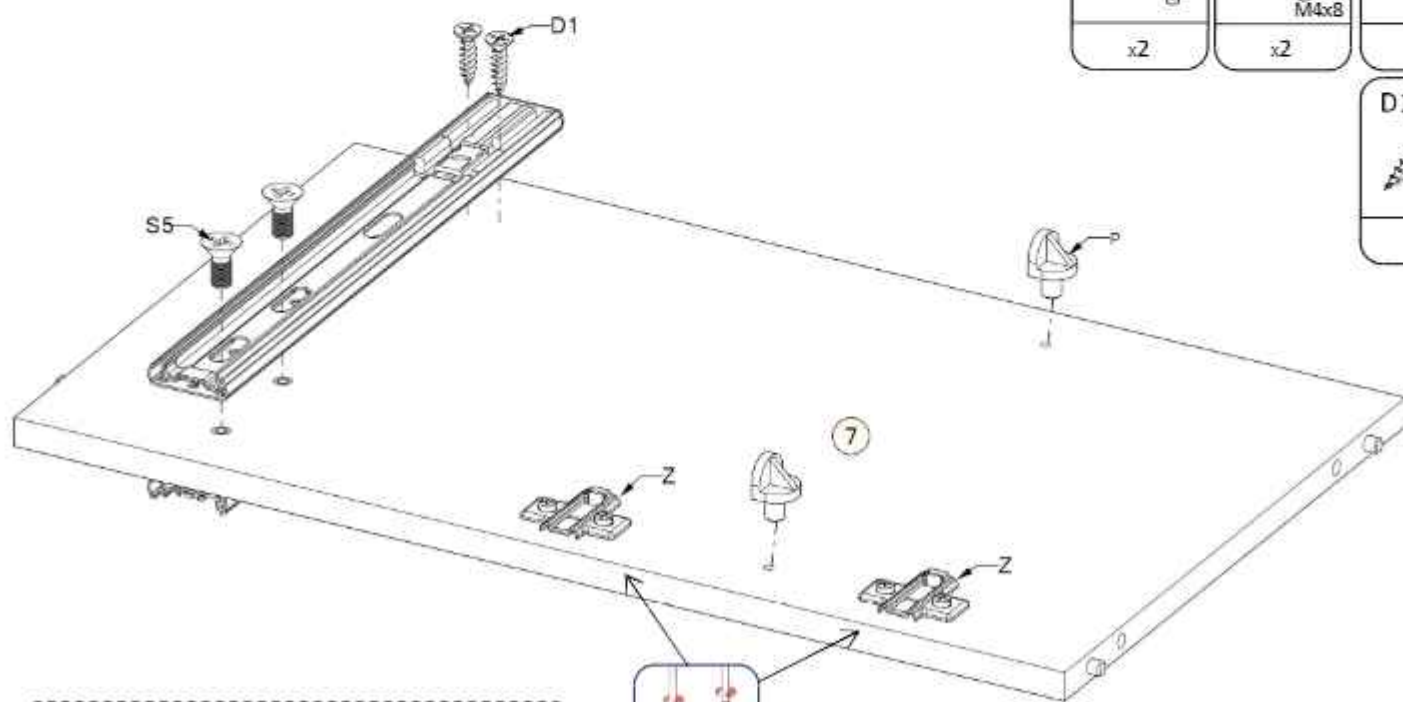
8

D1  3,5x16 x2	S5  M4x8 x2	T  M4x15 x2	P  x2	M  x4	K  8x30 x4
---	---	--	--	--	--









9

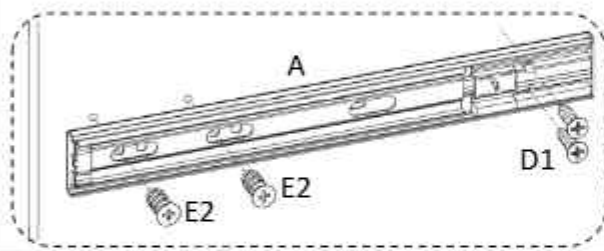
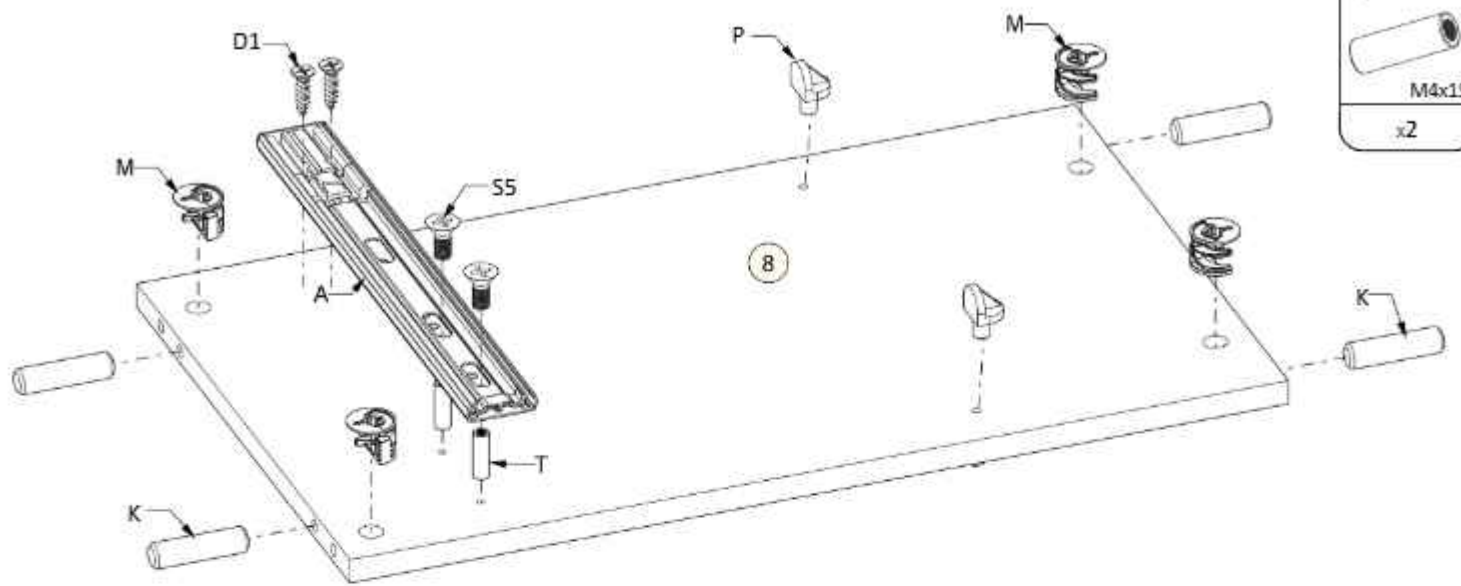
Z  x2	S5  M4x8 x2	P  x2
D1  3,5x16 x2		





10


<b>S5</b>  M4x8 x2	<b>D1</b>  3,5x16 x2	<b>M</b>  x4	<b>K</b>  8x30 x4	<b>P</b>  x2
--	---	---	---	---

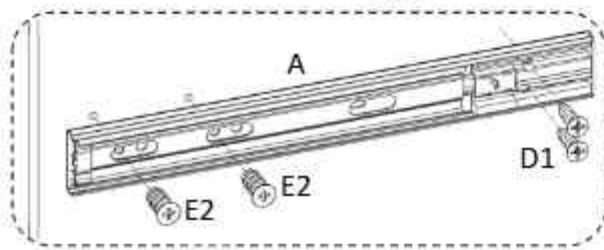
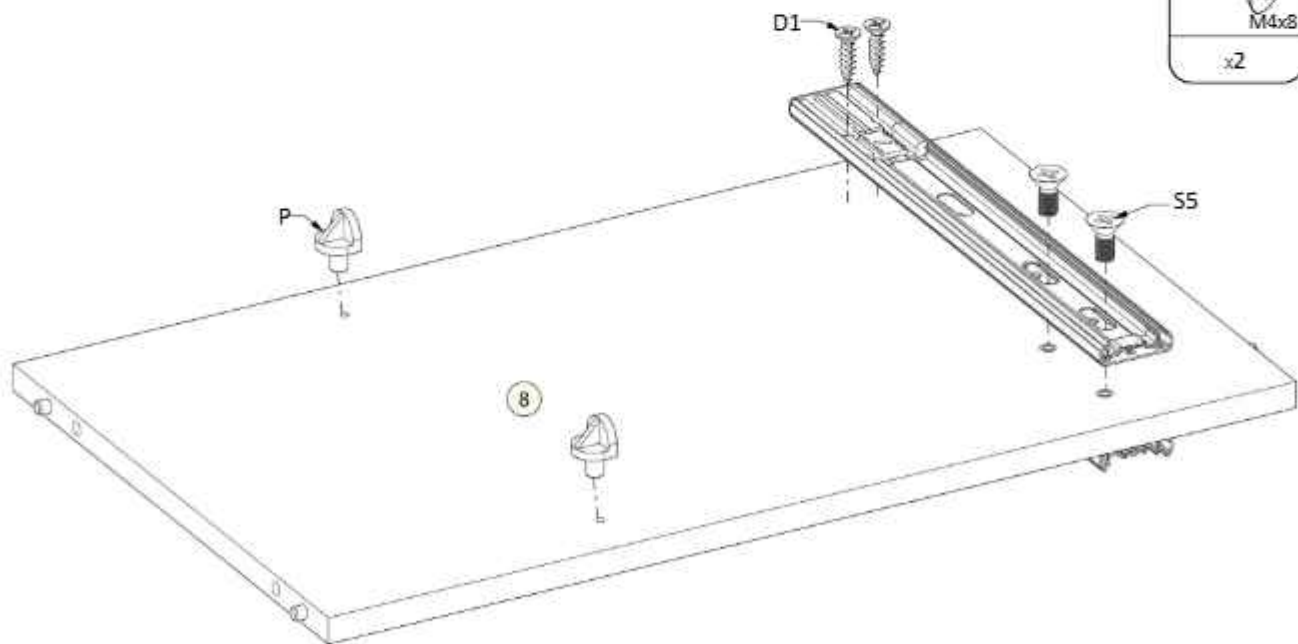
<b>T</b>  M4x15 x2
--



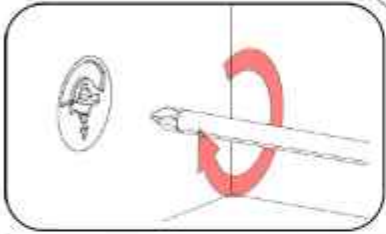
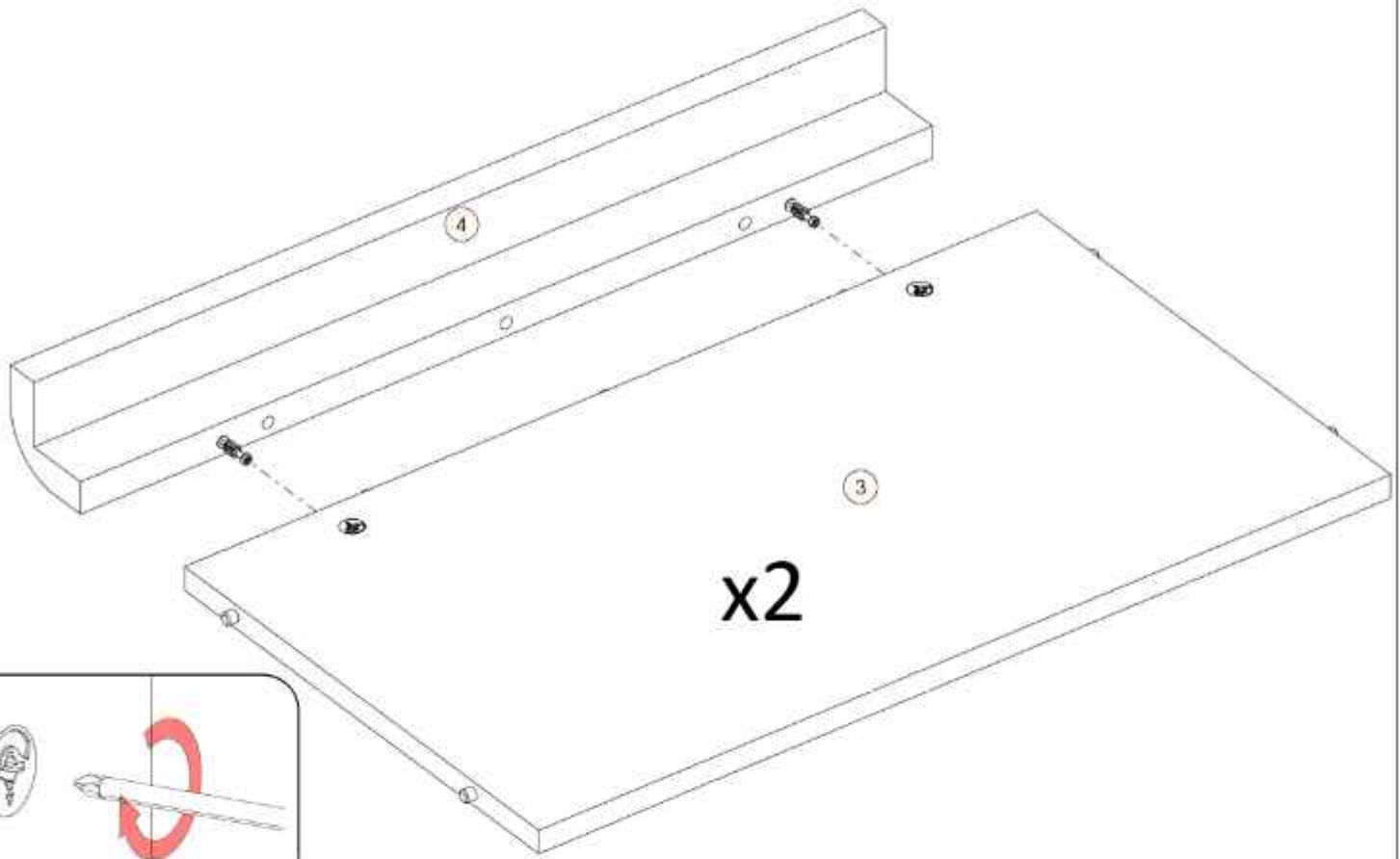
11

<b>S5</b>  M4x8 x2	<b>D1</b>  3,5x16 x2
--	--

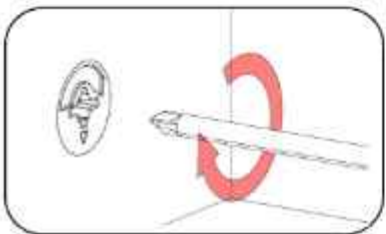
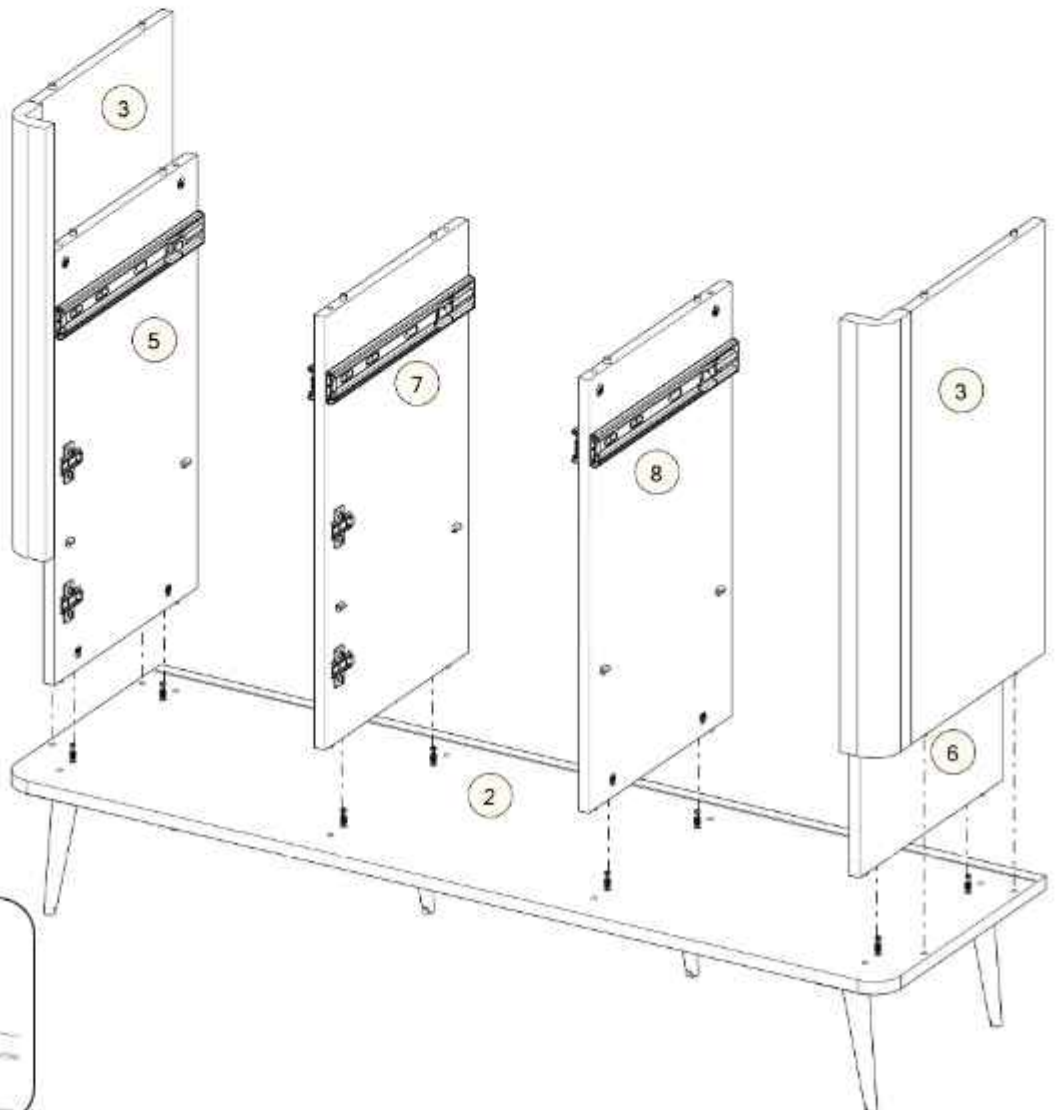
<b>P</b>  x2
---



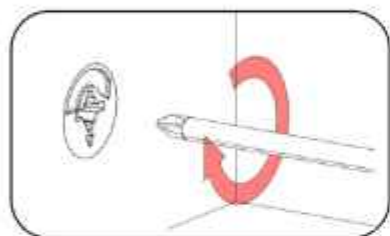
12



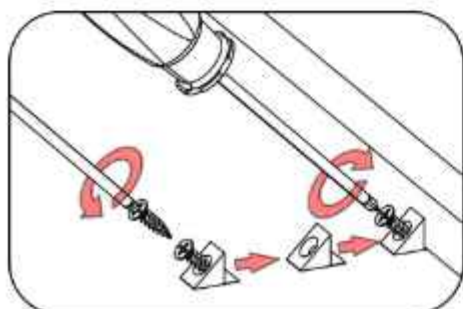
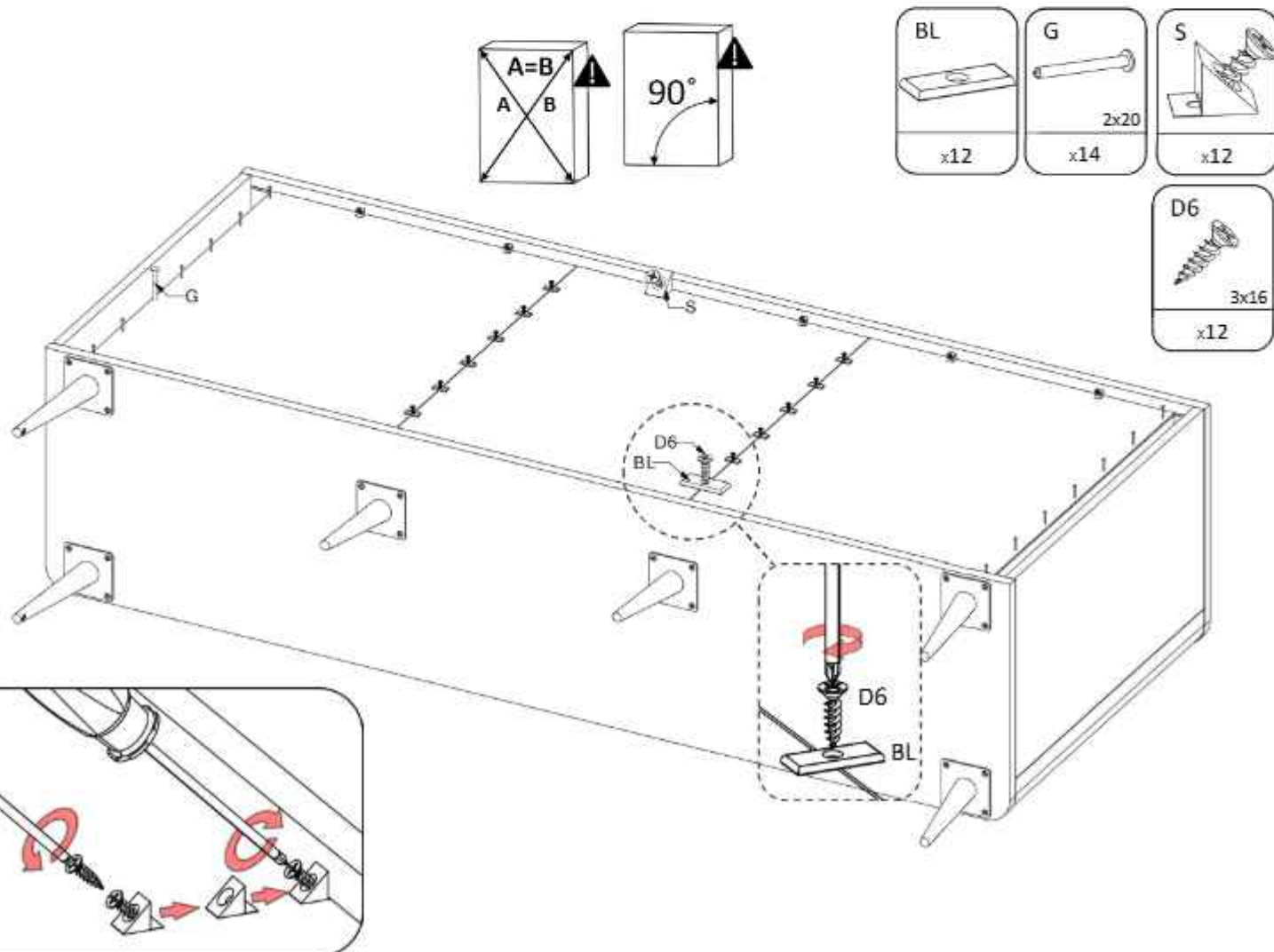
13



14

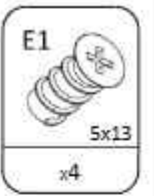
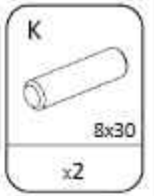
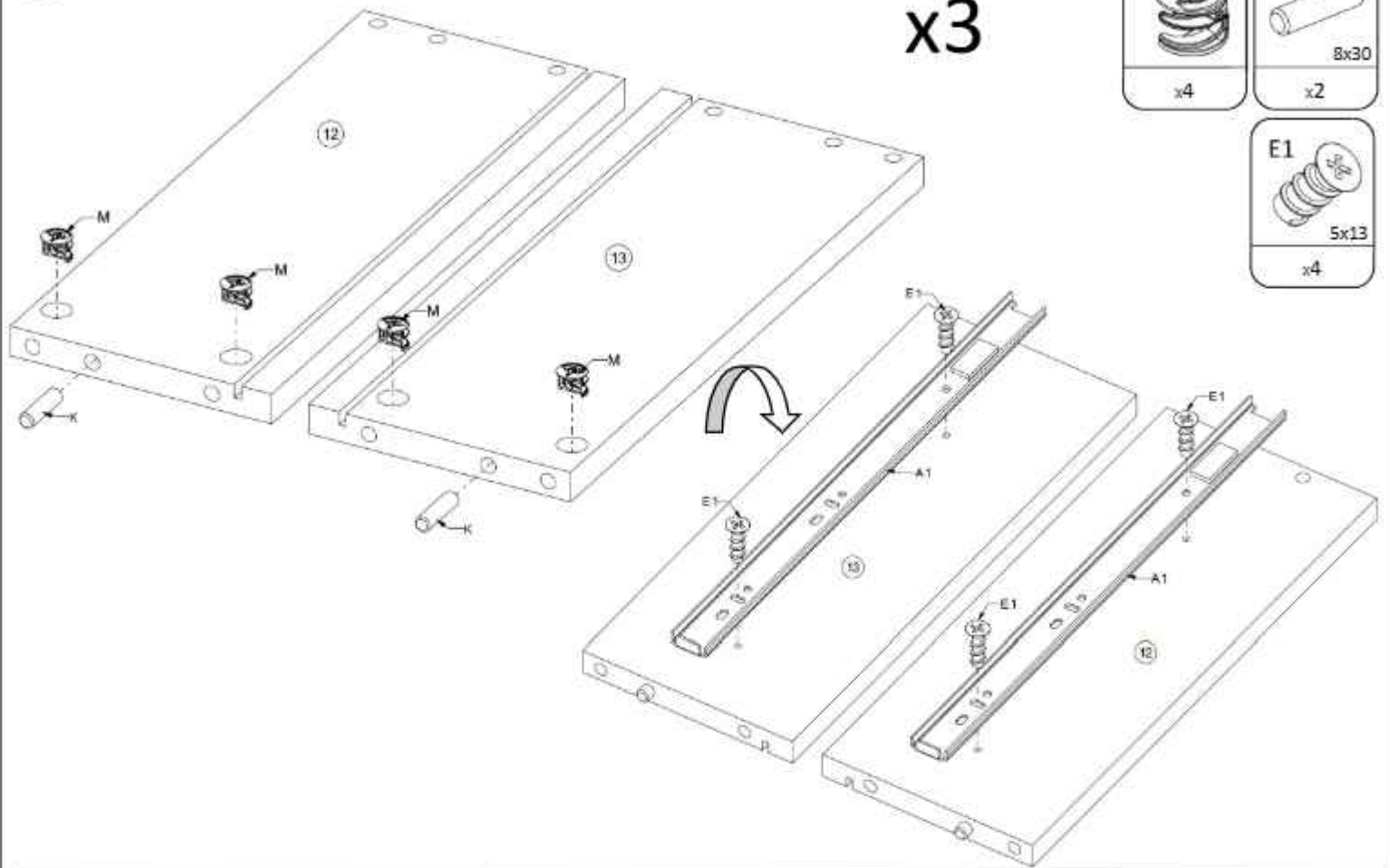


15



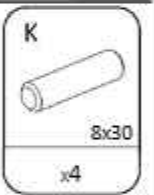
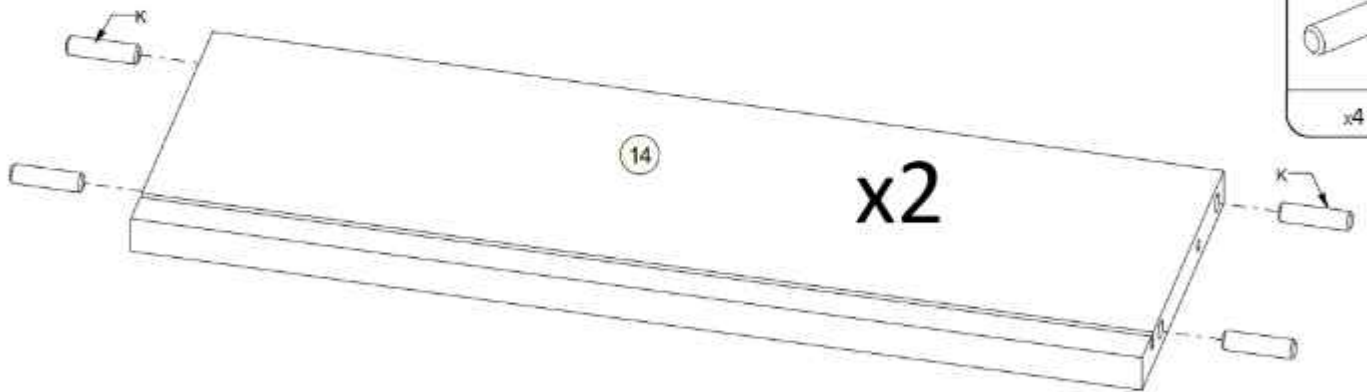
16

x3

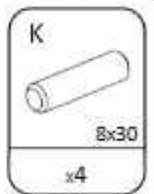
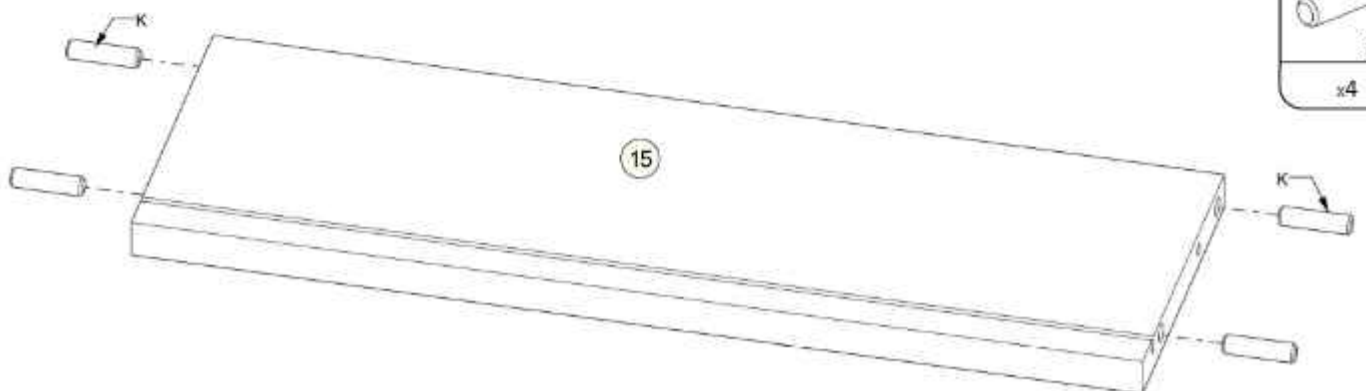


17

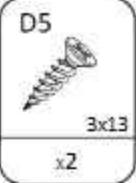
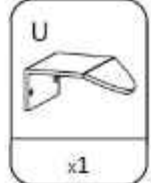
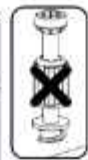
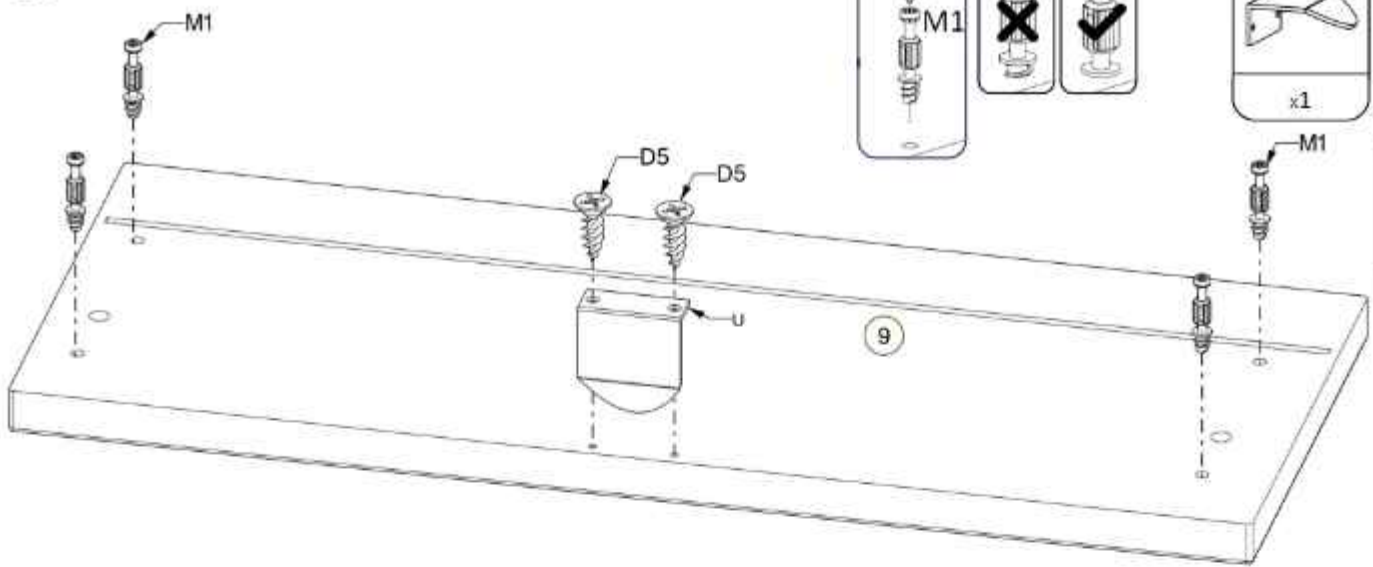
x2



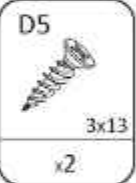
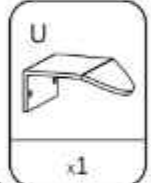
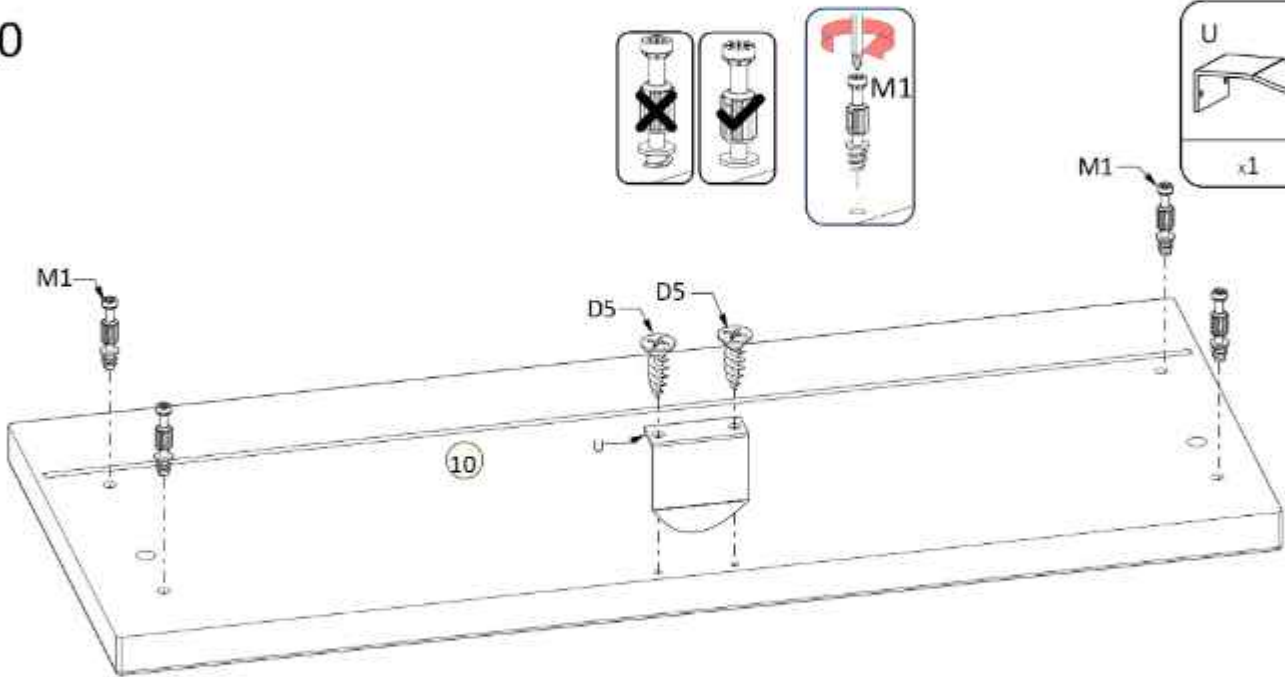
18



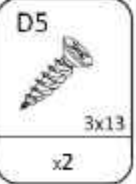
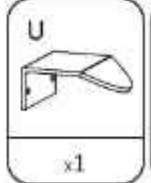
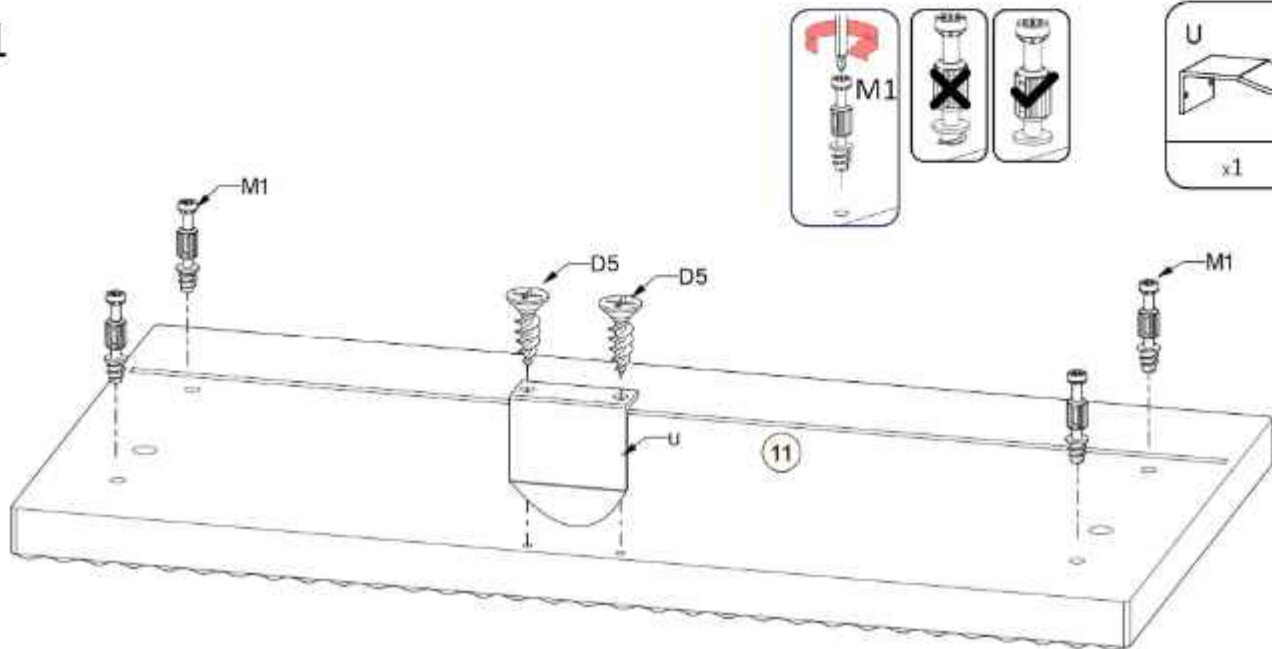
19



20



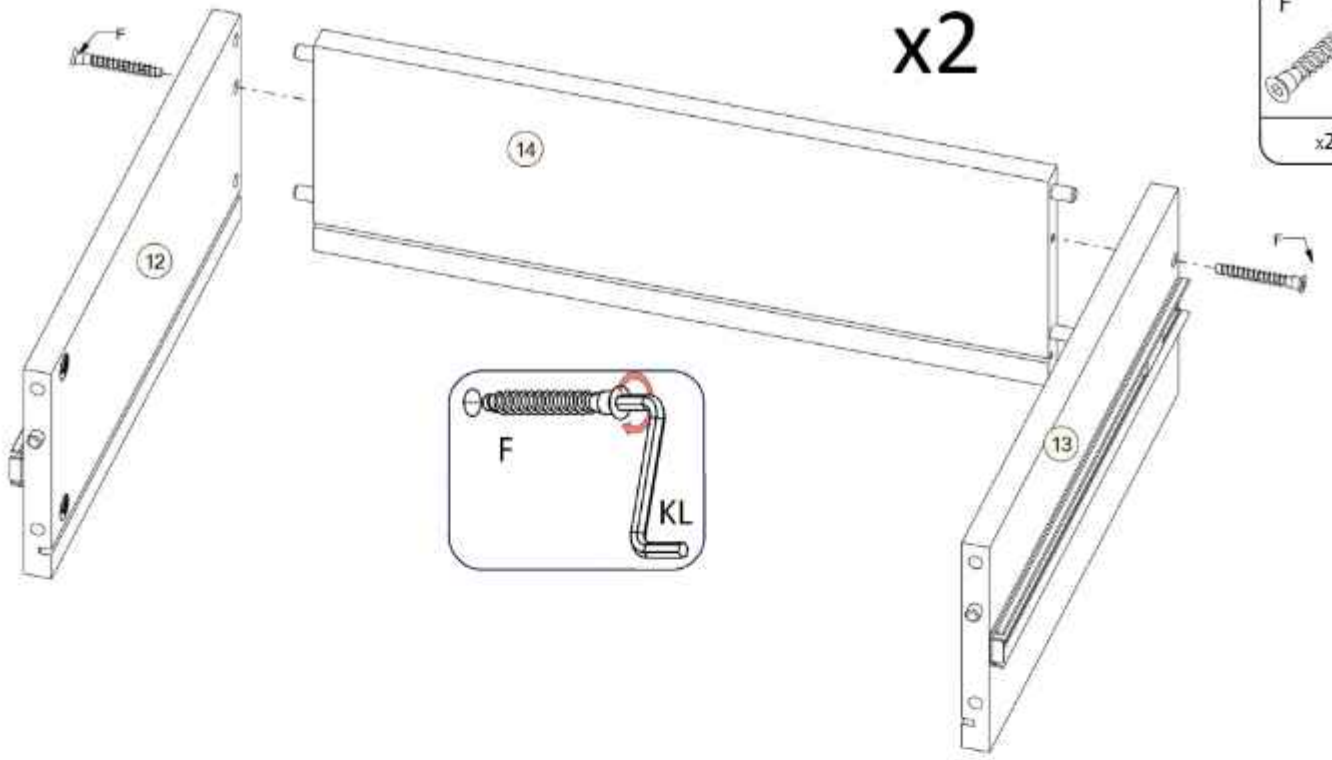
21



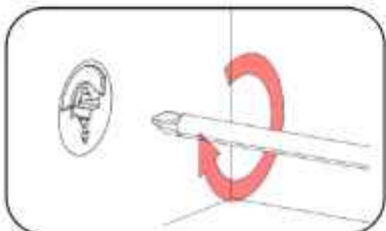
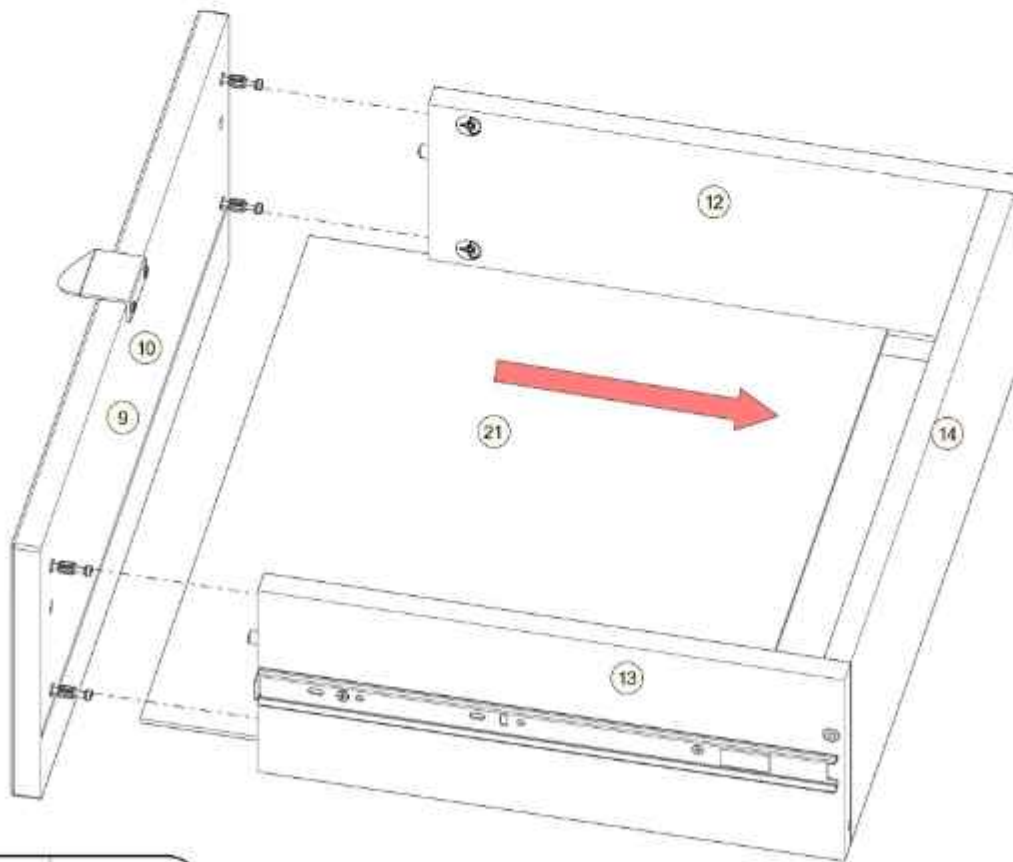
22

x2

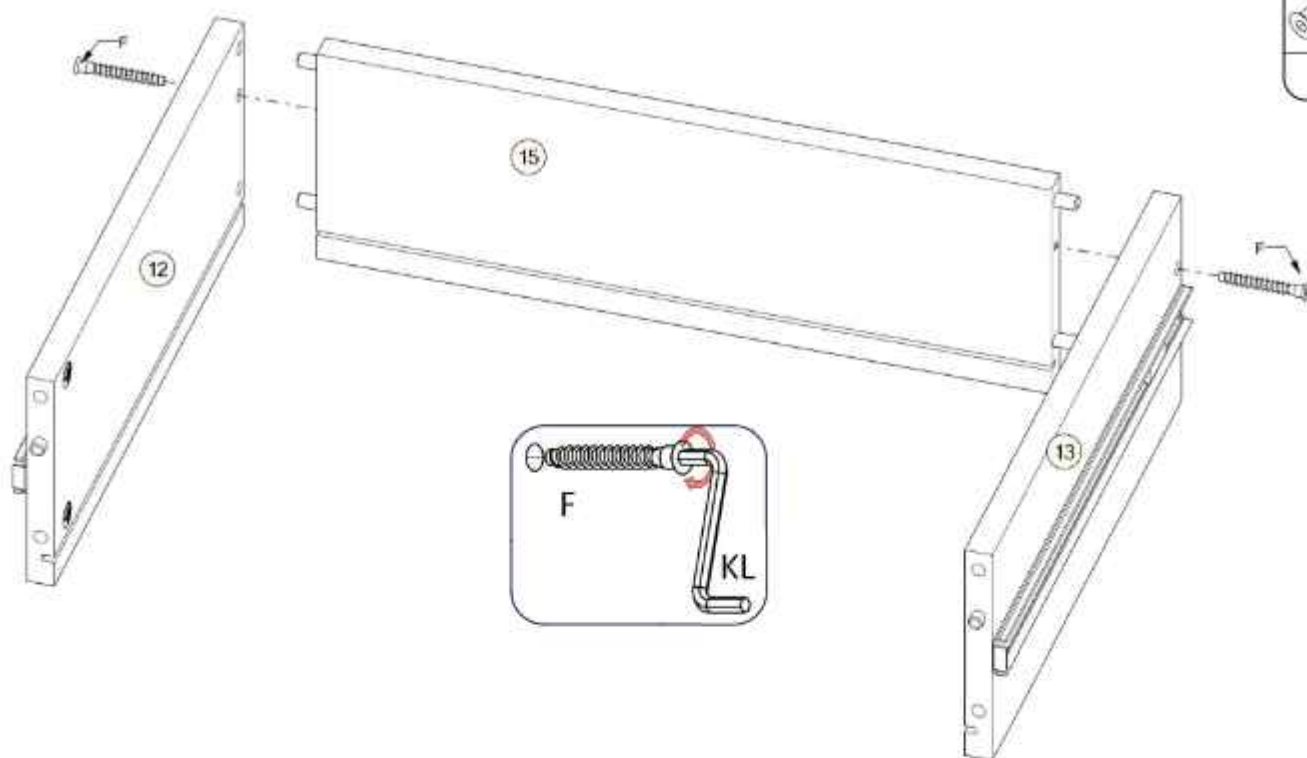
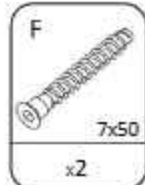
F  
7x50  
x2



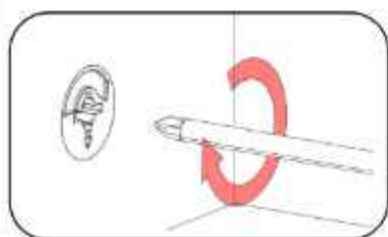
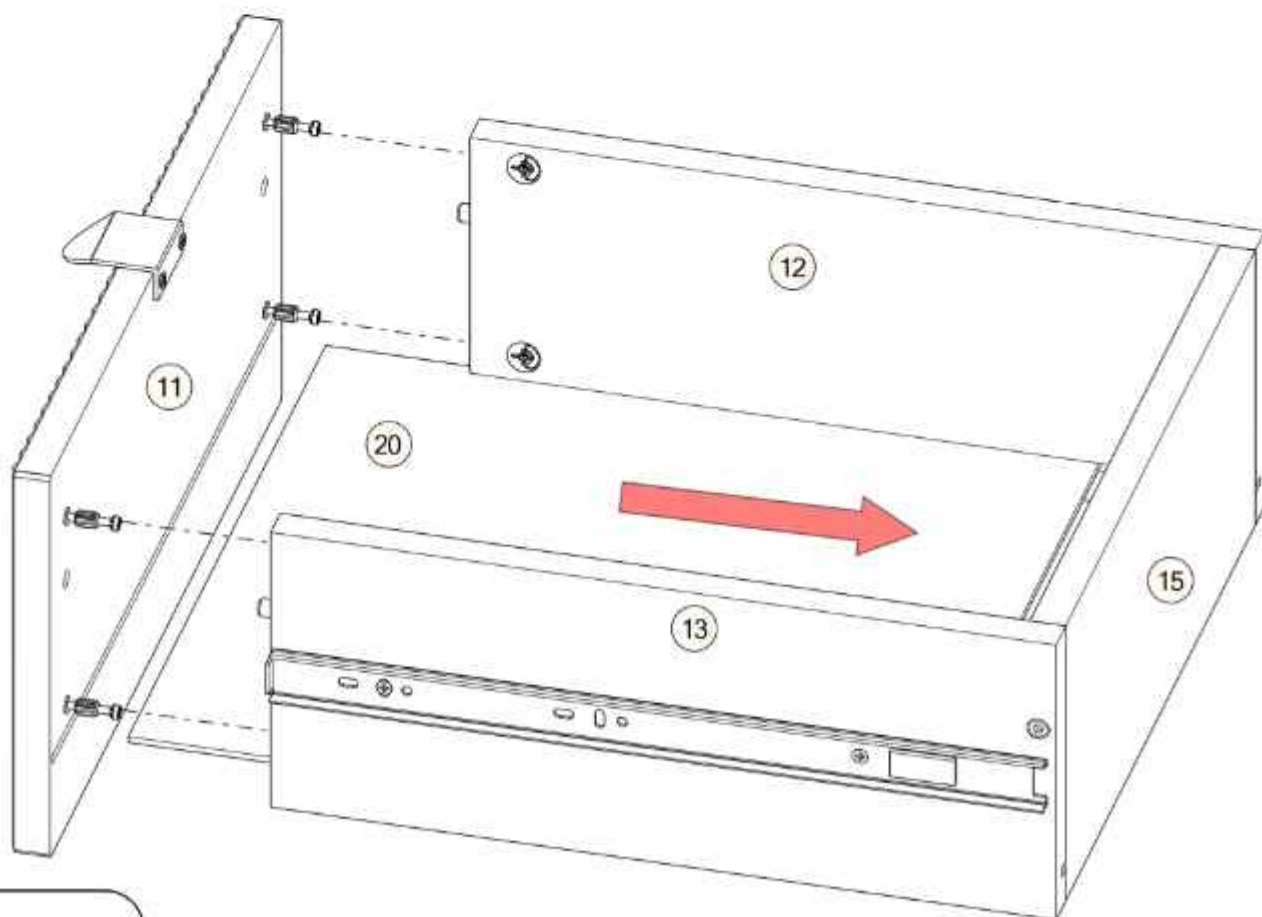
23



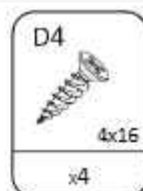
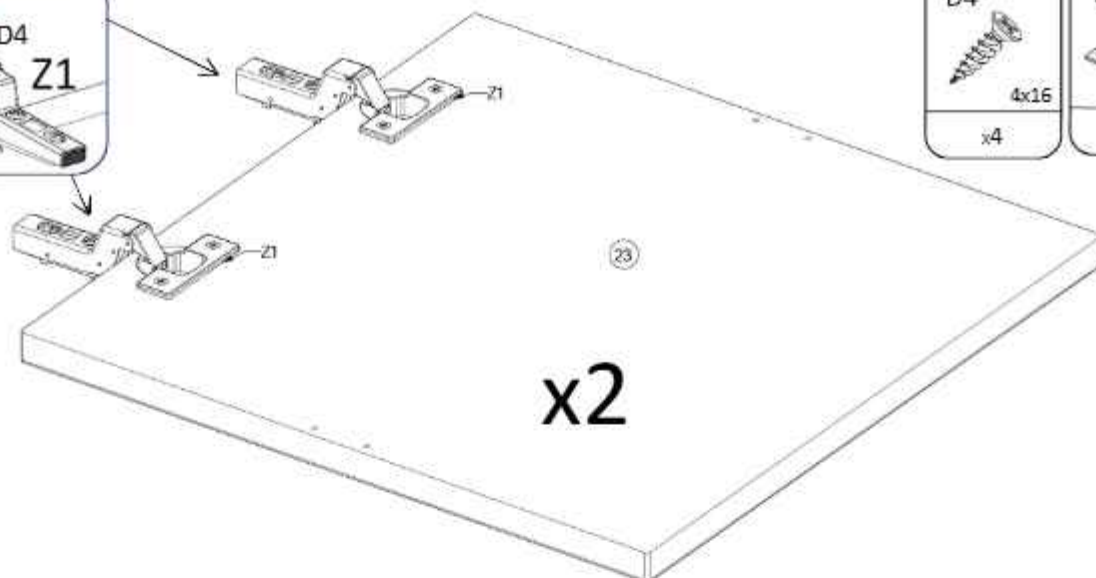
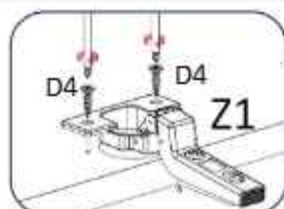
24



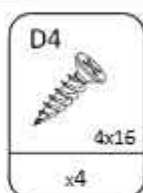
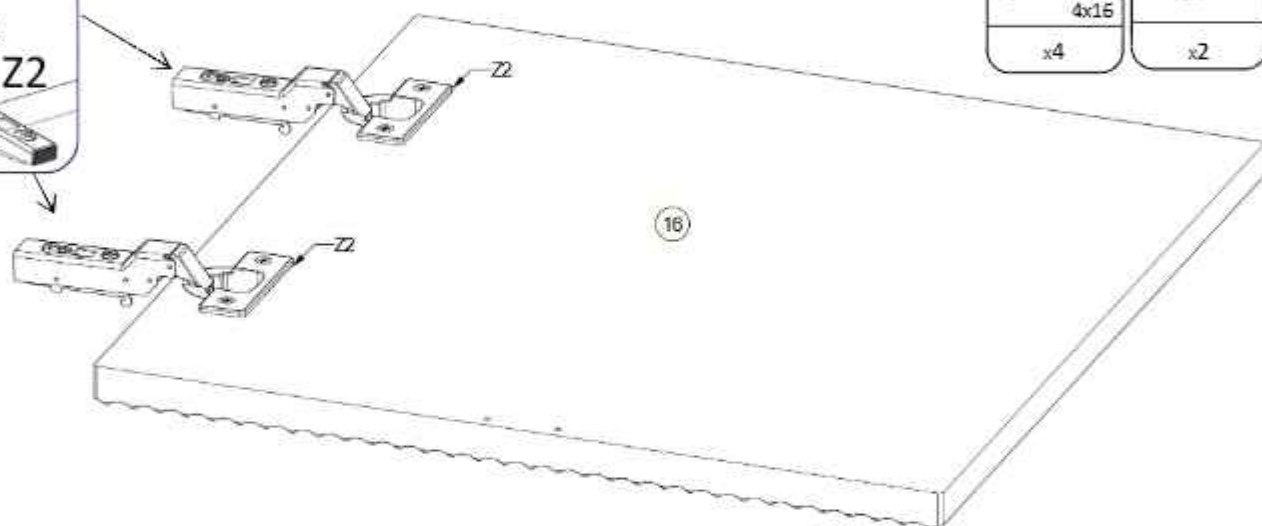
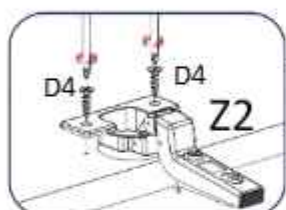
25



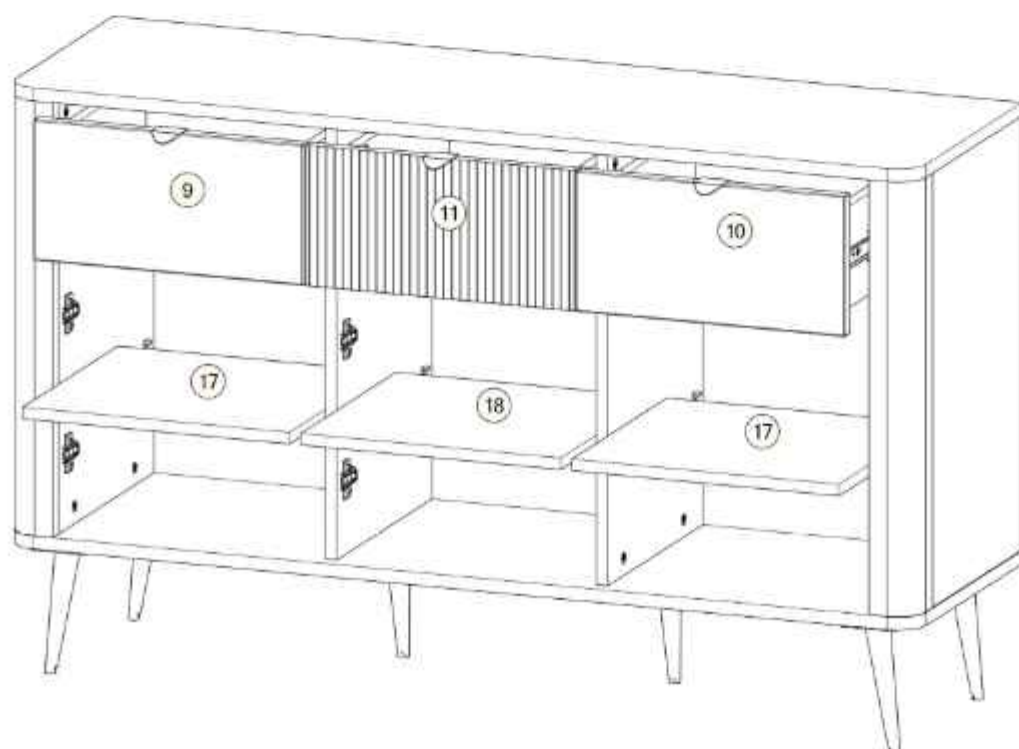
26



27



28



29

