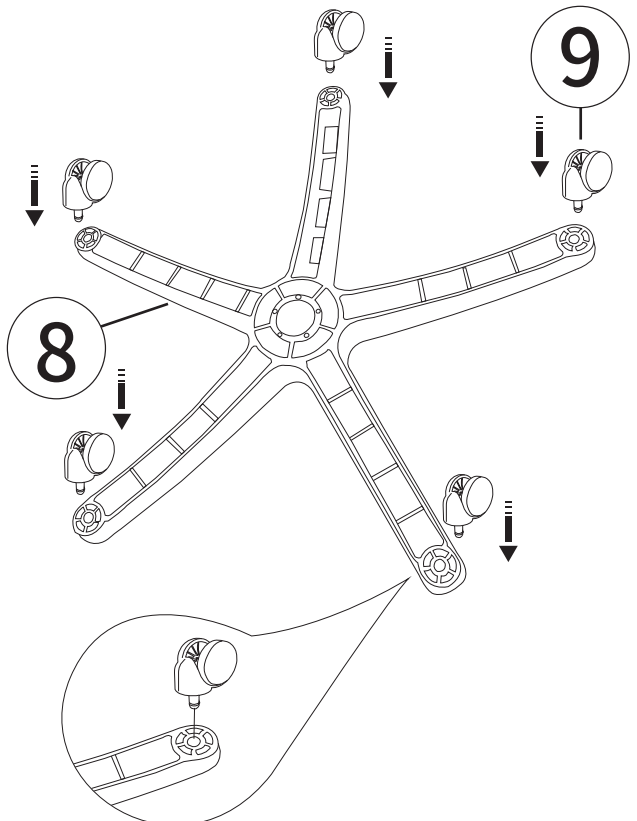
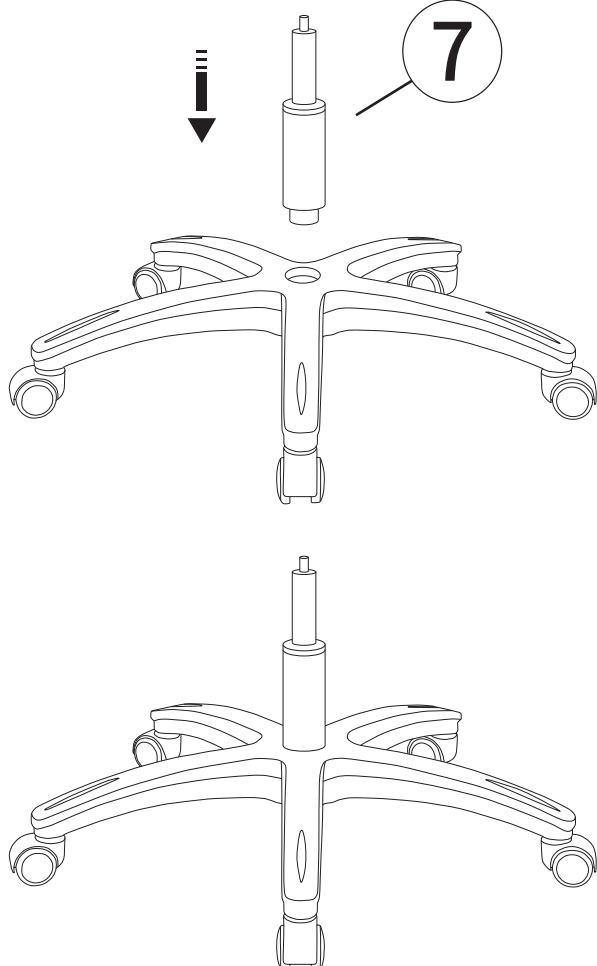


INSTRUCTION MANUAL

<p>A  ×4</p> <p>B  ×4</p> <p>C  ×4</p> <p>D  ×4</p> <p>E  ×4</p> <p>H  ×2</p> <p>F  ×1</p>		<p>1. Headrest</p> <p>2. Back</p> <p>3. Left Armrest</p> <p>4. Right Armrest</p> <p>5. Seat</p> <p>6. Control Mechanism</p> <p>7. Cylinder Column</p> <p>8. Base</p> <p>9. Castor</p>
--	---	---

<p>1</p> 	<p>2</p> 
---	--

