

---

# NATURAL OAK STRIPE 4-DRAWER DRESSER

User Manual

---

# INTRODUCTION

Thank you for choosing the 4-Drawer Dresser. Please read this user manual carefully and keep it for future reference. If you need any assistance, please contact us by email with your order number and details.

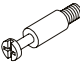

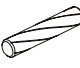

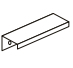








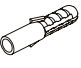

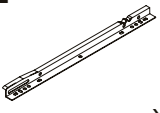
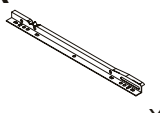
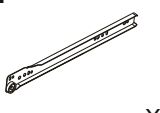
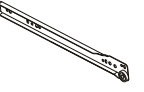
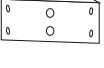

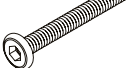

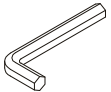

## PACKAGE CONTENTS

- 1 x 4-Drawer Dresser
- 1 x Pack of Accessories
- 1 x User Manual

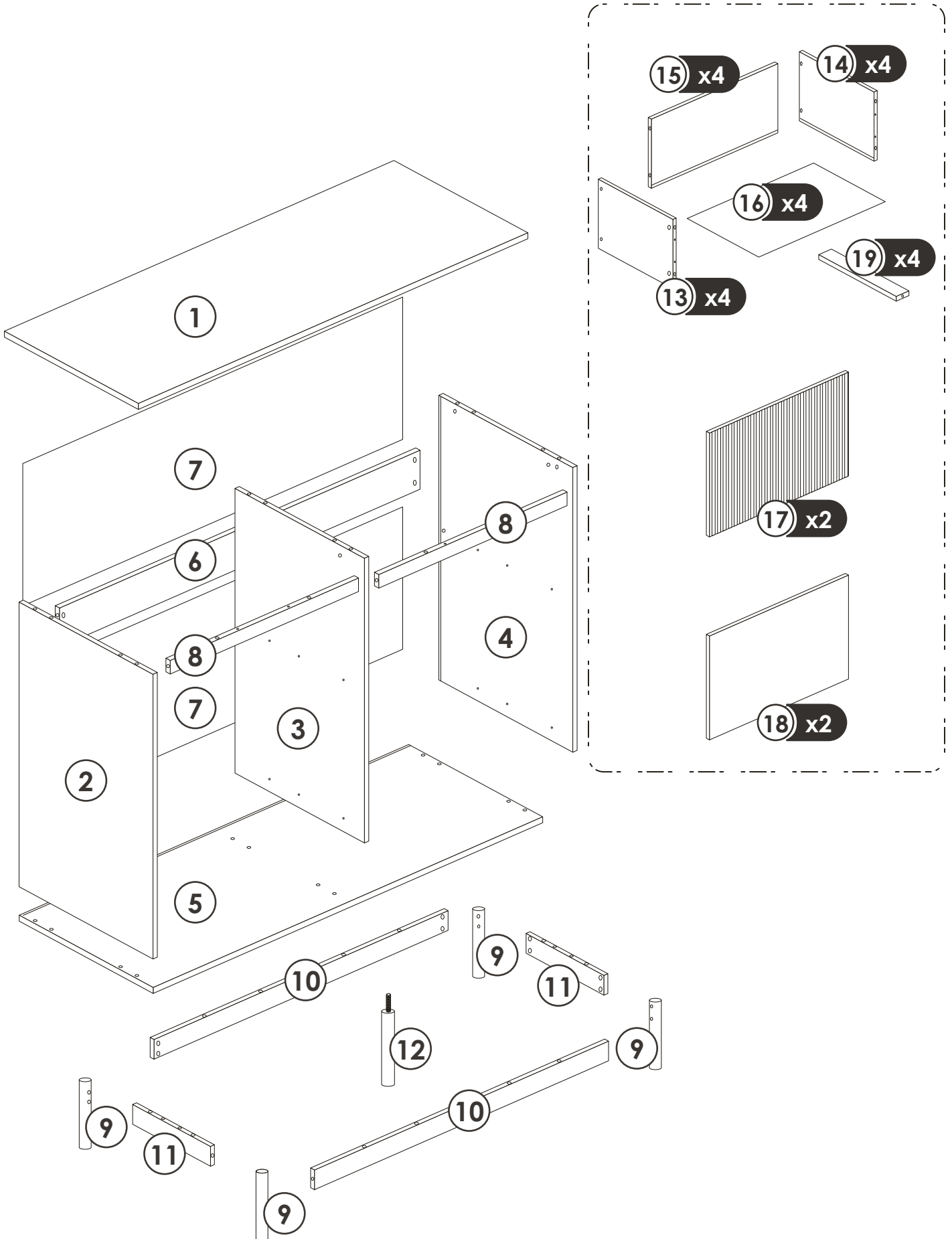
## PRODUCT CARE

- Please follow the instruction to assemble this item correctly.
- Don't make the screws be too loose or too tight.
- Please put the screws into the holes' position just as shown in the arrows of the image, and then clockwise rotate 90° or 180°
- More product parts, it is recommended that two people install
- The fittings pack contains small accessories that should be kept away from small children.

## PRODUCT CARE

<b>A</b> M6x36mm  x34	<b>B</b> M15x9.5mm  x34	<b>C</b> M5.8x30mm  x40	<b>D</b> M4x30mm  x20	<b>E</b>  x4	<b>F</b> M4x35mm  x10	
<b>G</b> M3.5x12mm  x48	<b>H</b> φ25x3mm  x4	<b>I</b> M4x50mm  x14	<b>J</b> M3x14mm  x8	<b>K</b> M4x14mm  x2	<b>L</b>  x4	
<b>M</b>  x2	<b>N</b>  x2	<b>O</b>  x1	<b>DL</b>  x4	<b>DR</b>  x4	<b>CL</b>  x4	
<b>CR</b>  x4	<b>P</b>  x4	<b>Q</b> M4x25mm  x16	<b>R</b> M6x60mm  x8	<b>S</b>  x8	<b>T</b>  x1	<b>U</b>  x8

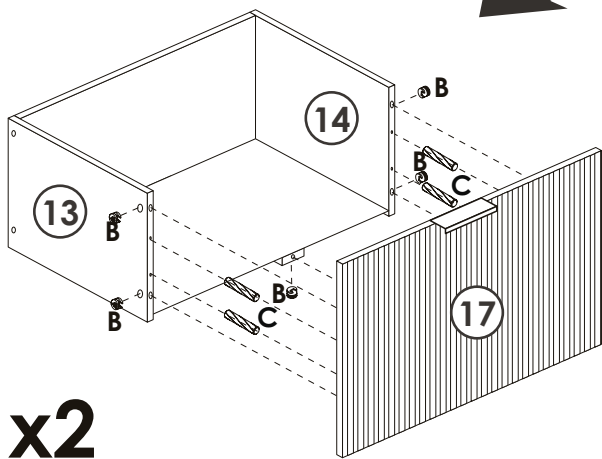
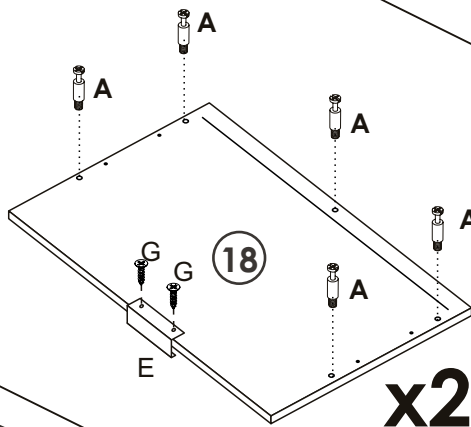
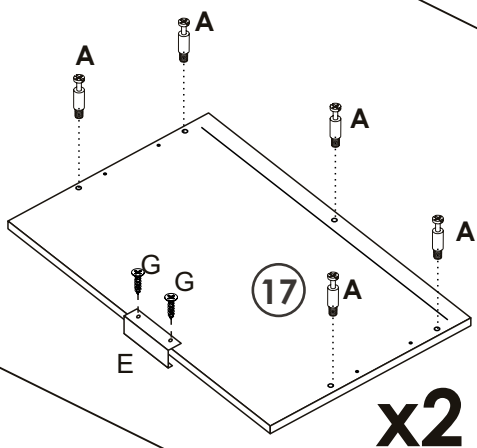
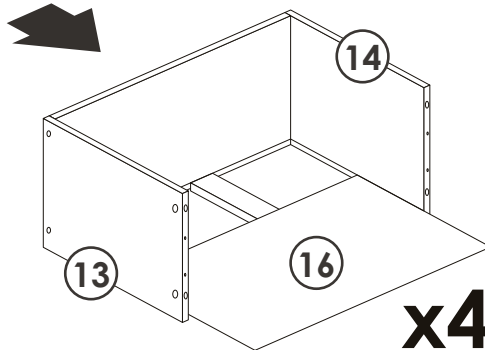
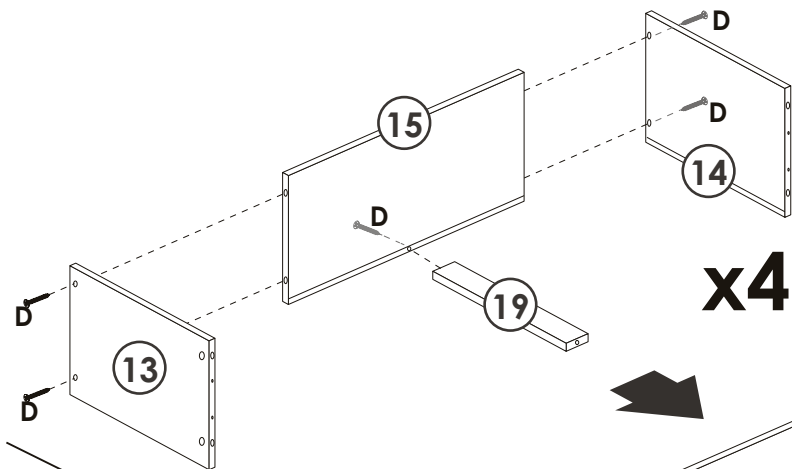
# INTRODUCTION



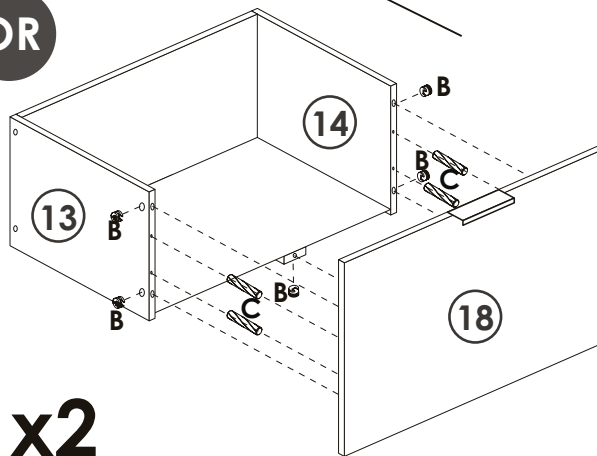
1

YOU WILL NEED

Ax20	Bx20	Cx16
Dx20	Gx8	Ex4



OR



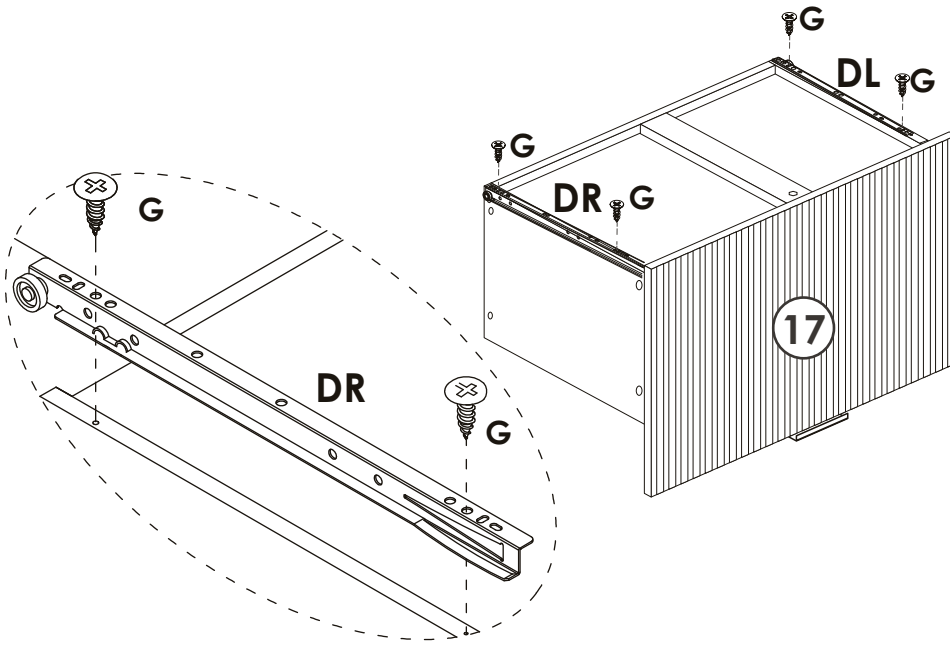
2

YOU WILL NEED

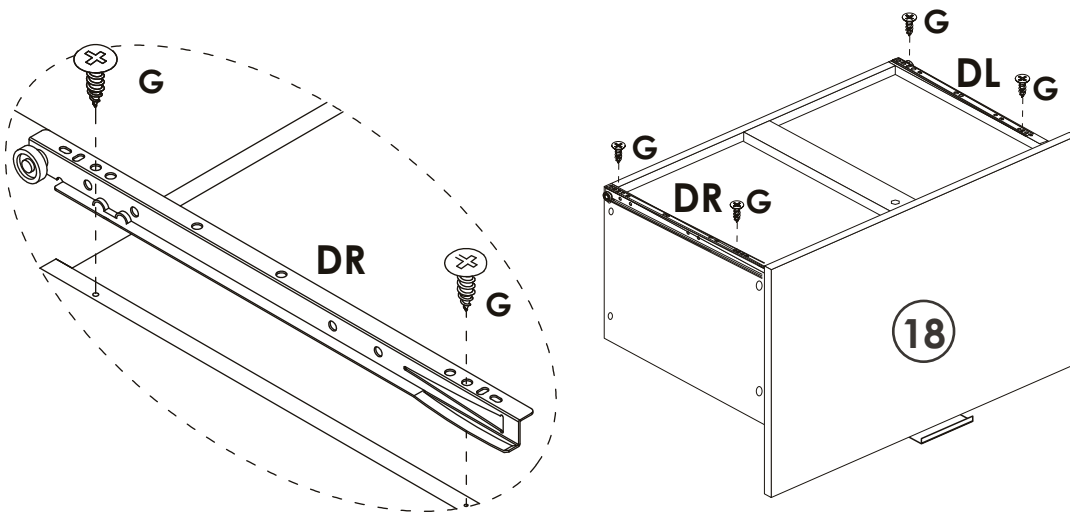
Gx16

DRx4

DLx4



x2



x2

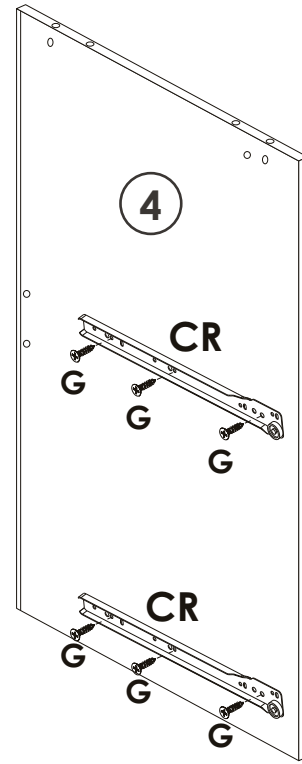
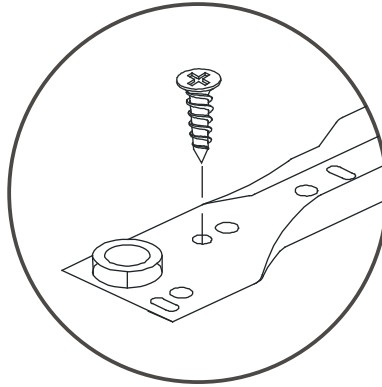
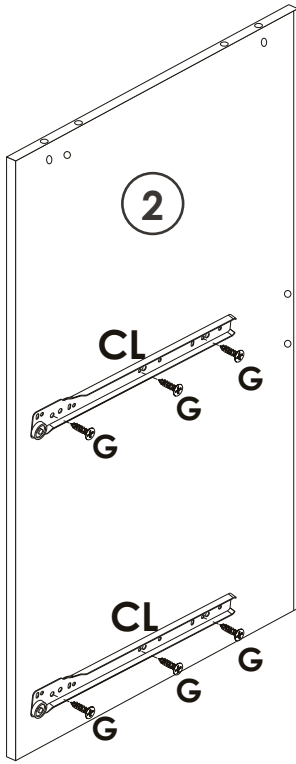
3

YOU WILL NEED

CLx2

CRx2

Gx12



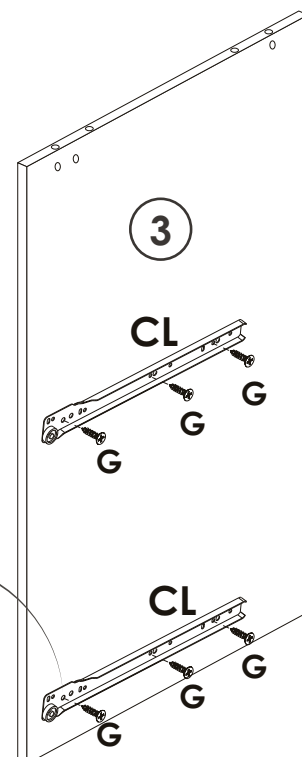
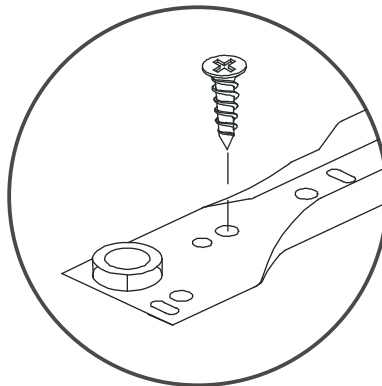
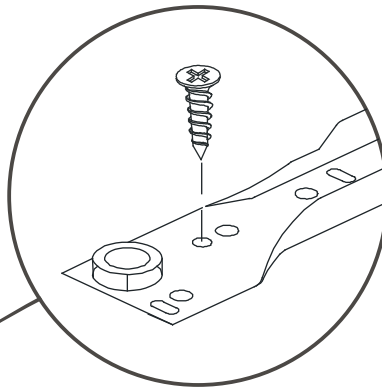
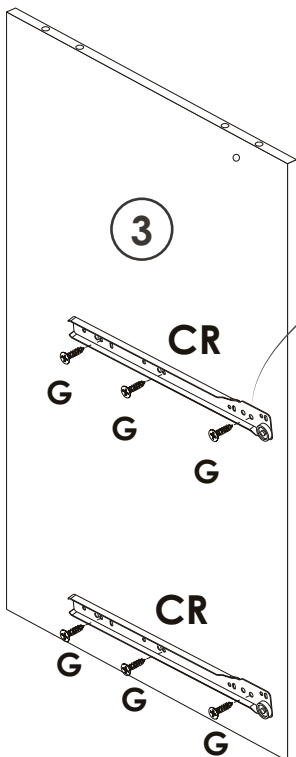
4

YOU WILL NEED

CLx2

CRx2

Gx12



**5**

YOU WILL NEED	
Fx2	

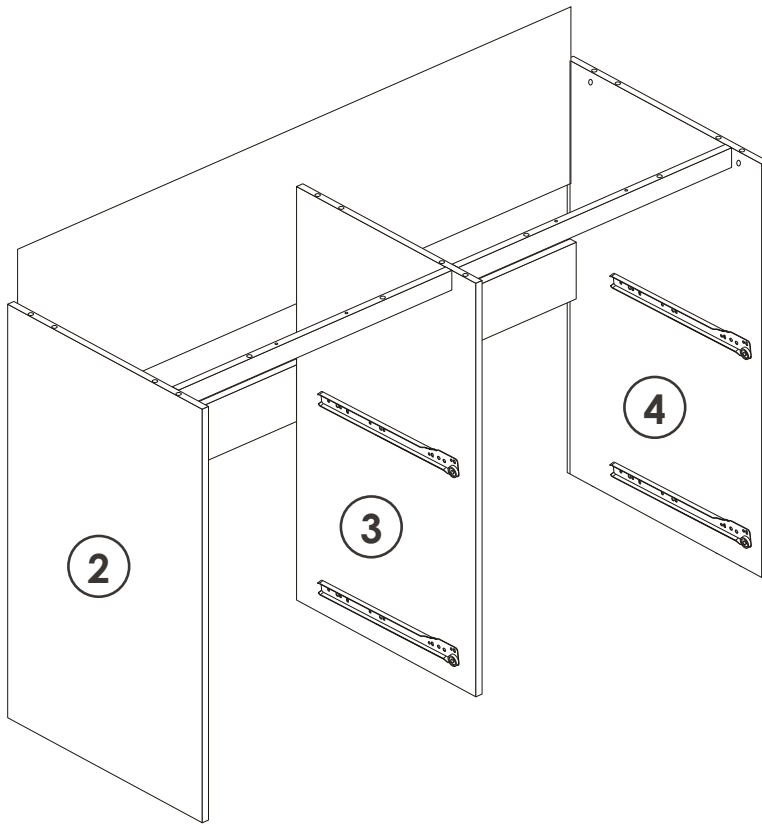
**6**

YOU WILL NEED	
Ax4	Bx4

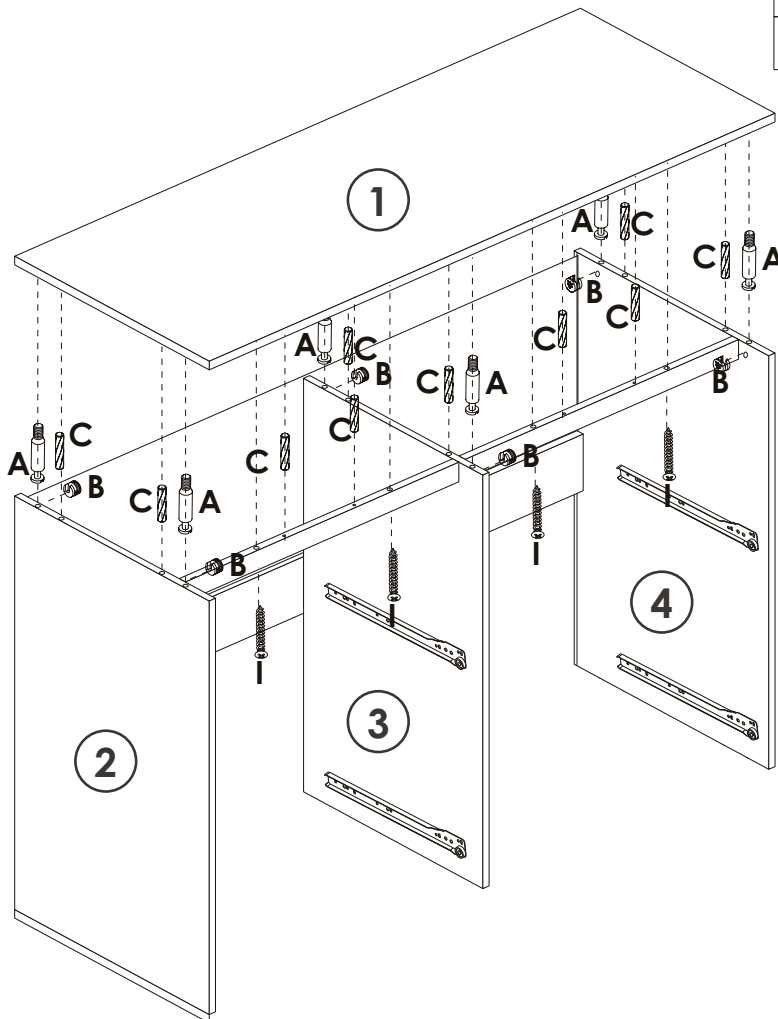
**7**

YOU WILL NEED	
Ax4	Bx4

8



9



**YOU WILL NEED**

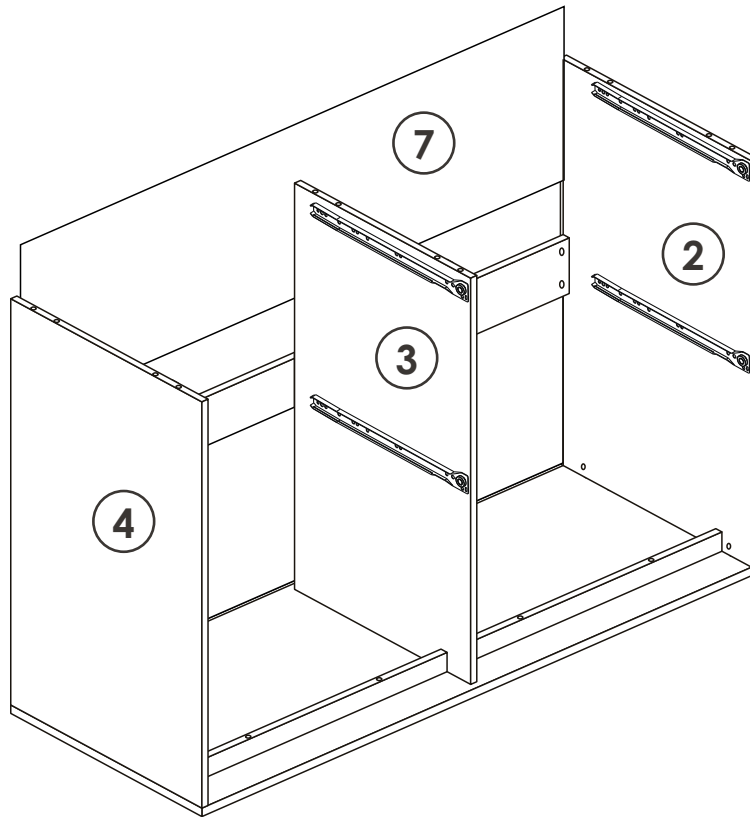
**A**x6

**B**x6

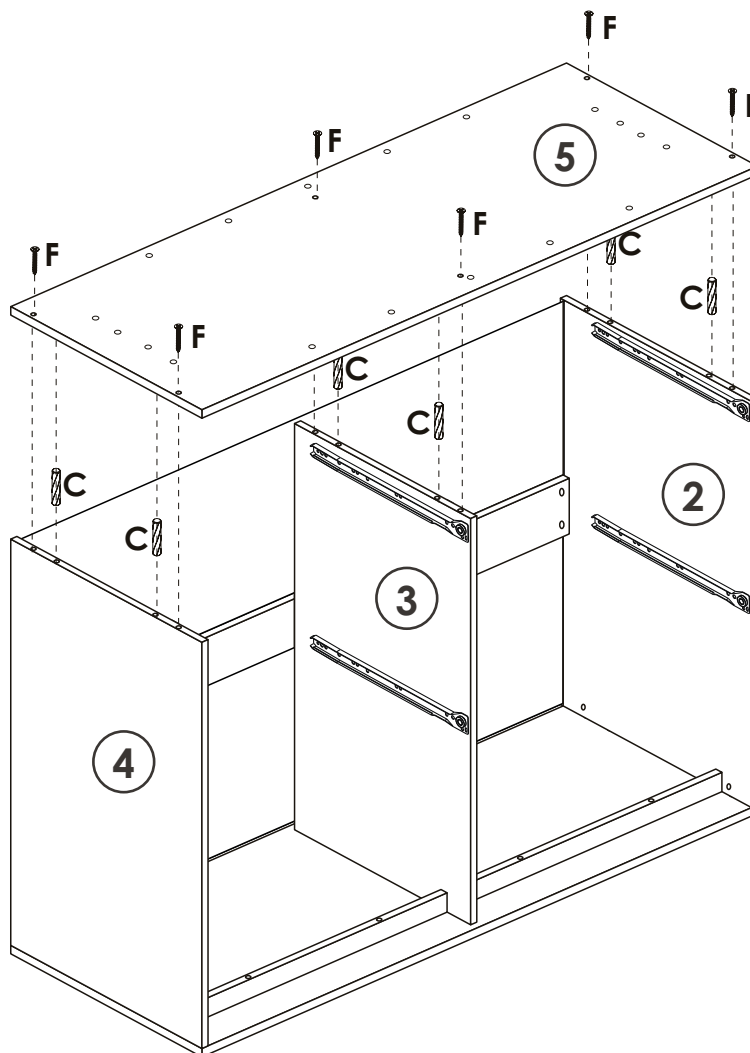
**C**x10

**I**x4

10



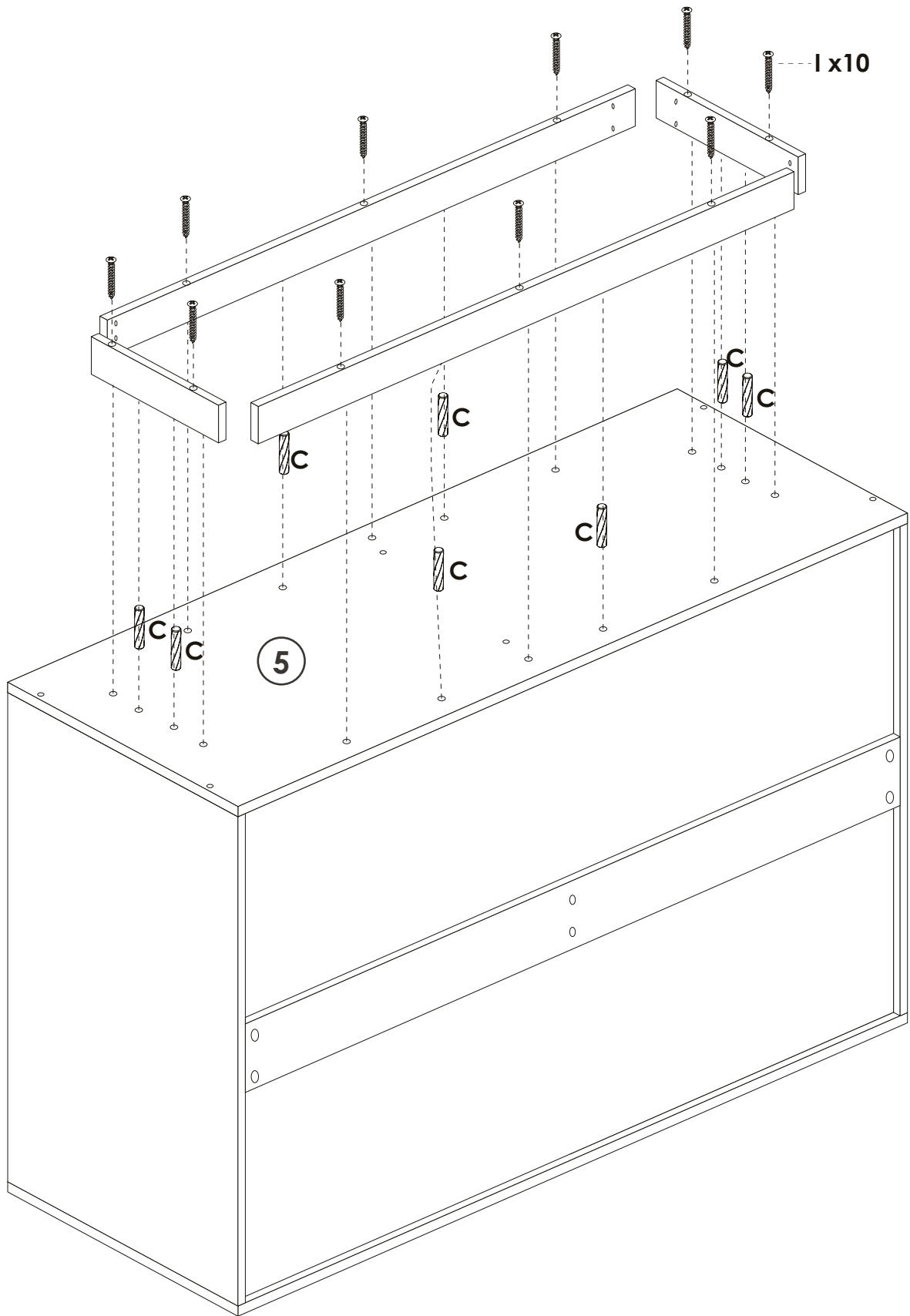
11

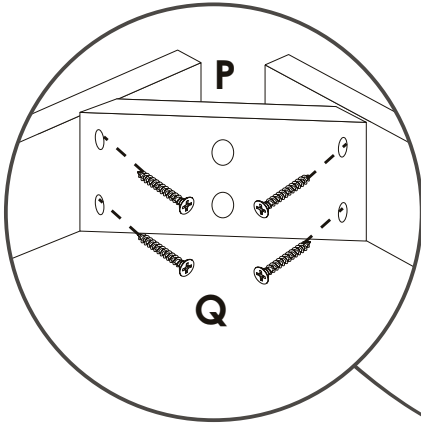


YOU WILL NEED

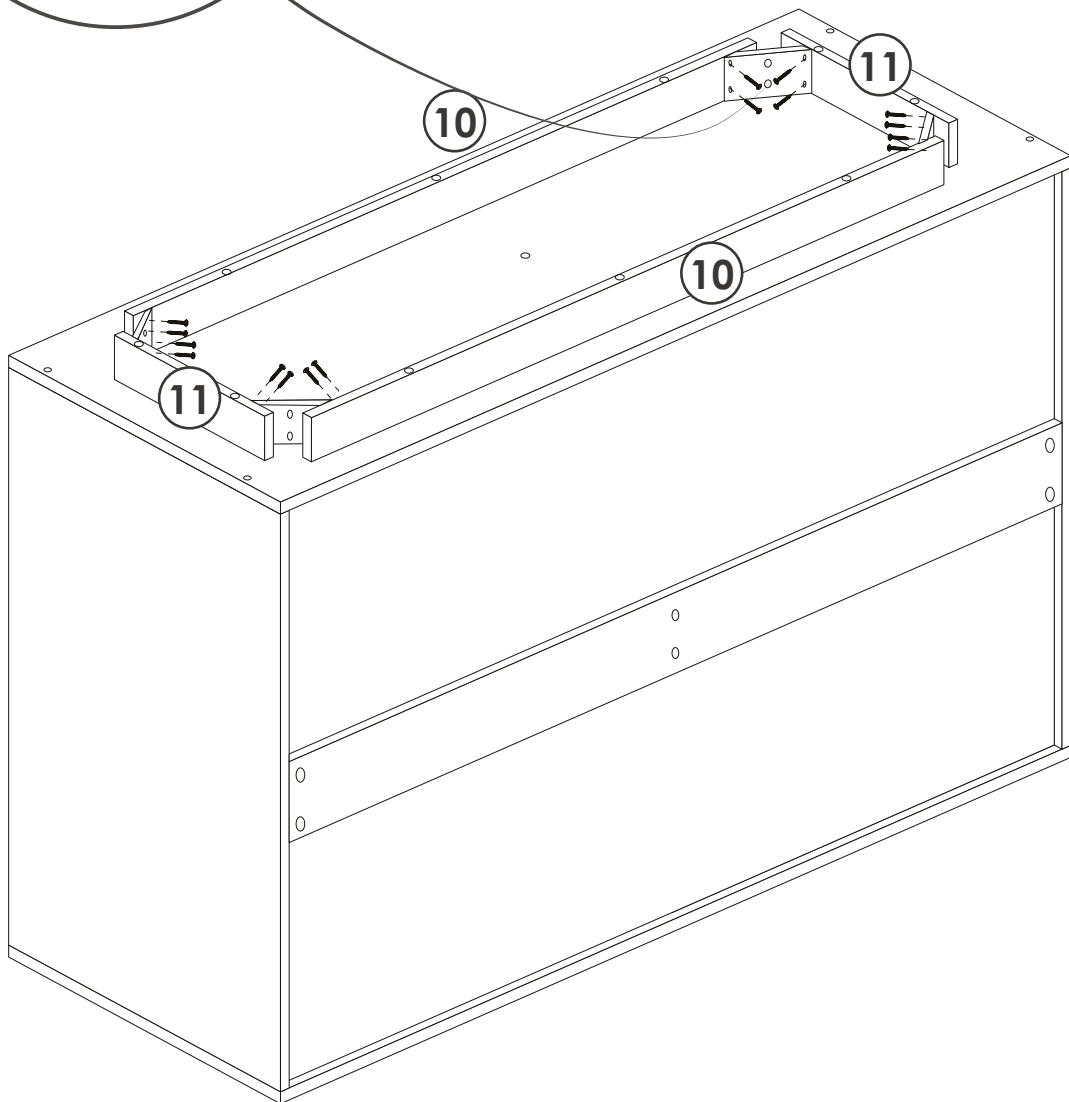
Cx6

Fx6

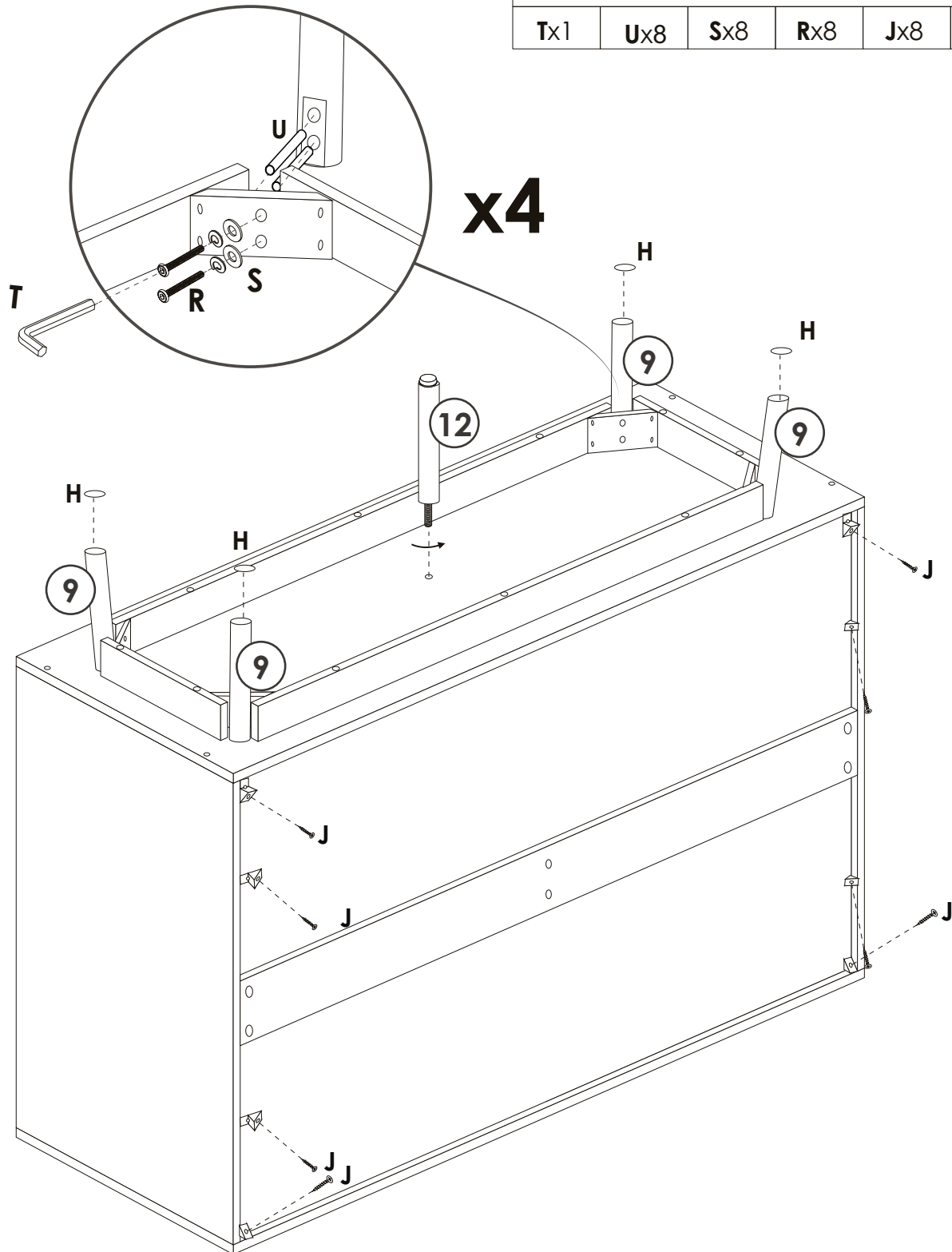
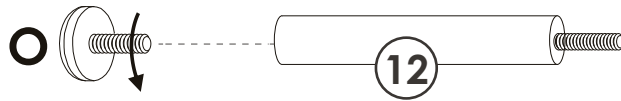




x4



Ox1



YOU WILL NEED

Tx1	Ux8	Sx8	Rx8	Jx8	Hx4
-----	-----	-----	-----	-----	-----

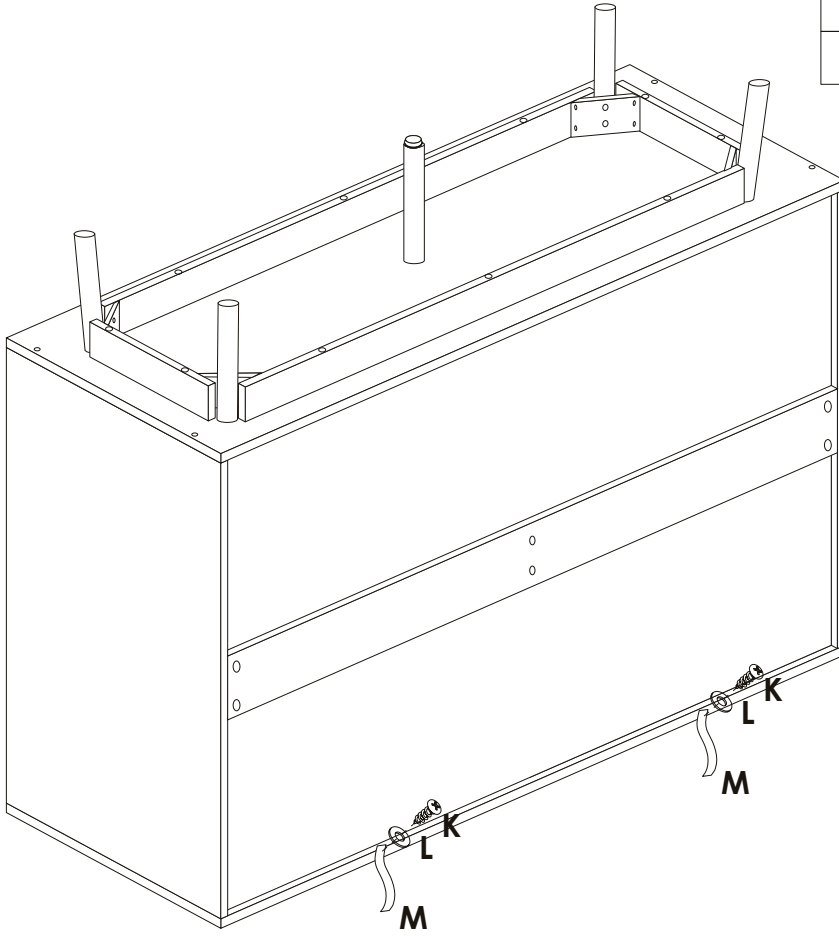
15

YOU WILL NEED

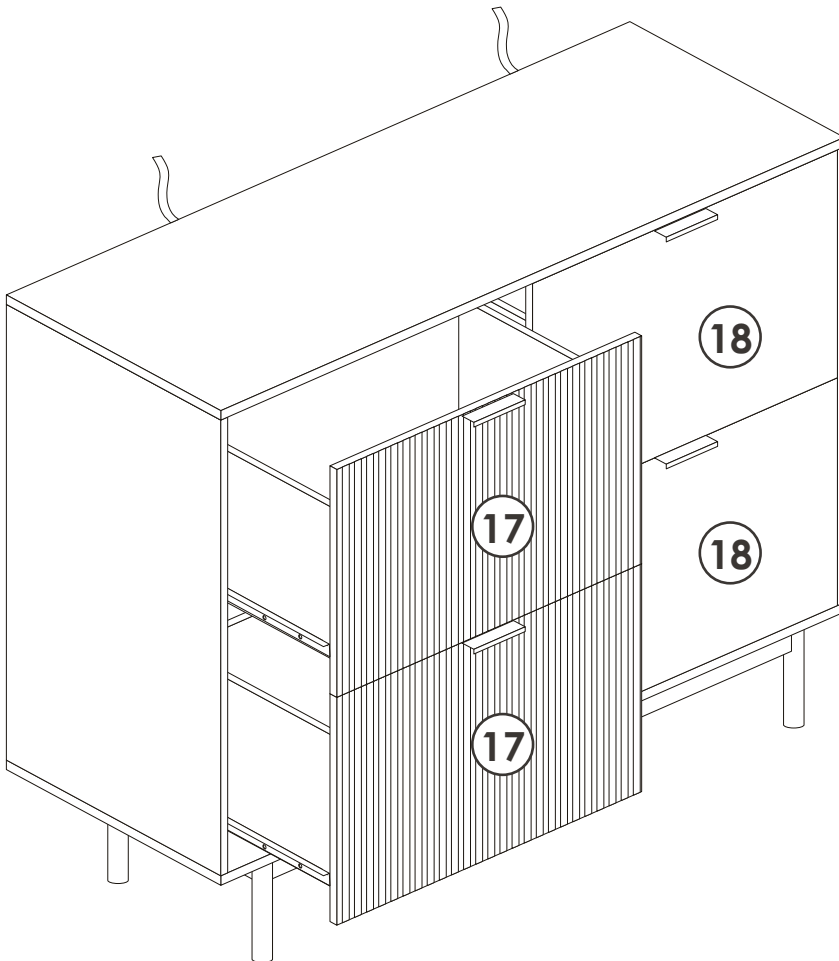
Kx2

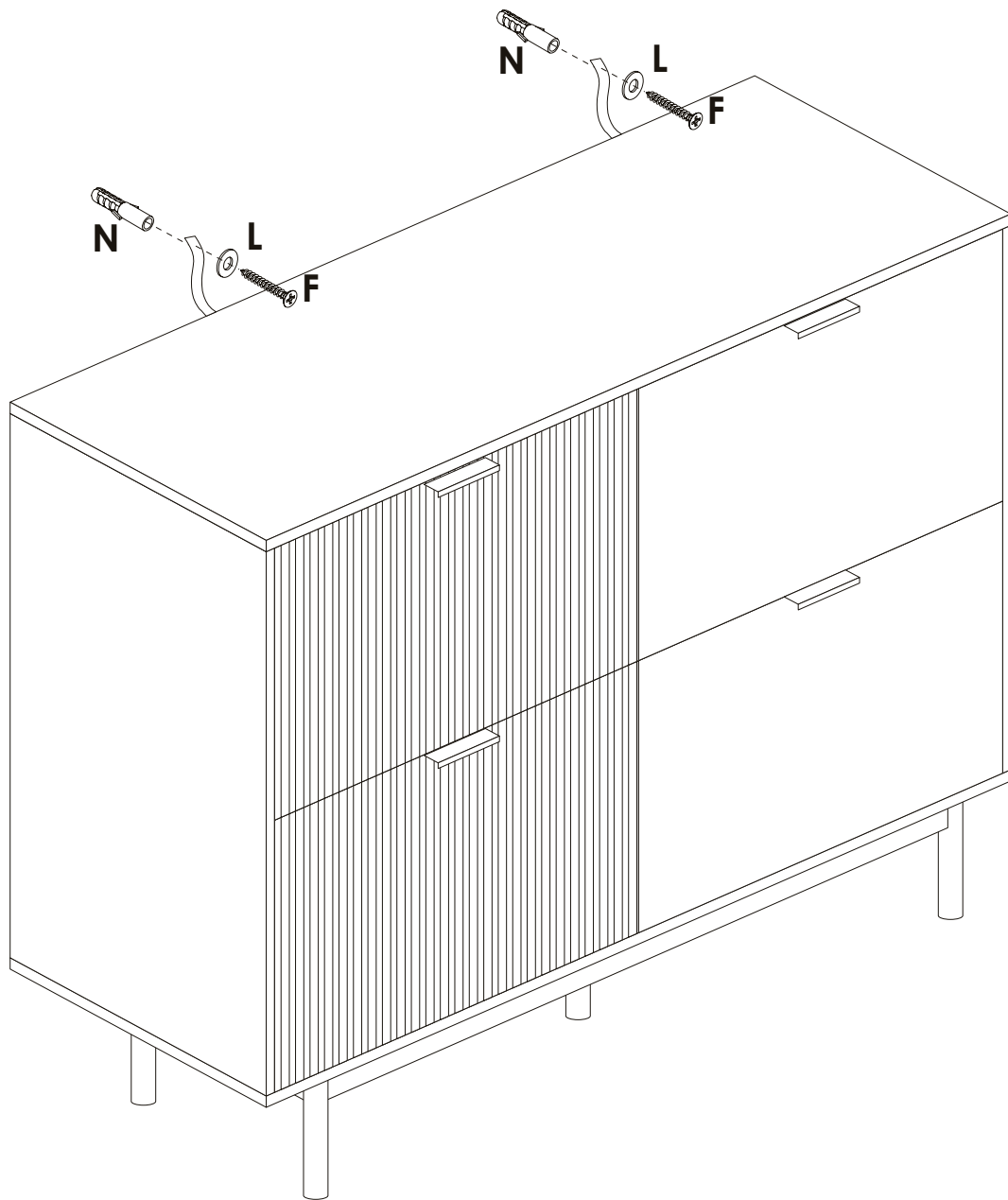
Lx2

Mx2



16





## GUARANTEE

4-Drawer Dresser offers a 90-days warranty that begins on the date of the original purchase and applies to problems caused by the manufacturer. For questions, assistance, or support, please contact the Customer Service by e-mail with your order number and details. We will send you further information about the solution.