

CLIMA

BY LE PRESENT

2023/24

COMMERCIAL GRADE ROTOPLASTIC PLANTERS
DESIGNED AND MADE IN CANADA.

LE PRESENT



THIRD GENERATION FAMILY OWNED.

Le Présent is a third-generation family-owned wholesaler-importer committed to offering quality home decor accessories since 1967. Fifty-six years later, Le Présent has established itself as a leading trendsetter in Canada and across North America.

Behind Le Présent stands a team of designers with a passion for style and simplicity. Our search for the latest trends in indoor and outdoor home accessories takes us around the globe to source the best in materials and design. The Biagioni family is devoted to treating their customers like family.


Nicolas Biagioni, VP Design


Giuliano Biagioni, VP Marketing



AN INNOVATIVE TECHNOLOGY FOR A NEW COLLECTION.

CLIMA products are made of 100% first-quality linear low-density polyethylene (LLDPE) made in the USA. This type of resin has been used for many years in different outdoor applications such as kayaks, playground modules and pedal boats, making it perfect for indoor or outdoor use in commercial, industrial, hospitality & residential settings.

They are made and tested to withstand all climates, from the tropical sun to rugged winters. Our planters can remain outside year-round without the garden soil having to be removed, whilst remaining as beautiful as day one. They require no maintenance. After a few years, cleaning the products with a water hose (or pressure washer jet) and mild soap will remove stains and debris.

SUSTAINABILITY & RECYCLING



Concerned about the environment, all our plastic materials are entirely recyclable. Our products in black are made of 100% recycled resin. Our manufacturing process does not produce any plastic waste. From a perspective of sustainable products, every part is replaceable if a problem or break occurs.

BEST WARRANTY ON THE MARKET



CLIMA is proud of the quality of the products it markets. Each component is inspected at each stage of its manufacture. To confirm the complete confidence we have in our products, we guarantee all the components issued from rotational moulding, for a period of five (5) years, against any material and manufacturing defect.



SELF-WATERING SYSTEM
Minimal care for natural plants with water reserve and water level.



LIGHTWEIGHT
Maximum weight of 6 kg for our larger models.



SHOCK RESISTANT
Resistant to hits & scratches, and drop-tested at 20 feet.



STRONG UV PROTECTION
Resin certified 15 years.



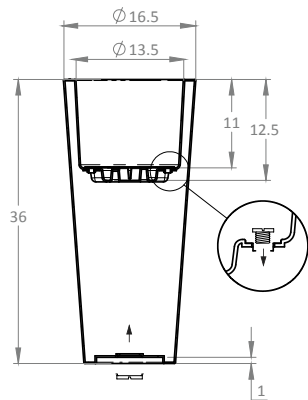
WEATHER RESISTANT
Guaranteed from -100 F to +150 F. Stays outdoor year-round.



EASY TO CLEAN
The light rugged finish is easily wiped cleaned or hosed down.



MADE IN CANADA
All of our planters are proudly designed and manufactured in Canada

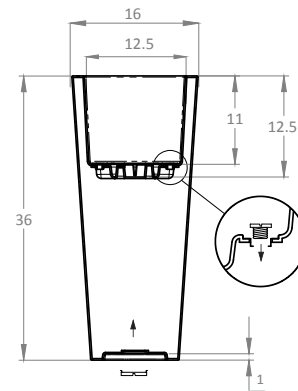
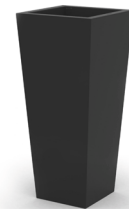


P100
CONE PLANTER - 36"

Modern & timeless conical planter. False bottom for natural plants with removable plugs for drainage. Commercial ready.

5-YEAR WARRANTY
ALL-WEATHER RESISTANT
DRAINAGE KIT INCLUDED

P100 **CONE PLANTER - 36"** 36" x 16.5" x 16.5" LPC199



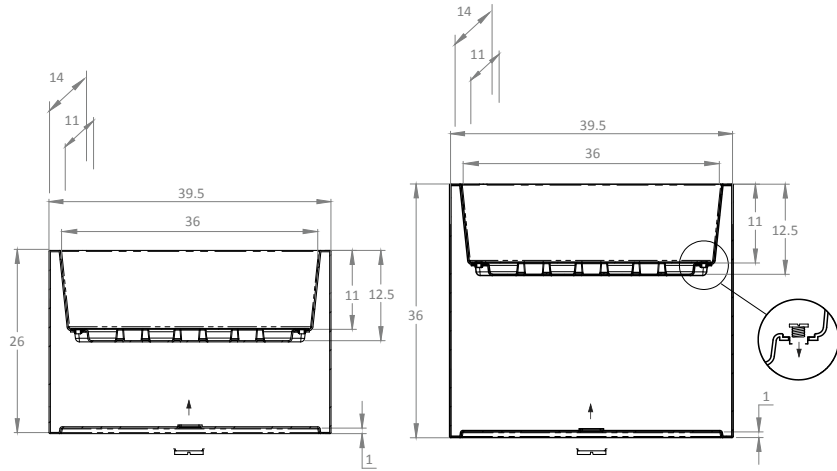
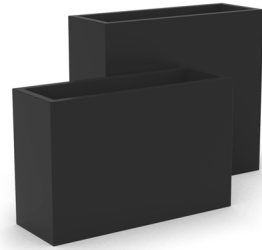
P105
TAPERED PLANTER - 36"

The perfect tapered planter. False bottom for natural plants with removable plugs for drainage. Commercial ready.

5-YEAR WARRANTY
ALL-WEATHER RESISTANT
DRAINAGE KIT INCLUDED

P105 **TAPERED PLANTER - 36"** 36" x 16" x 16" LPC225





P110
LOW BOX PLANTER - 26"

P115
HIGH BOX PLANTER - 36"

The ideal flowerbox duo for all your indoor and outdoor commercial projects. Unbreakable and frost-resistant, ensuring long-term durability. False bottom for natural plants with removable plugs for drainage. The perfect boxes.

5-YEAR WARRANTY
ALL-WEATHER RESISTANT
DRAINAGE KIT INCLUDED

P110	BOX PLANTER - 26"	26" x 39.5" x 14"	LPC299
-------------	--------------------------	-------------------	--------

P115	BOX PLANTER - 36"	36" x 39.5" x 14"	LPC379
-------------	--------------------------	-------------------	--------



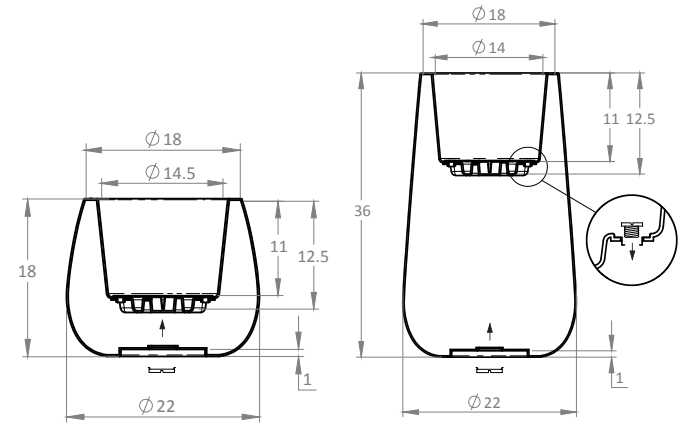


P120
BELLY PLANTER - 18'

P125
DROP PLANTER - 36'

Unique, modern, designed and made in Canada. Ultra-resistant planters with industry-leading warranty. False bottom for natural plants with removable plugs for drainage. These planters are jaw-droppers.

P120	BELLY PLANTER - 18'	18" x 22" x 22"	LPC159
-------------	----------------------------	-----------------	--------



5-YEAR WARRANTY
ALL-WEATHER RESISTANT
DRAINAGE KIT INCLUDED

P125	DROP PLANTER - 36'	36" x 22" x 22"	LPC189
-------------	---------------------------	-----------------	--------

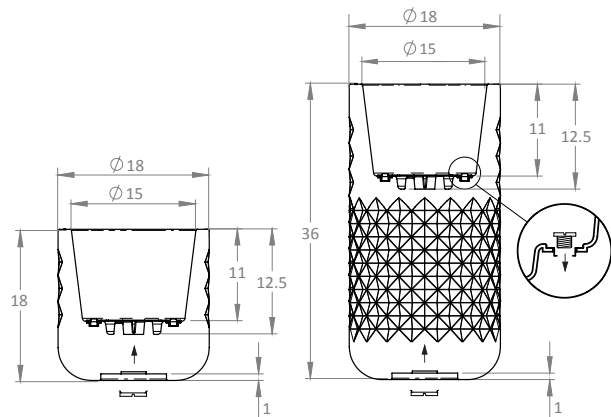




P130
LOW PYRAMID - 18"

P135
TALL PYRAMID - 36"

The pyramidal design on these planters is unlike anything else. They can be left out in the freezing winter of Quebec or the hot sun of Mexico without skipping a beat. False bottom for natural plants with removable plugs for drainage.



5-YEAR WARRANTY
ALL-WEATHER RESISTANT
DRAINAGE KIT INCLUDED

P130 **LOW PYRAMID - 18"** 18" x 18" x 18" LPC169



P135 **TALL PYRAMID - 36"** 36" x 18" x 18" LPC199



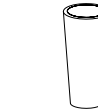


OUR LIMITED 5-YEAR WARRANTY

Le Present is very proud of the quality it puts in its products. Each component is inspected at every manufacturing step. To confirm *Le Present's* total confidence in its products, the company guarantees the first purchaser the rotational casting components for a 5-year period. The only *Le Present* liability and the only recourse of the purchaser under this guarantee will be the obligation to replace or repair defective components as long as the said defects are not attributable to improper usage or usage that does not comply with the directives stated in the maintenance manual. Written permission from *Le Present* is mandatory before returning a defective product for inspection. Any product found defective within the delays stated in the warranty will be repaired or replaced FOB Quebec City if it is sent to the plant with freight costs paid in advance. *Le Present* reserves the right to credit or replace the product or component with new or upgraded parts. Under no circumstance would *Le Present* accept any responsibility for indirect or fortuitous damages in relation thereto the sale and usage of its products. This denial will remain valid throughout the warranty and after it expires. The warranty provisions are in addition to the legal warranties and other rights and remedies pursuant to any legislation, without modifying them or excluding any part whatsoever.



MODELS



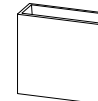
SKU	COLOR	DIMENSION	PUSD
P100.068	WHITE	36" x 16.5" x 16.5"	LPC199
P100.095	GRANITE	36" x 16.5" x 16.5"	LPC209
P100.160	BLACK	36" x 16.5" x 16.5"	LPC199
P100.195	ANTHRACITE	36" x 16.5" x 16.5"	LPC199



SKU	COLOR	DIMENSION	PUSD
P105.068	WHITE	36" x 16" x 16"	LPC225
P105.095	GRANITE	36" x 16" x 16"	LPC235
P105.160	BLACK	36" x 16" x 16"	LPC225
P105.195	ANTHRACITE	36" x 16" x 16"	LPC225



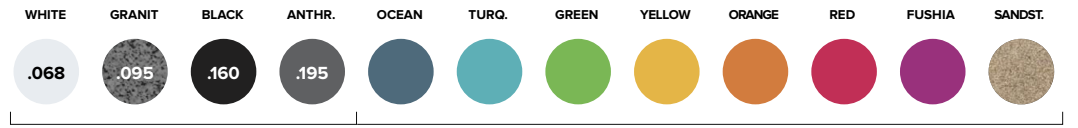
SKU	COLOR	DIMENSION	PUSD
P110.068	WHITE	26" x 39.5" x 14"	LPC299
P110.095	GRANITE	26" x 39.5" x 14"	LPC309
P110.160	BLACK	26" x 39.5" x 14"	LPC299
P110.195	ANTHRACITE	26" x 39.5" x 14"	LPC299



SKU	COLOR	DIMENSION	PUSD
P115.068	WHITE	36" x 39.5" x 14"	LPC379
P115.095	GRANITE	36" x 39.5" x 14"	LPC389
P115.160	BLACK	36" x 39.5" x 14"	LPC379
P115.195	ANTHRACITE	36" x 39.5" x 14"	LPC379

COLORS

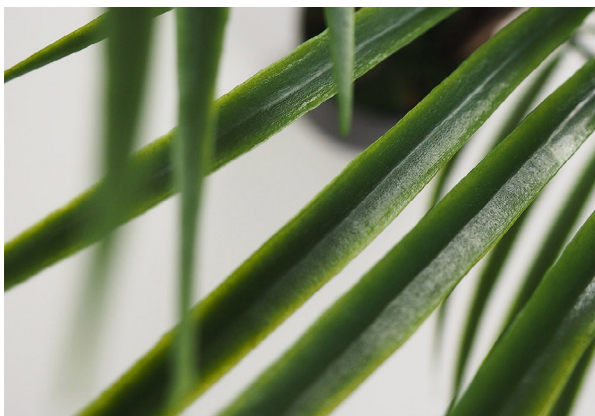
All planters are stocked in white, granite, black & anthracite. Minimum order quantities (x25) on all other colors.



STOCK

MADE TO ORDER (25 units/model)

SKU	COLOR	DIMENSION	PUSD
P120.068	WHITE	18" x 22" x 22"	LPC159
P120.095	GRANITE	18" x 22" x 22"	LPC169
P120.160	BLACK	18" x 22" x 22"	LPC159
P120.195	ANTHRACITE	18" x 22" x 22"	LPC159
P125.068	WHITE	36" x 22" x 22"	LPC189
P125.095	GRANITE	36" x 22" x 22"	LPC199
P125.160	BLACK	36" x 22" x 22"	LPC189
P125.195	ANTHRACITE	36" x 22" x 22"	LPC189
P130.068	WHITE	18" x 18" x 18"	LPC169
P130.095	GRANITE	18" x 18" x 18"	LPC179
P130.160	BLACK	18" x 18" x 18"	LPC169
P130.195	ANTHRACITE	18" x 18" x 18"	LPC169
P135.068	WHITE	36" x 18" x 18"	LPC199
P135.095	GRANITE	36" x 18" x 18"	LPC209
P135.160	BLACK	36" x 18" x 18"	LPC199
P135.195	ANTHRACITE	36" x 18" x 18"	LPC199



LE PRESENT MORE THAN MEETS THE EYE.

1 FIBERGLASS PLANTERS

Lightweight, durable, elegant. Our collection of fiberglass containers offers a simple, elegant design accent to any decor; classic, contemporary, or ultra modern. A perfect addition of colour or contrast to your garden, patio, or interior setting.

2 STAINLESS STEEL PLANTERS

These planters are manufactured using high-quality stainless steel. They are lightweight, impeccably finished and available in polished, satin or hammered steel finishes, in a range of sizes and shapes. A simple solution to help you create a contemporary design statement.

3 ARTIFICIAL BOTANICALS

Our collection of chic and functional faux plants includes boxwoods, cedars, grasses, palms and trees. Designed with the utmost attention to detail and manufactured from top-quality silks and plastics, our plants are both luxurious and realistic. Weatherproof and UV-protected our plants and grasses are guaranteed to withstand the elements and provide you with a maintenance and hassle-free garden experience.

4 CONTEMPORARY CERAMIC VASES

Our superior quality handmade ceramic vase collection comes in a wide range of shapes, in seven bold colours. As a stand alone piece, or to display a beautiful floral arrangement, each vase offers it's own unique design statement. Accessorize your space effortlessly.



[LEPRESENT.COM/CLIMA](https://lepresent.com/clima)

HEAD OFFICE

120-190 Chem. du Bas-de-Sainte-Thérèse,
Blainville, QC J7B 1A7 Canada

WAREHOUSE

3160 Boulevard Industriel,
Sherbrooke, QC J1L 1V8 Canada

INFO

TOLL FREE

TEL

operations@lepresent.com

1800 361-8783

1450 682-9495

SCAN TO VIEW AND PURCHASE INSTANTLY
ALL OF OUR CLIMA COLLECTION.
Register to view wholesale pricing.

