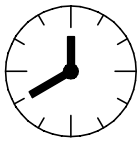
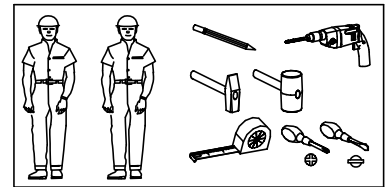
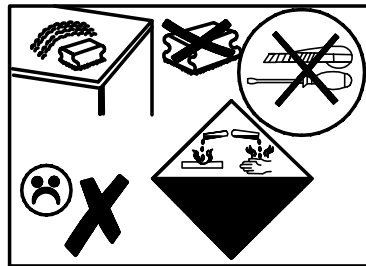
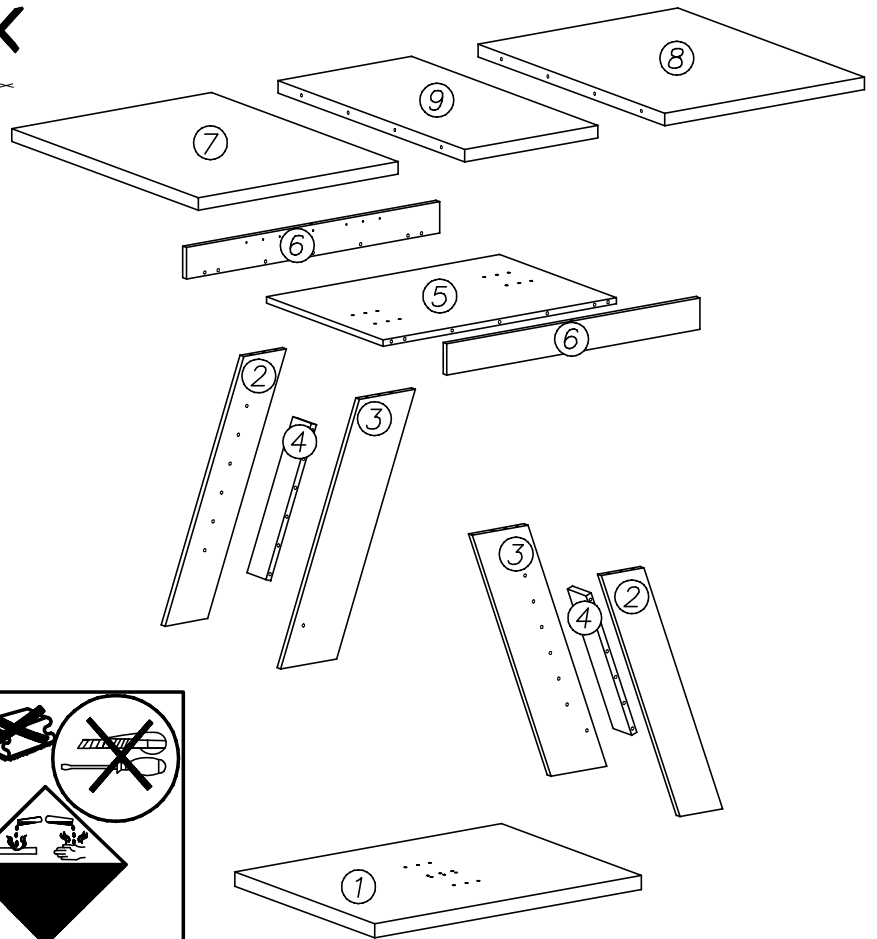
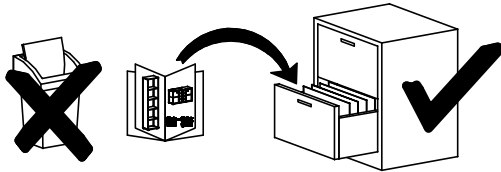
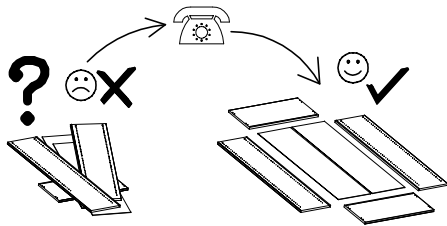
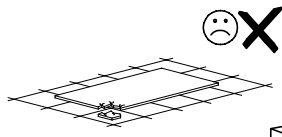
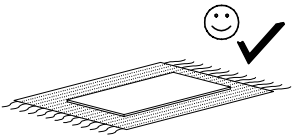
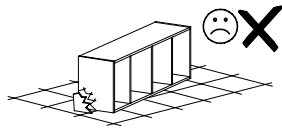
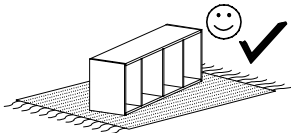
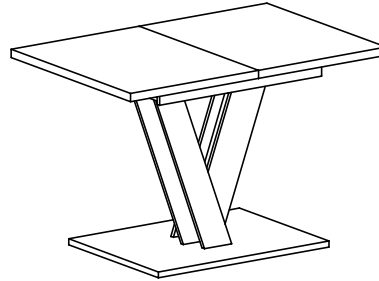





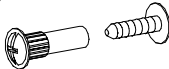

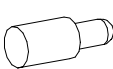

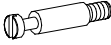


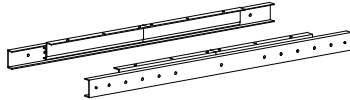
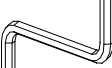
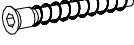




IMPORTANT INFORMATION:

- 1) REMOVE THE PROTECTIVE FOIL IF THE TABLE IS IN HIGH GLOSS
- 2) HIGH GLOSS SURFACE HARDENING TIME IS 2 HOURS
- 3) AFTER 2 HOURS, TO CLEAN THE SURFACE, USE ONLY SOFT CLOTHS (E.G. COTTON OR MICROFIBRE CLOTHS AVAILABLE IN STORES). WASH THE SURFACE WITH A 1% MIXTURE OF SOAPY WATER

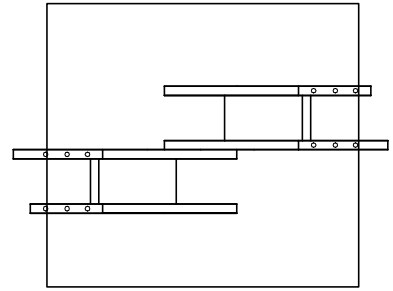
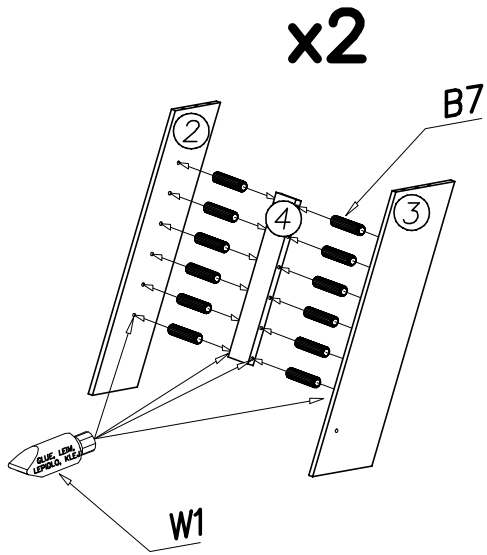


40min

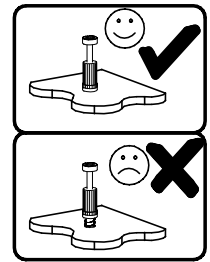
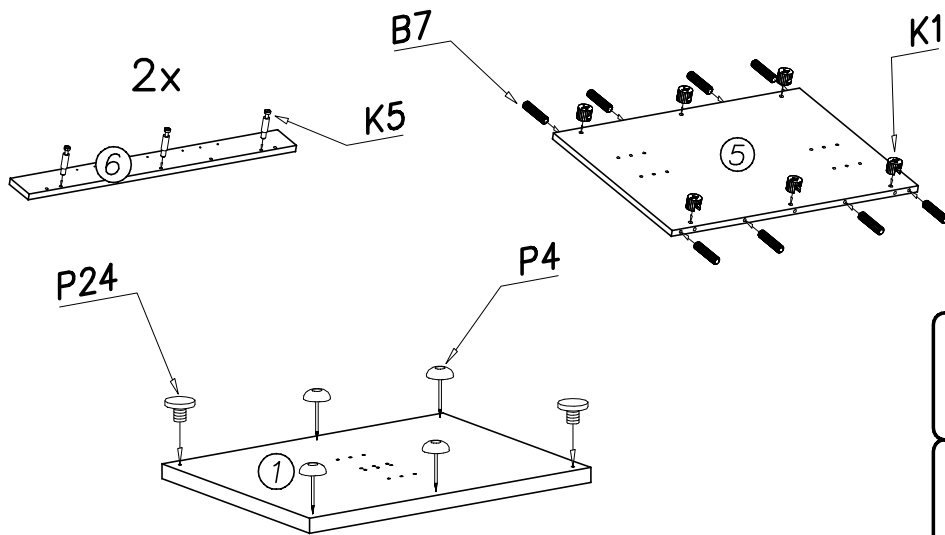


W1  x1	I10  x6	I11  x12	N7  x1	P24  x2	B6  x10
A4  7 x 50 x12	K5  x6	K1  x6	P4  x4	H13  x1	
W2  x1	A2  7 x 70 x12	B7  8 x 30 x32	J10  x4	G34  4 x 15 x8	G10  6,3 x 13 x30

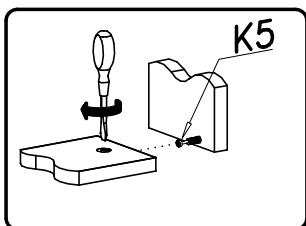
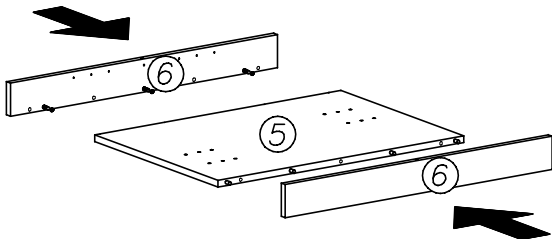
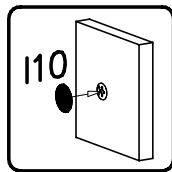
I



II

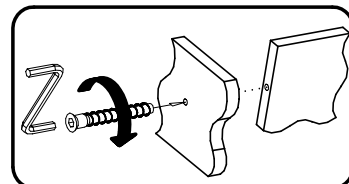
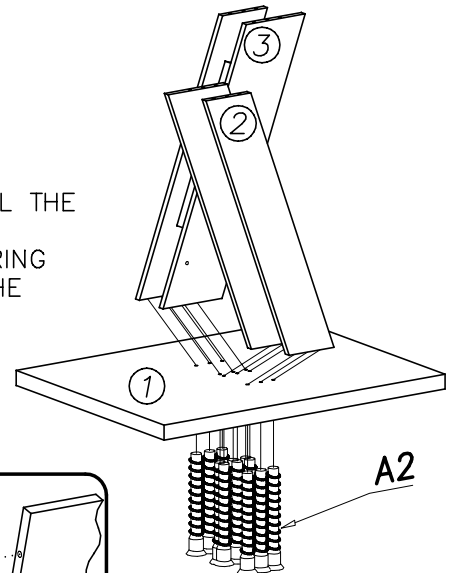


III



IV

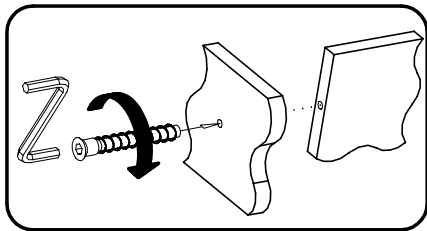
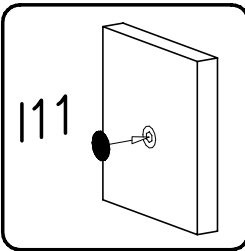
LOOSELY INSTALL THE
SCREWS AND
WASHERS SECURING
THE LEGS TO THE
TABLE BASE



V

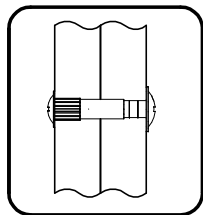
A4

5



N7

LOOSELY INSTALL THE SCREWS AND WASHERS SECURING THE LEGS TO THE TABLE TOP



N7

AFTER THIS STEP TIGHTEN ALL SCREWS

VI

G34

J10

B6

G34

B6

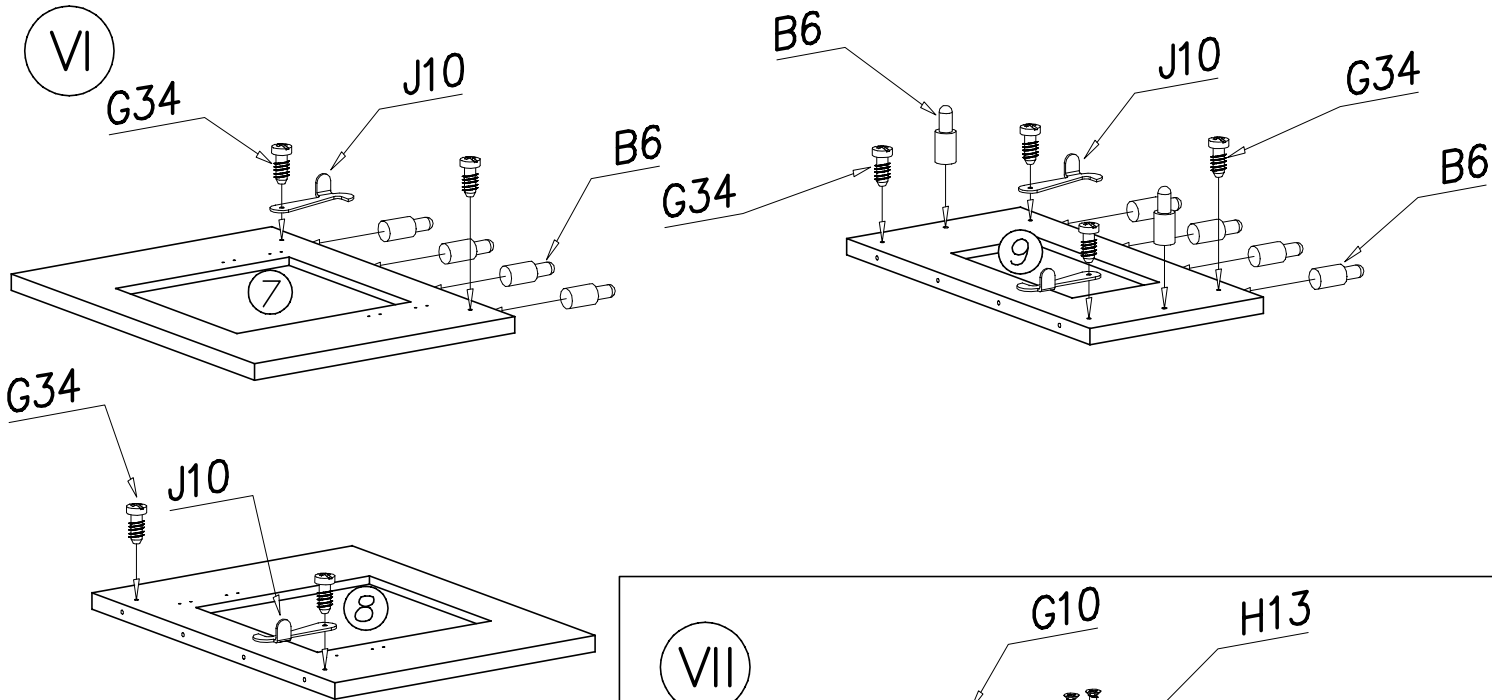
J10

G34

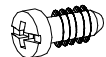
B6

G34

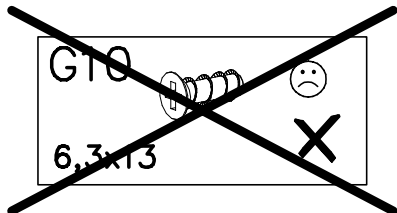
J10



G34



4x15



G10



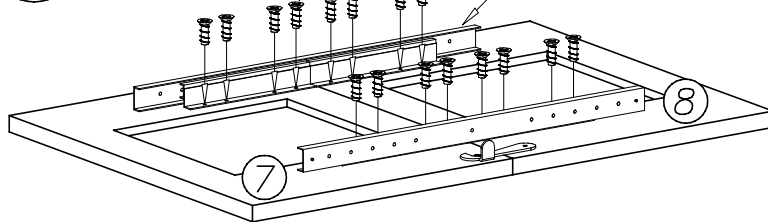
6,3x13



VII

G10

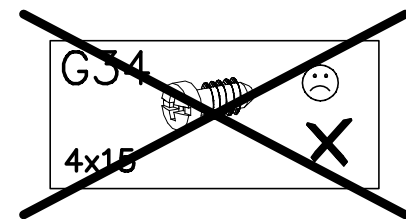
H13



G10



6,3x13





G34





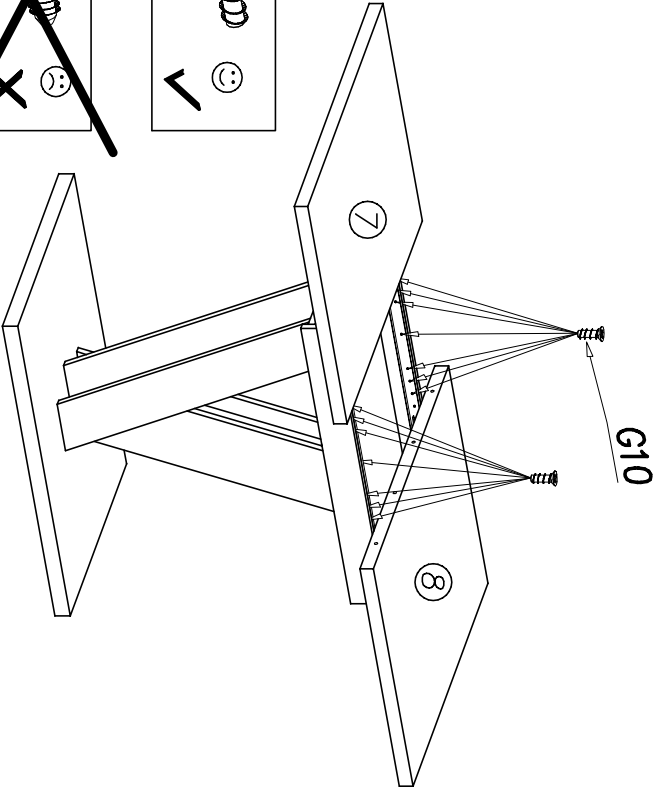
4x15



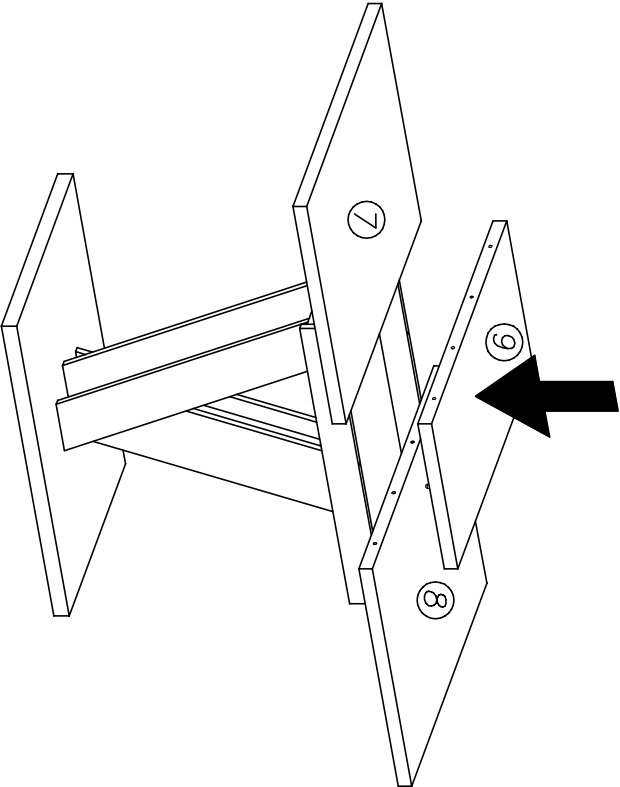
VIII

G10   ✓

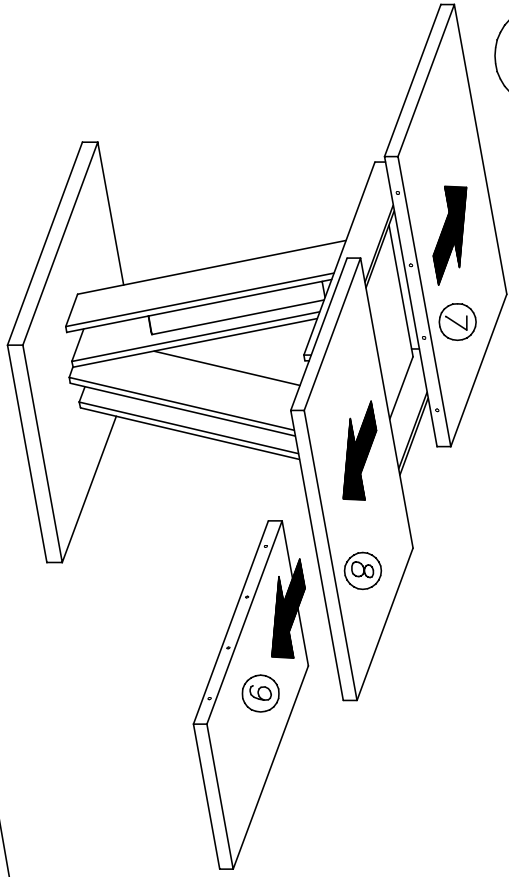
~~G54   X~~
~~4x12~~



X



IX



XI

