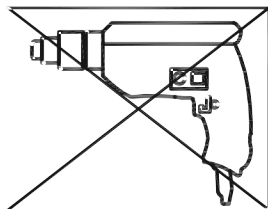


Model:PHO_0WRKOD7F /PHO_0WRKXVQI

YOU NEED

1. Tools required

Electronic tool should not be used to assemble this product.

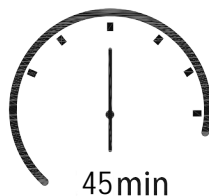


2. One person is needed



No hammer

3. Installation takes 45 minutes



45 min

4. Please read assembly instruction carefully before installation.

5. Please do not use extra force or a hammer during assembly. If you have any questions, contact our customer service first.

Tips!



1. Check all the components & screws are intact before assembling the product.
2. If you notice any pieces are missing or damaged please do not assemble and contact us immediately .
3. Please send an email with you order number and issues, we will respond within 24 hours. Customer Service Team: support@idealhouse.vip

IMPORTANT SAFETY INFORMATION

Please carefully read the instructions and caution warnings below before assembling the product. Following this guide will ensure that you install, use and maintain the product properly.

- Please keep this installation and user manual/instructions for future reference in case you need to assemble the product.
- Do not assemble if you notice serious damage such as cracks or bends.
- During installation, please use work gloves for hand safety.
- Please assemble the unit on carpeted floor or the flat cardboard box to avoid scratching the surface or your floor while assembling on the floor.
- To assemble, please use the complimentary installation tools (Allen Wrench). Pay more attention to the direction of components at each steps.
- It is recommended that two people work together to assemble the product.
- Please do not tighten the screws up too much, just to 80% before you finish to make the installation go on successfully.

RETURN POLICY

We believe you will absolutely love your new product. But for some reason you want to return your item, please contact us within 30 days after receiving and ensure that the product which you want to return is in a good condition in the original box with all original certificates of purchase, manuals and accessories attached.

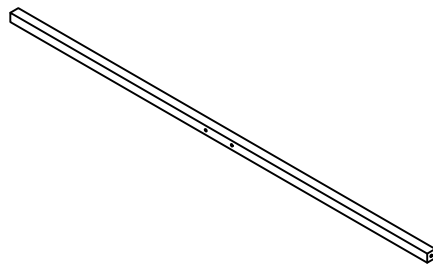
HOW TO MAINTAIN YOUR PRODUCT:

- Check the screws of the product are not loose from regular use.
- Do not use sharp instruments, rubbing alcohol, corrosive chemicals, or abrasive cleaners to clean the product.
- Do not keep the product in a damp environment for a long period of time. The damp environment may cause the iron components to rust and the plates to bulge and crack.

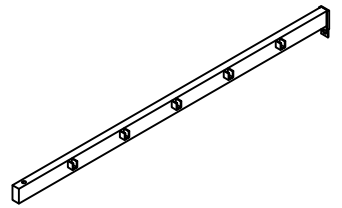
Part list



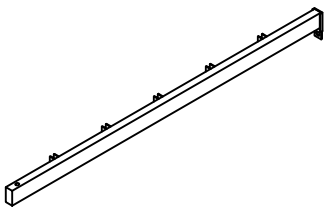
① X2



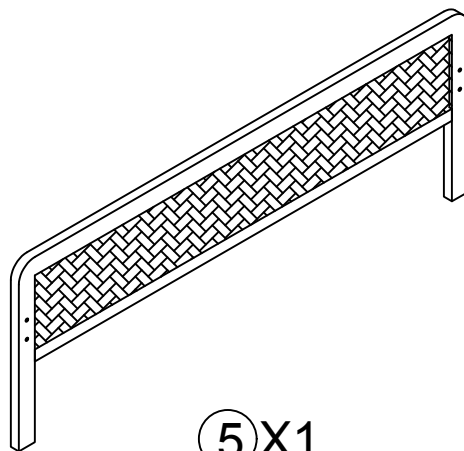
② X1



③ X2



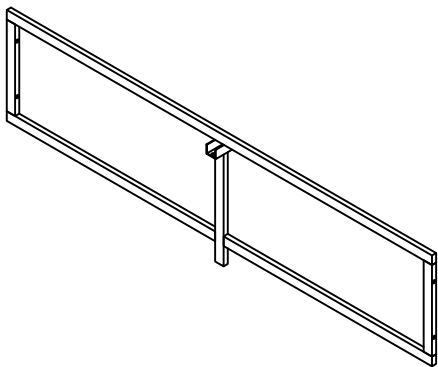
④ X2



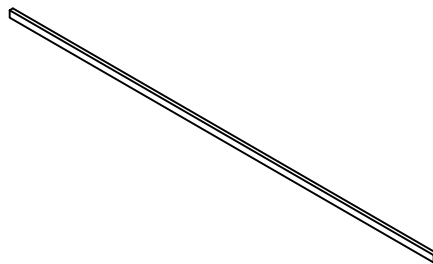
⑤ X1



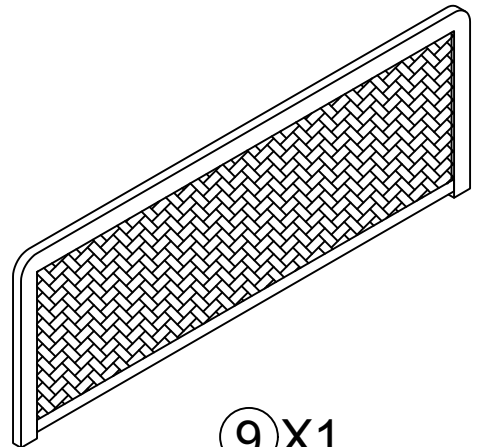
⑥ X2



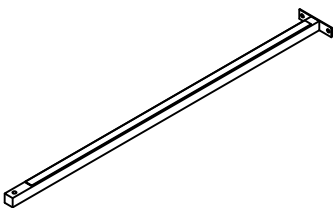
⑦ X1



⑧ X10

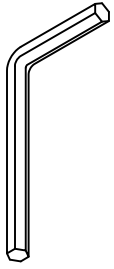


⑨ X1

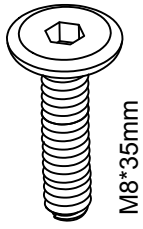


⑩ X2

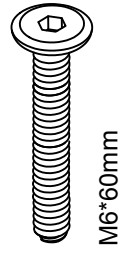
Hardware list



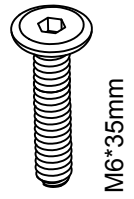
Ⓐ X1



Ⓑ X4



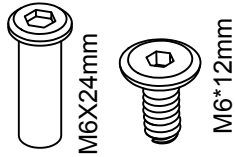
Ⓒ X2



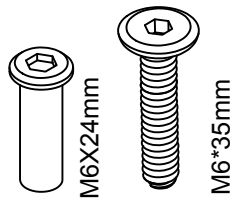
Ⓓ X4



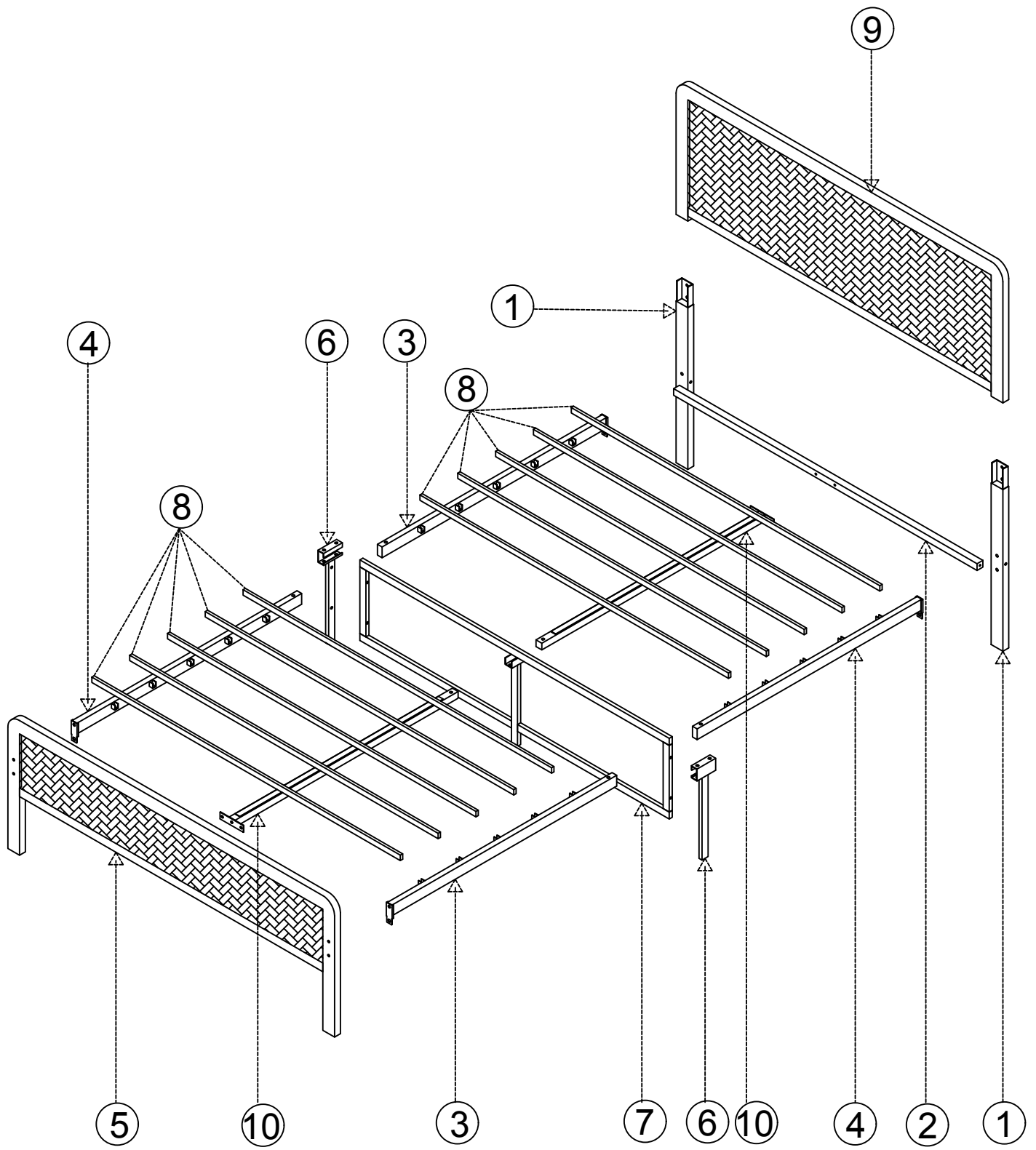
Ⓔ X8



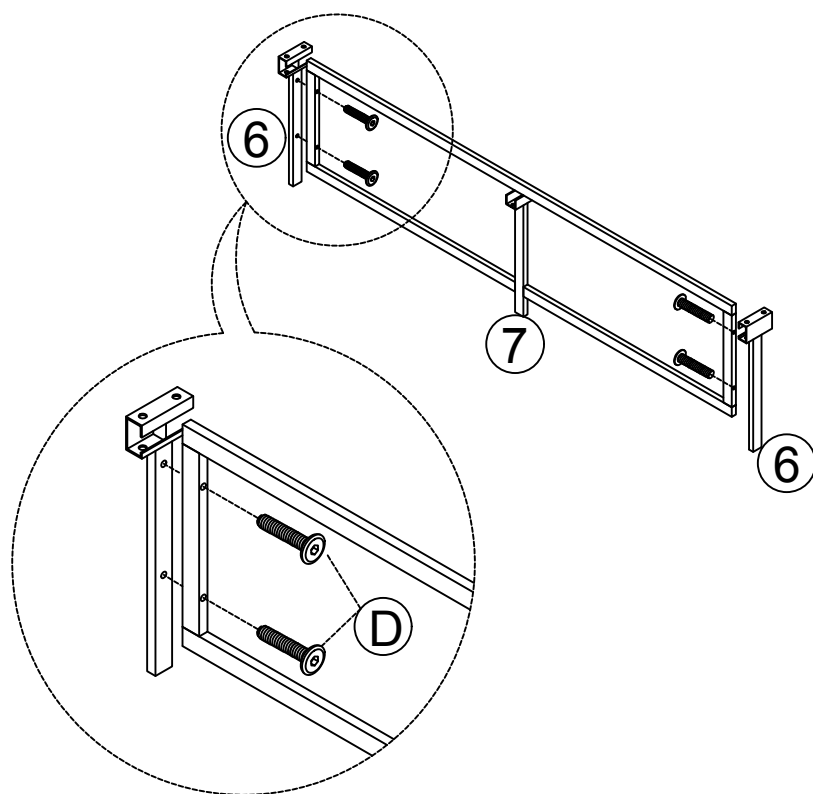
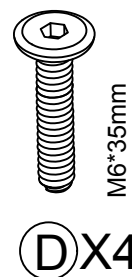
Ⓕ X6



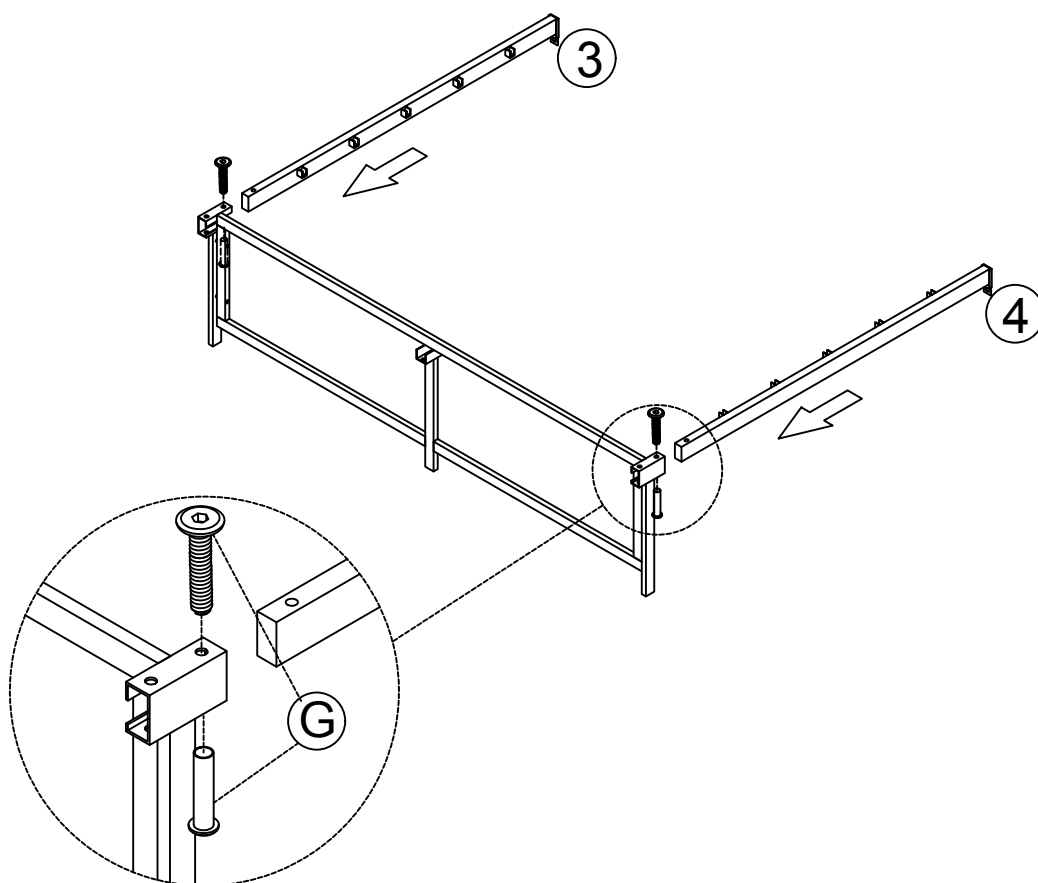
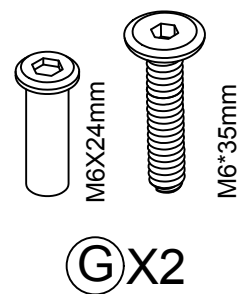
Ⓖ X4



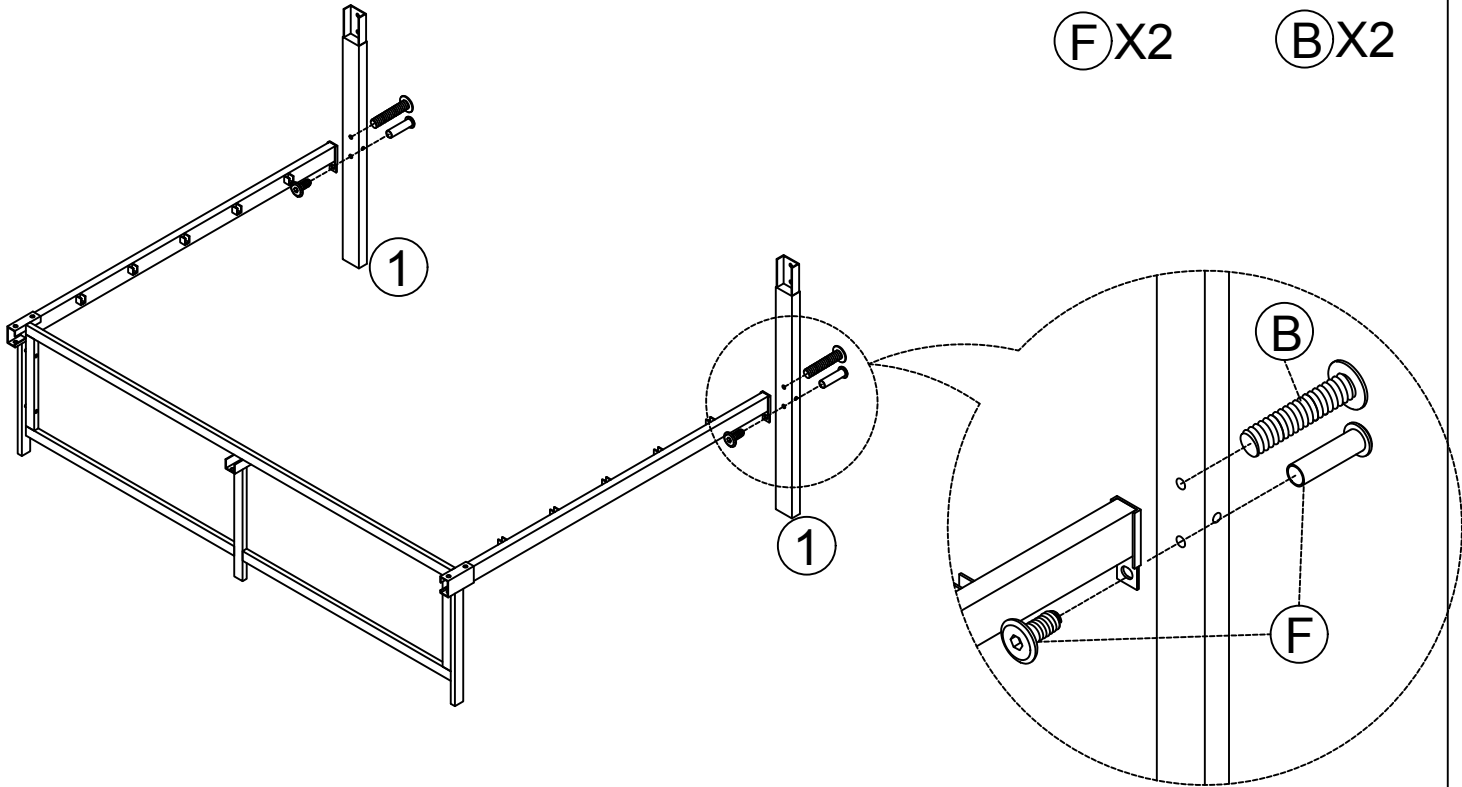
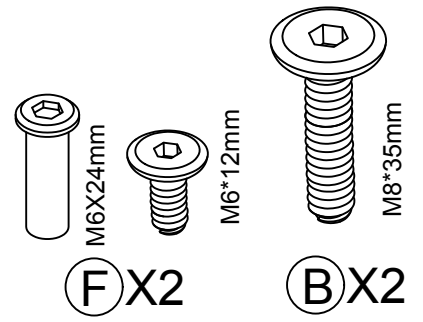
1



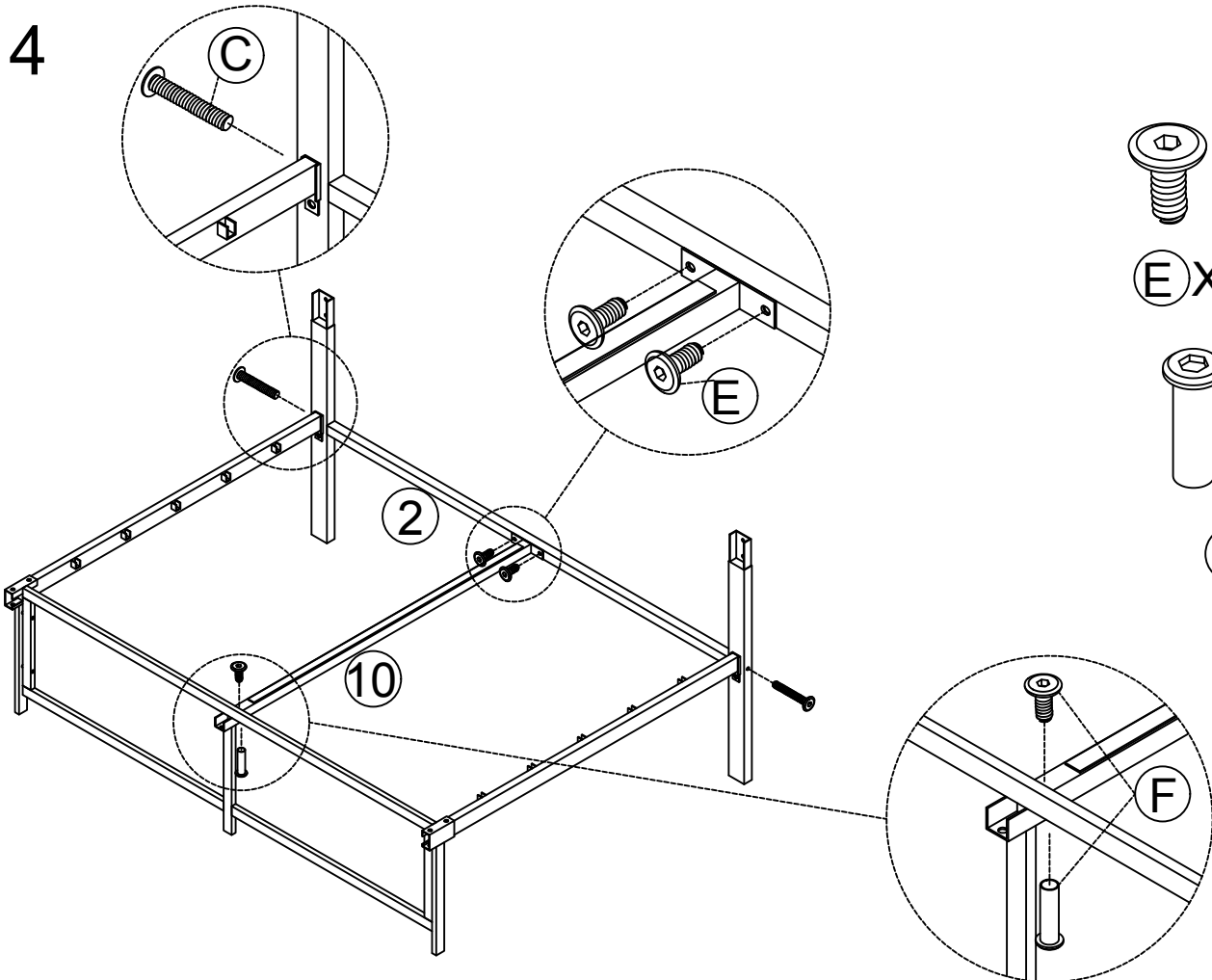
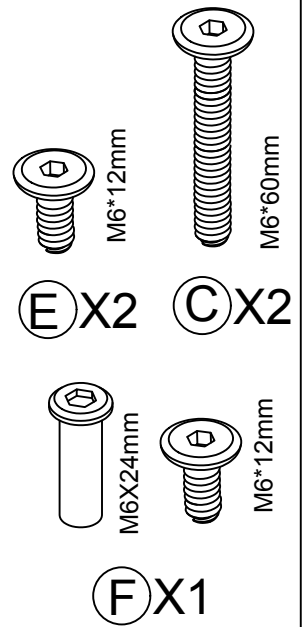
2



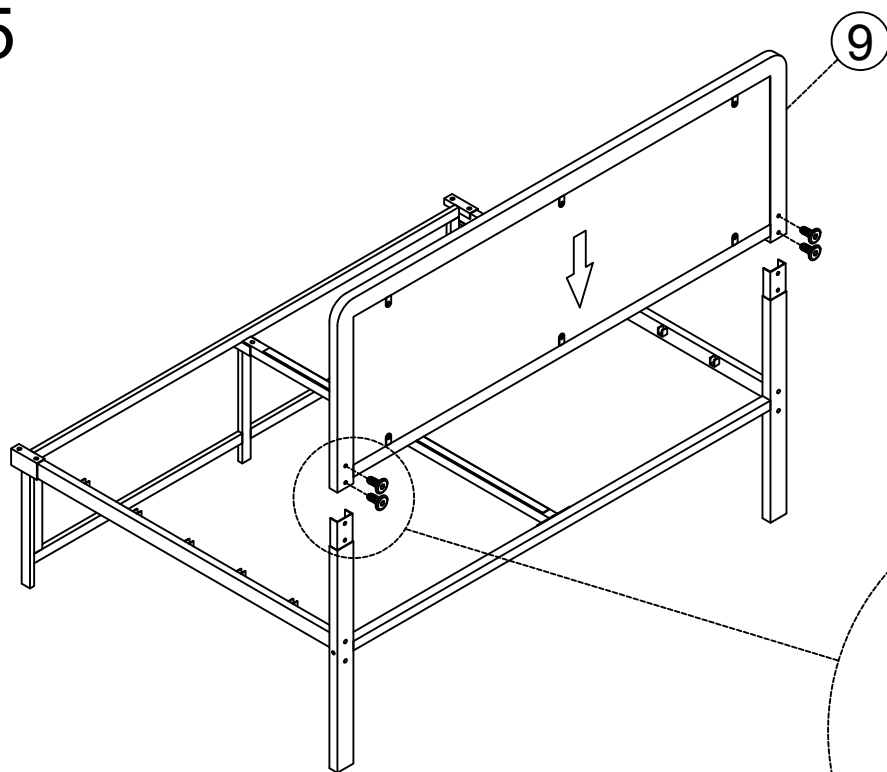
3



4

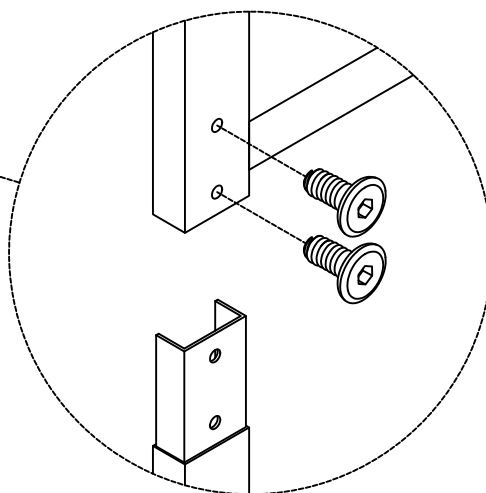


5

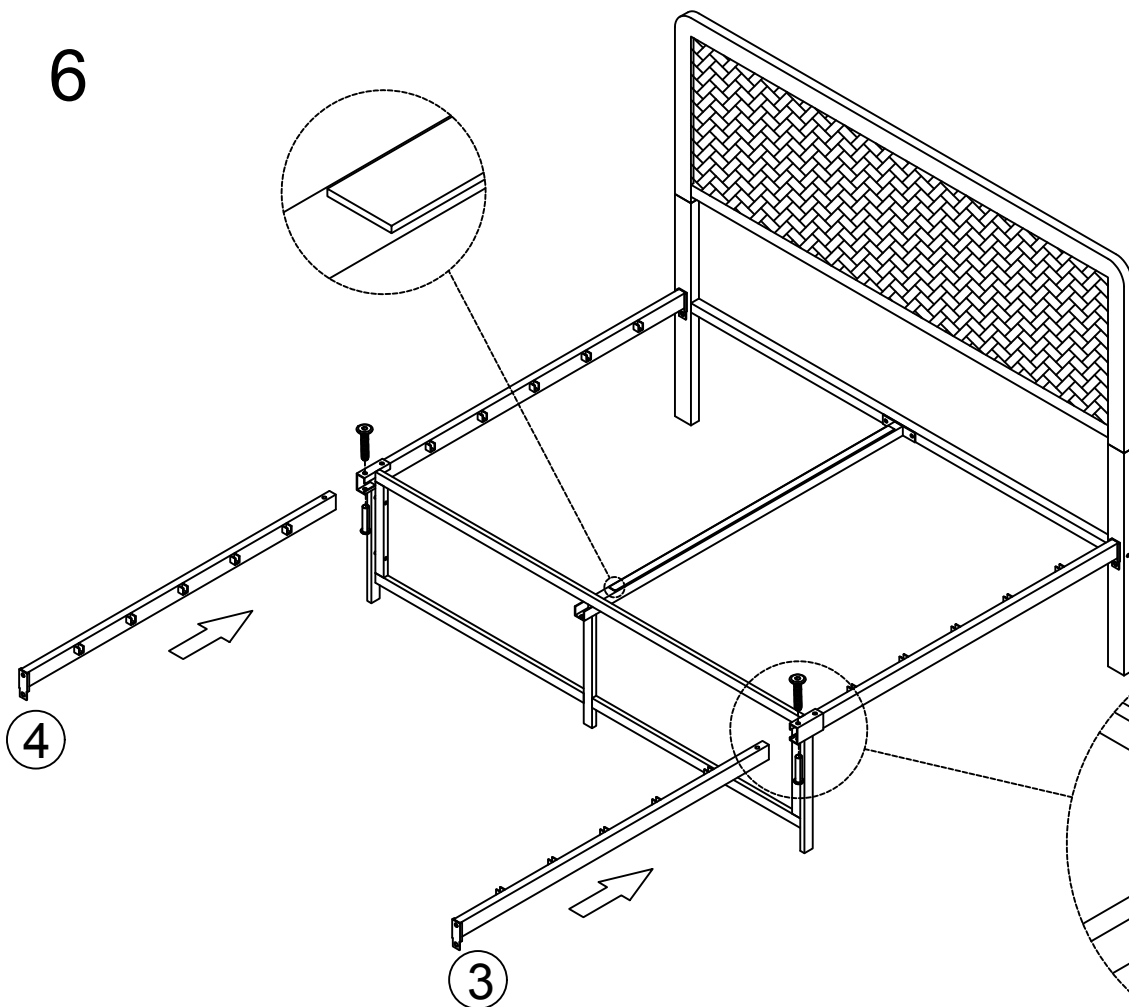


M6*12mm

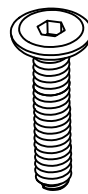
(E) X4



6

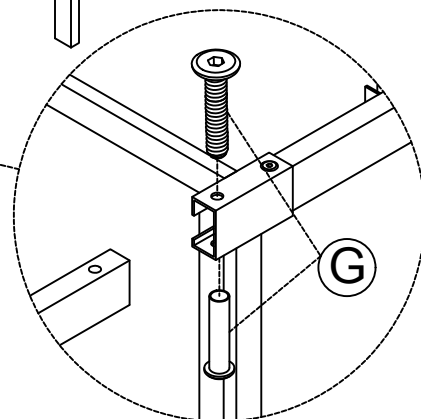


M6X24mm

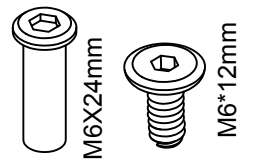
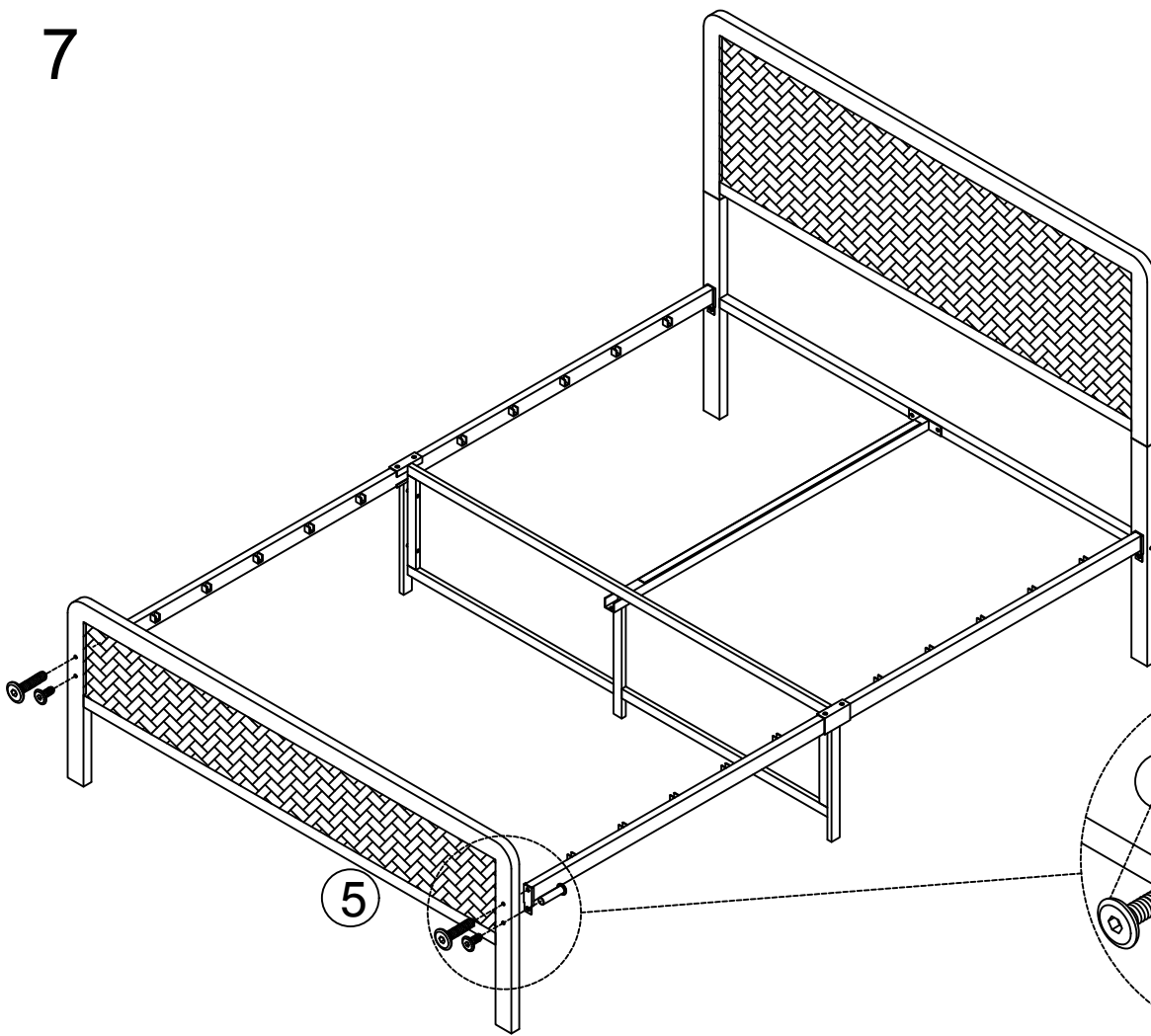


M6*35mm

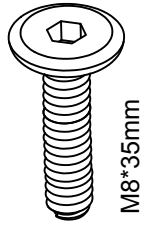
(G) X2



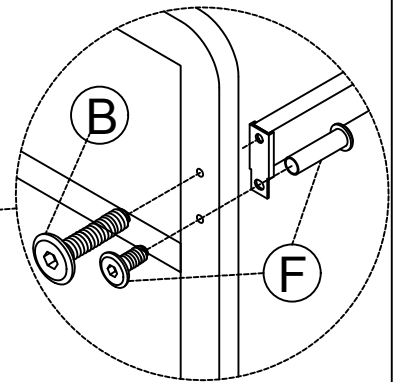
7



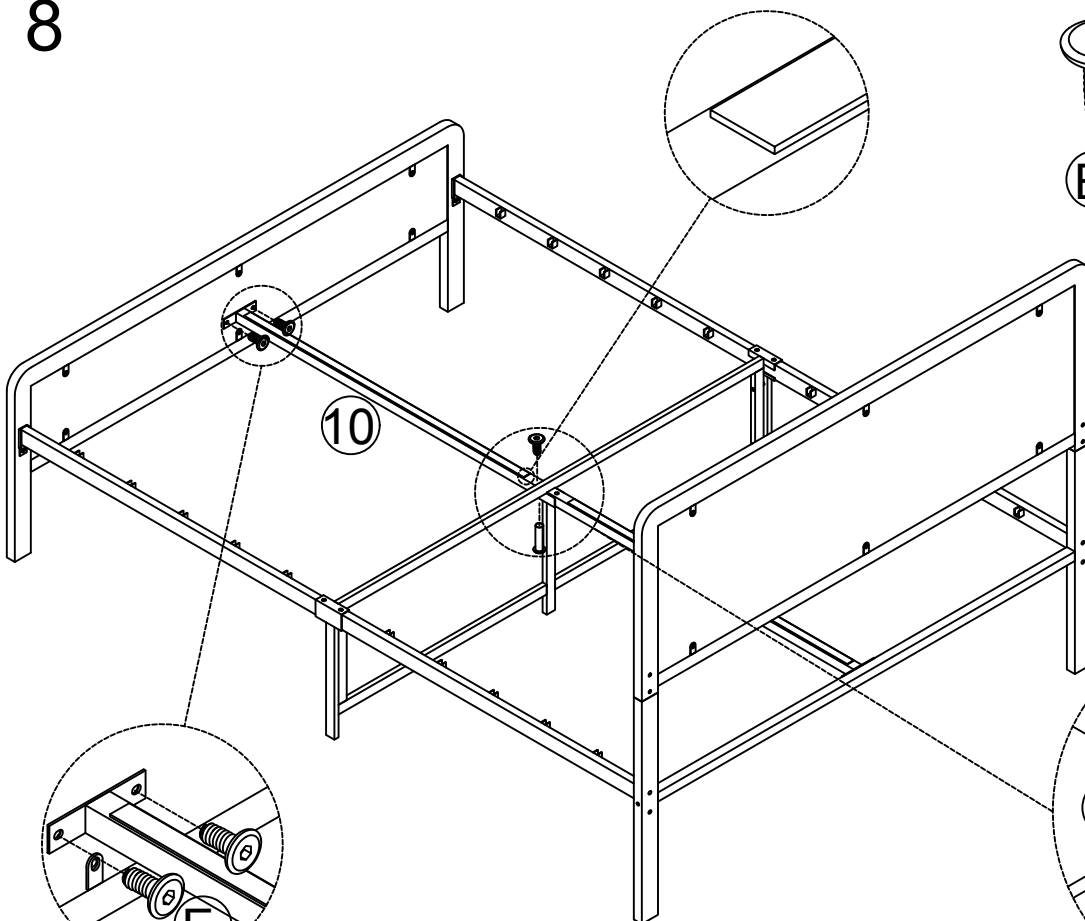
(F) X2



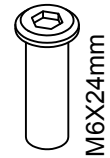
(B) X2



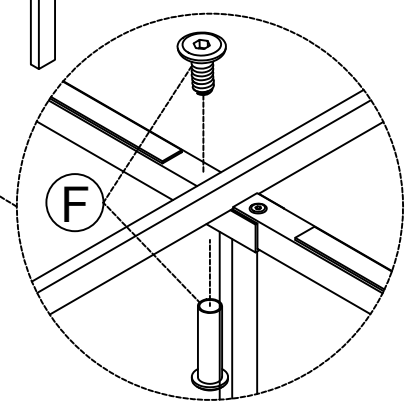
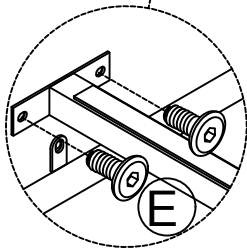
8



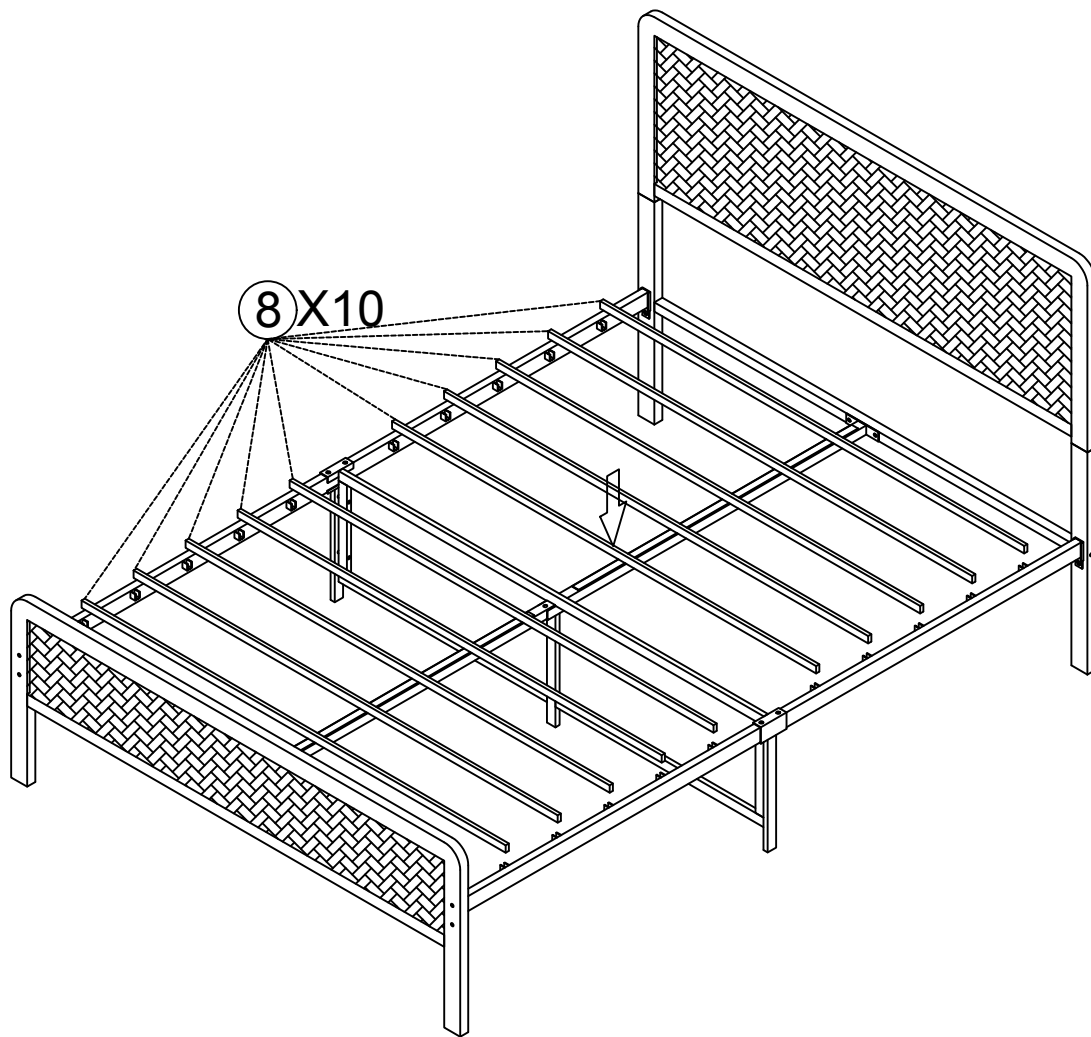
(E) X2



(F) X1



9



CONTACT US!

Dear customer, thank you for purchasing Idealhouse products! We are proud to present our customers with high quality products!



If you have any product quality or use problems, please contact our customer service by email, we will ensure your satisfaction.



If you are satisfied with our products, please share your amazing experience with us and other customers! It would be our honor to hear from you!



Customer service team: support@idealhouse.vip