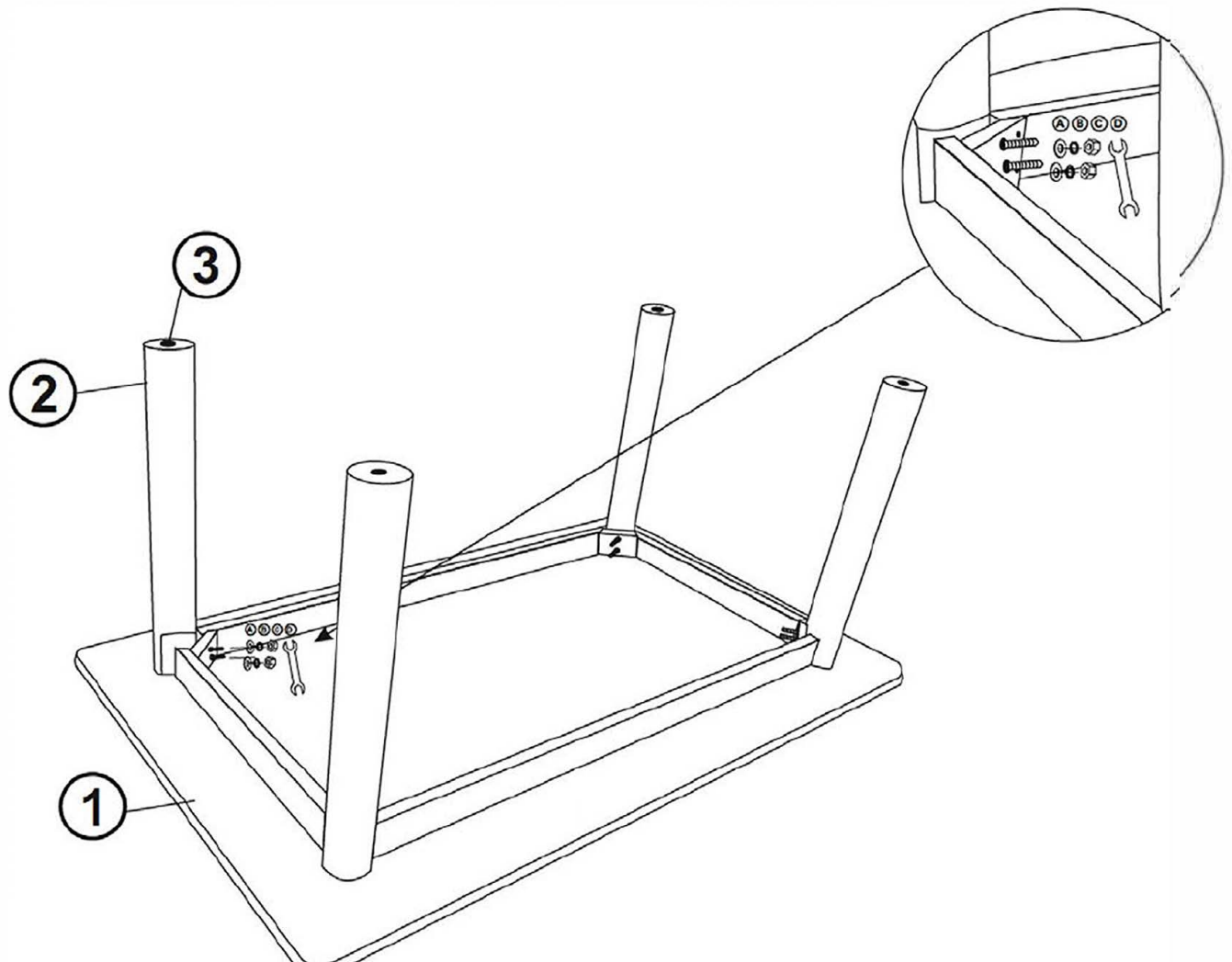


ASSEMBLY INSTRUCTIONS & PARTS IDENTIFICATION BODHI DINING TABLE

Thank you for purchasing this quality product. Be sure to check all packing material carefully for small parts that may have come loose inside the carton during shipment

KeyParts			
No	Code	Qty	Description
1	A	1 pc	Table Top
2	B	4 pcs	Legs
3	C	4 pcs	Floor Glide

Hardware kit			
No	Description		Qty
A		Flat washer	8 pcs
B		Lockwasher	8 pcs
C		Nut 8x15mm	8 pcs
D		Wrench 15x16mm	1 pcs



- Carefully lay the table top upside down on a flat, smooth surface to avoid scratches.
- Attach each leg to each corner of the table as shown. Insert a flat washer, lock washer and nut onto each leg bolt.
- Once all the feet are in place, fully tighten the nut by turning clockwise with the wrench provided until it is secure.