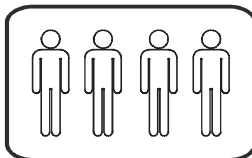
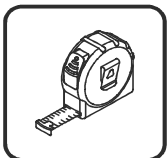
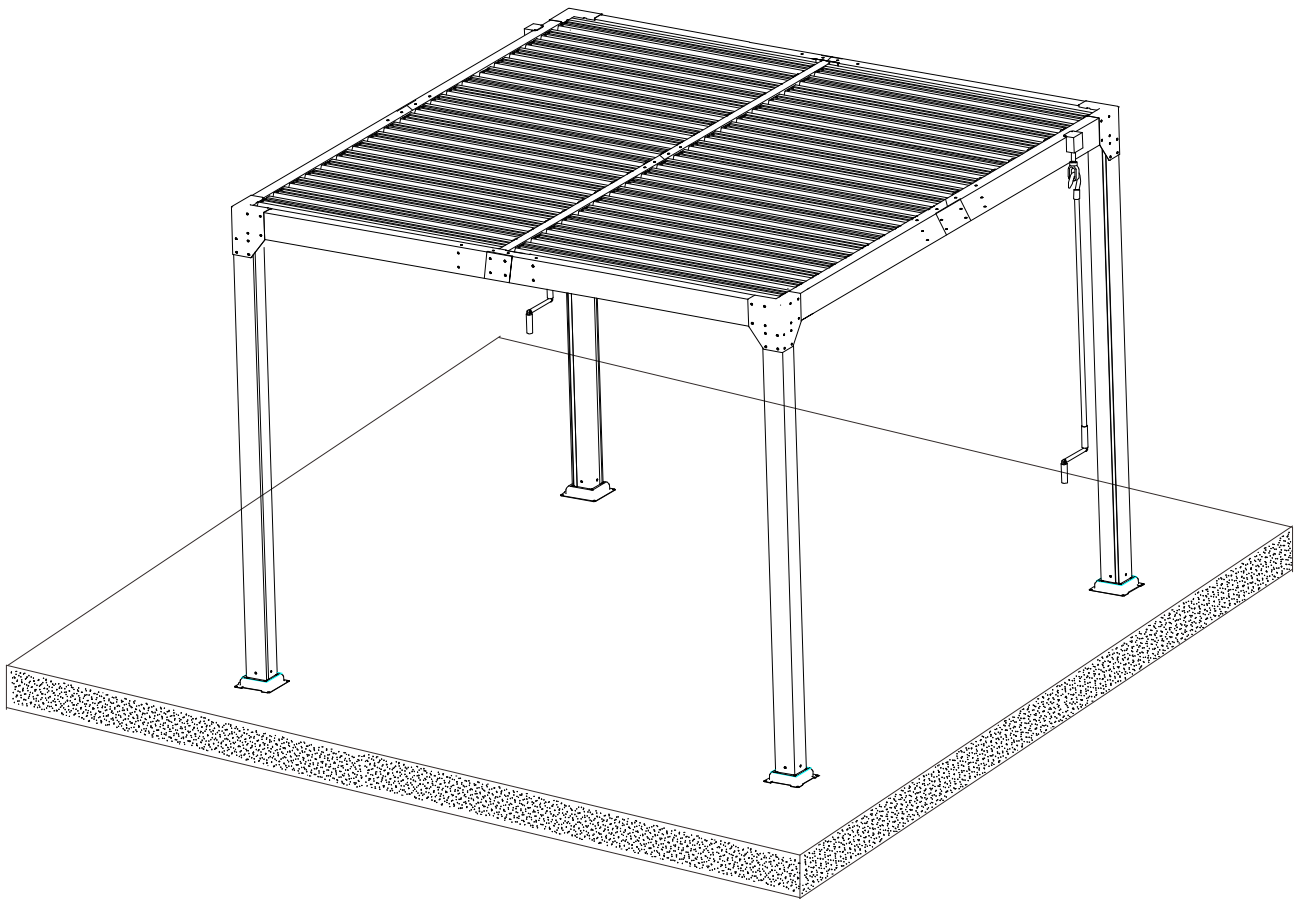


Assembly & Instruction Manual

SKU:800-207

Louver Pergola

Installation Guide



Version20230315

Save this manual for future reference

INTRODUCTION

Thank you for purchasing Aoodor's Grills gazebo! We hope you will find joy in our product for many years to come.

To ensure your personal safety during installation and to get the most out of your investment, please read this entire manual before beginning the installation process. If you feel that this process is too difficult to do on your own, we advise that you seek assistance from a local building or home improvement contractor.



WARNING Improper installation and operation of your gazebo can result in severe personal injury as well as product failure not covered by warranty. Please follow all instructions carefully or contact technical support for assistance.

We believe that installation can be a simple, streamlined process if you follow the instructions in this manual. Please contact our customer support line for help any step of the way. If you need assistance with assembly, have missing or defective parts, or any other issues, please email us at customerservice@aoodor.com

SAFETY INFORMATION

Please read and understand this entire manual before attempting.

Four people are need for assembly.

Estimated assembly time:2-3hours.

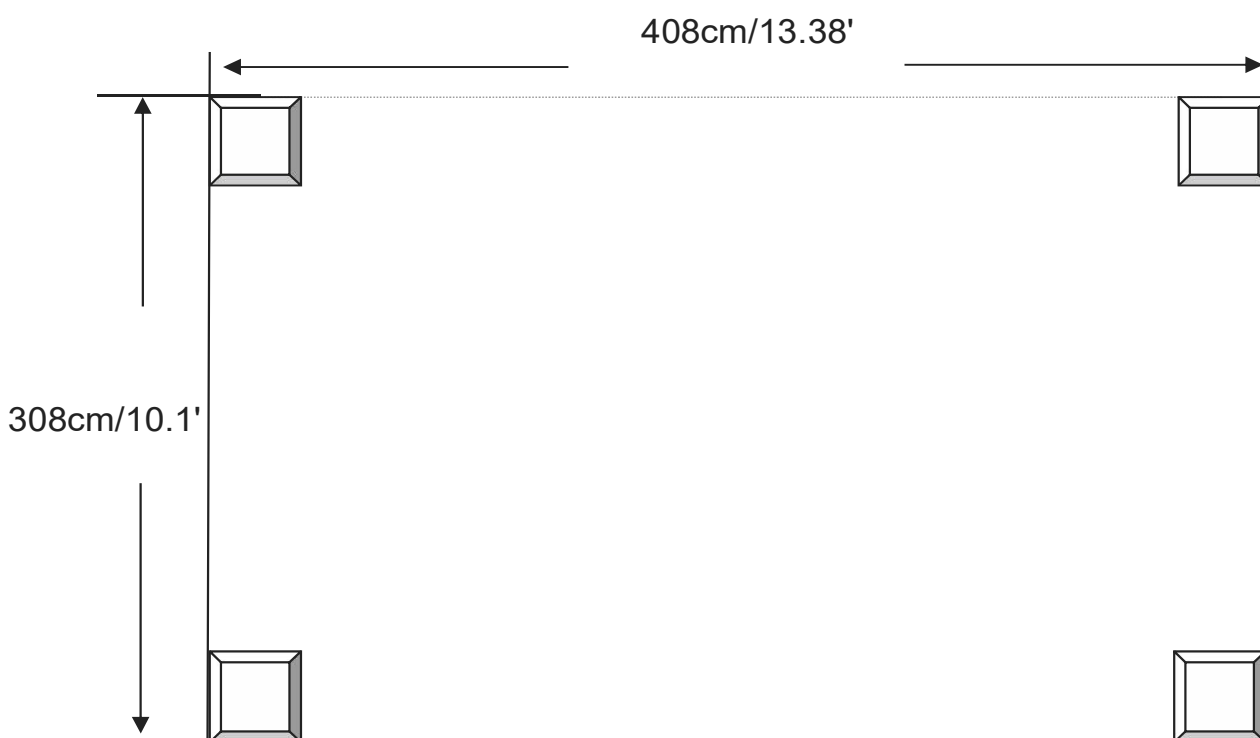
PREPARTION

Before beginning assembly of product, make sure all parts are present. Compare parts with package contents list and hardware contents list. If any part is missing or damaged, do not attempt to assemble the product.

Product is NOT INTENDED for the following:

- A safety barrier to prevent unsupervised access to pools, hot tubs, spas or ponds.
- As load bearing support for a building, structure, heavy objects or swings.
- Used in structures that trap wind, rain or snow that would create extra load on the product.

10x13' Louvered Pergola



IMPORTANT SAFETY NOTICE!

Product is NOT INTENDED for the following:

- A safety barrier to prevent unsupervised access to pools, hot tubs, spas or ponds.
- As load bearing support for a building, structure, heavy objects or swings.
- Used in structures that trap wind, rain or snow that would create extra load on the product.

Accumulated snow must be removed from roof.

DO NOT climb or walk on roof for any reason.

Permanent structures may require a building permit. As the purchaser and or installer of this product you are advised to consult local planning, zoning and building inspection departments for guidance on applicable building codes and/or zoning requirements.

Wood is NOT flame retardant and will burn. Grills, fire pits and chimineas are a fire hazard if placed too close to structure. Consult user's manual of the grill, fire pit or chiminea for safe distances from combustible materials.

Wear gloves to avoid injury from possible sharp edges of individual elements before assembly.

During installation, follow all safety warnings provided with your tools and use Safety glasses. Some structures may require two or more people to install safely.

Check for underground utilities before digging or driving stakes into the ground!

It is important during assembly to closely follow the instructions, complete the assembly on a solid level surface and that you follow the instruction to square up, level and anchor the structure, this will reduce the gap at wood connections during assembly.

Assembly Guides

Tools Required:

- Tape Measure
- Carpenters Level
- Standard or Cordless Drill
- 6' Step Ladder
- 8' Step Ladder
- Safety Glasses
- Adult Helper
- Safety Gloves
- Hard Hat

Symbols:

Throughout these instructions symbols are provided in the top, right-hand corner of the page.



- Use Help, where this is shown, 4 or 5 peoples are required to safely complete this step. To avoid injury or damage to the assembly make sure to get some help.



- Use a measuring tape to assure proper location

If you dispose of Aoodor structure: Please disassemble and dispose of your unit so that it does not create any unreasonable hazards at the time it is discarded. Be sure to follow your local waste ordinances.

Assembly Tips

Following are some helpful tips to make the assembly process smooth and efficient.

PRE-ASSEMBLIES:

(i.e. Post and Beam Assemblies, Roof Rafter Assembly, etc)

- Work on a raised, solid and flat surface such as, a table or saw horse.
- Keep all connections flush where shown in the instructions.
- When assembling the beams keep parts flat, straight and snug when connecting.

METAL PARTS:

- Roofing material may have sharp edges, wear safety gloves.
- Remove all plastic covering, on both sides of the metal panels, directly before installing each piece.
- Place roofing material on a non-abrasive surface before and after assembly as it can bend, dent and scratch easily.
- The roofing screws can easily crush the roof panels and roof edges when using a power drill. We recommend hand tightening the roofing screws so they sit snug and tight to the roofing material.

Permanent Installation Examples

Note: It is critically important you start with square, solid and level footings, concrete pad or deck to attach your Pergola Room.

We supply Post Mounts with this structure which gives you the flexibility to permanently install your structure to a pre-existing or new wood or concrete surface.

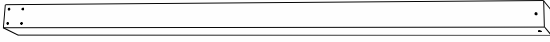
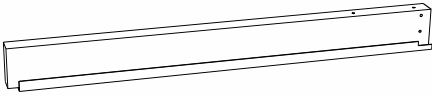

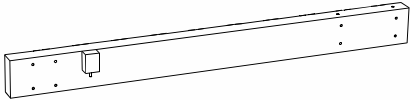
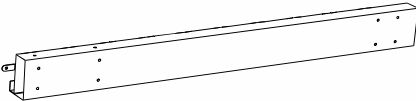
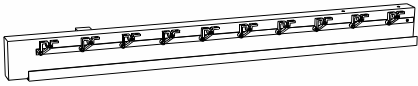
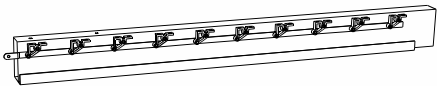
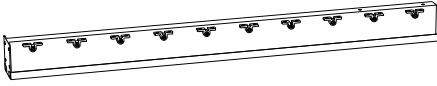
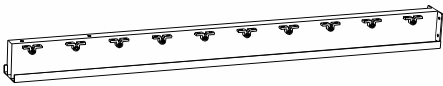


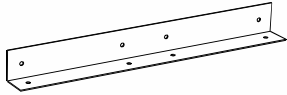
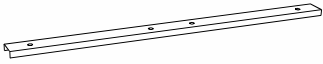
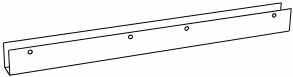
- The hardware to attach the Post Mount to the structure is included.
- The hardware to mount the structure permanently will need to be purchased separately at your local hardware store.

If you are mounting to concrete footers see below for the correct locations and placement. Please double check for possibility of any underground utilities such as gas, telephone, cable or sprinkler lines.

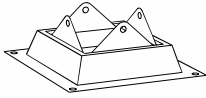
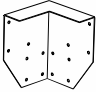
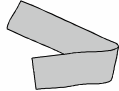


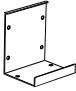

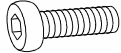
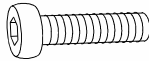
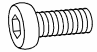
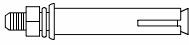
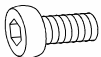

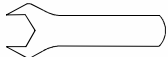
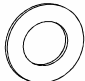
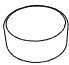
Following are some examples of how to mount the structure to wood or concrete surfaces.

Refer to your local building and city codes, ordinances, neighbourhood covenants, or height restrictions regarding this type of structure for guidance on acceptable installation requirements.

Parts Identification

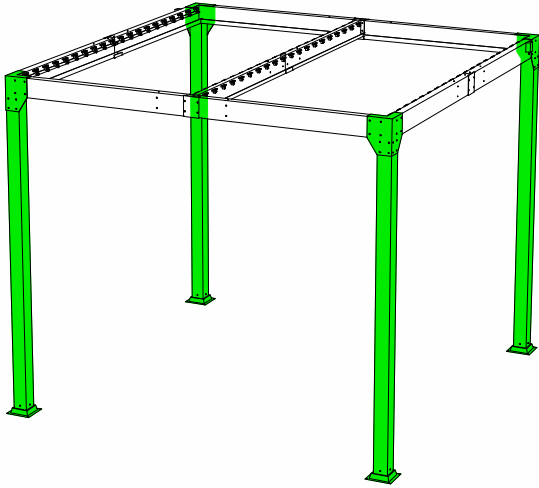
Parts	Desc	QTY	Ref No
A		4	800-207-001
B1		2	800-207-002
B2		2	800-207-003
C1		1	800-207-004
C2		1	800-207-005
D1		1	800-207-006
D2		1	800-207-007
E1		1	800-207-008
E2		1	800-207-009
F		40	800-207-010
G		2	800-207-011
H		8	800-207-012
J		1	800-207-013
K		1	800-207-014

Parts Identification

Parts	Desc	QTY	Ref No
L		4	800-207-015
M		4	800-207-016
N		5	800-207-017
O		160+5	800-207-018
P		2	800-207-019
Q		4	800-207-020
R		1	800-207-021
S	 M6x15	160+5	800-207-022
T	 M6x20	8	800-207-023
U	 M5x8	160+10	800-207-024
W	 M8x62	16	800-207-025
X	 M6x8	2	800-207-026
1,2	 Allen Wrench  Wrench	1	800-207-027
3	 M6 Washer	170+5	800-207-028
4	 M6 Bolt Cap	160+5	800-207-029

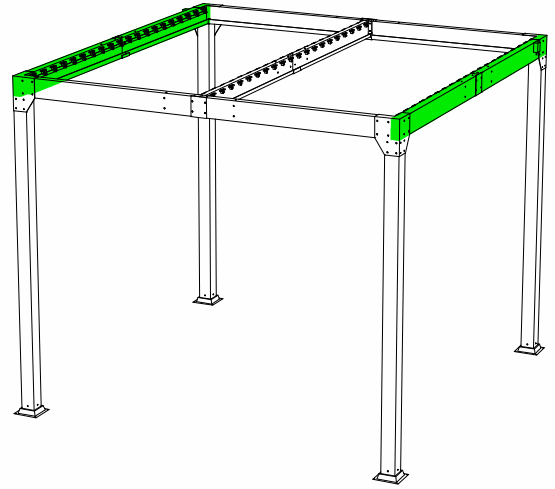
QUICK START

STEP 1-2



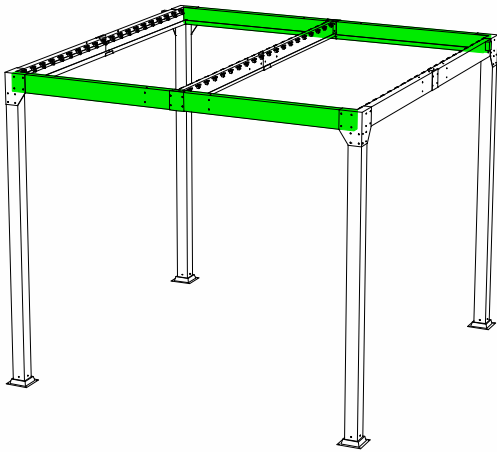
Pole

STEP 3-7



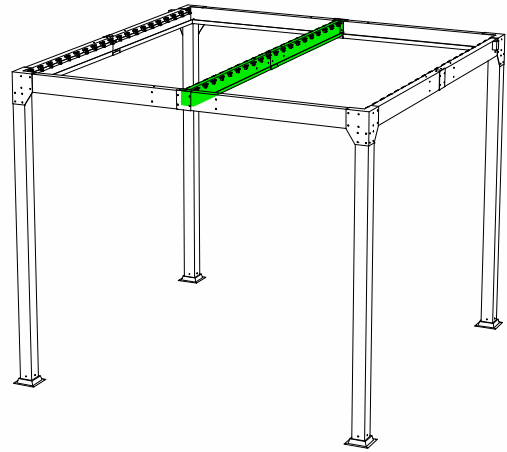
Beam With Gear box

STEP 8-10



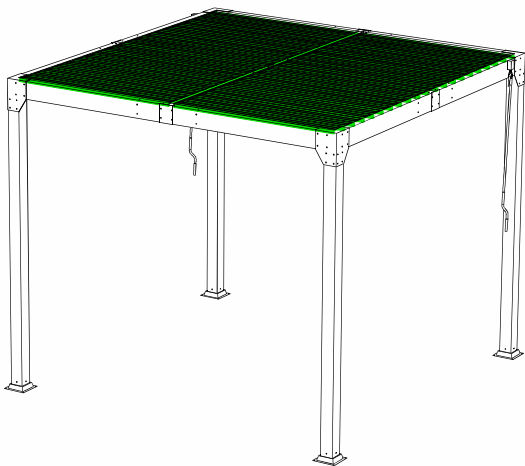
Beam

STEP 11-14



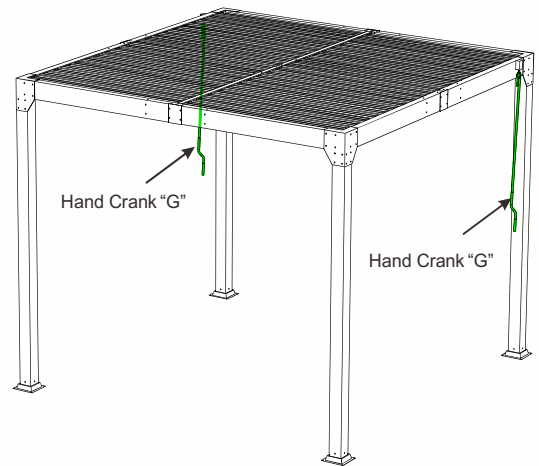
Middle Beam

STEP 15



Louver

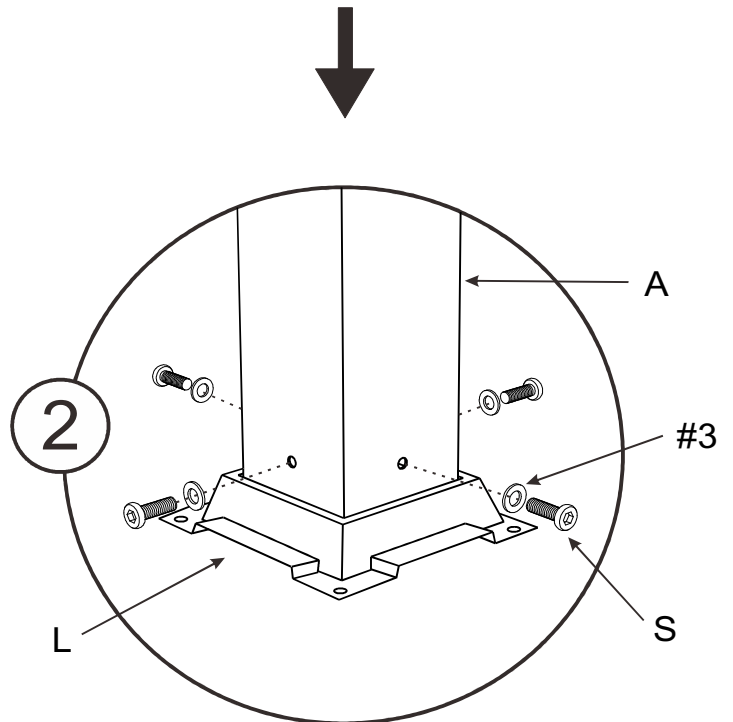
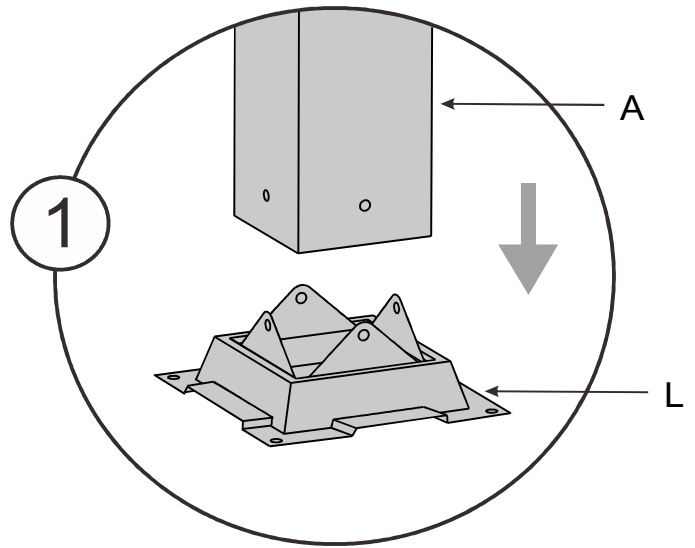
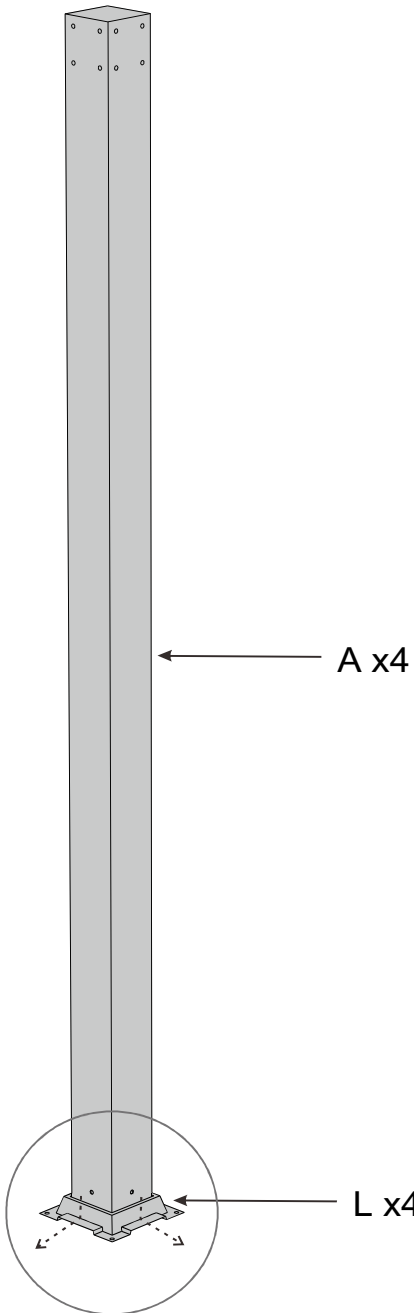
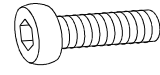
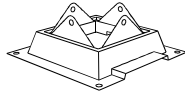
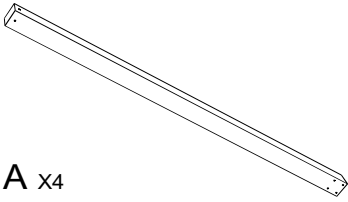
STEP 16-17



Hand Crank & Expansion Bolt

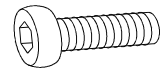
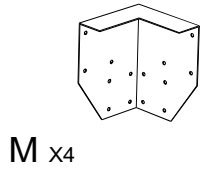
Assembly

1



Noted: Please keep the base's water gutter facing outwards so that the water flows outwards.

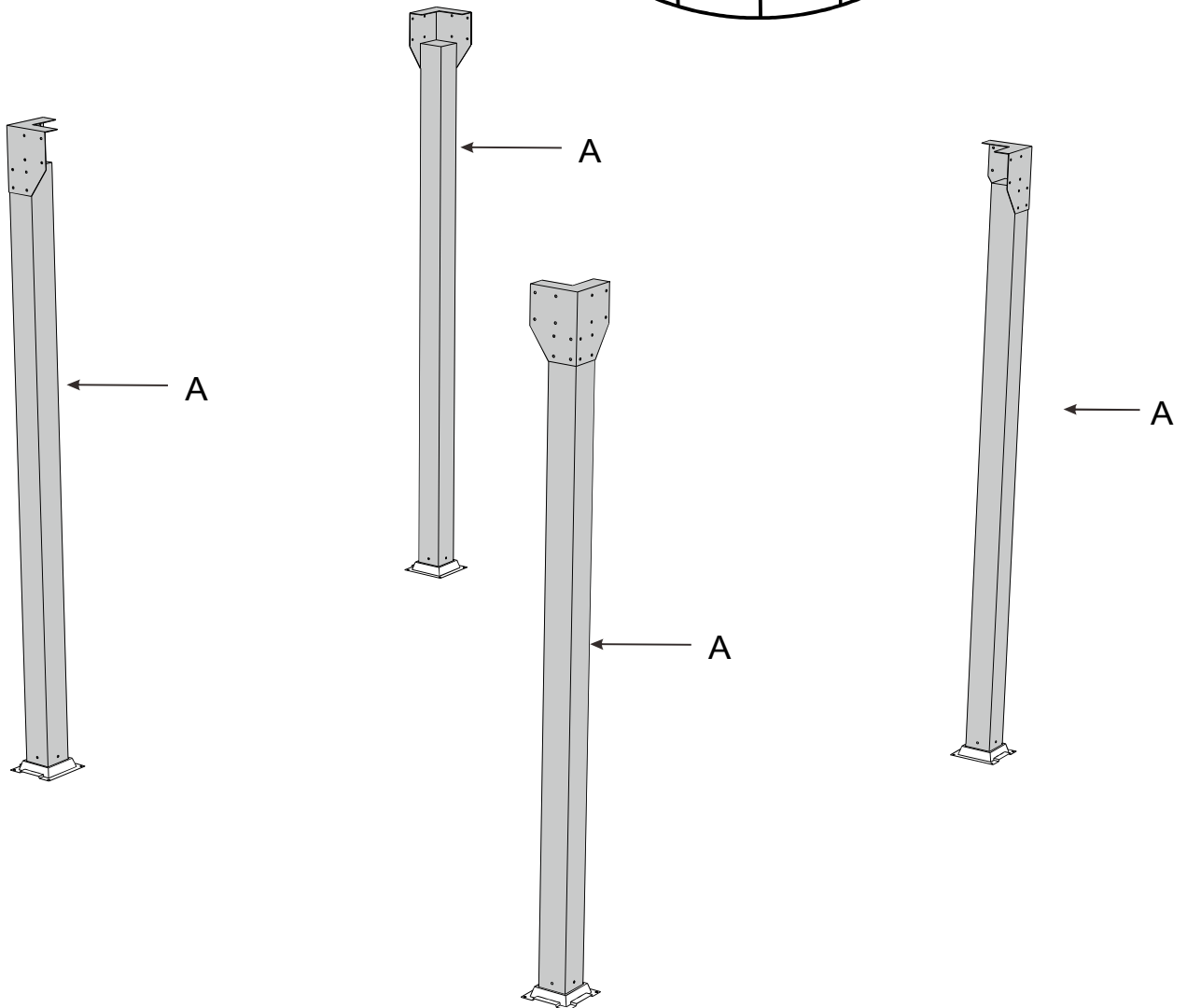
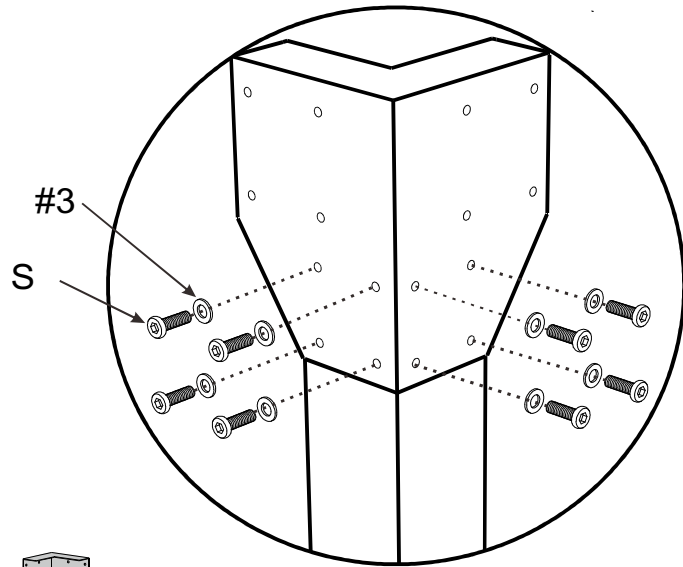
2



S x32

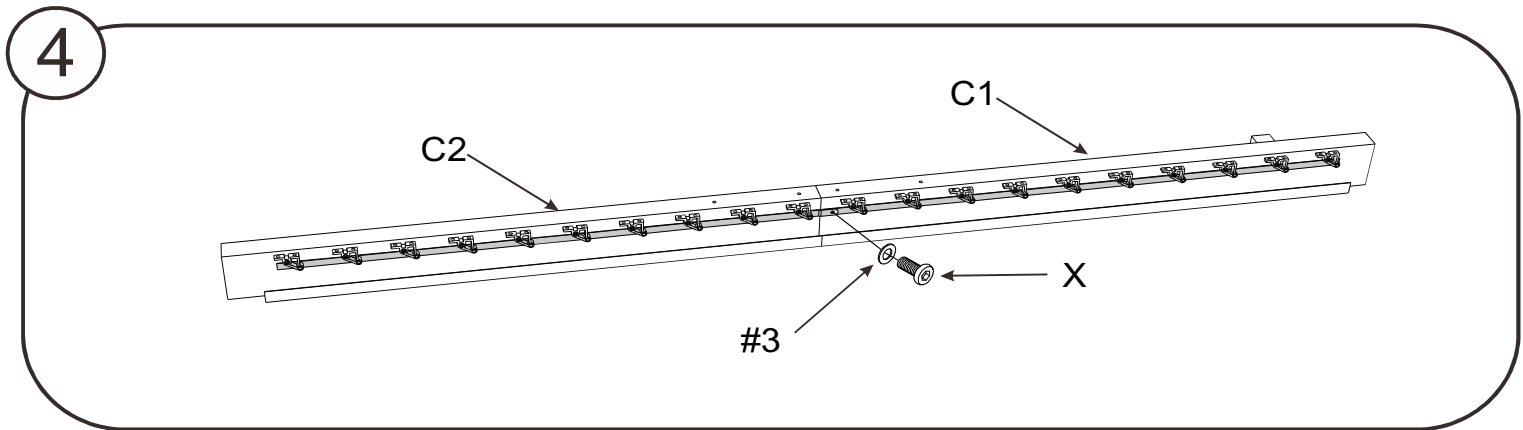
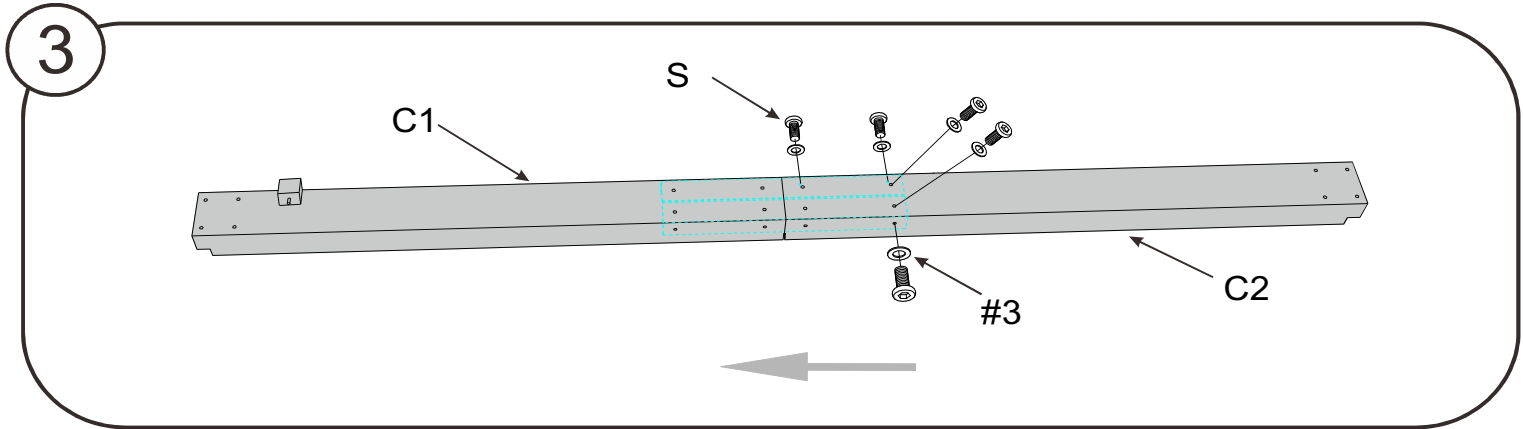
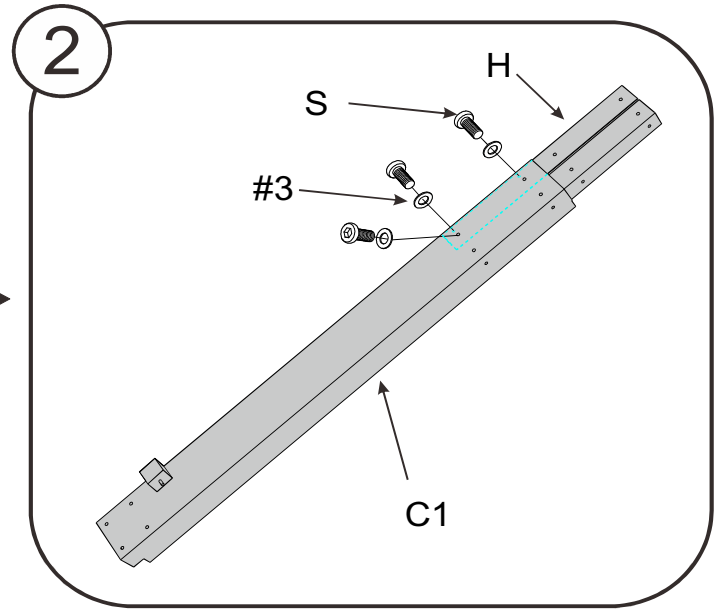
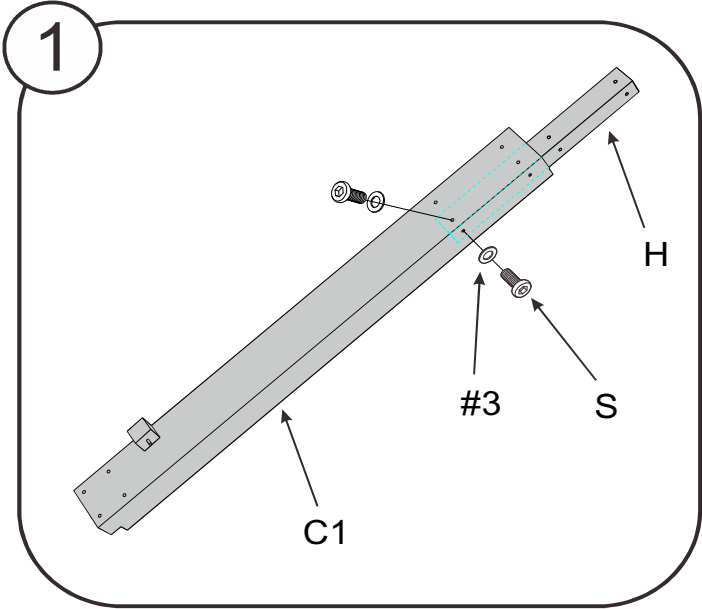
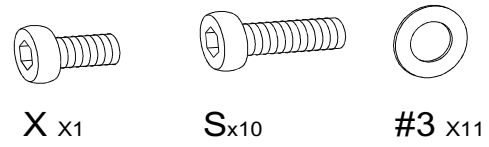
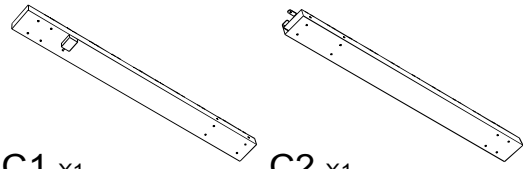


#3 x32

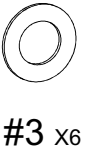
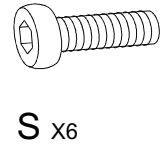
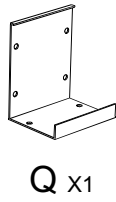
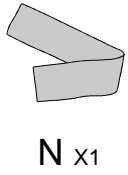


Assembly

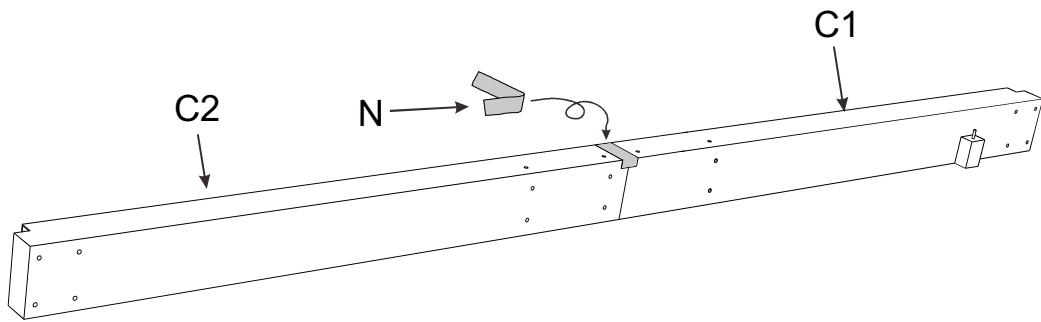
3



4



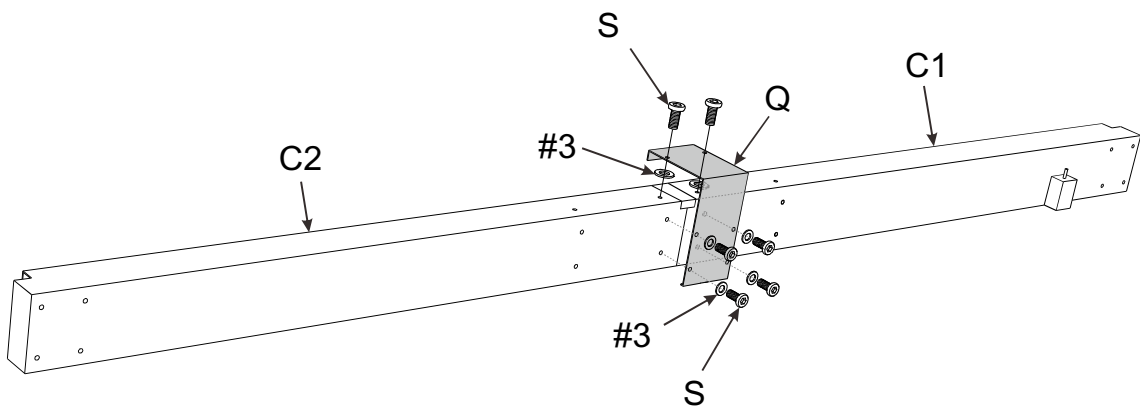
5



Attach waterproof glue N under the sink.

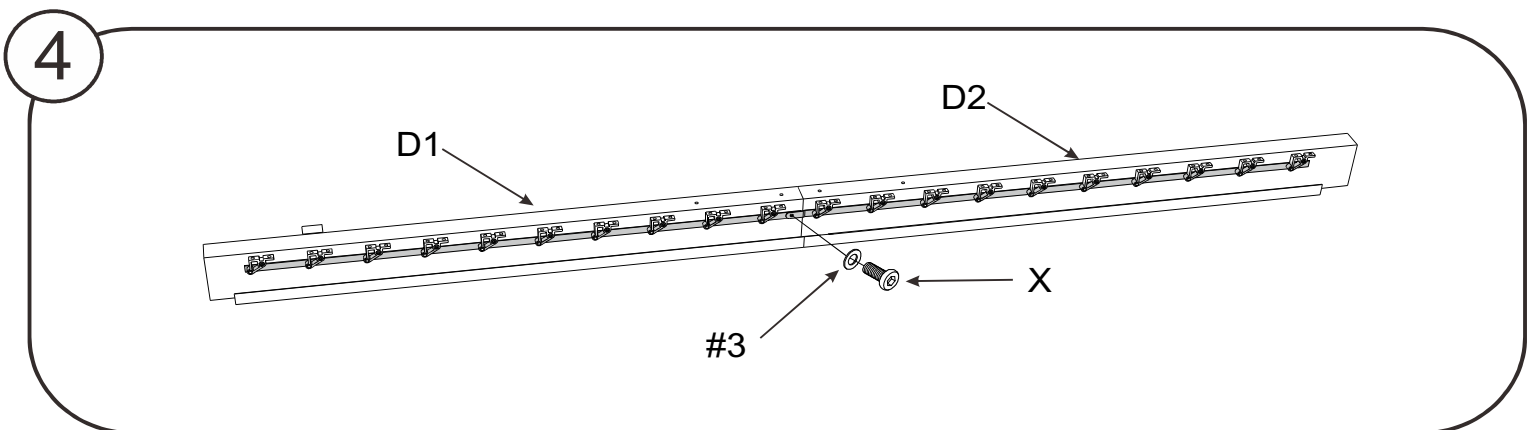
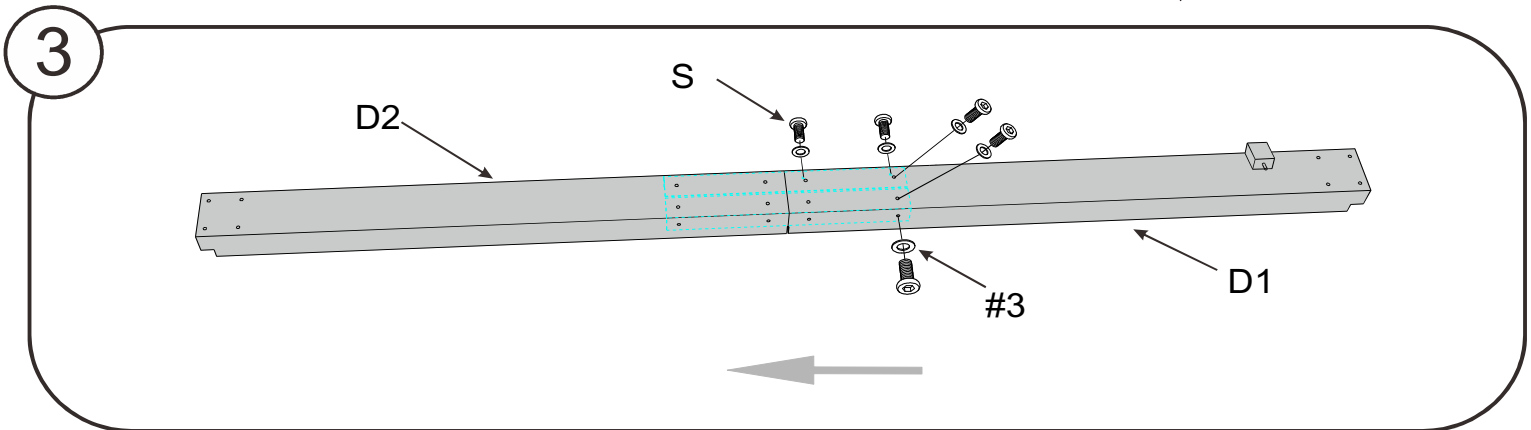
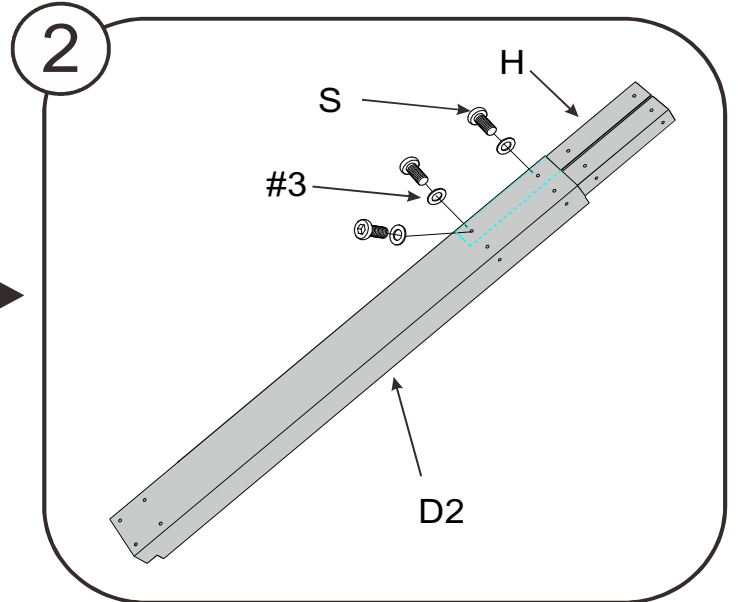
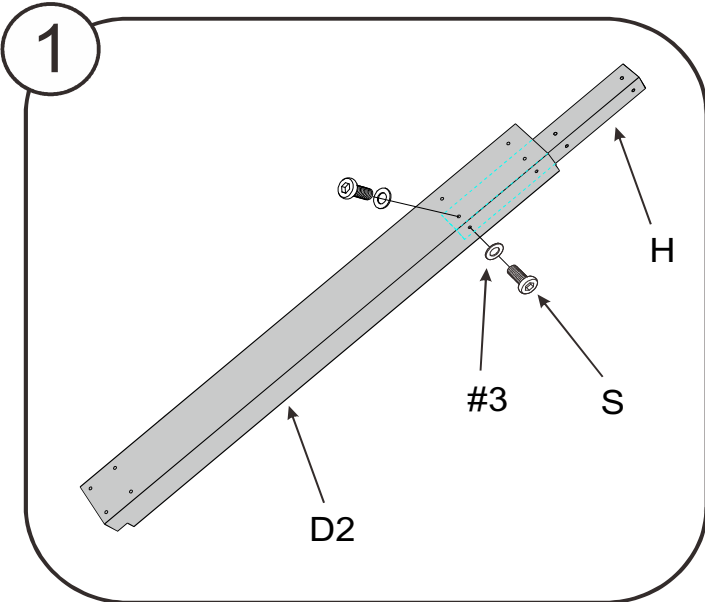
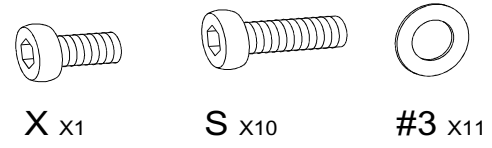
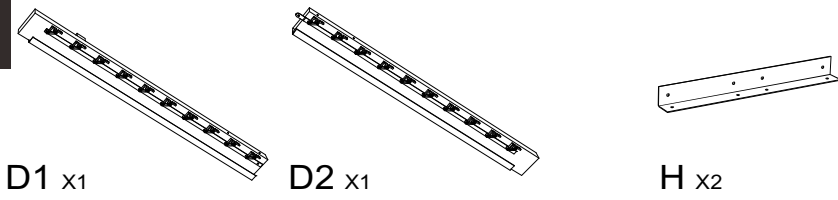


6

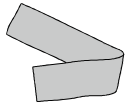


Assembly

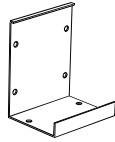
5



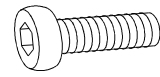
6



N x1



Q x1

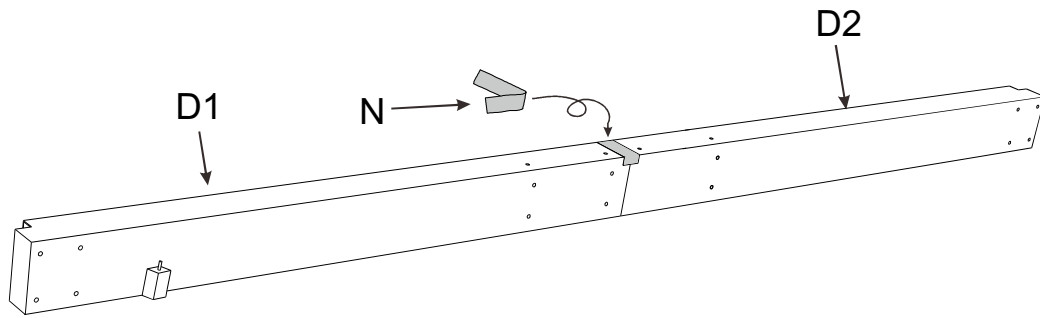


S x6



#3 x6

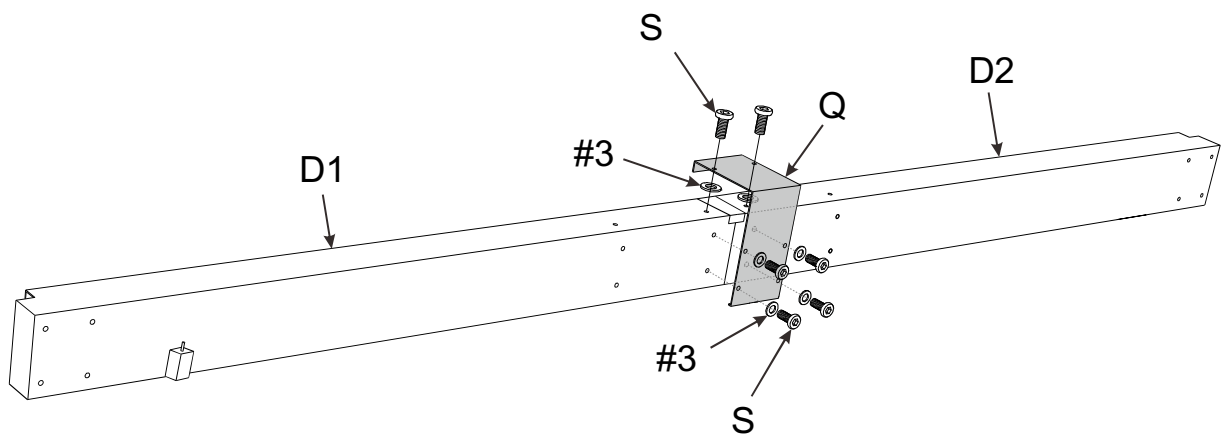
5



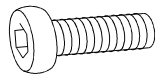
Attach waterproof glue N under the sink.



6



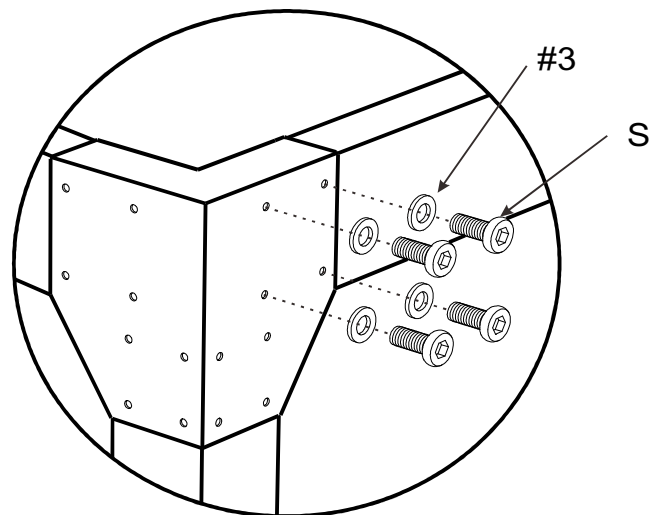
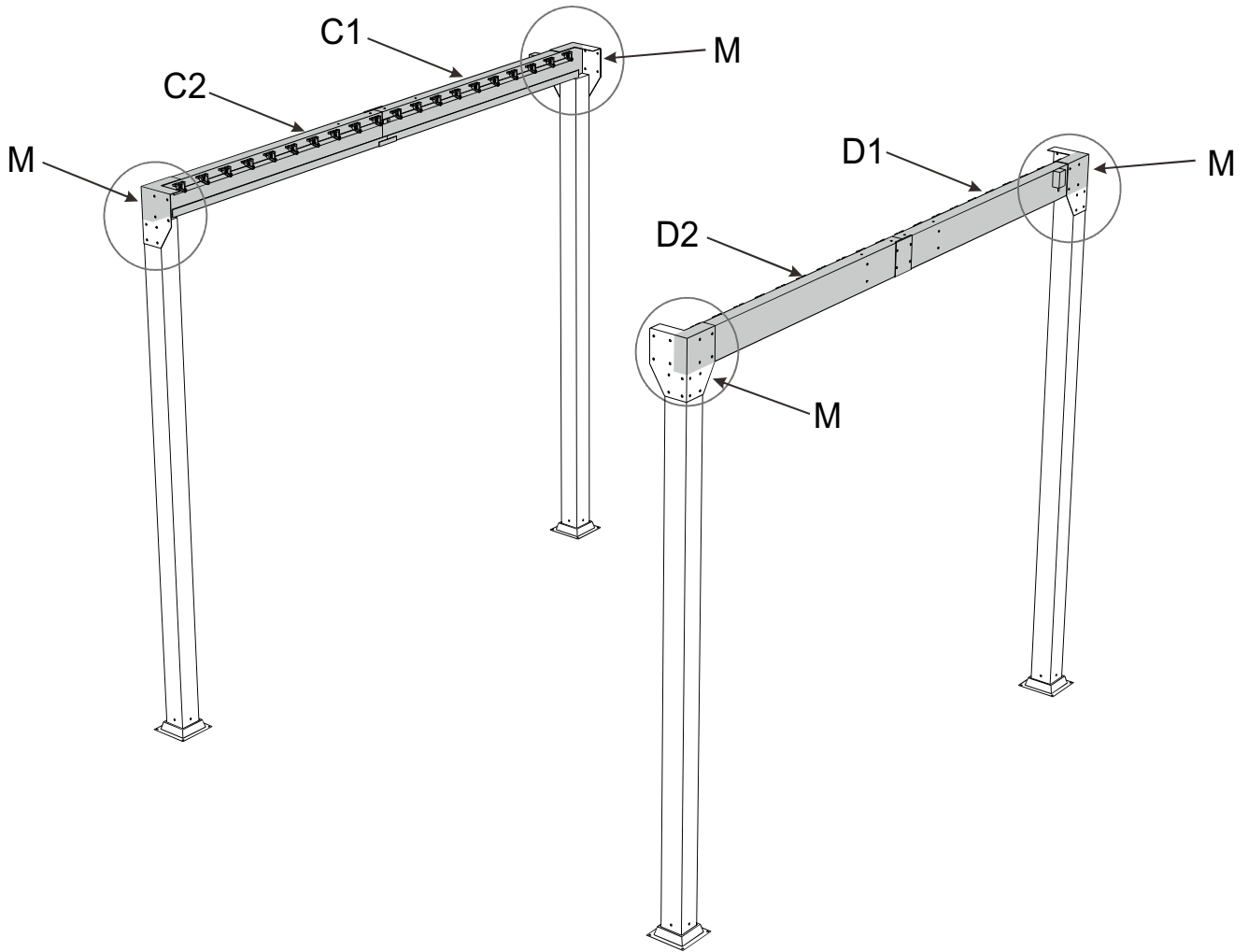
7



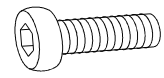
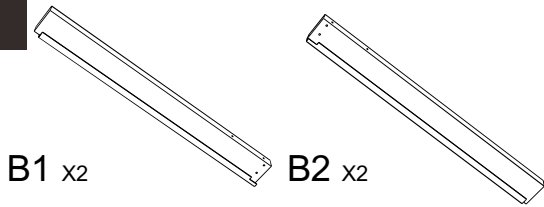
S x16



#3 x16



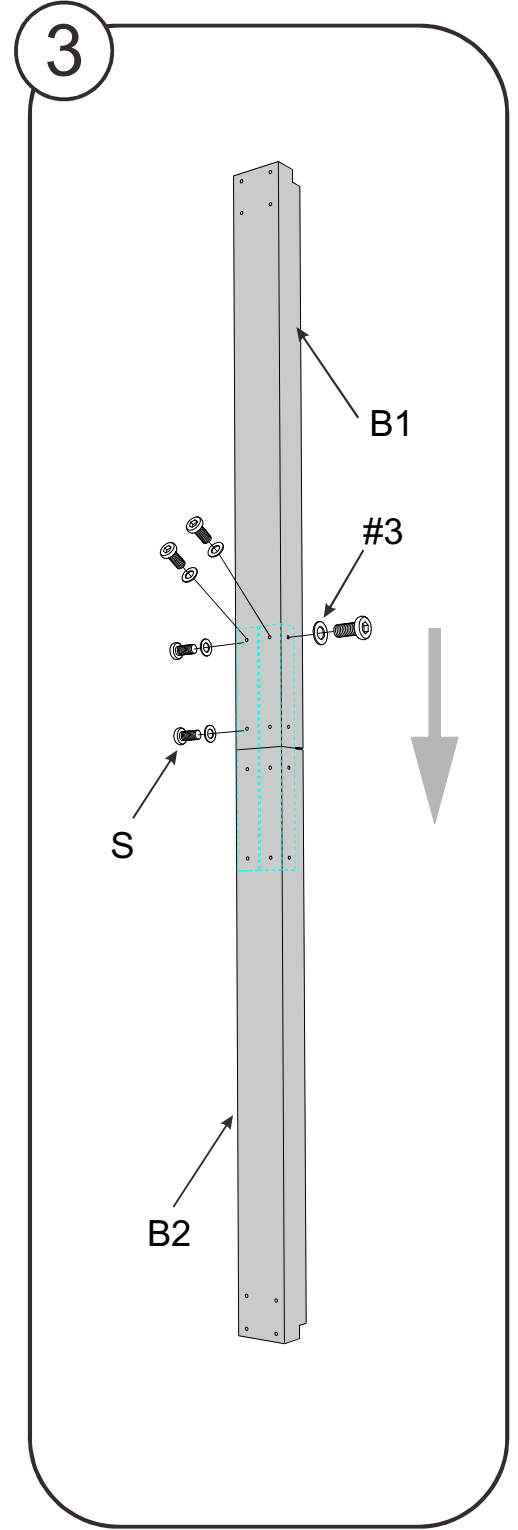
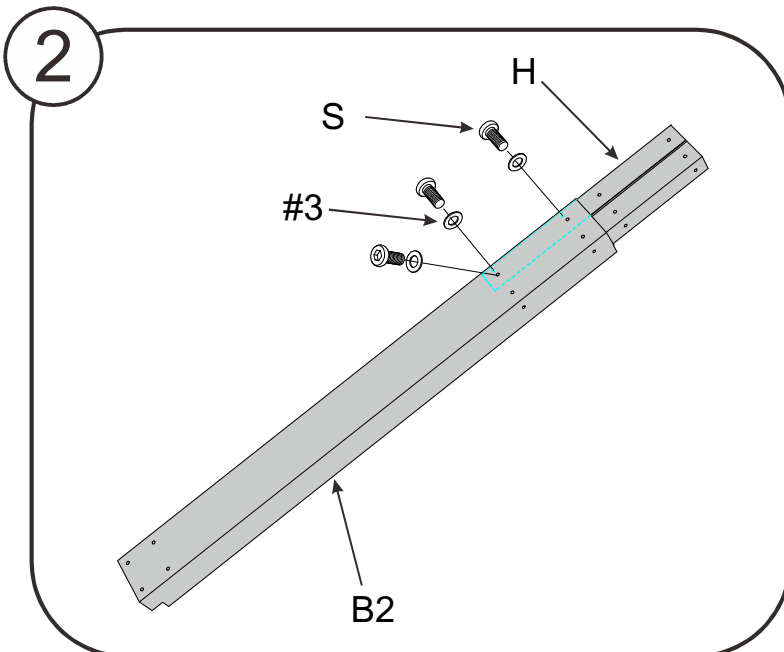
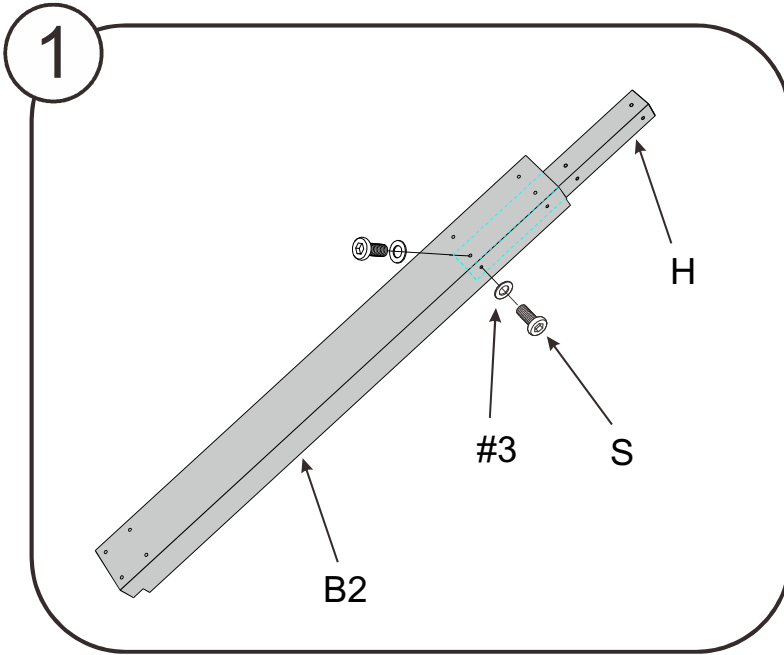
8



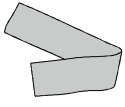
S x20



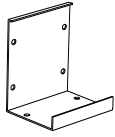
#3 x20



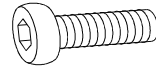
9



N x2



Q x2

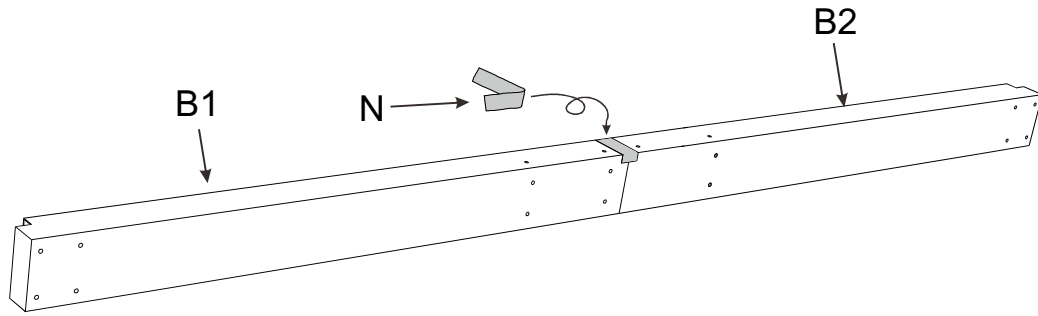


S x12



#3 x12

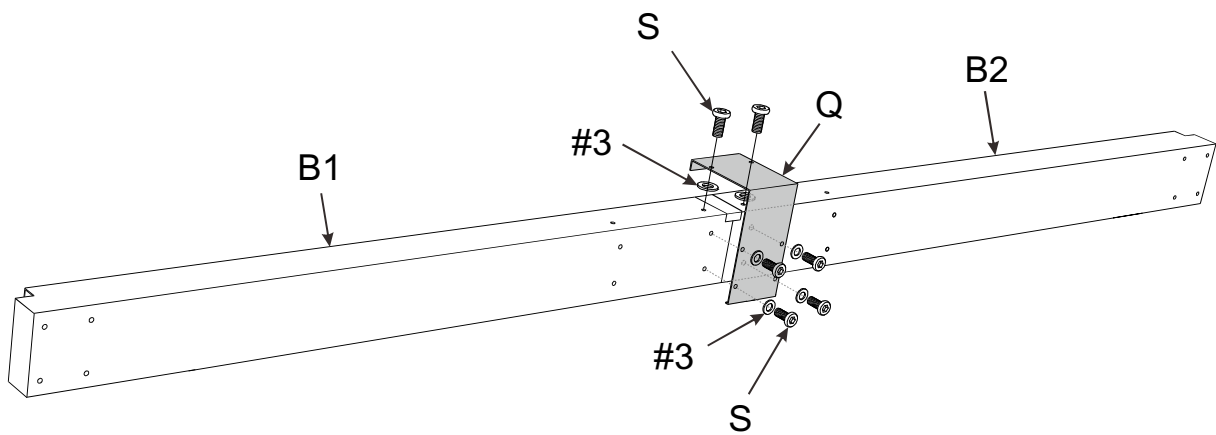
4



Attach waterproof glue N under the sink.

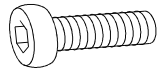


5



Noted: Repeat steps 1-5 to assemble remaining parts B1,B2&H.

10

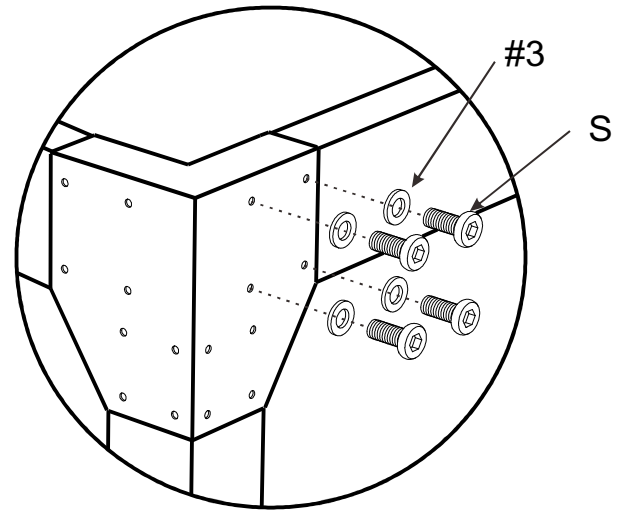
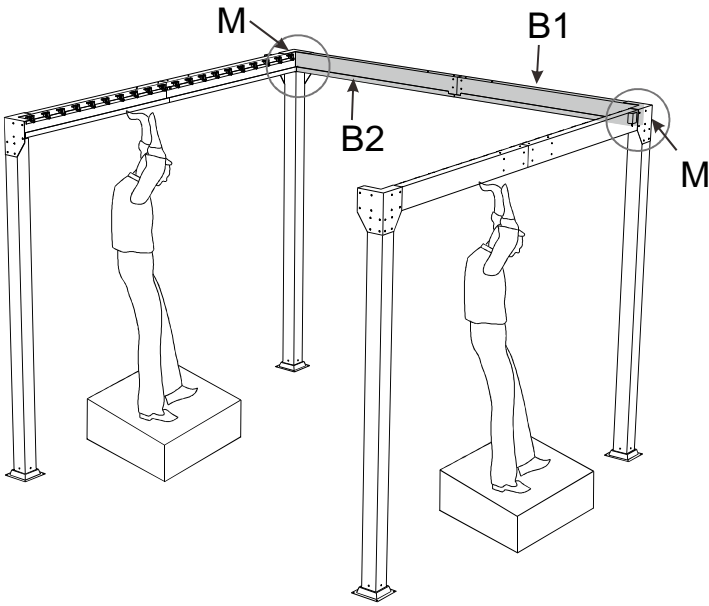


S x16

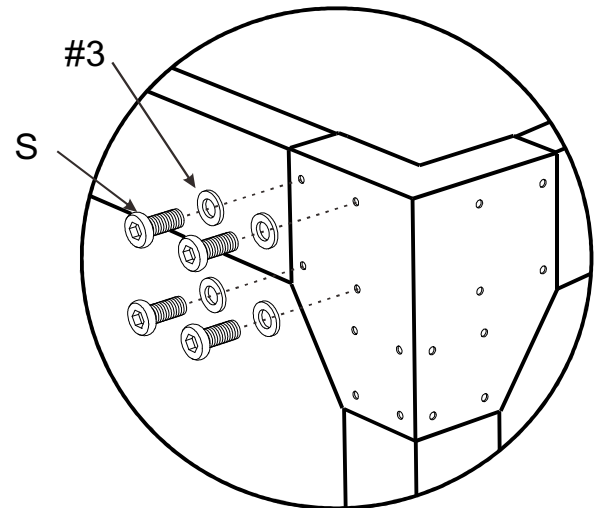
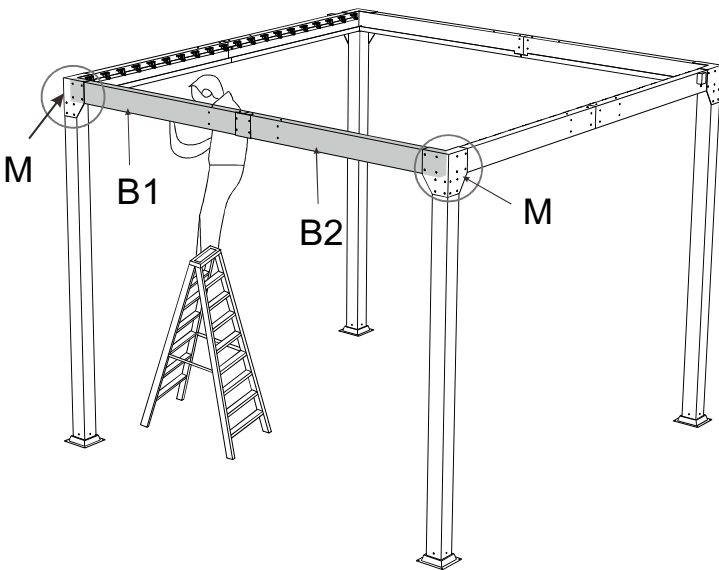


#3 x16

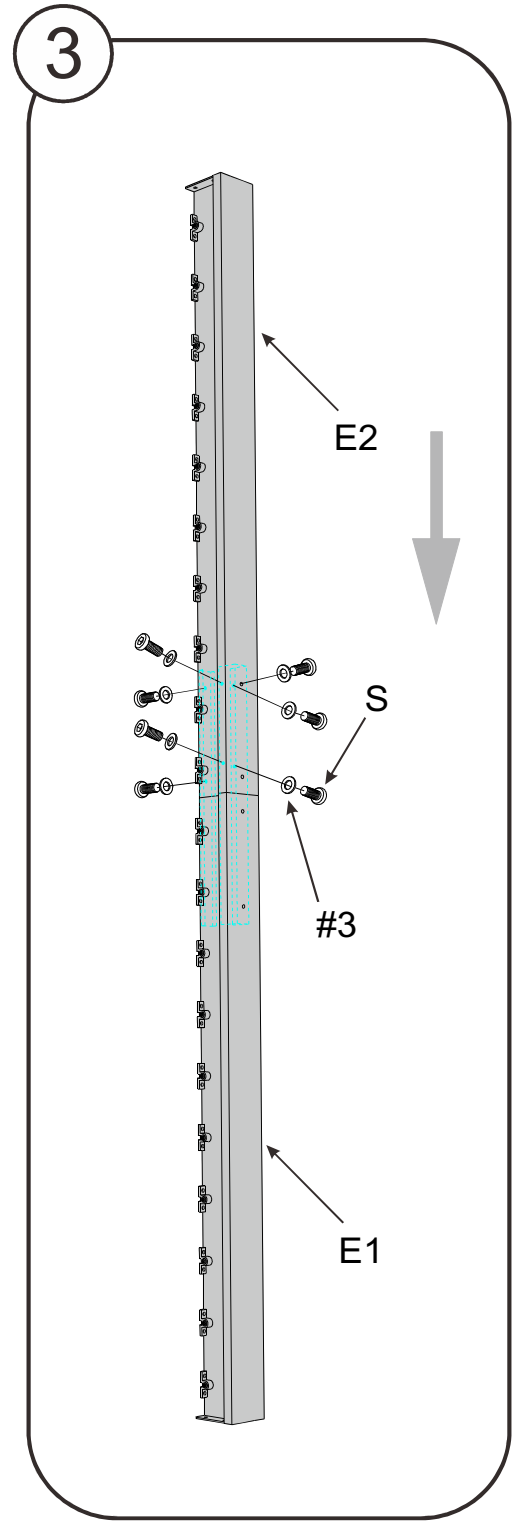
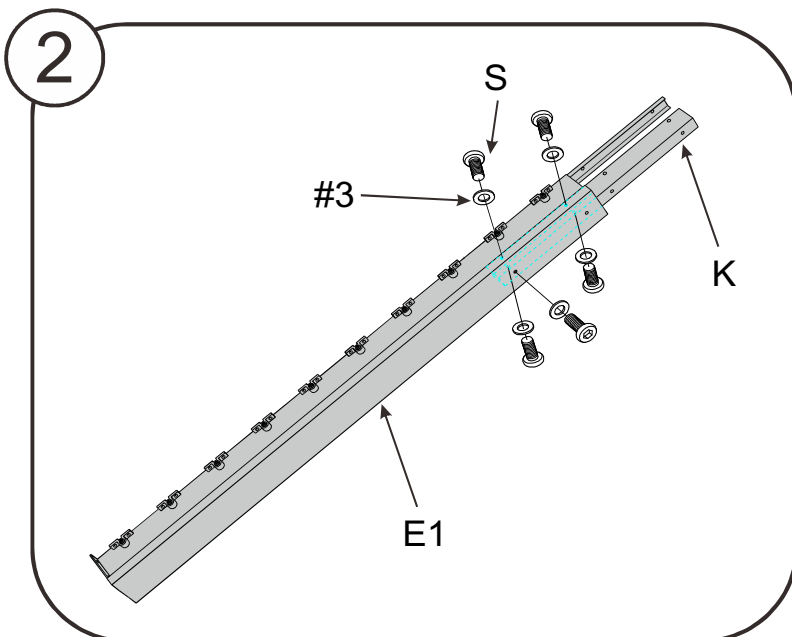
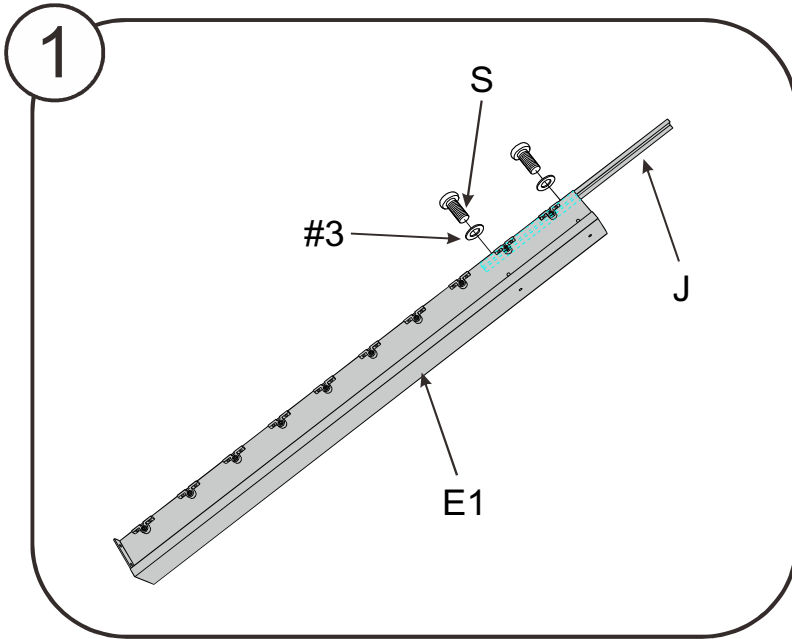
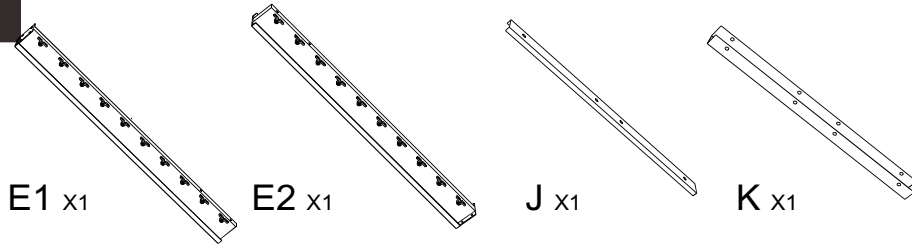
1



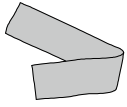
2



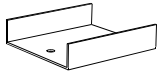
11



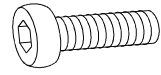
12



N x1



R x1

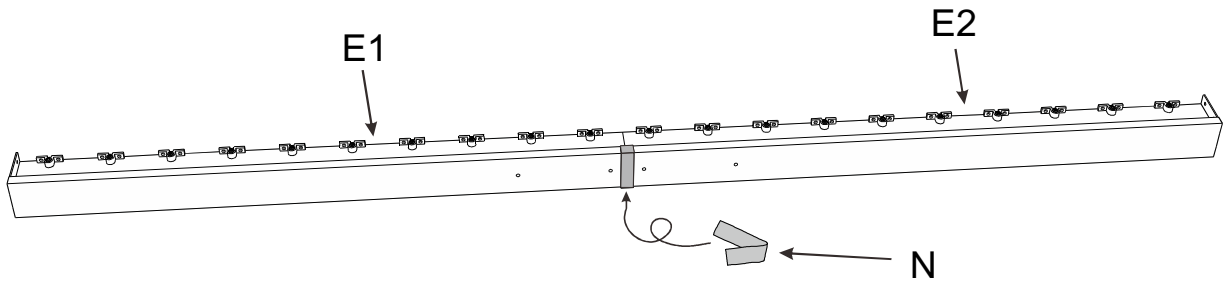


S x2



#3 x2

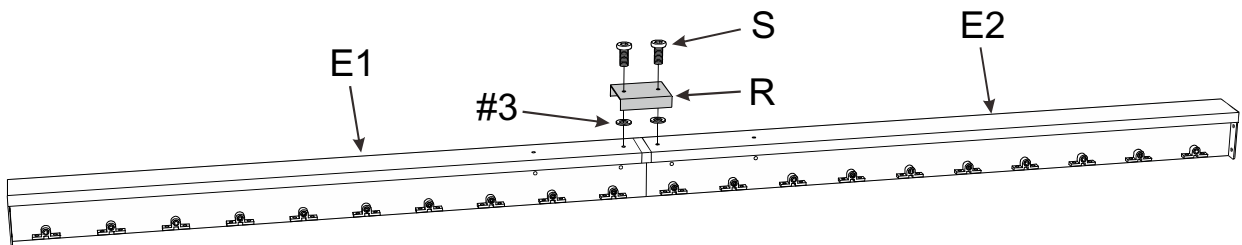
4

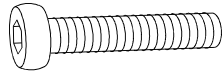


Attach waterproof glue N under the sink.



5

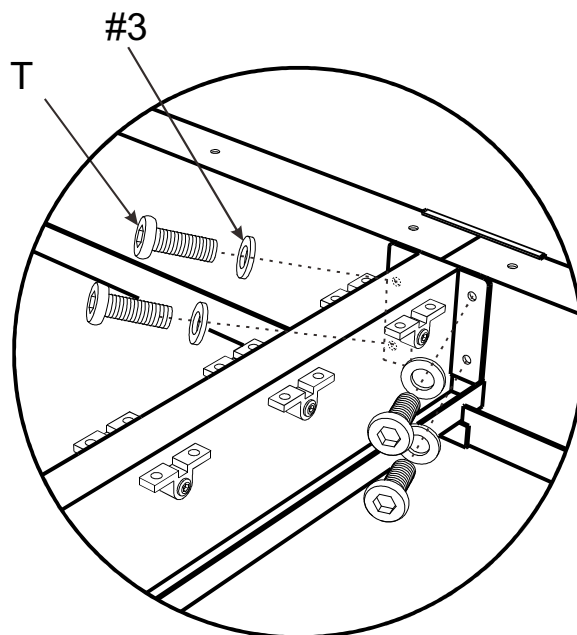
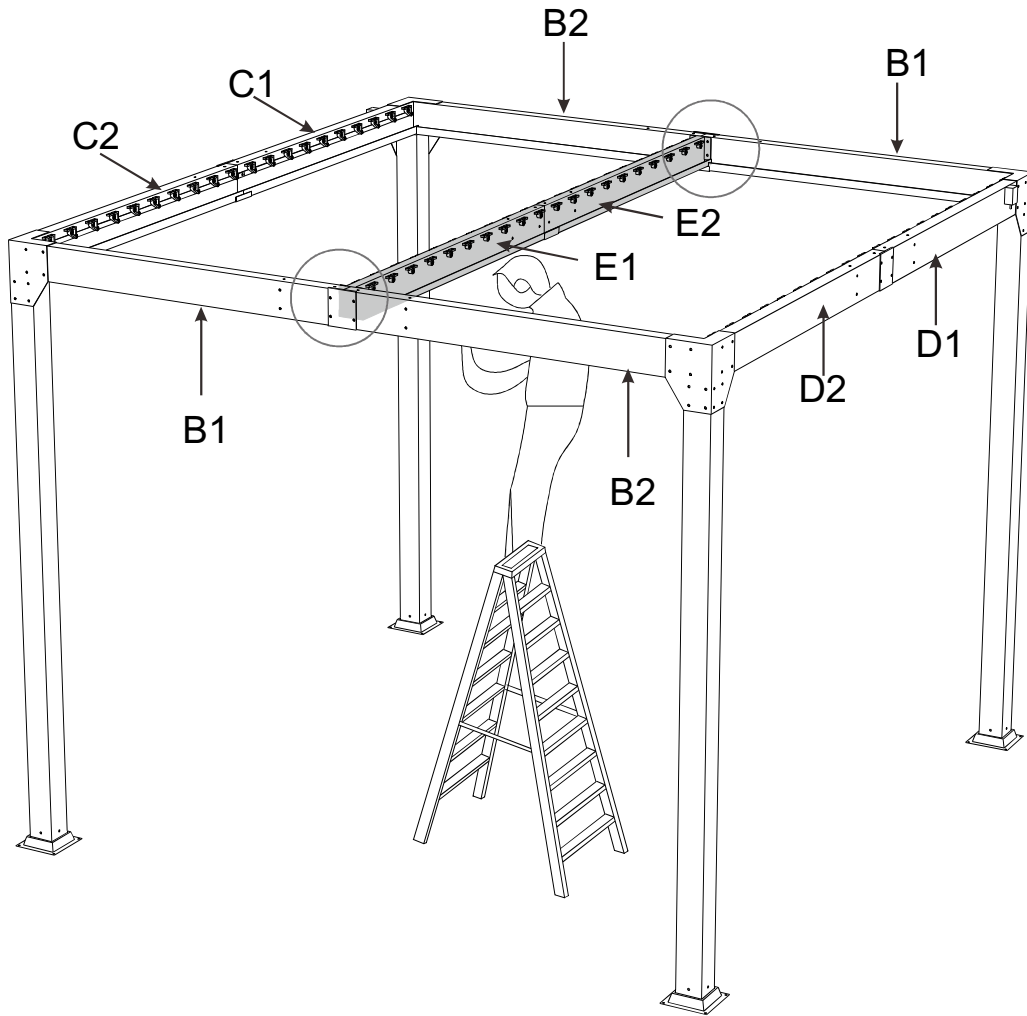


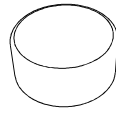


T x8

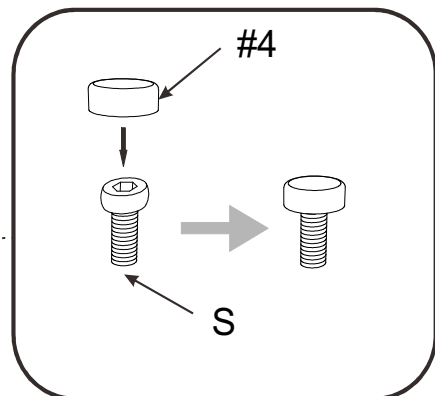
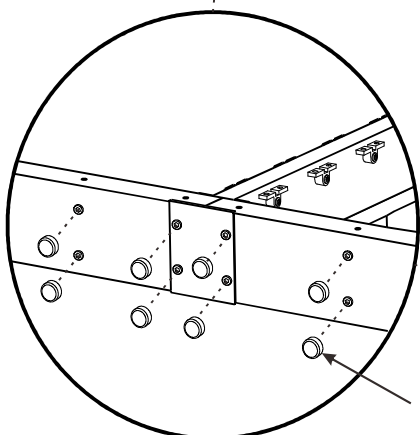
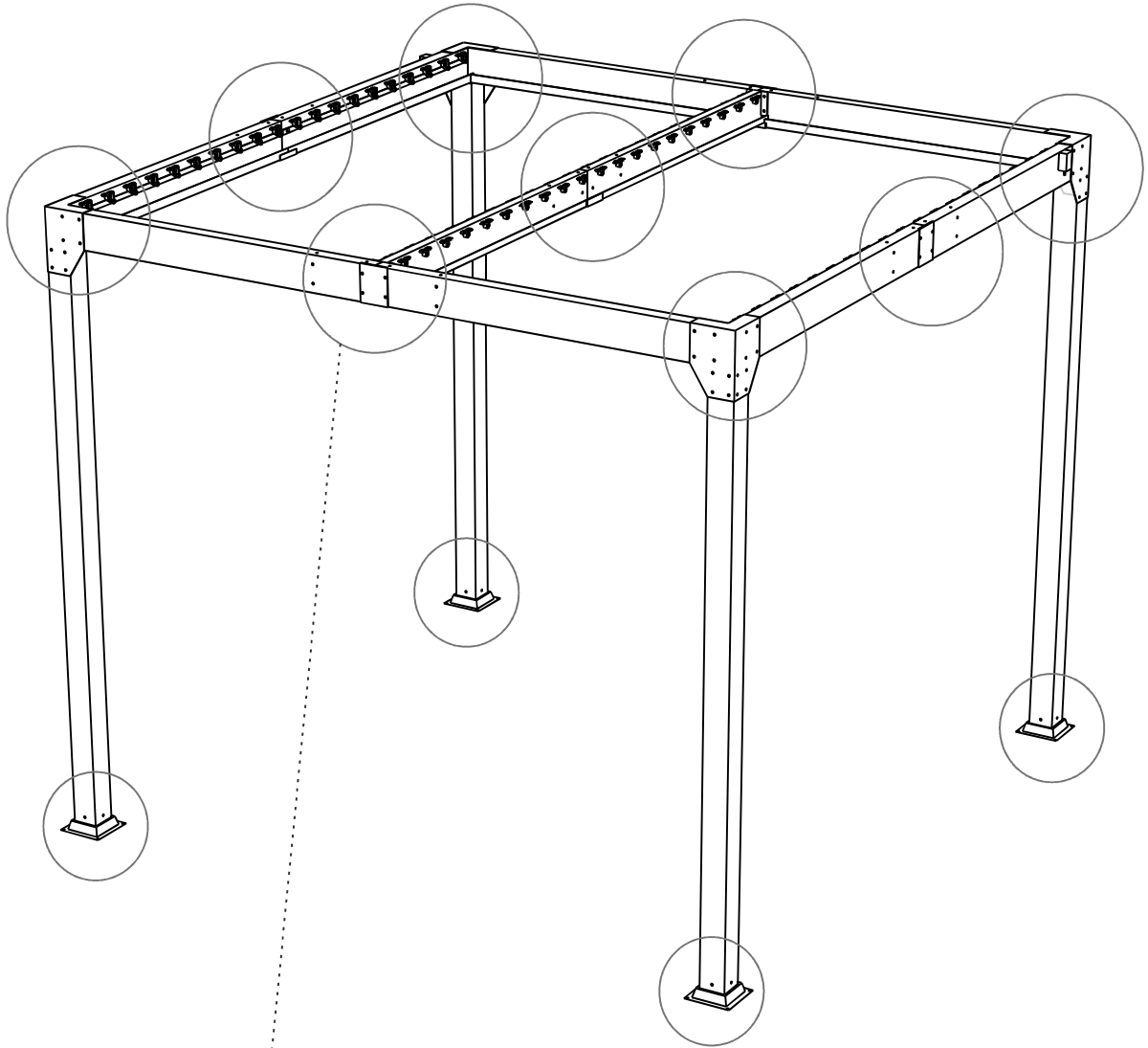


#3 x8





#4 X160



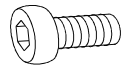
15



F x40

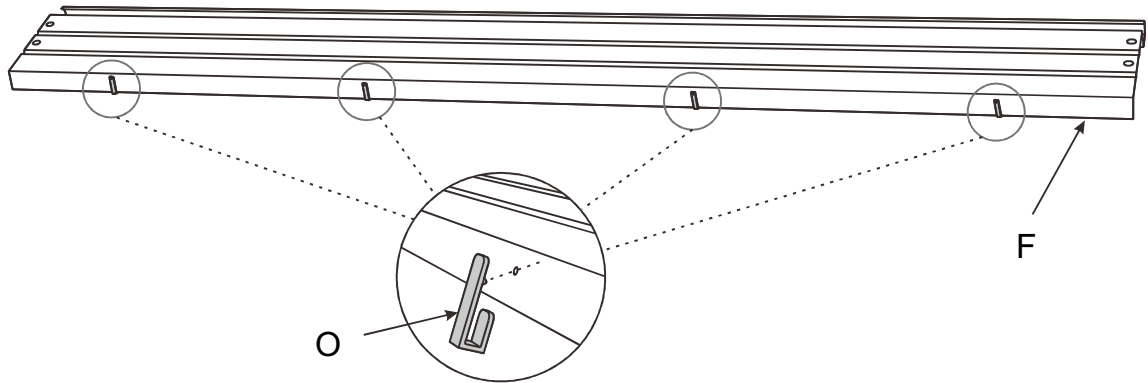


O x160

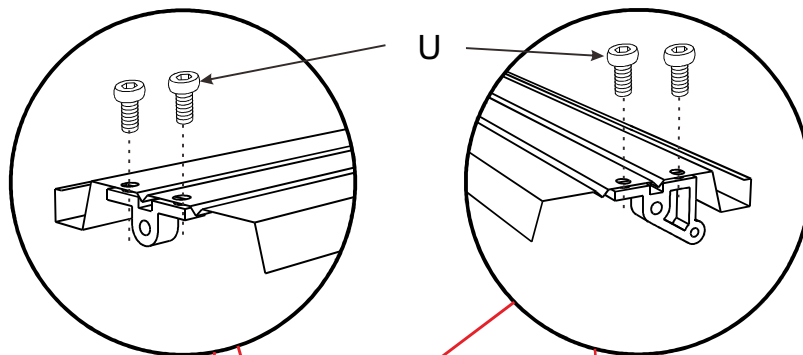


U x160

1

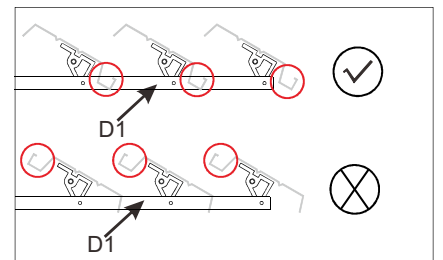


2



F

D1



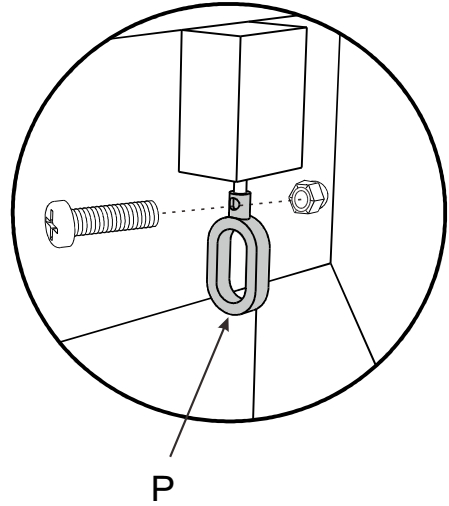
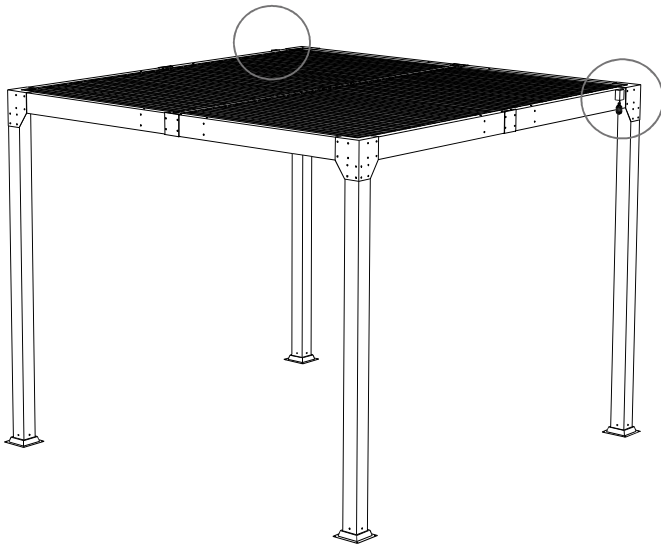


P x2

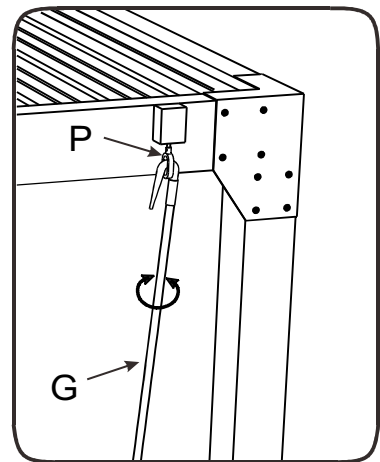
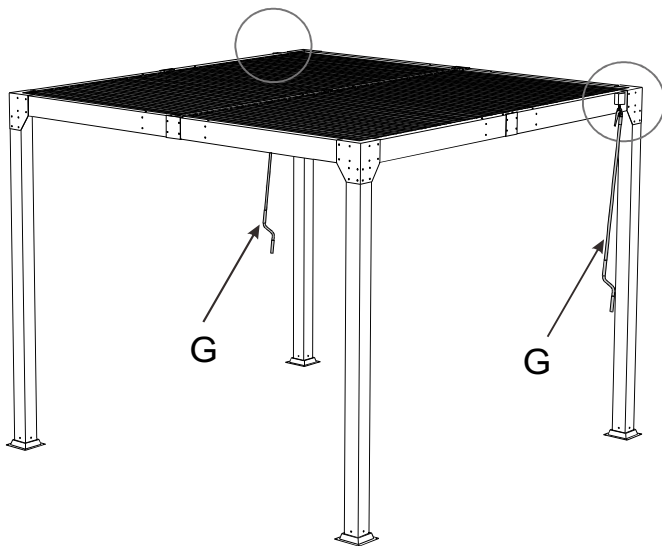


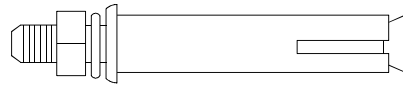
G x2

1



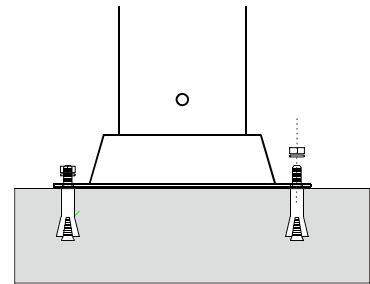
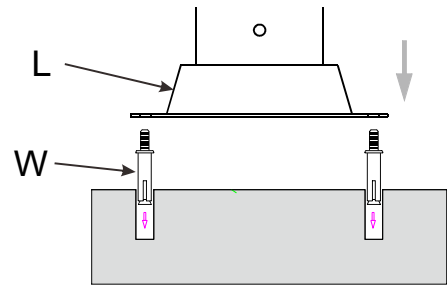
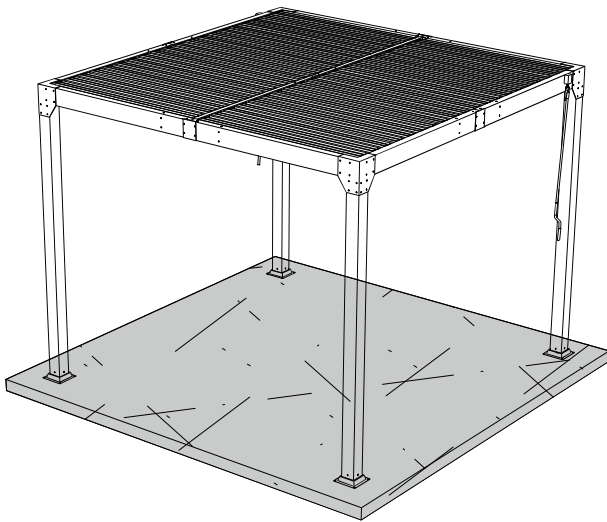
2



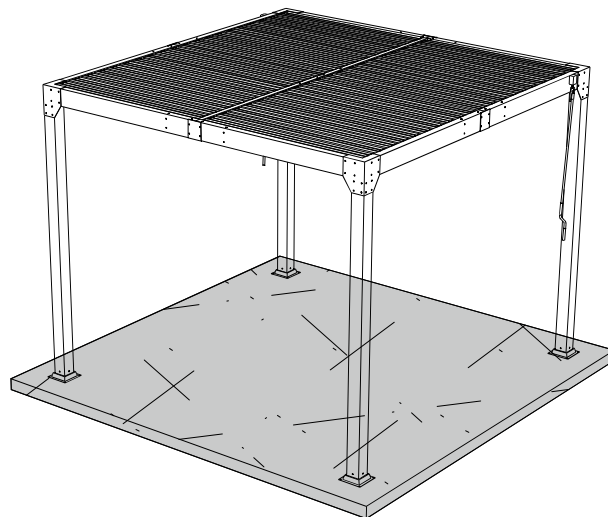


W x16

1



2



ENJOY YOUR LOUVERED PERGOLA !

Please don't hesitate to contact us for any further questions,
your satisfaction is guaranteed.
customerservice@aodor.com
<https://www.aodor.com/>