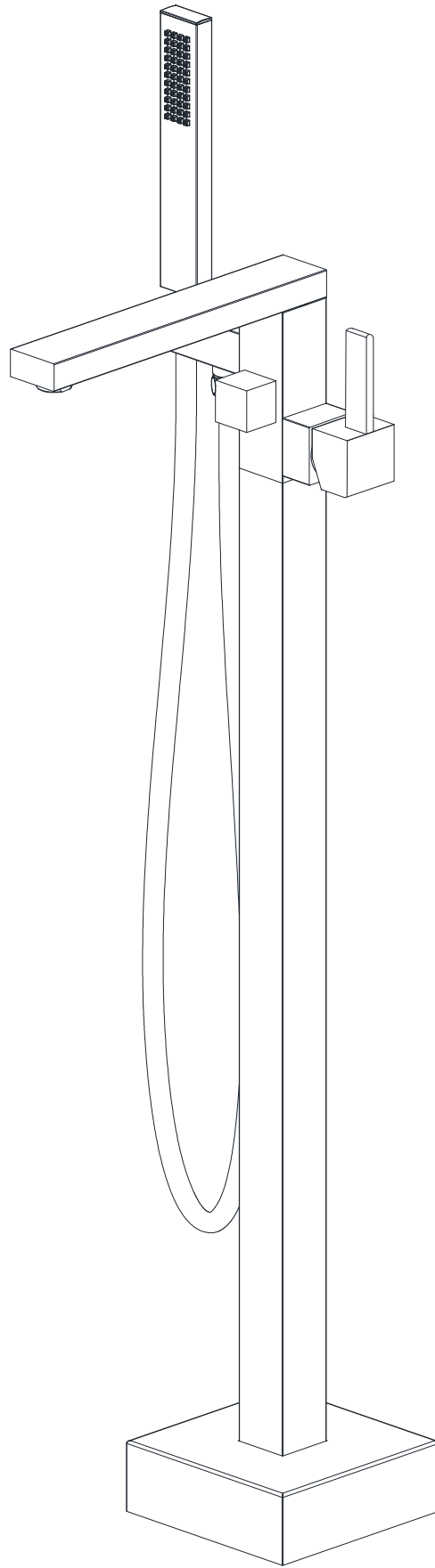


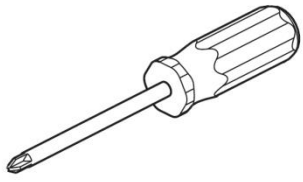
INSTALLATION GUIDE



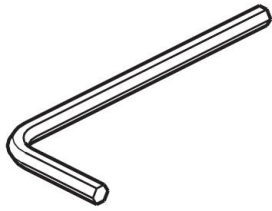
FLOOR MOUNT TUB FILLER FAUCET

CUSTOMER CARE LINE: +1-866-203-0866

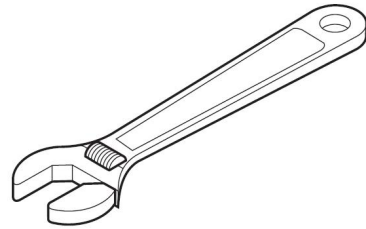
TOOLS RECOMMENDED



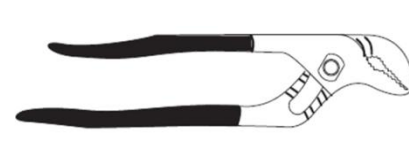
Philips Screwdriver



Allen Wrench



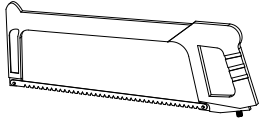
Adjustable Wrench



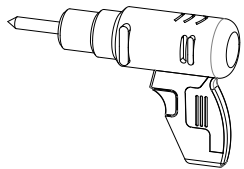
Channel Locks



Teflon Tape



Saw



Electric Drill

1. BEFORE PROCEEDING



WARNING: Before beginning any installation or operation, read all instructions carefully. If you are unsure about installing this product, consult a licensed professional. This product must be installed in compliance with all applicable local and state plumbing and building codes. Professional assistance is strongly recommended.

2. SHUT OFF WATER SUPPLY

Locate the water supply inlets and turn off the corresponding water supply valves, typically located under the sink or near the water meter. If replacing an existing unit, remove the old unit and thoroughly clean the mounting surface to ensure proper installation.

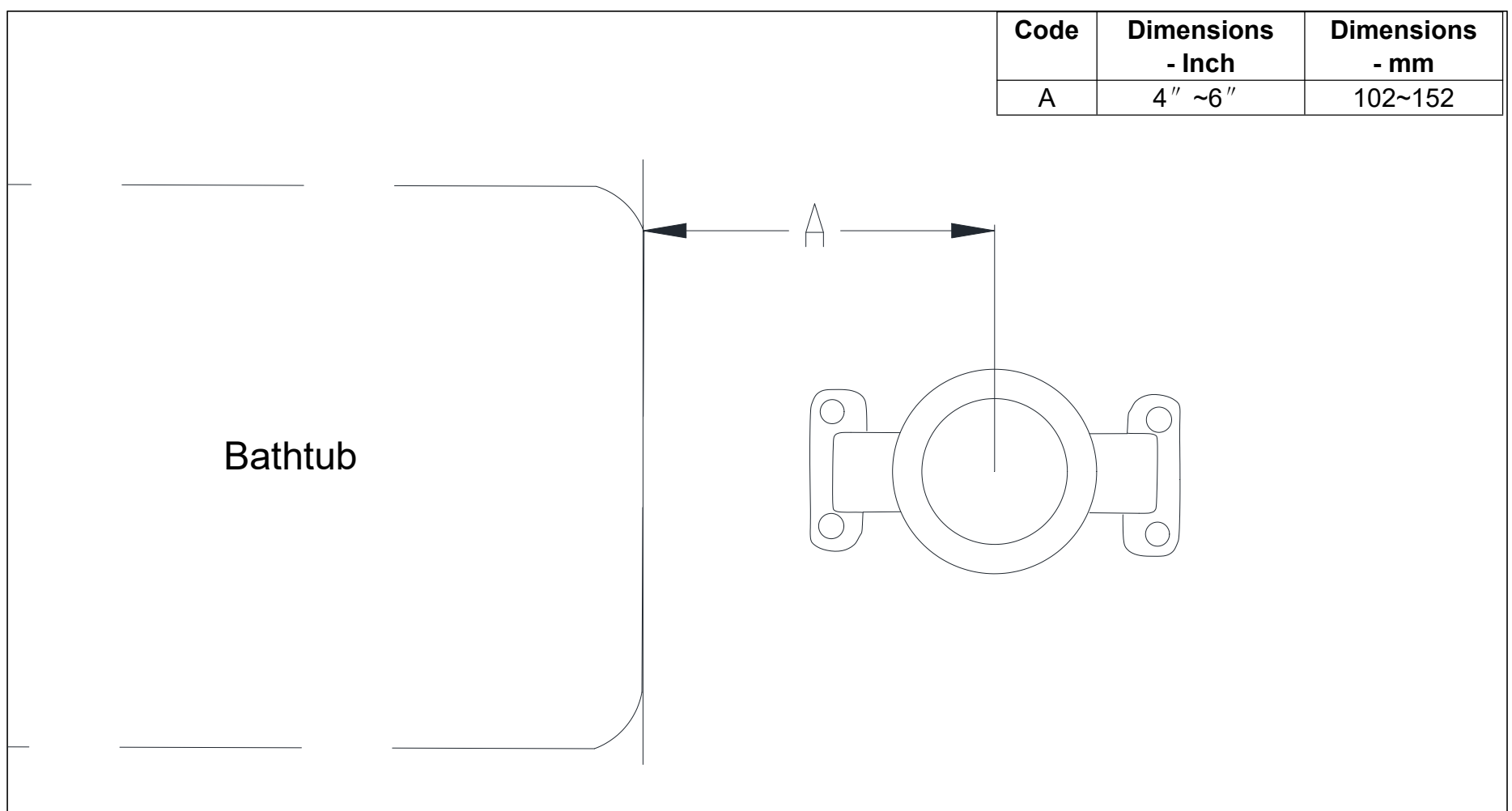
3. CHECKING THE CONTENTS OF THE BOX

Upon opening the box, verify that all the listed components are included.

4. FLOOR SUPPORT BASE INSTALLATION

4.1 INSTALL TUB FILLER FLOOR SUPPORT

4.1.1 Position the bathtub faucet installation location with a distance of “A” between the bathtub and the faucet installation site.



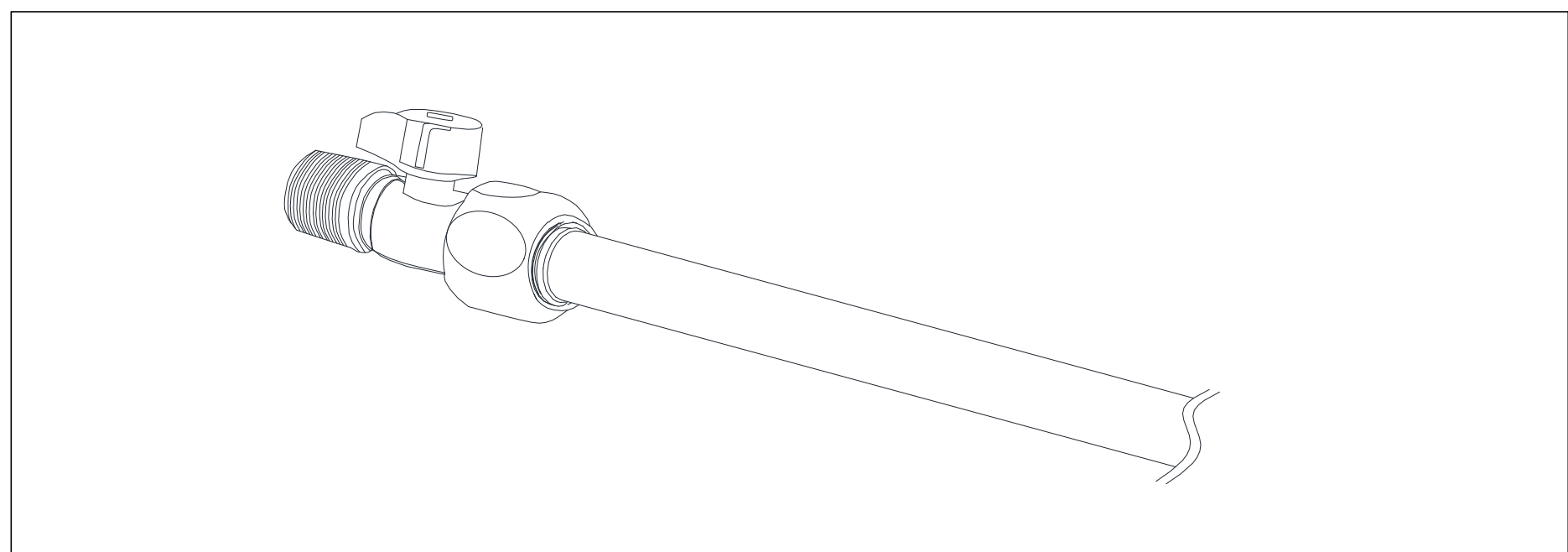
4.1.2 Construct a support bracket for the angle valves with the following minimum dimensions: “B” of depth from the support board to the decorative escutcheon surface, and “A” for both length and width.

Code	Dimensions - Inch	Dimensions - mm
A	7-3/32"	180
B	Min 2-3/4"	Min 70

4.1.3 Fabricate a support board based on the size of the support bracket, ensuring a minimum width and length of “A” each, and a minimum thickness of “C”. Drill a hole at the center of the support board for mounting the bathtub faucet, with a diameter between 1-9/16 inches and “B” .

Code	Dimensions - Inch	Dimensions - mm
A	7-3/32"	180
B	Min \varnothing 1-9/16" Max \varnothing 3-5/32"	Min \varnothing 40 Max \varnothing 80
C	Min 25/32"	40

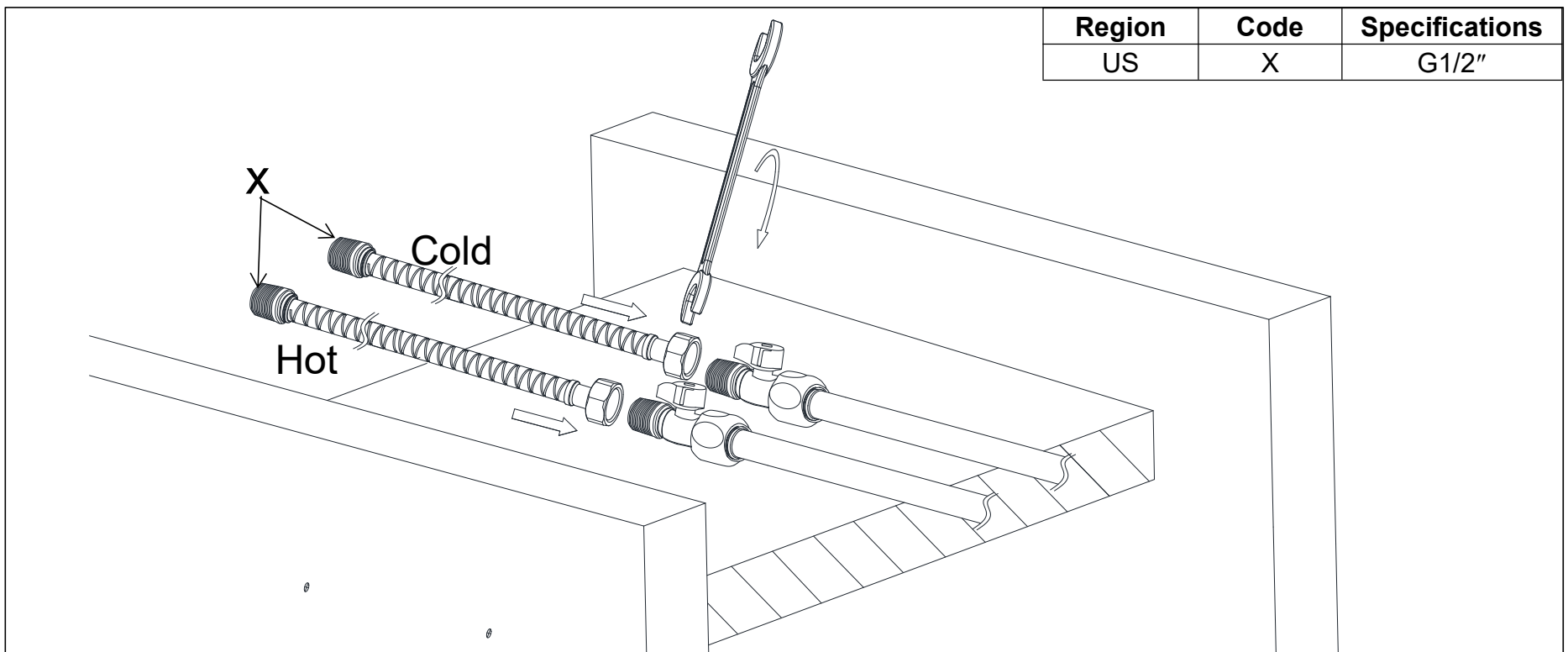
4.1.4 Connect the hot and cold water inlet angle valves with PEX pipes (convert to 1/2 inch male thread).
Max 1/2 in. Push-to-Connect x 1/2 in. MIP Chrome-Plated Brass Quarter-Turn Straight Stop Valve.



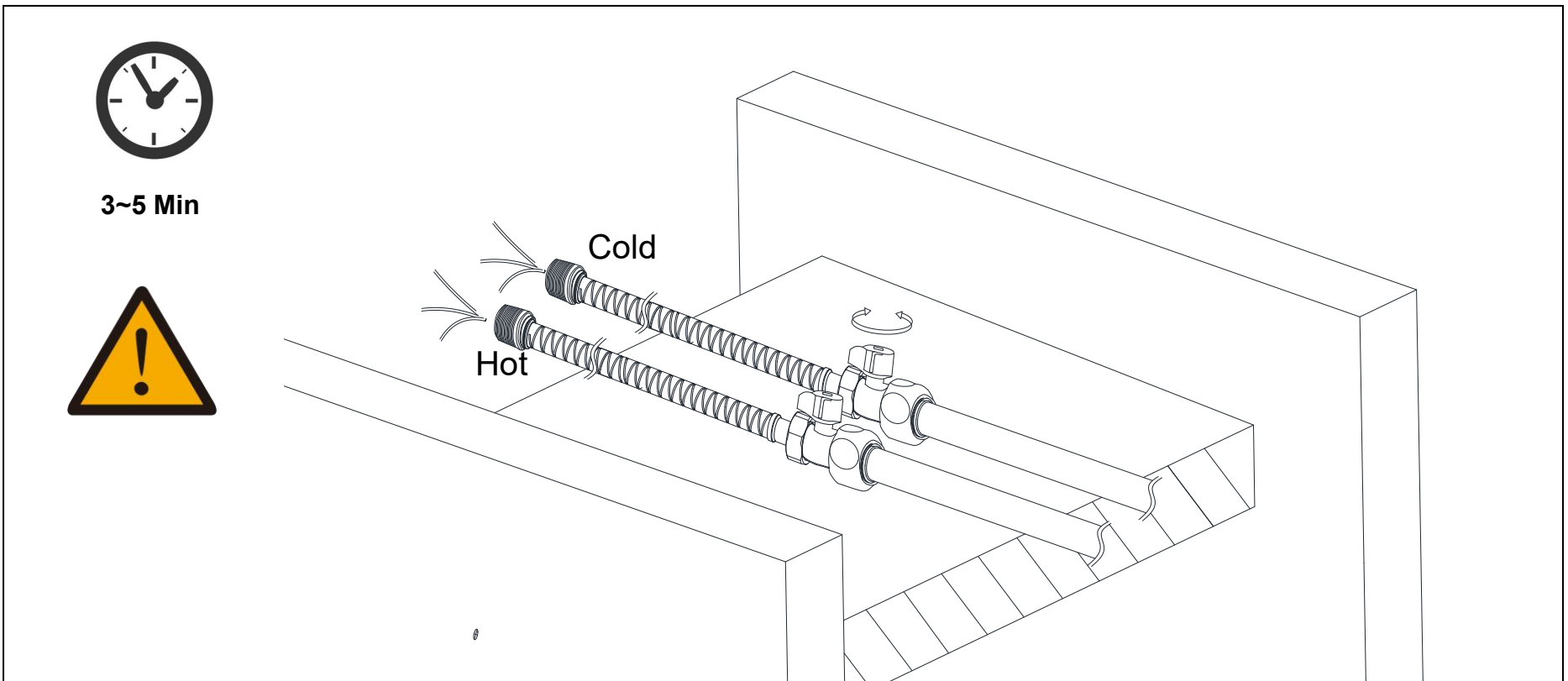
4.1.5 It is recommended to prepare two extension pipes with G1/2" external threads on one end. Connect the other end, which features internal threads compatible with the angle valve, securely to the angle valve.



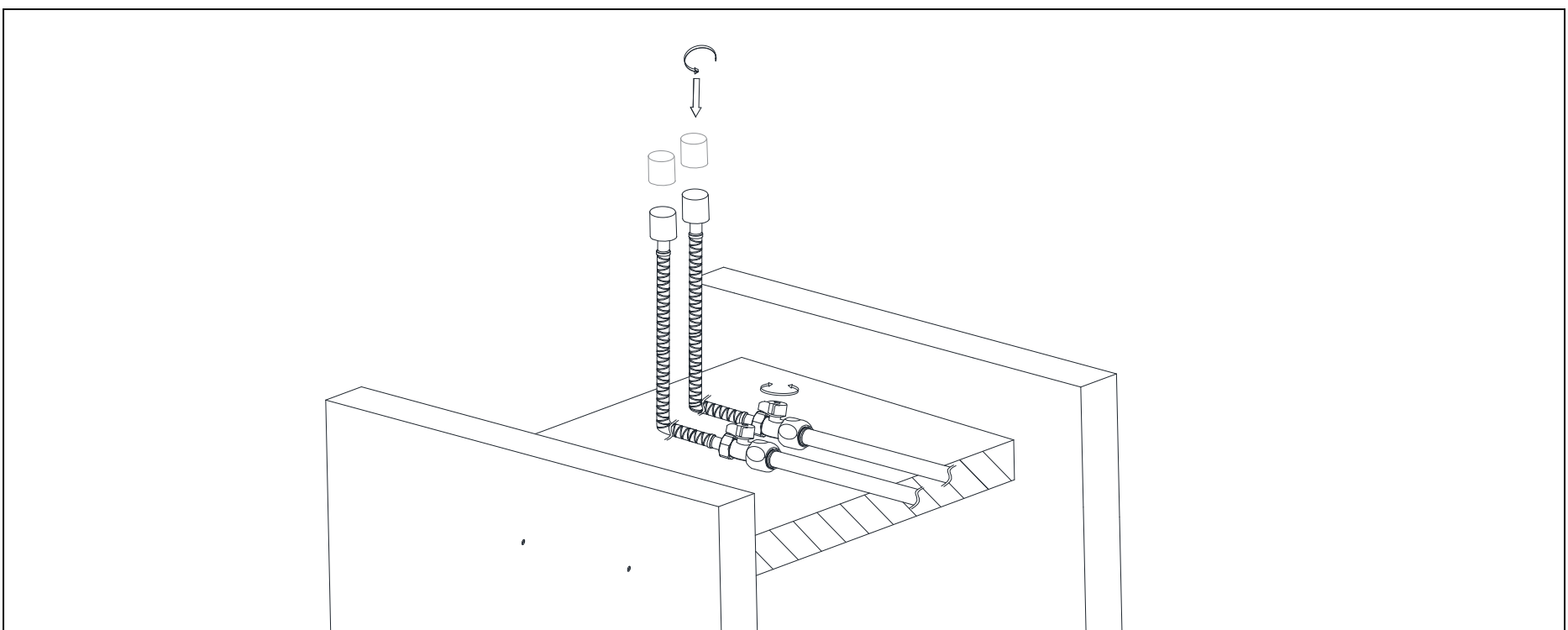
Note: This product does not include G1/2" extension pipes. Customers may provide their own extension pipes as needed.




4.1.6 First, turn off the angle valve and conduct a high-pressure leak test to check for leaks. Next, open the angle valve and let water flow for 3 to 5 minutes to flush out any debris from the pipes.



4.1.7 After completing the test, close the angle valve and securely tighten the G1/2 male thread protection cover onto the hose connection.

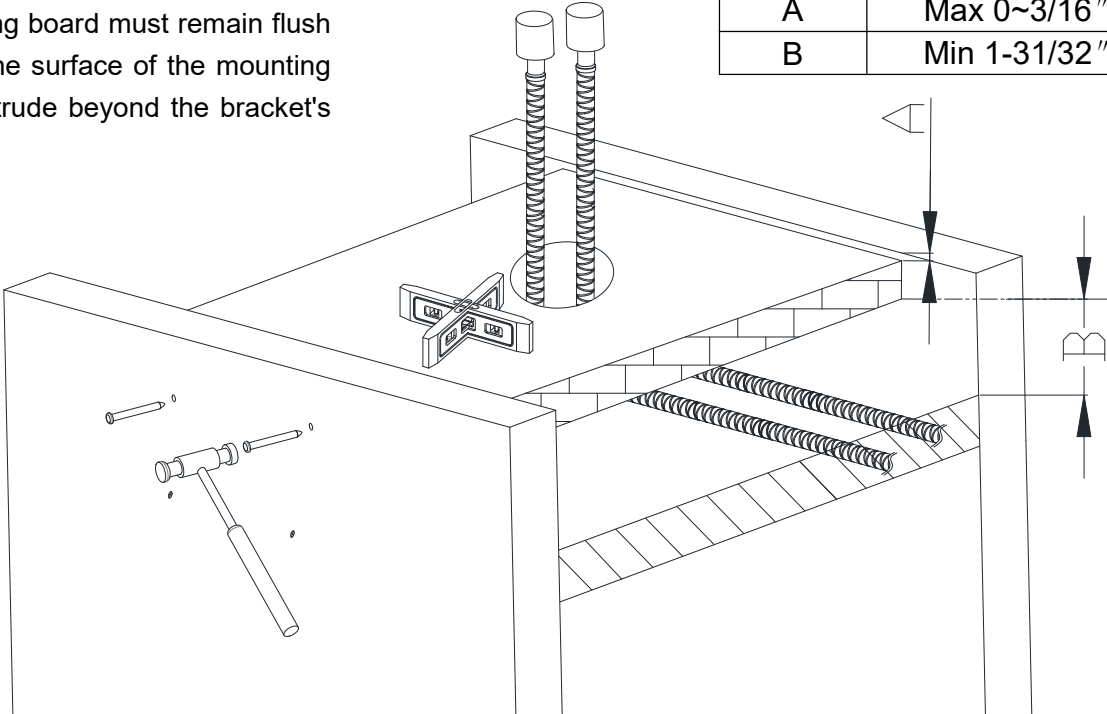


4.1.8 Install the prepared support board horizontally onto the frame using a level to ensure the depth between the support board and the frame surface is “A”. Ensure the top surface of the support board is flush with the frame surface for proper alignment.



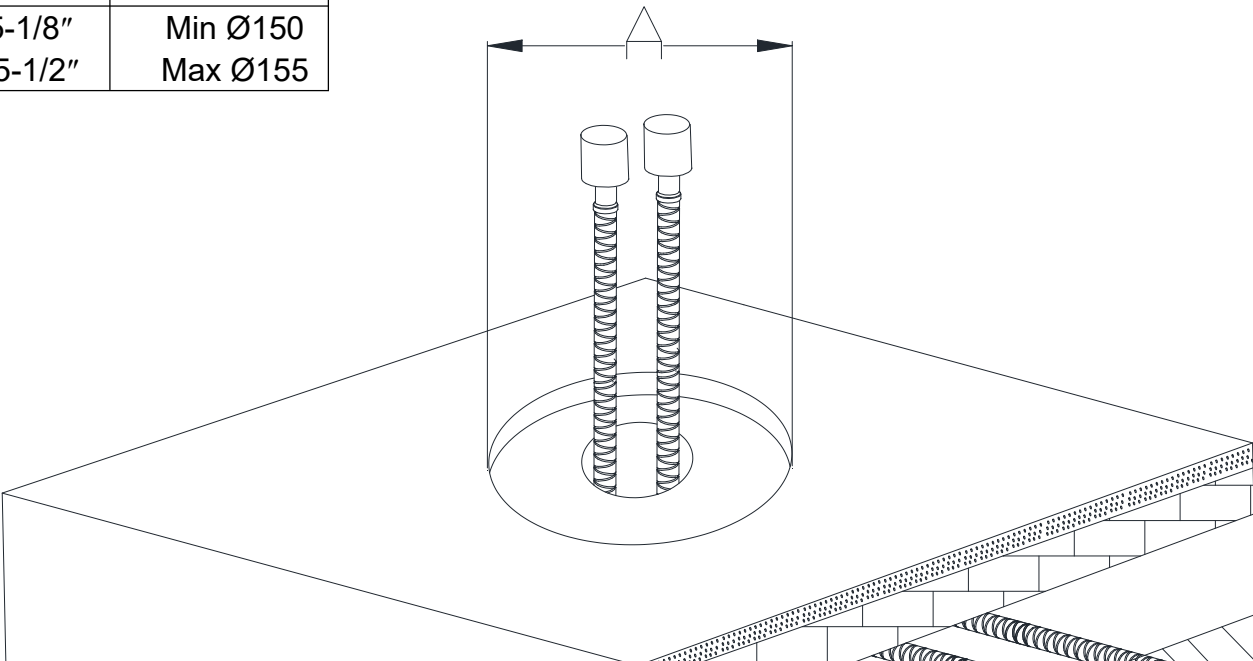
WARNING: The mounting board must remain flush with or recessed from the surface of the mounting bracket. It must not protrude beyond the bracket's surface.

Code	Dimensions - Inch	Dimensions - mm
A	Max 0~3/16"	0~5
B	Min 1-31/32"	50

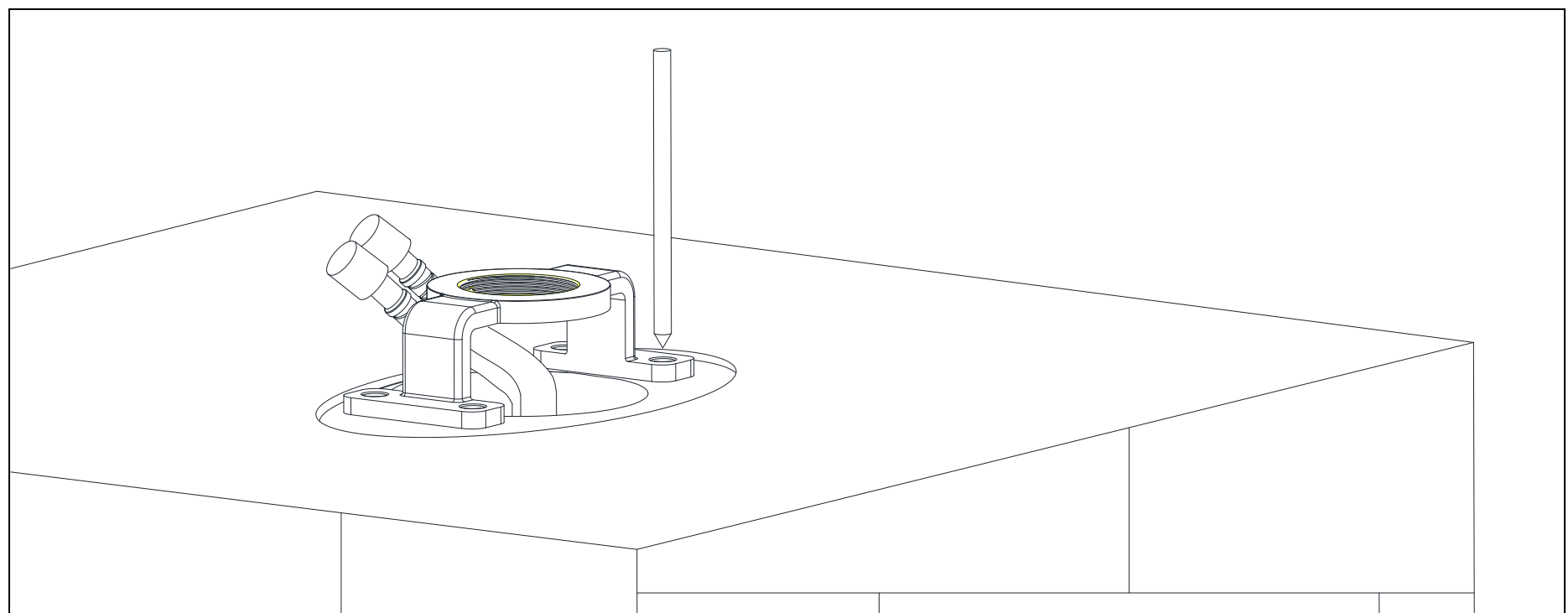


4.1.9 Insert the two extension pipes through the installation holes in the support board, ensuring they extend to the exterior surface of the board. Proceed to complete the final installation of the waterproof flooring. The recommended hole diameter for the waterproof flooring is “A”. Note: Ensure the hole diameter accommodates the maximum outer diameter of the base bracket.

Code	Dimensions - Inch	Dimensions - mm
A	Min Ø5-1/8" Max Ø5-1/2"	Min Ø150 Max Ø155

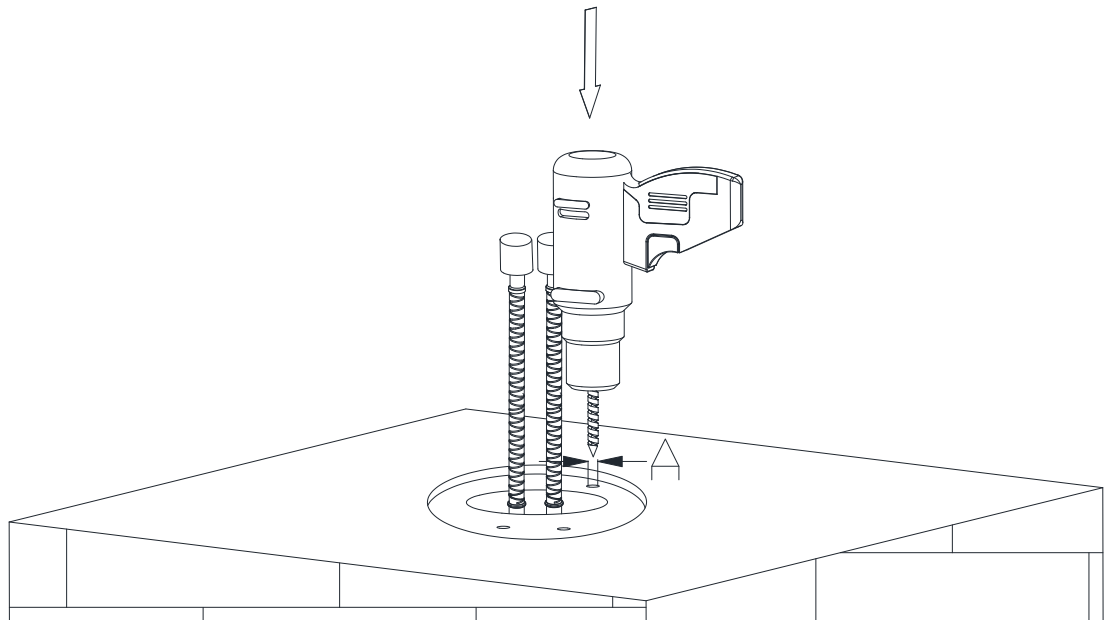


4.2 Using a pencil, mark the locations of the four mounting screw holes on the support board.

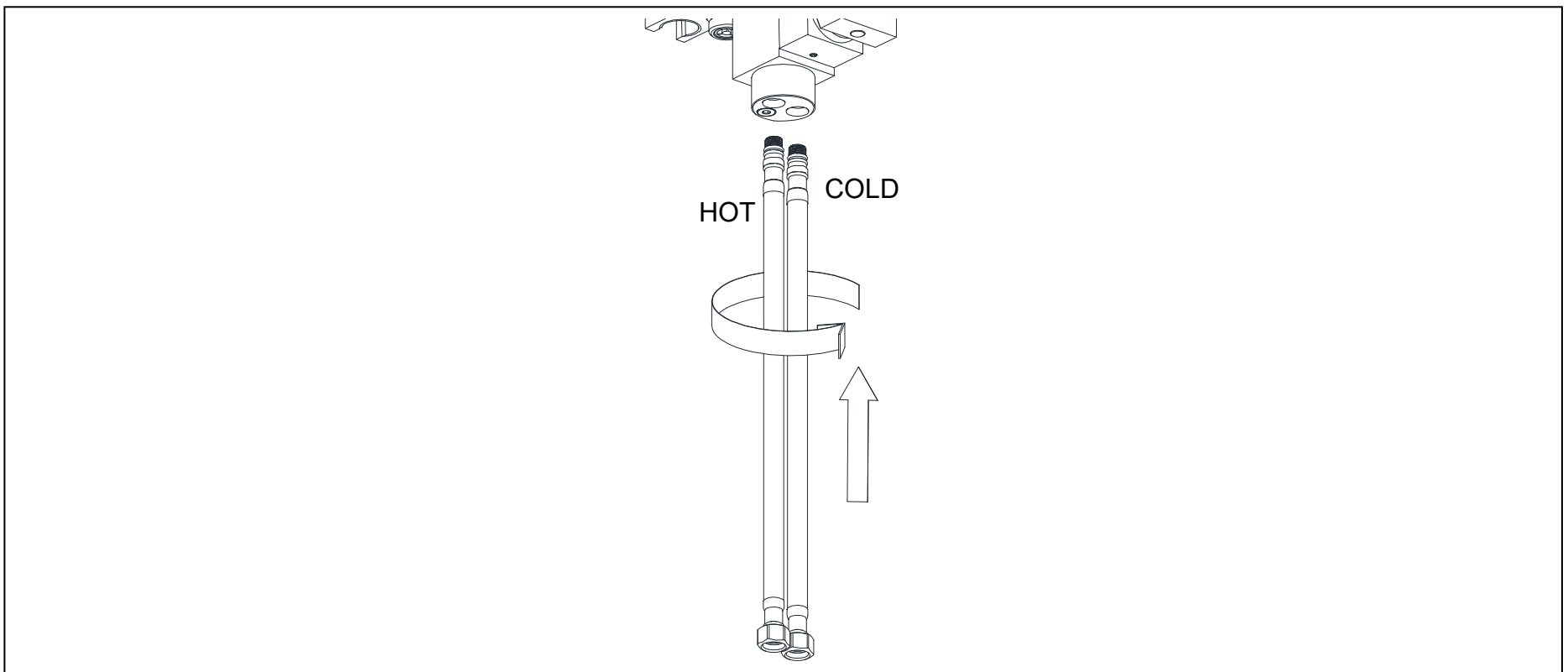


4.3 Use an electric drill to drill four “A” diameter holes at the marked locations.

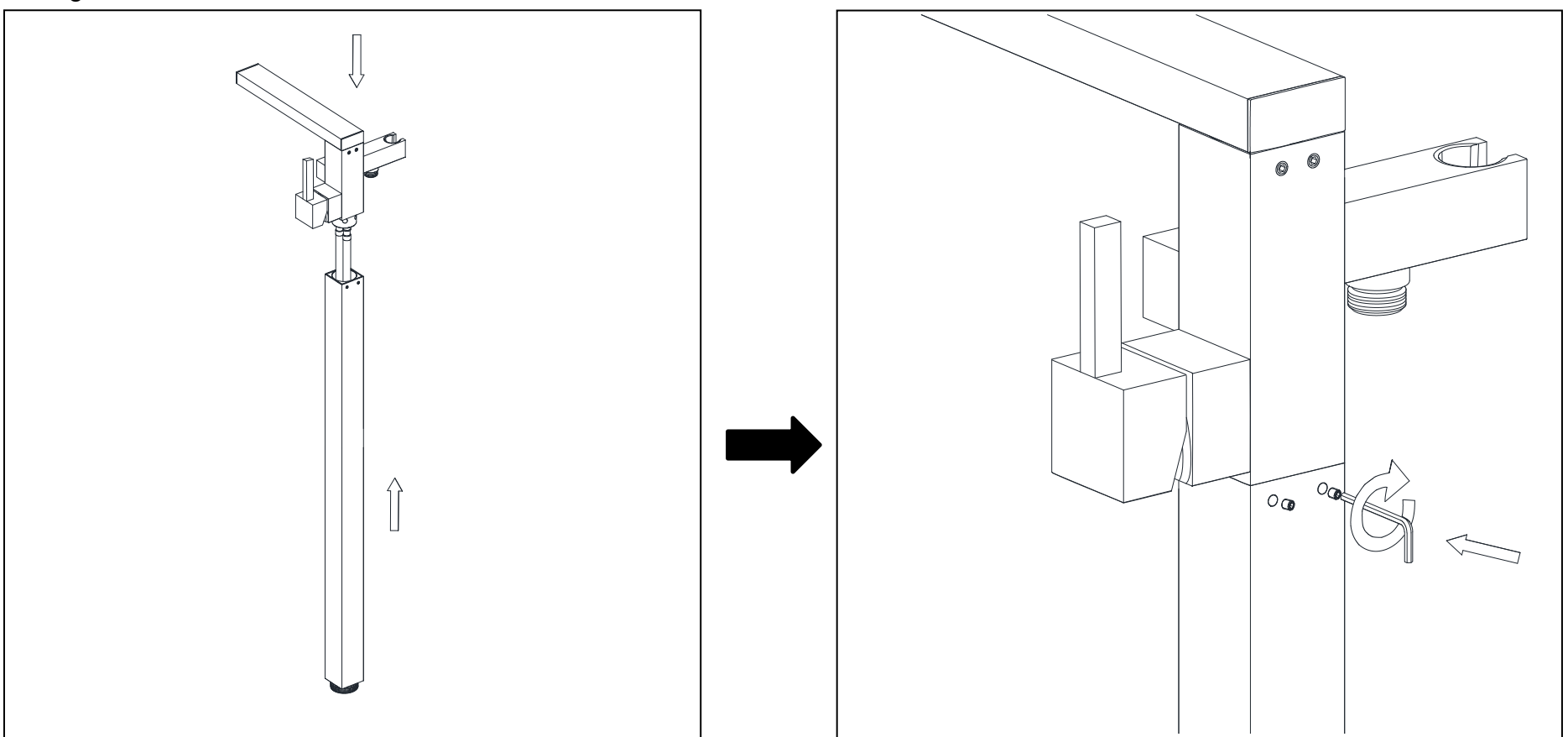
Code	Dimensions - Inch	Dimensions - mm
A	Min Ø5/32"	4



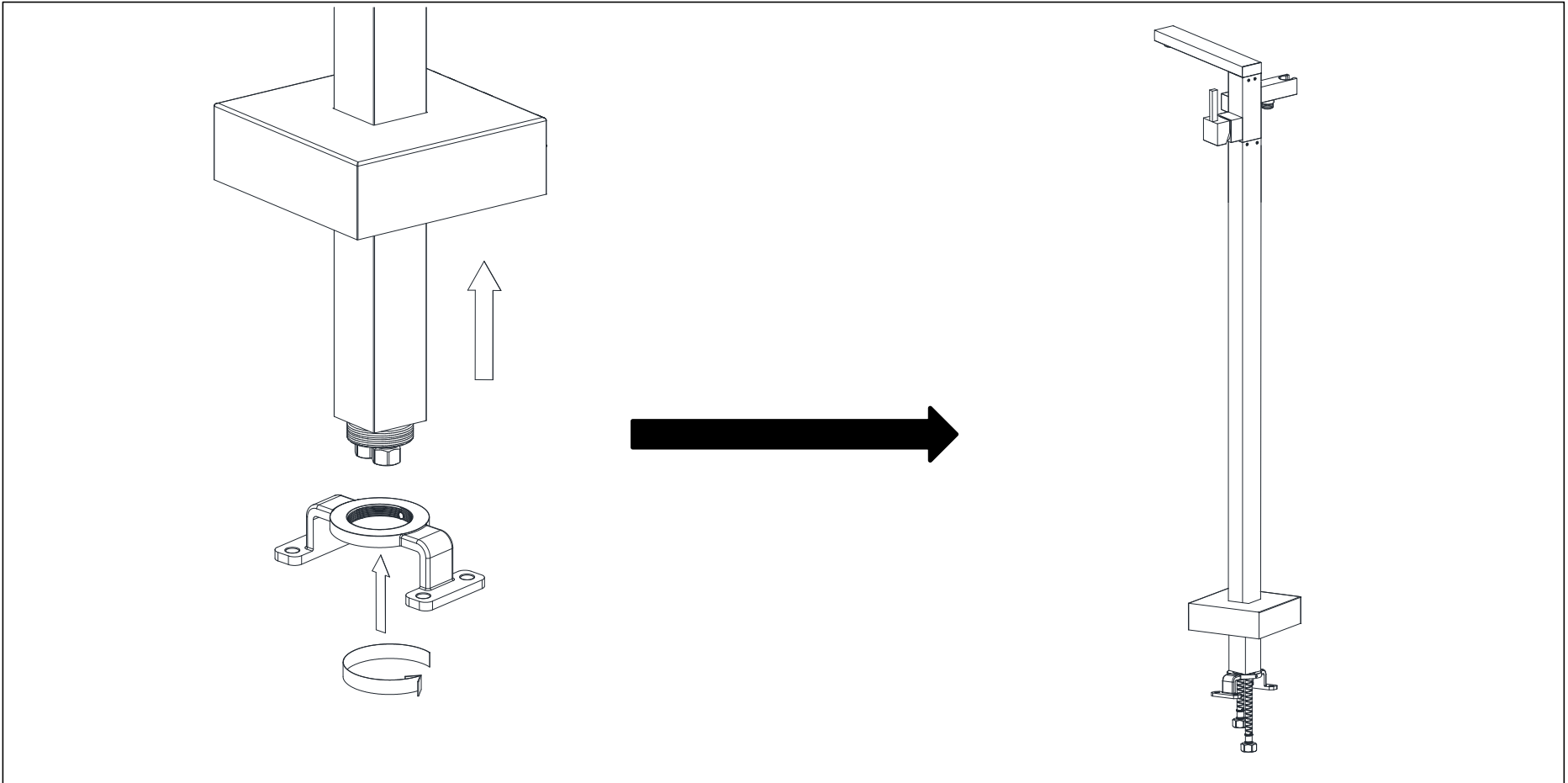
4.4 Securely attach the hot and cold water inlet hoses onto the faucet body, ensuring proper alignment and a tight connection.



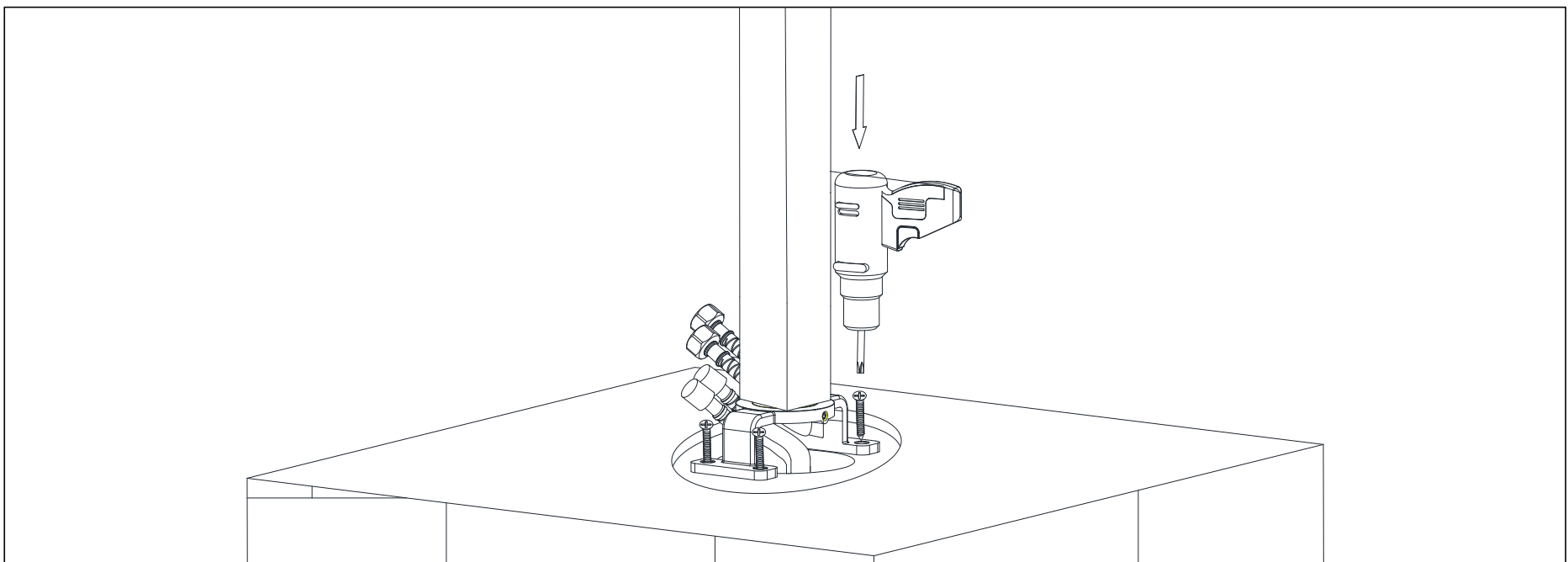
4.5 Attach the straight pipe onto the faucet body and use the provided hex wrench to tighten the hex screws securely, ensuring not to overtighten.



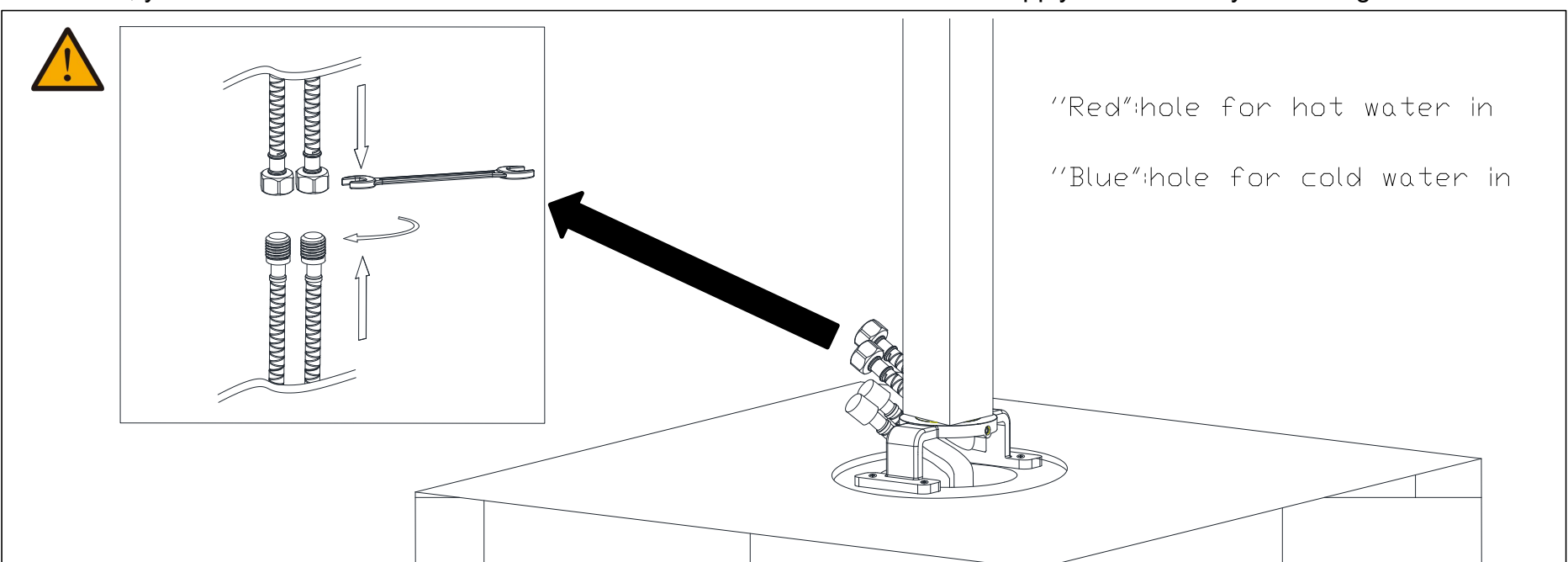
5. Slide the flange cover upward from below onto the straight pipe. Then, align and securely tighten the base bracket onto the straight pipe by threading it in place.



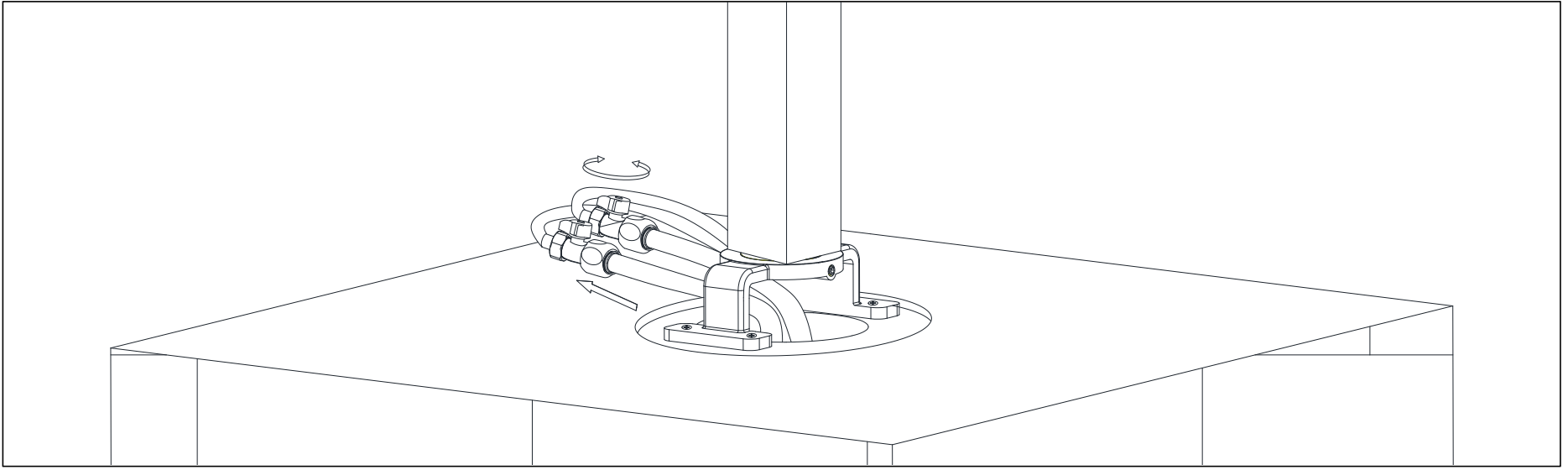
5.1 After assembling the faucet, set aside the hot and cold water supply hoses along with the two extension tubes. Align the faucet bracket with the mounting holes and secure it in place by driving the screws with an electric drill.



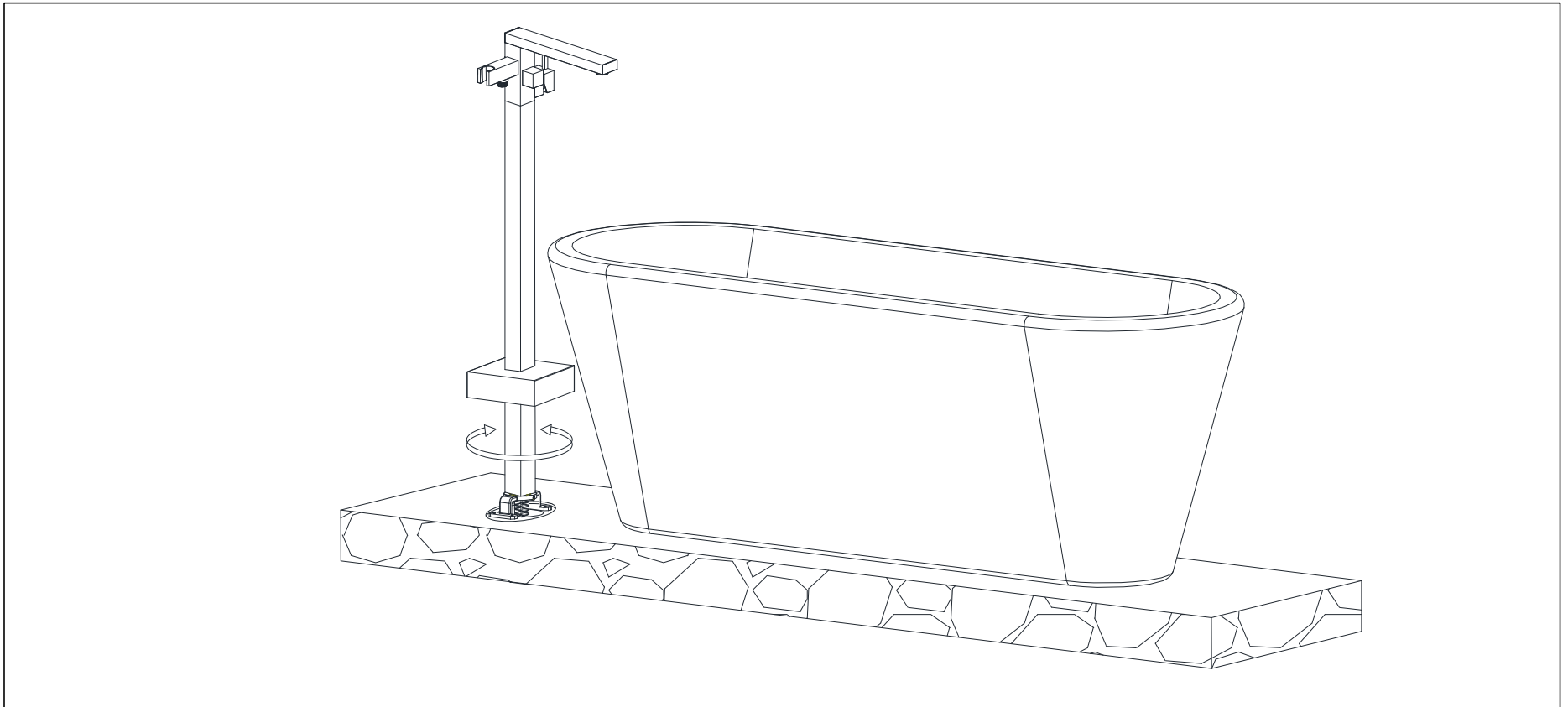
5.2 First, remove the G1/2 male thread protective covers from the two extension tubes. Next, connect the hot and cold water supply hoses to the extension tubes and securely tighten the nuts using a wrench. (Helpful Tip: Refer to the diagram on the left for guidance on connecting the water supply hoses and extension tubes.) Note: The extension tubes are optional. If they are not required for installation, you can omit them and connect the bathtub faucet's hot and cold water supply hoses directly to the angle valves.



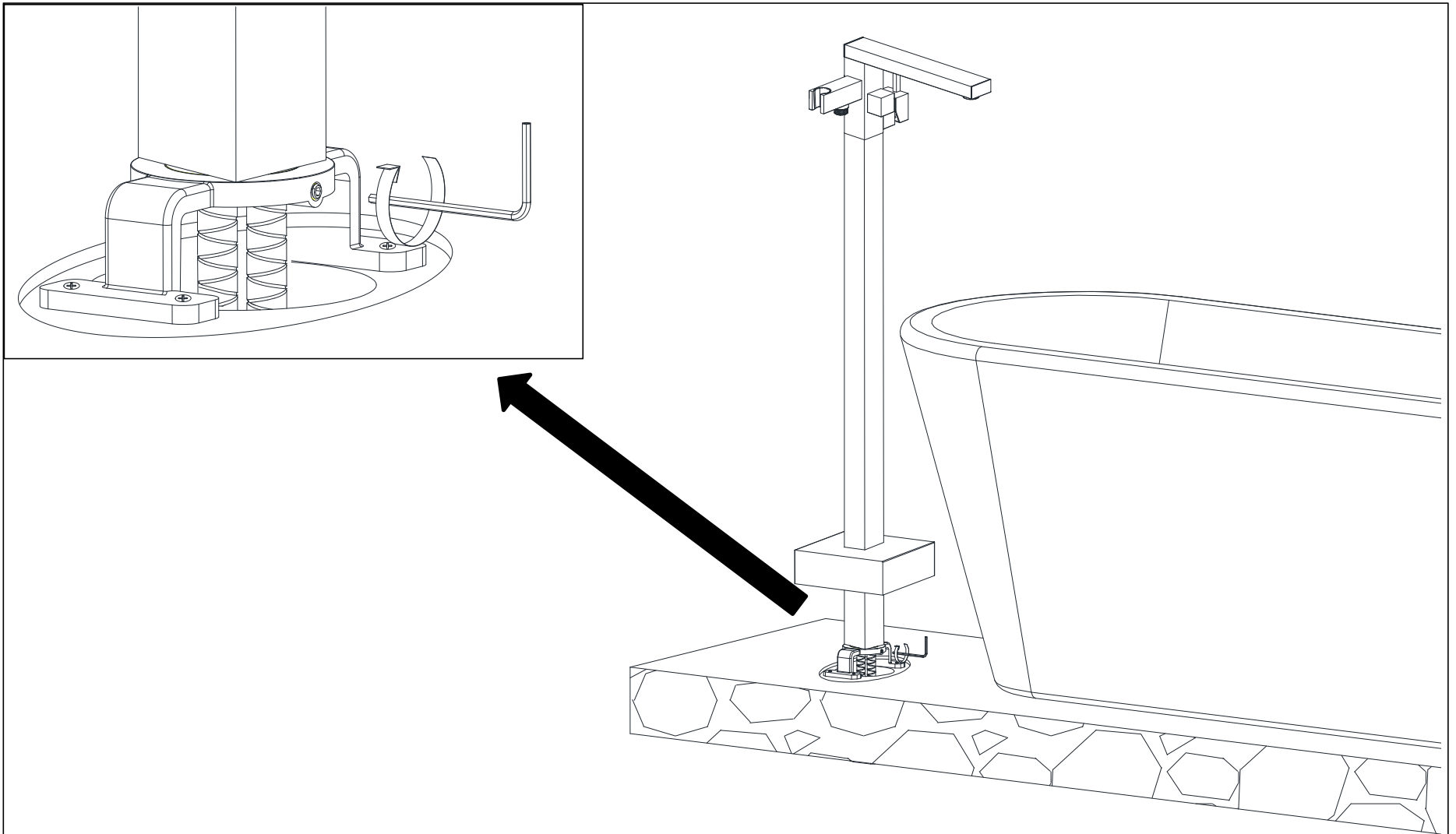
5.3 After making the connections, extend the angle valve, open the angle valve to turn on the water supply, recheck all connections for leaks, then retract the angle valve and supply hoses back into the support board.



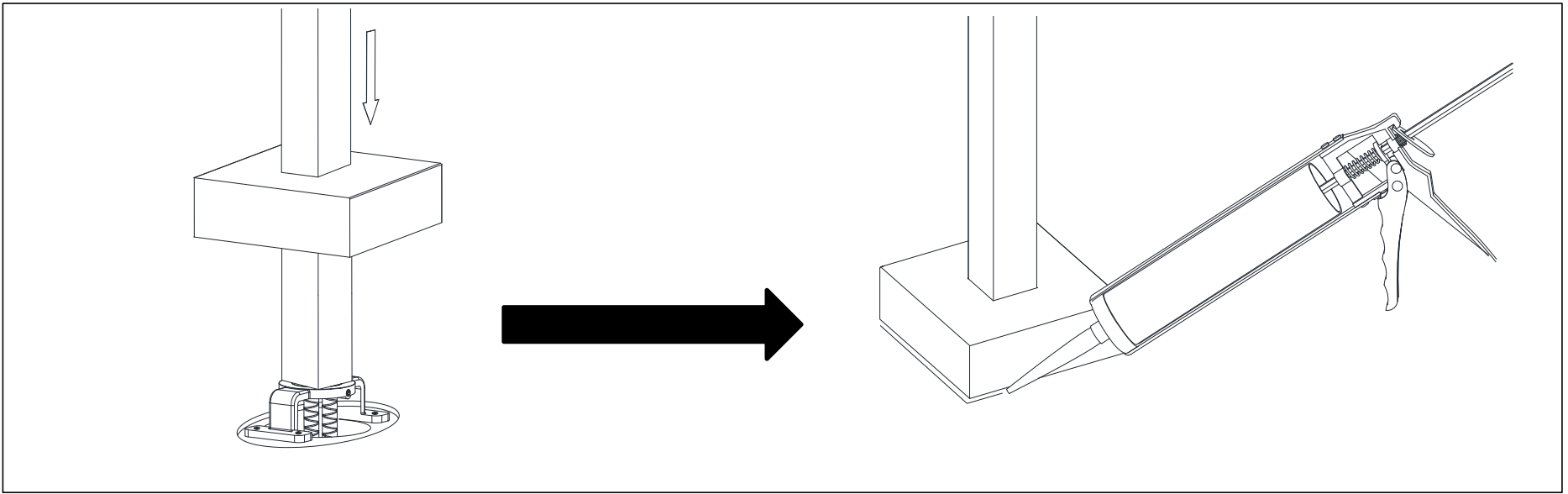
5.4 Rotate the support pipe on the base to adjust the bathtub faucet to the desired orientation, aligning it with the position of the bathtub.



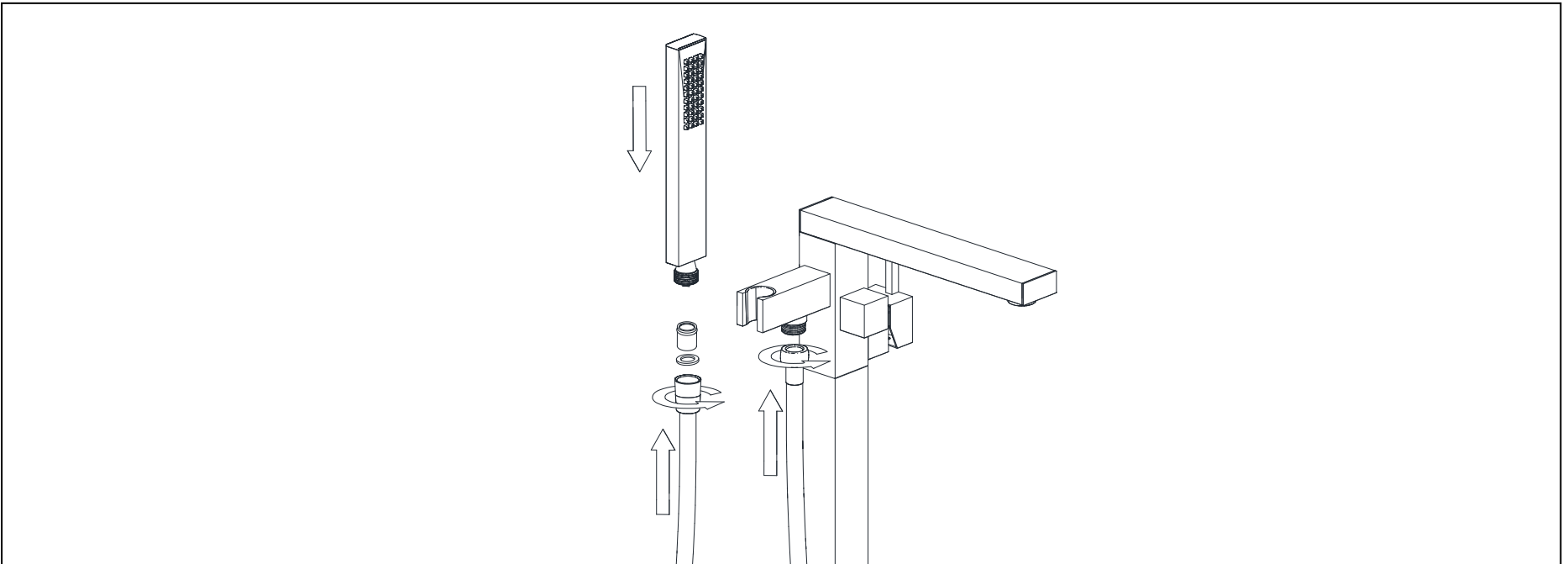
5.5. Use an Allen wrench to tighten the set screws on the base to secure it to the straight tube.



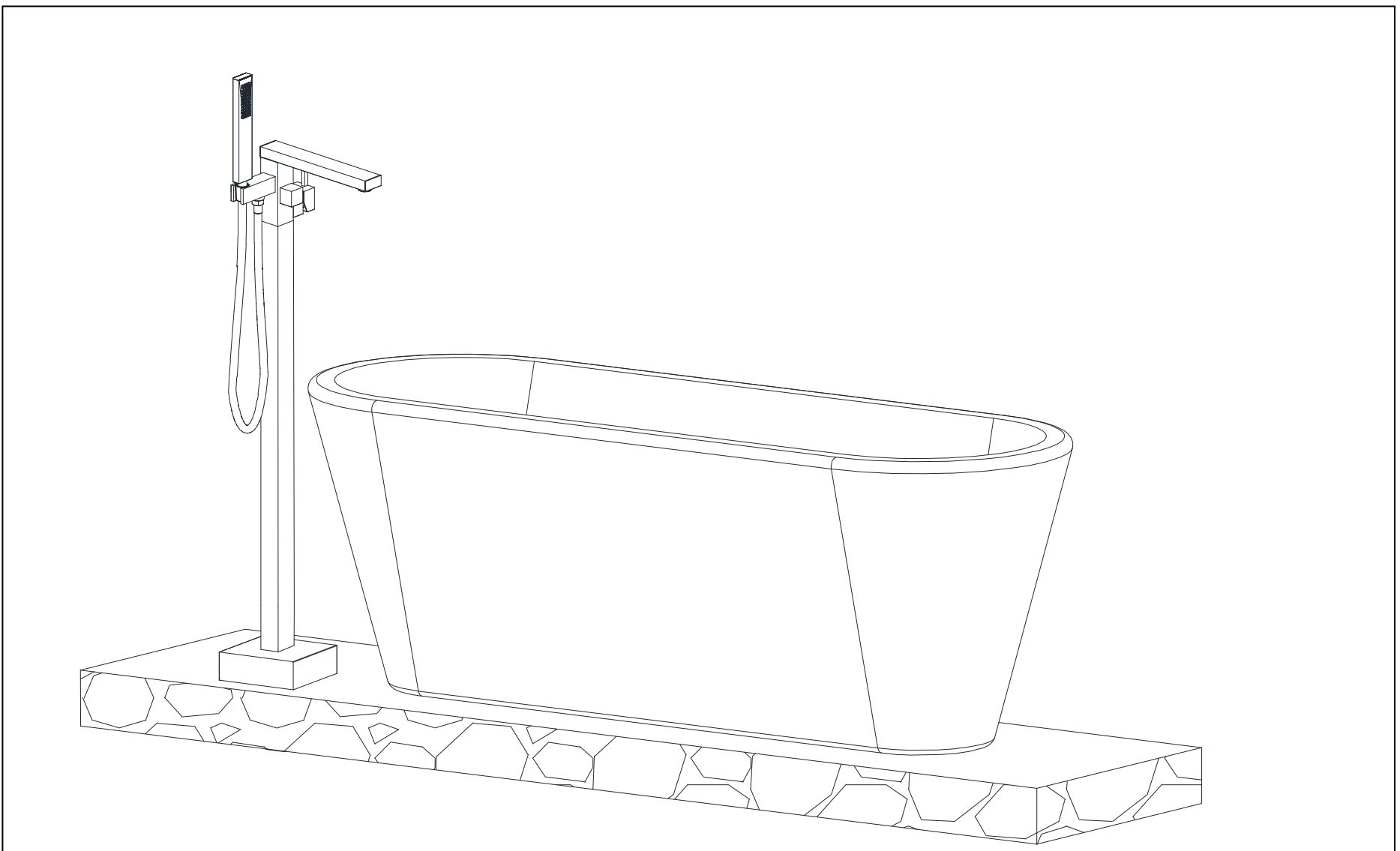
5.6 Slide the protective cover downward until it is fully seated, then apply silicone evenly along the edge to ensure a proper seal.



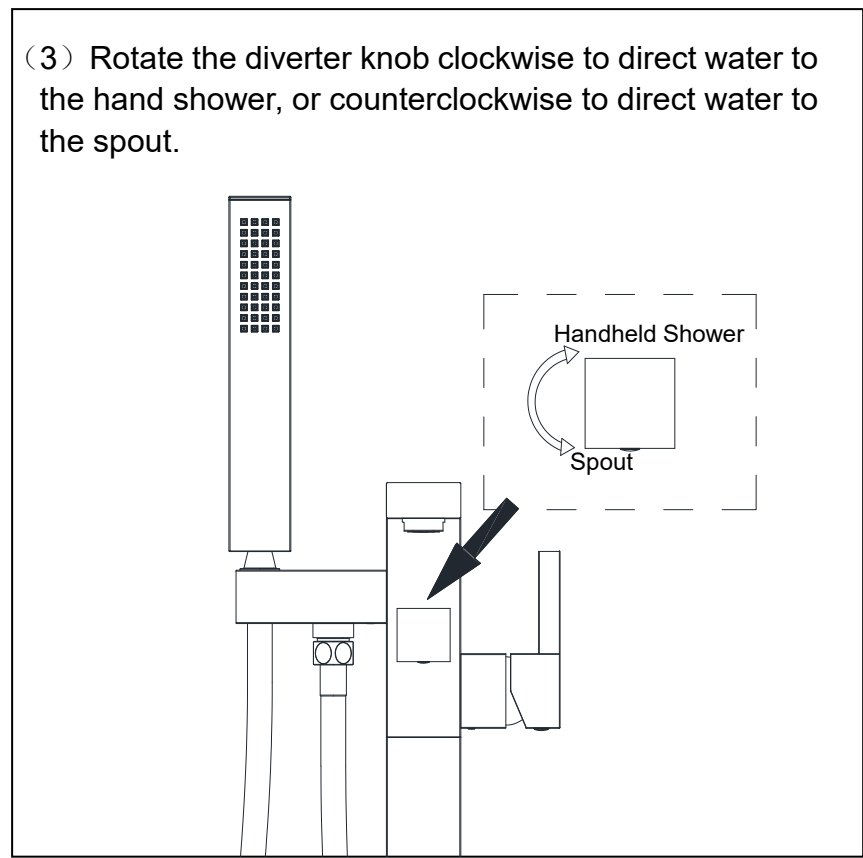
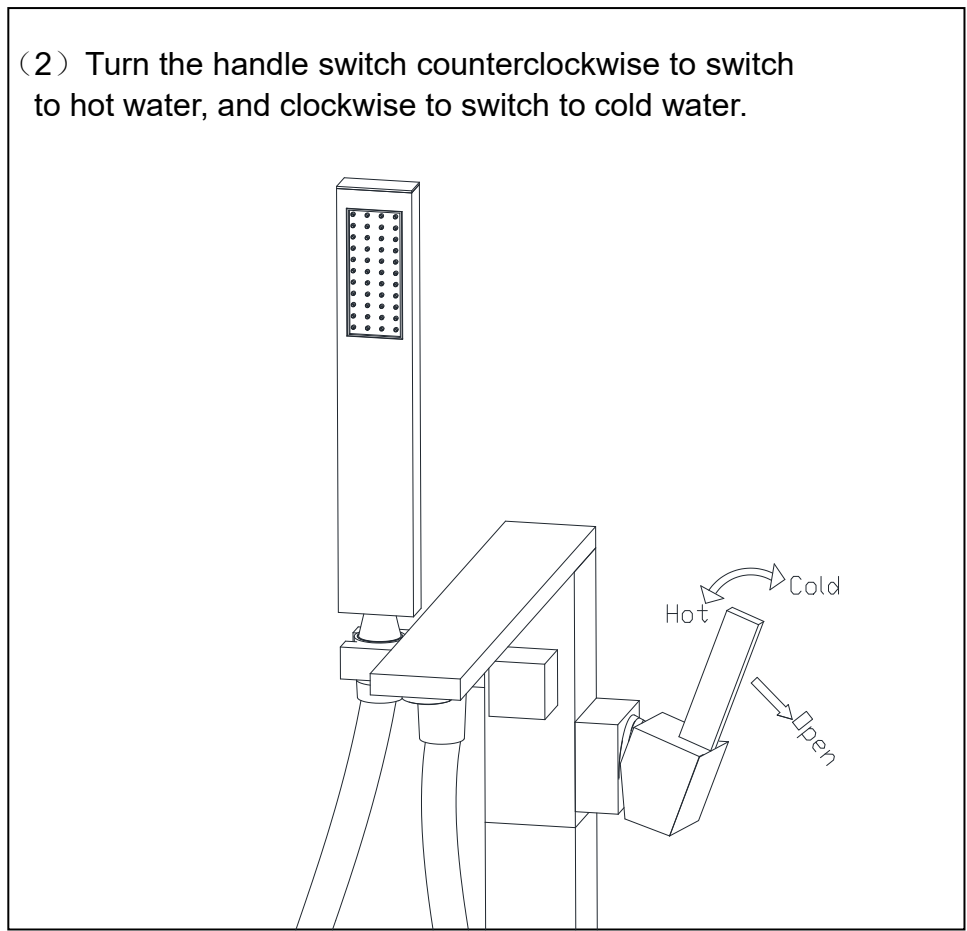
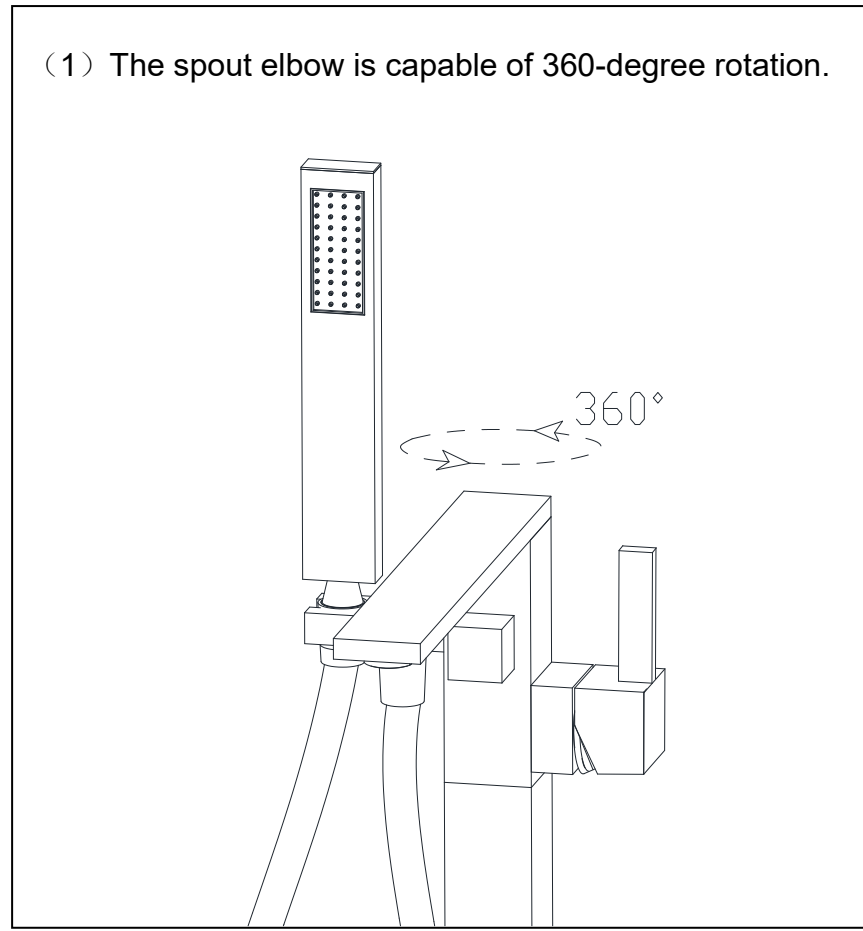
5.7 Attach one end of the shower hose to the handheld shower connector and the other end to the faucet. Securely tighten the connections using a wrench, ensuring not to overtighten.



6. INSTALLATION COMPLETE



7. Instructions for using the faucet.



8. INSPECTION

8.1 Turn on the hot and cold water supplies, and check all connections to ensure there are no leaks.

INSTALLATION COMPLETED



North America	Asia	Europe
SUMERAIN INTERNATIONAL GROUP INC	HONGKONG SUMERAIN SANITARY INDUSTRY CO., LIMITED	SUMERAIN EUROPE SUPPORT TEAM
Add: 1226 NORTH KING ST NUM 522 WILMINGTON, DE 19801 United States	Add: FLAT/RM 3B 3/F BANK TOWER NOS.351&353 KING'S ROAD NORTH POINT,HONGKONG	Add: Flottwellstr.15 10785 Berlin, Deutschland
Tel: +1(866)203-0866	Tel: +86-750-2731579	Tel: +49 (0)30/23975898
E-mail: supports@sumerain.us	E-mail: supports@sumerain.com	E-mail: de@sumerain.com