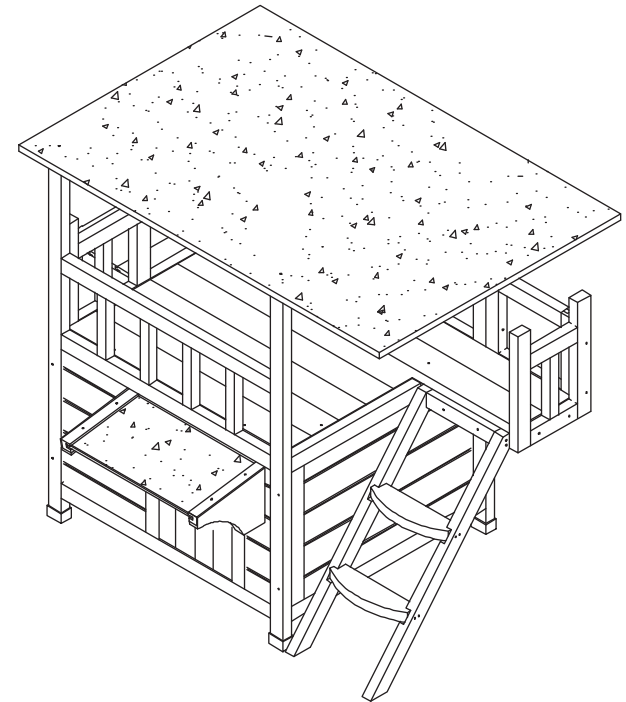


ASSEMBLY INSTRUCTIONS

PLEASE RETAIN THESE INSTRUCTIONS FOR FUTURE USE



TIME ASSEMBLE : 30-60 minutes



NUMBER OF PERSON: 2

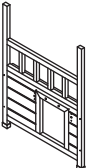


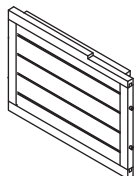
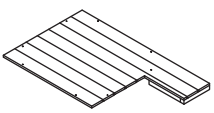
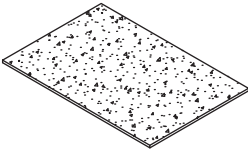
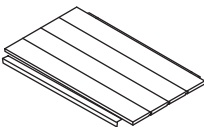
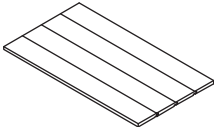
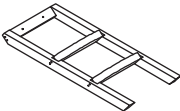
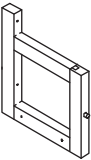
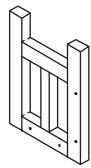
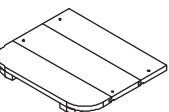
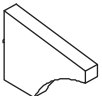
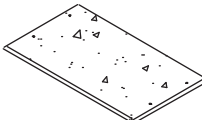
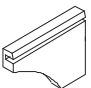
Greeting!
So here I am

your new pet house

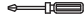
- ▶ Thanks for letting me be a home for your furry friend(s).
- ▶ They'll be cozy and protected from the weather when they're with me.
- ▶ Just remember to take care of me too, so I can last a long time.
- ▶ When you first get me, you might smell a funny smell. Don't worry, it's not dangerous.
- ▶ Just let me air out for a few days and the smell will go away.
- ▶ Be careful when you're putting me together because some of my parts can be sharp or heavy.
- ▶ Make sure to start by loosely putting in screws, and then tighten them all before using me.
- ▶ If you notice anything broken or missing, stop using me until it's fixed, and please follow the instructions from the maker so your warranty stays good.
- ▶ You can use me both inside and outside, but if you put me outside, make sure to give me an extra cover to keep me from getting moldy.
- ▶ I like to be on a level surface so my doors work smoothly.
- ▶ Keep me away from fire and dangerous chemicals.
- ▶ Clean me with a damp, soapy sponge without corrosive agents.
- ▶ Dry me with a soft, clean, dry cloth.
- ▶ Do not use a high pressure cleaner on me.
- ▶ Do not use bleach, acids, solvents, or abrasive cleaners on me.
- ▶ Check that all my bolts, screws, and knobs are tight every 90 days.

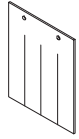
ASSEMBLY INSTRUCTION

Tool Required:  Electric Drill  Phillips Screwdriver

		
① Front panel	② Back panel	③ Left panel
		
④ Right panel	⑤ Layer panel	⑥ Roof
		
⑦ Bottom panel	⑧ Bottom panel	⑨ Ramp
		
⑩ Ramp protector	⑪ Ramp protector	⑫ Platform panel
		
⑬ x2 Platform panel supporter	⑭ Small roof	⑮ Small roof left supporter

ASSEMBLY INSTRUCTION





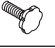

Tool Required:  Electric Drill  Phillips Screwdriver



①⑥ Door curtain

①⑦ Small roof right supporter

Parts Description

	A	M3. 5*45	22PCS+1
	B	M3. 5*55	2PCS+1
	C	M3. 0*23	16PCS+1
	D	M3. 5*30	4PCS+1
	E	M4. 0*17	2PCS
	F	M3. 5*35	5PCS+1



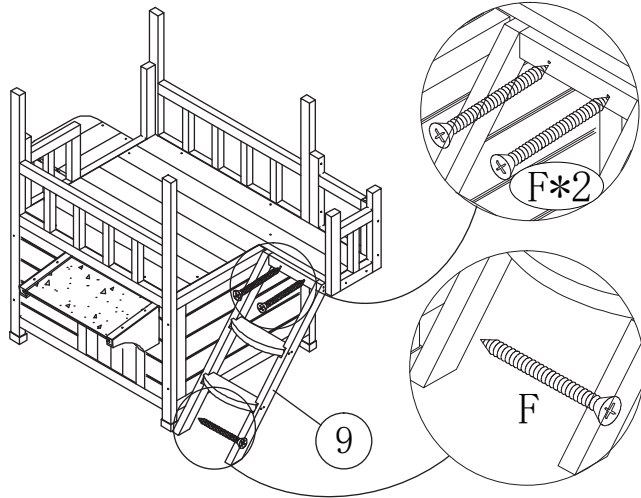
HELP CENTER

- ▶ Your full satisfaction is our FIRST priority
- ▶ We hope you enjoy it and have a good shopping experience.
- ▶ We are committed to resolve any situation when it does not meet your expectations.
- ▶ Please feel free to contact us through order detail page, we will get back to you and solve them within 24 hours.

ASSEMBLY INSTRUCTION

Tool Required:  Electric Drill  Phillips Screwdriver

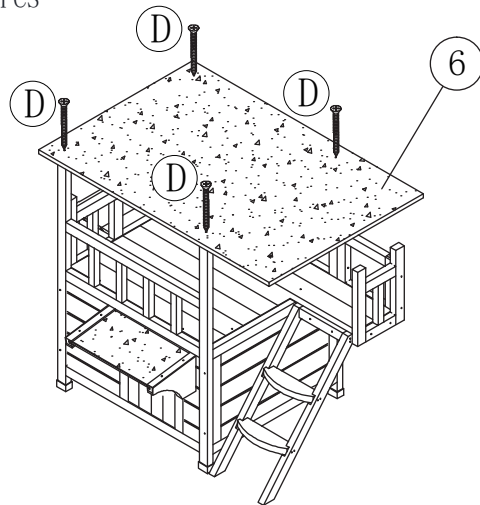
F M3.5*35 3PCS



Fix (9) Ramp with screws.

STEP 7

D M3.5*30 4PCS



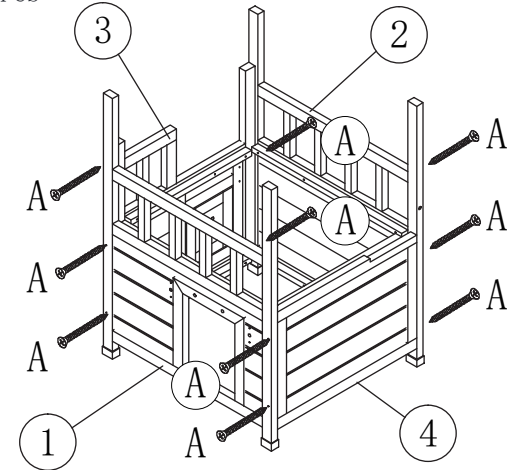
Fix (6) Roof with screws.

STEP 8

ASSEMBLY INSTRUCTION

Tool Required:  Electric Drill  Phillips Screwdriver

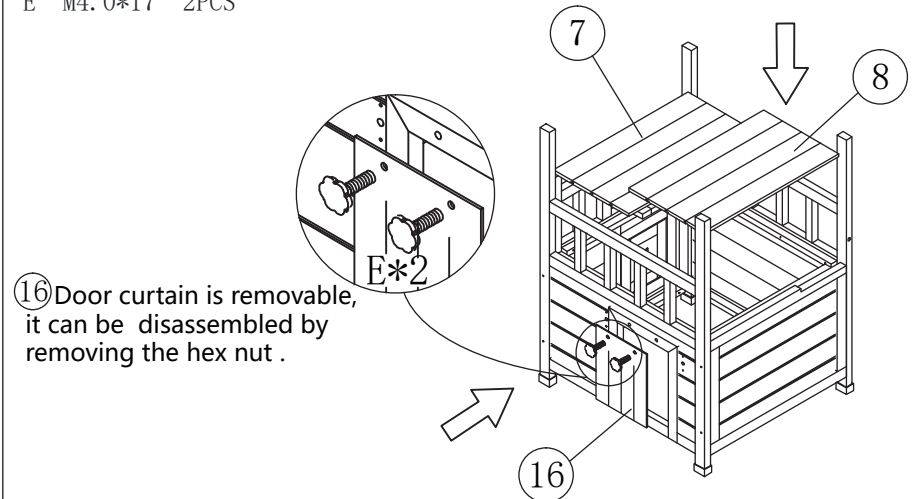
A M3.5*45 10PCS



Attach (1) Front panel, (2) Back panel, (3) Left panel, (4) Right panel together with screws.

STEP 1

E M4.0*17 2PCS



(16) Door curtain is removable, it can be disassembled by removing the hex nut.

Insert (7) and (8) Bottom panels, Fix (16) Door curtain with screws.

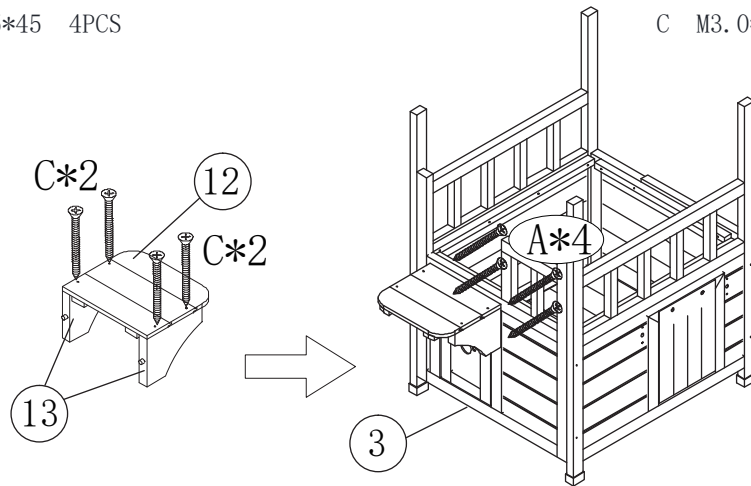
STEP 2

ASSEMBLY INSTRUCTION

Tool Required:  Electric Drill  Phillips Screwdriver

A M3.5*45 4PCS

C M3.0*23 4PCS

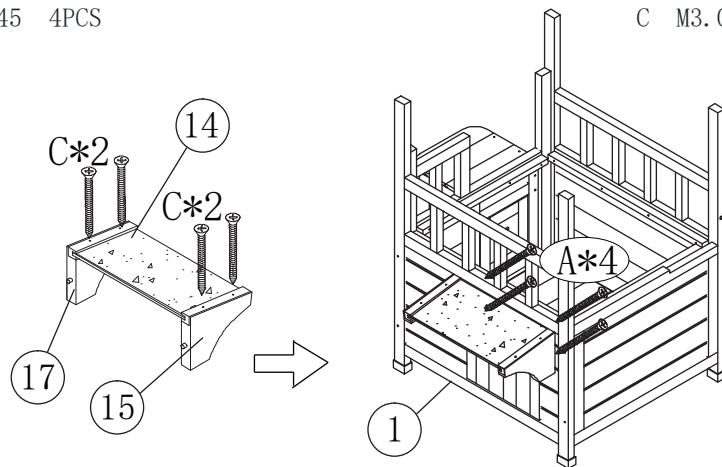


Fix ⑫ Platform panel on ⑬x2 Platform panel supporter with screws, then fix it on ③ Left panel with screws.

STEP 3

A M3.5*45 4PCS

C M3.0*23 4PCS



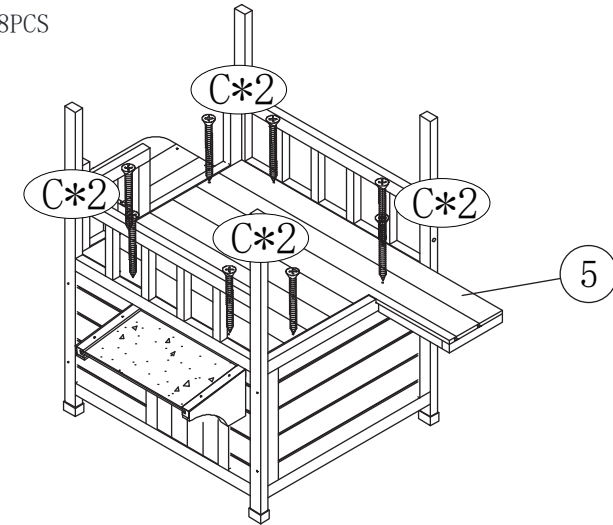
Fix ⑭ Small roof on ⑮ Small roof left supporter and ⑰ Small roof right supporter with screws, then fix it on ① Front panel with screws.

STEP 4

ASSEMBLY INSTRUCTION

Tool Required:  Electric Drill  Phillips Screwdriver

C M3.0*23 8PCS

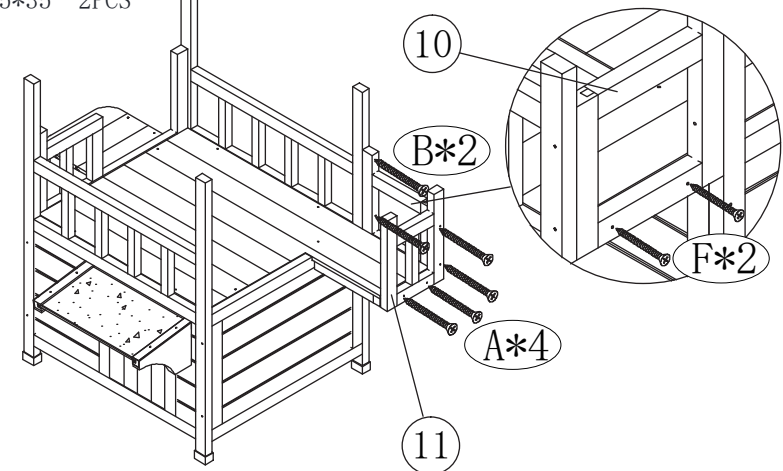


Insert ⑤ Layer panel and fix it with screws.

STEP 5

A M3.5*45 4PCS
F M3.5*35 2PCS

B M3.5*55 2PCS



Fix ⑩ and ⑪ Ramp protectors with screws.

STEP 6