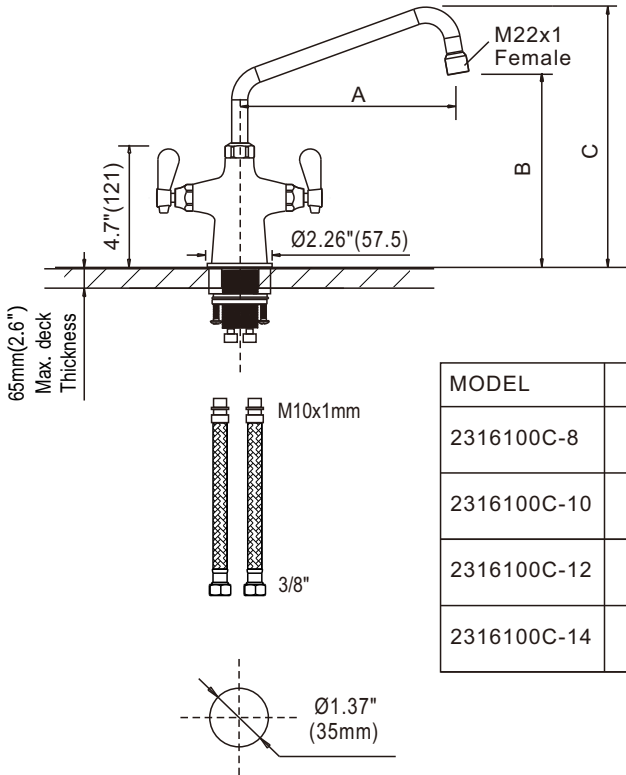


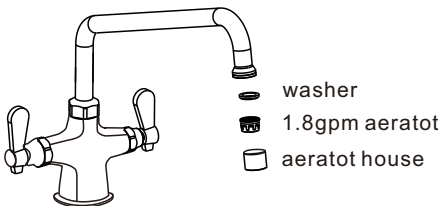
Installation instructions

Pantry and Workboard Faucets

2318100C-10

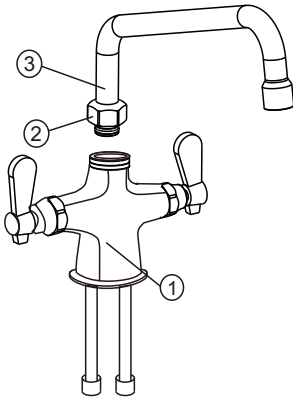


MODEL	A	B	C
2316100C-8	8" (200)	6.6" (168)	9.4" (240)
2316100C-10	10" (250)	8" (200)	10.4" (265)
2316100C-12	12" (300)	8.2" (208)	11" (280)
2316100C-14	14" (355)	8.6" (218)	11.5" (292)

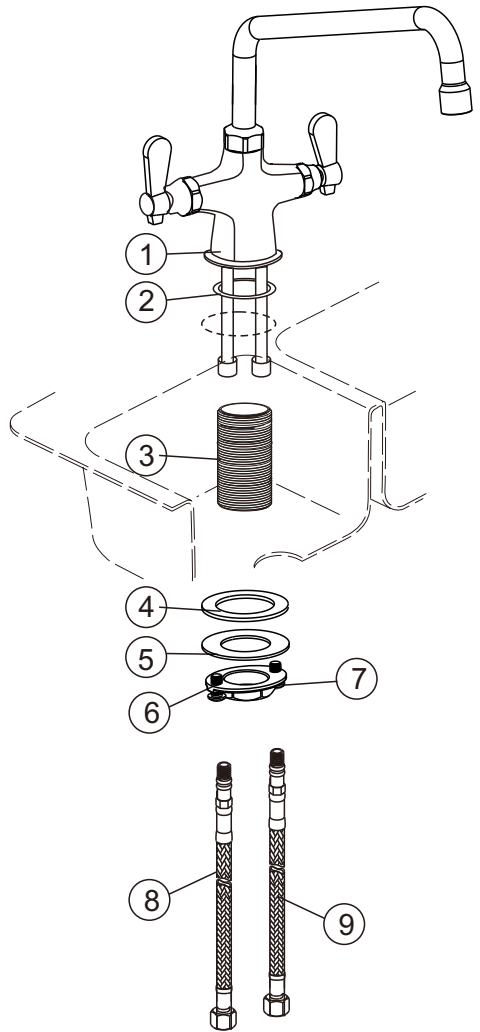


With 1.8 gpm are compliant with California water efficiency regulations, Complies with California Proposition 65 and with the Federal Safe Drinking Water Act.

In areas with extremely low water pressure causing the faucet water flow to be unsatisfactory, replace the 2.2 gpm aerator to improve the water flow in the faucet.



Put the swing nozzle (3) into the body (1), screw the nut (2).



1. Screw flexible hoses (8) under the body (1)
2. Insert O-ring washer (2) under base angle (1)
3. Insert threaded rod (3) under body (1)
4. Screw flexible hoses (9) under the body (1)
5. Insert washer (4) and SS304 washer (5) through threaded rod (3)
6. Screw hexagonal lock nut (6) on to threaded rod (3) and tighten.
7. Screw the nut (6) with screws (7) to fix the faucet body (1)