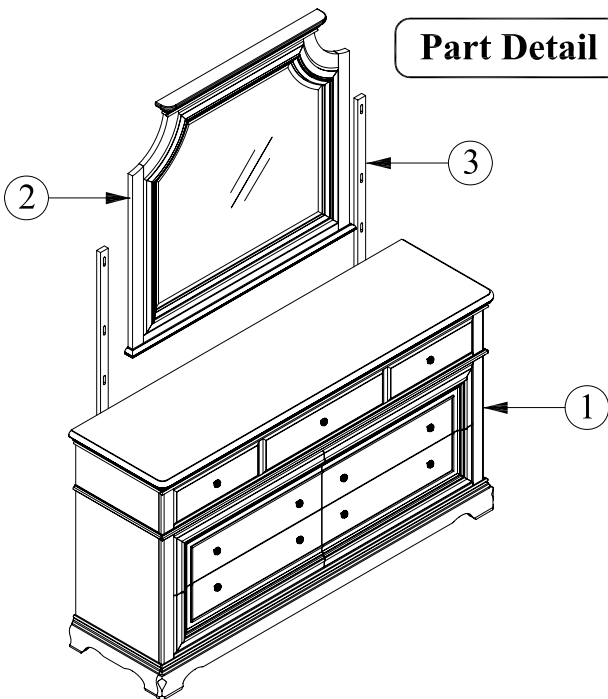


Assembly Instruction

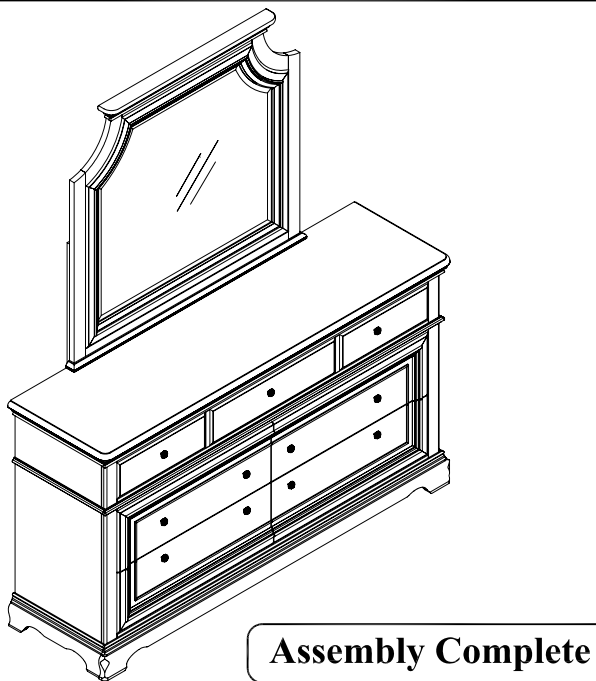
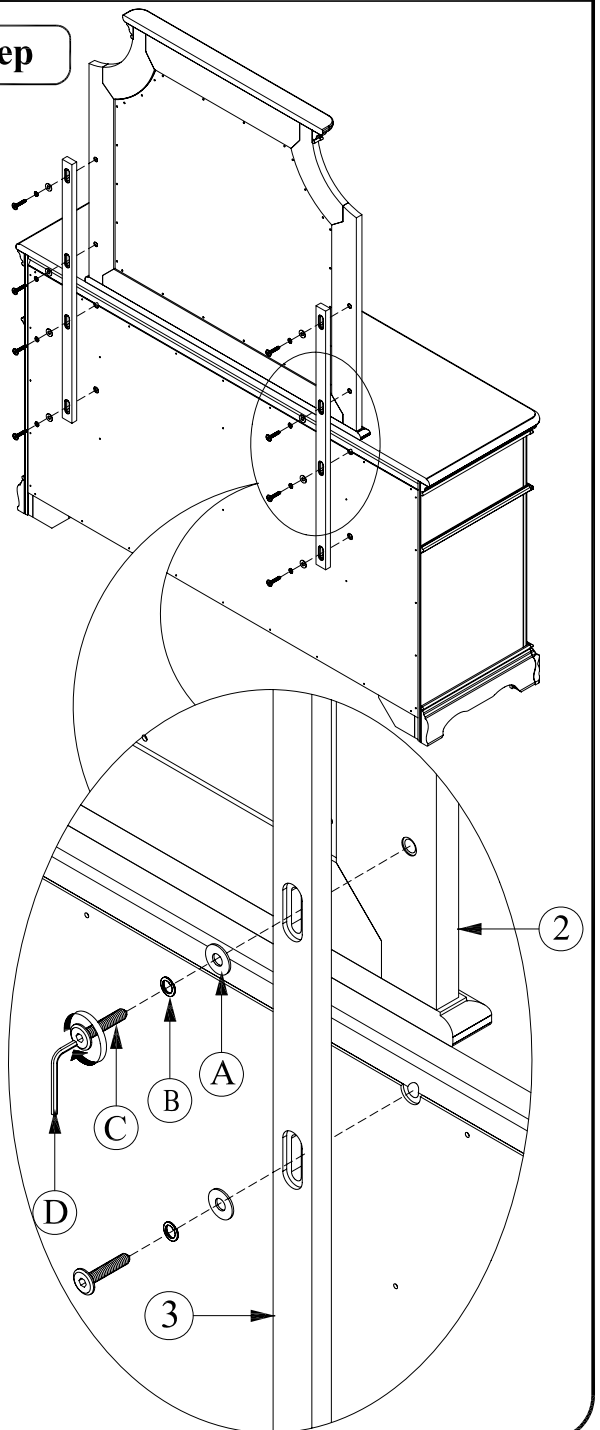
A. Component :	Qty
1. Dresser	1 Pc
2. Mirror	1 Pc
3. Support Mirrors	2 Pcs

B. Hardware :	Qty
A. Flat Washer $\text{Ø}8 \times \text{Ø}19 \text{ mm}$	8 Pcs
B. Lock Washer 5/16"	8 Pcs
C. Bolt $\text{Ø}5/16" \times 35 \text{ mm}$	8 Pcs
D. Allen Key 5 mm	1 Pc

Part Detail



Step



Assembly Complete

Assembly Instruction

A. Component :

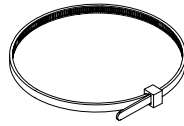
1. Dresser

Qty

1 Pc



A



C



B



D



E

B. Hardware :

Qty

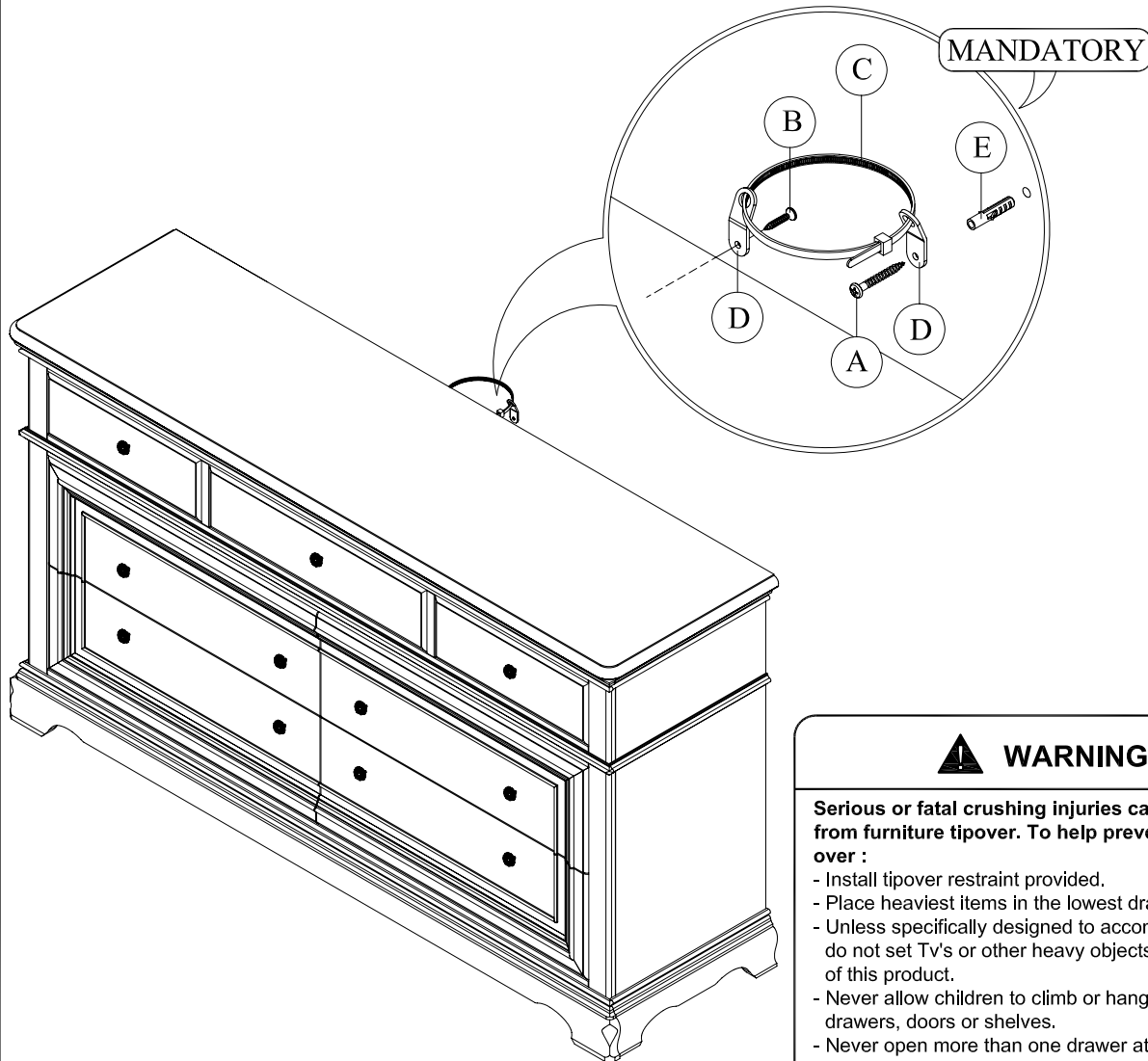
A. Screw Ø8 x 2" 1 Pc

B. Screw Ø8 x 5/8" 1 Pc

C. Restrain Strap 1 Pc

D. Metal Tabs 2 Pcs

E. Plastic Wall Anchor 1 Pc



WARNING

Serious or fatal crushing injuries can occur from furniture tipover. To help prevent tip-over :

- Install tipover restraint provided.
- Place heaviest items in the lowest drawers.
- Unless specifically designed to accommodate, do not set Tv's or other heavy objects on top of this product.
- Never allow children to climb or hang on drawers, doors or shelves.
- Never open more than one drawer at a time (OR)
- Do not defeat or remove the drawer interlock system.

Use of tip over restraints may only reduce, but not eliminate the risk of tip-over.

This is a permanent label. Do not attempt to remove.

Assembly Instruction

A. Component :

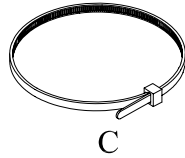
1. Chest

Qty

1 Pc



A



C



B



D



E

B. Hardware :

Qty

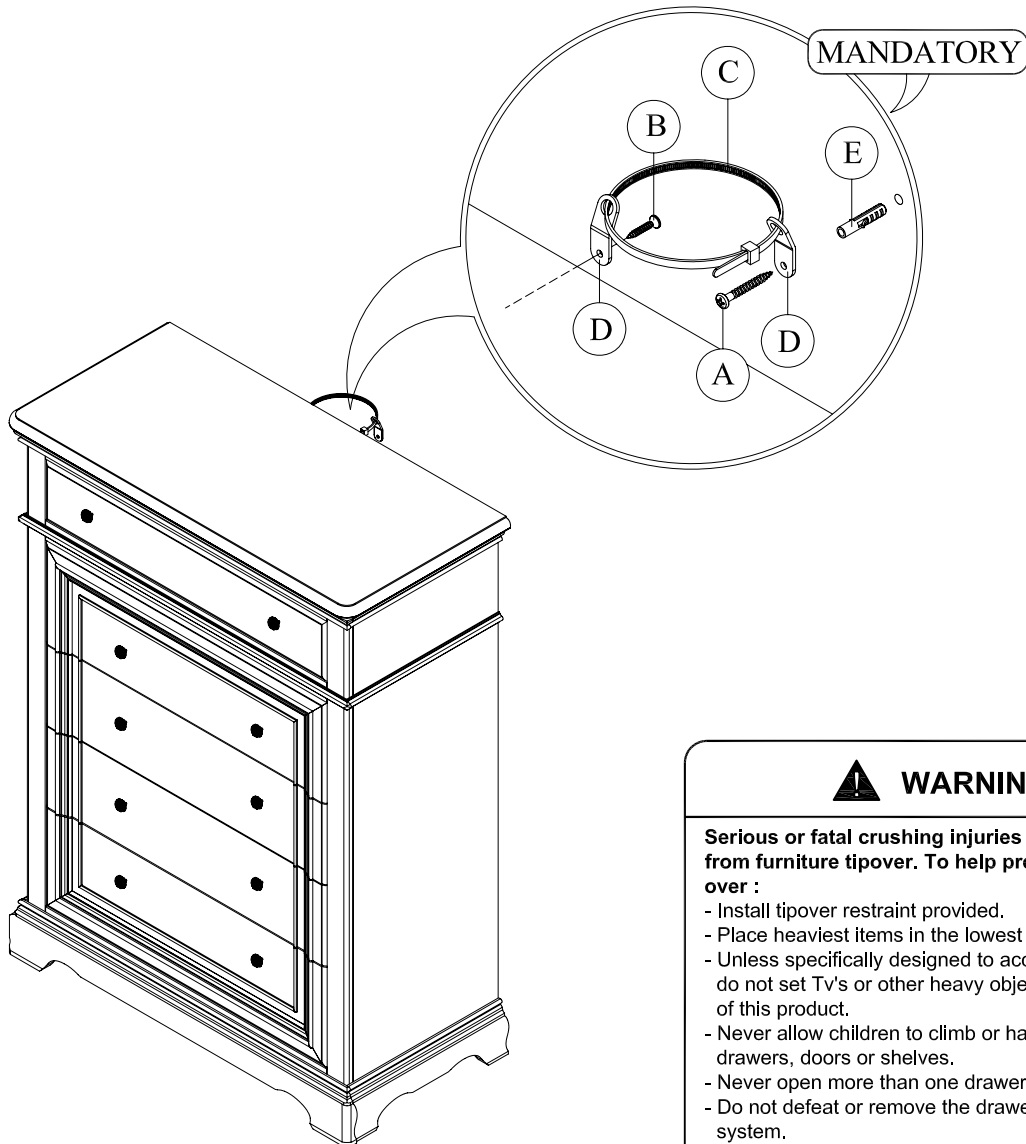
A. Screw Ø8 x 2" 1 Pc

B. Screw Ø8 x 5/8" 1 Pc

C. Restrain Strap 1 Pc

D. Metal Tabs 2 Pcs

E. Plastic Wall Anchor 1 Pc



WARNING

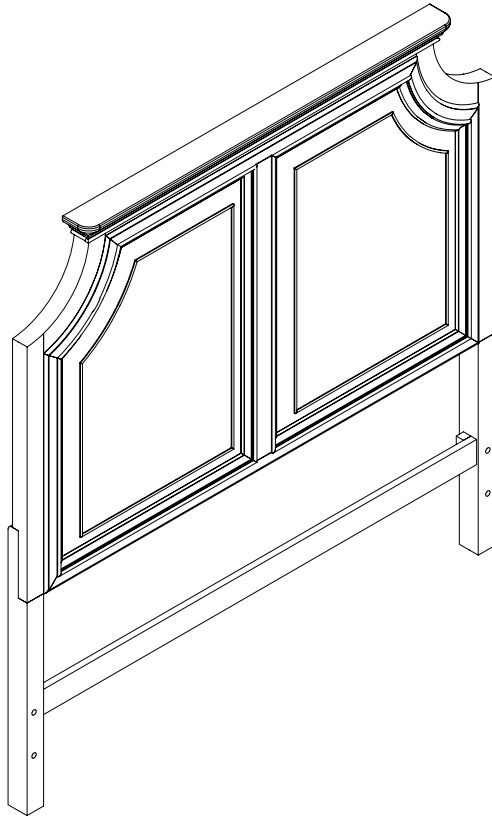
Serious or fatal crushing injuries can occur from furniture tipover. To help prevent tip-over :

- Install tipover restraint provided.
- Place heaviest items in the lowest drawers.
- Unless specifically designed to accommodate, do not set TV's or other heavy objects on top of this product.
- Never allow children to climb or hang on drawers, doors or shelves.
- Never open more than one drawer at a time (OR)
- Do not defeat or remove the drawer interlock system.

Use of tip over restraints may only reduce, but not eliminate the risk of tip-over.





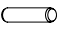
This is a permanent label. Do not attempt to remove.

Assembly Instruction
PANEL HEADBOARD

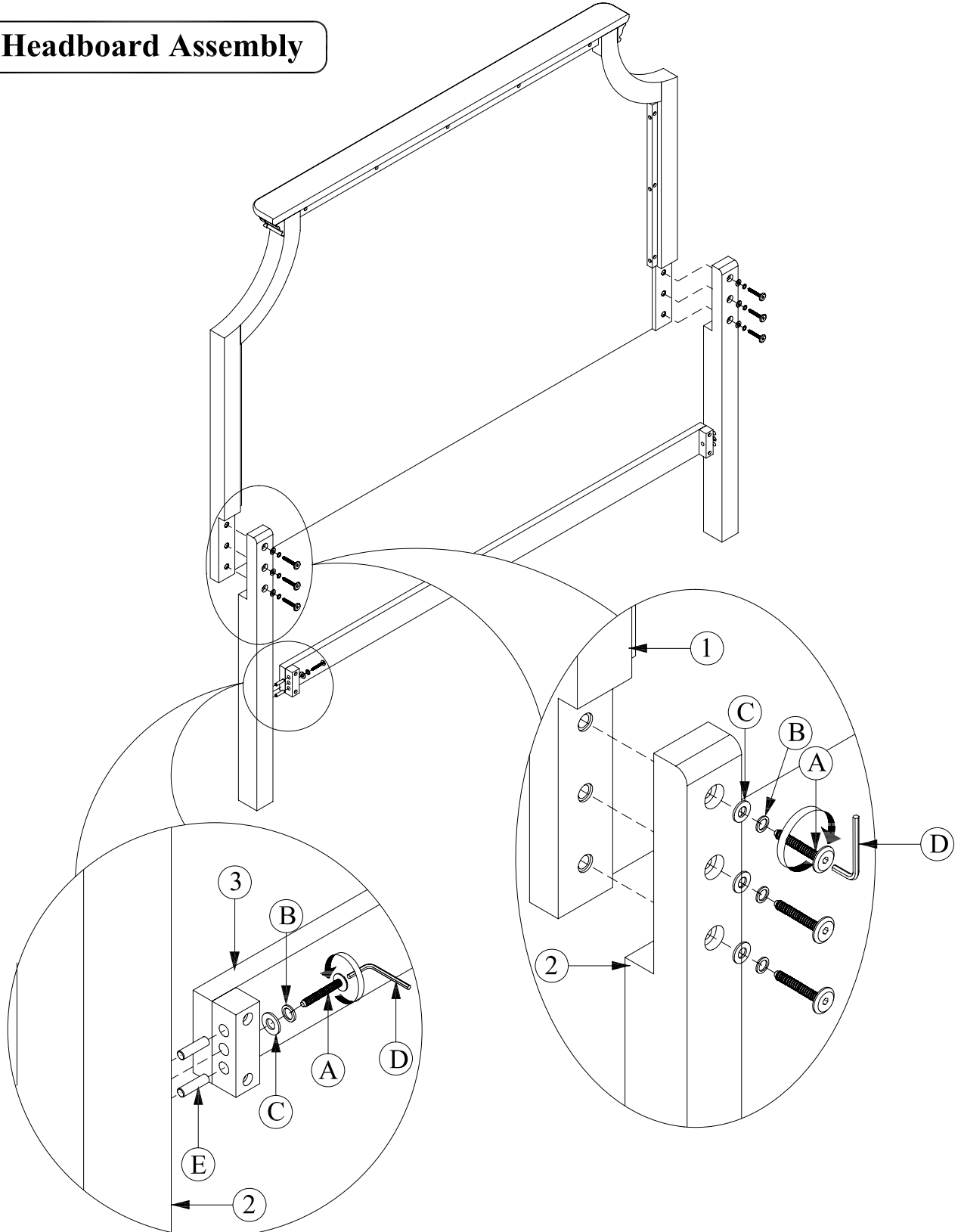


5/0 PANEL HEADBOARD

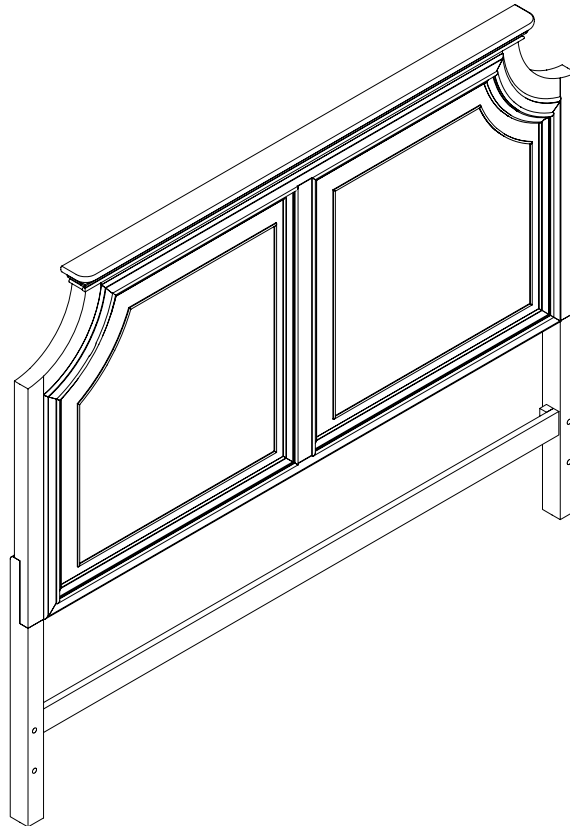
Assembly Instruction

A. Component :	Qty			B. Hardware :	Qty
1. Panel Headboard	1 Pc	A	B	A. Bolt 5/16" x 45 mm	8 Pcs
2. Headboard Legs	2 Pcs			B. Lock Washer 5/16"	8 Pcs
3. Stretcher	1 Pc	C	D	C. Flat Washer Ø8 x Ø19 mm	8 Pcs
				D. Allen Key 5 mm	1 Pc
		E		E. Dowel	4 Pcs

Headboard Assembly





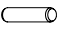


Assembly Instruction
PANEL HEADBOARD

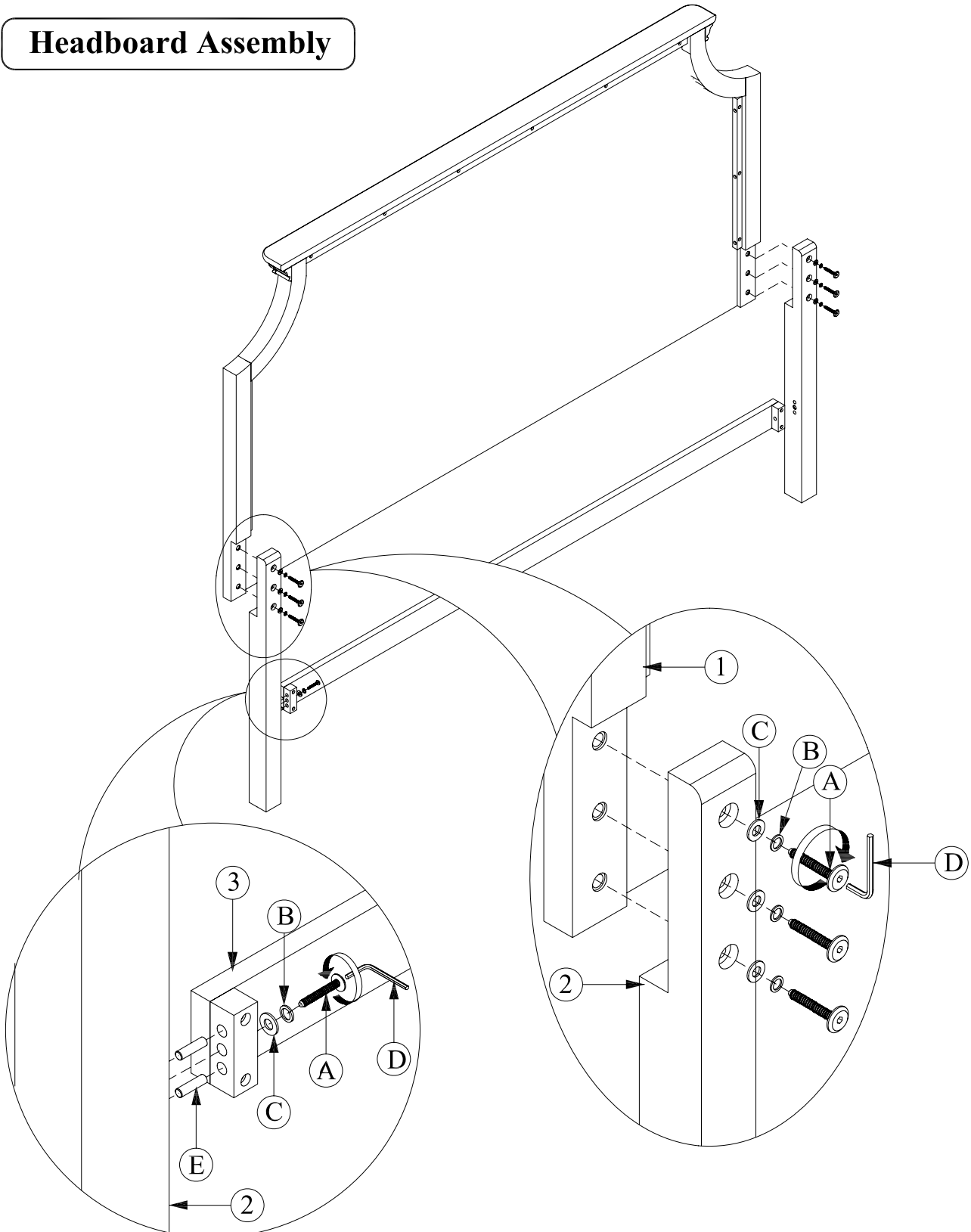


6/6 PANEL HEADBOARD

Assembly Instruction

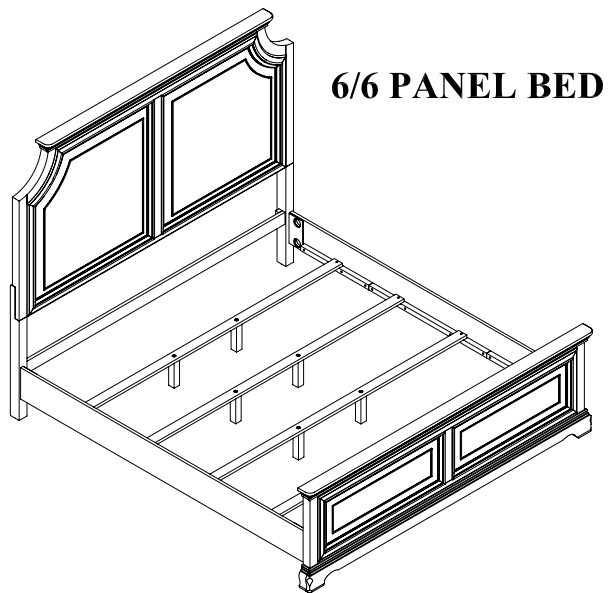
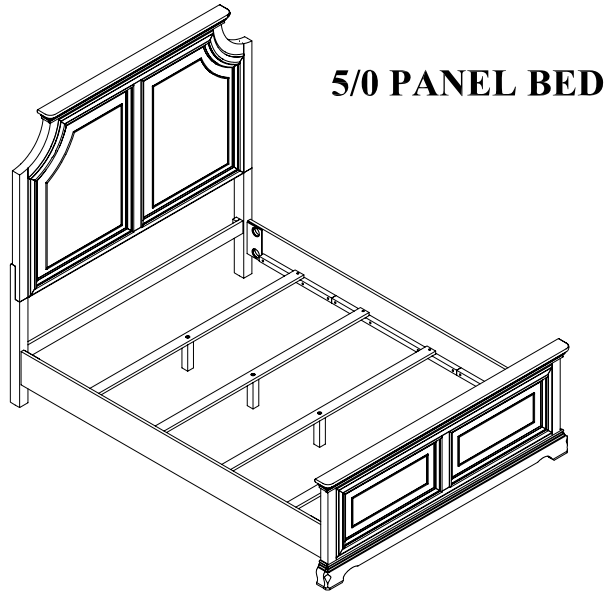
A. Component :	Qty			B. Hardware :	Qty
1. Panel Headboard	1 Pc	A	B	A. Bolt 5/16" x 45 mm	8 Pcs
2. Headboard Legs	2 Pcs			B. Lock Washer 5/16"	8 Pcs
3. Stretcher	1 Pc	C	D	C. Flat Washer Ø8 x Ø19 mm	8 Pcs
				D. Allen Key 5 mm	1 Pc
		E		E. Dowel	4 Pcs

Headboard Assembly

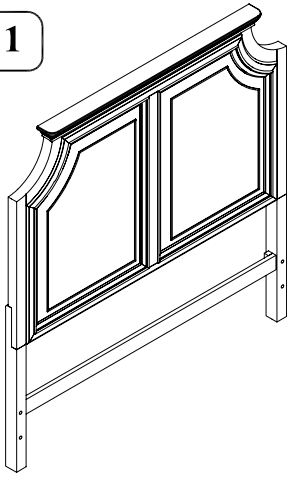


Assembly Instruction

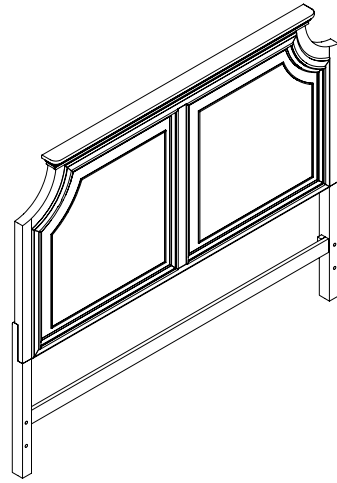
RAILS



Carton 1

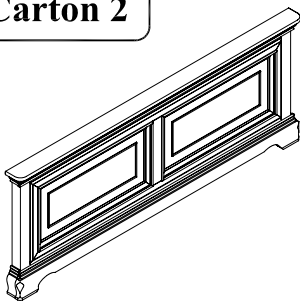


5/0 Panel Headboard...1 Pc

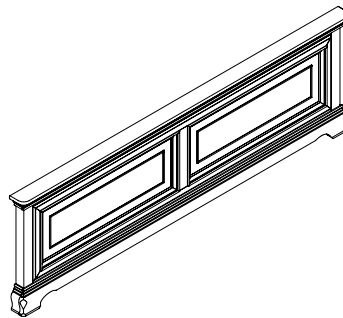


6/6 Panel Headboard...1 Pc

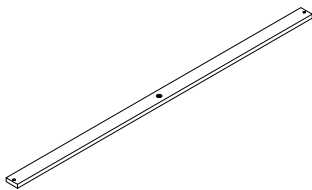
Carton 2



5/0 Panel Footboard...1 Pc



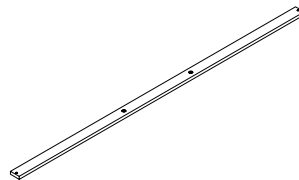
6/6 Panel Footboard...1 Pc



Slat...4 Pcs



Slat support...4 Pcs



Slat...4 Pcs

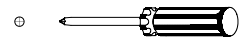


Slat support...8 Pcs

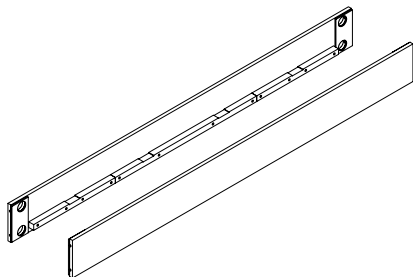
Hardware : Qty
 A. Screw Ø8 x 32 mm 8 Pcs



Tool Required :
 Screw Driver (not included)



Carton 3



5/0 - 6/6 Rail...2 Pcs

Hardware used rail : Qty
 B. Bolt Ø5/16" x 80 mm 8 Pcs
 C. Square Washer 5/16" 8 Pcs
 D. Nut 5/16" 8 Pcs
 E. Open-Head Wrench 13 mm 1 Pcs



B



C



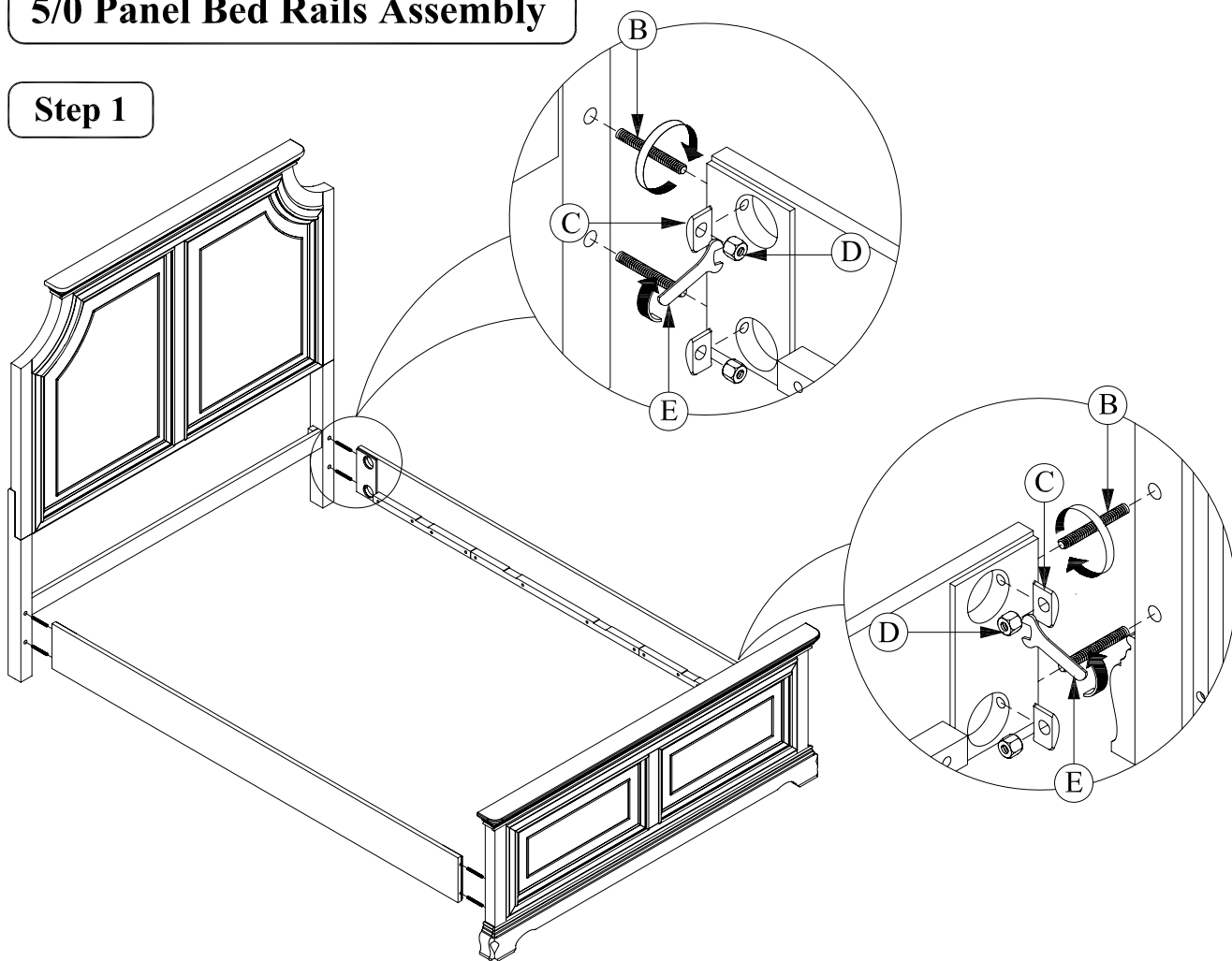
D



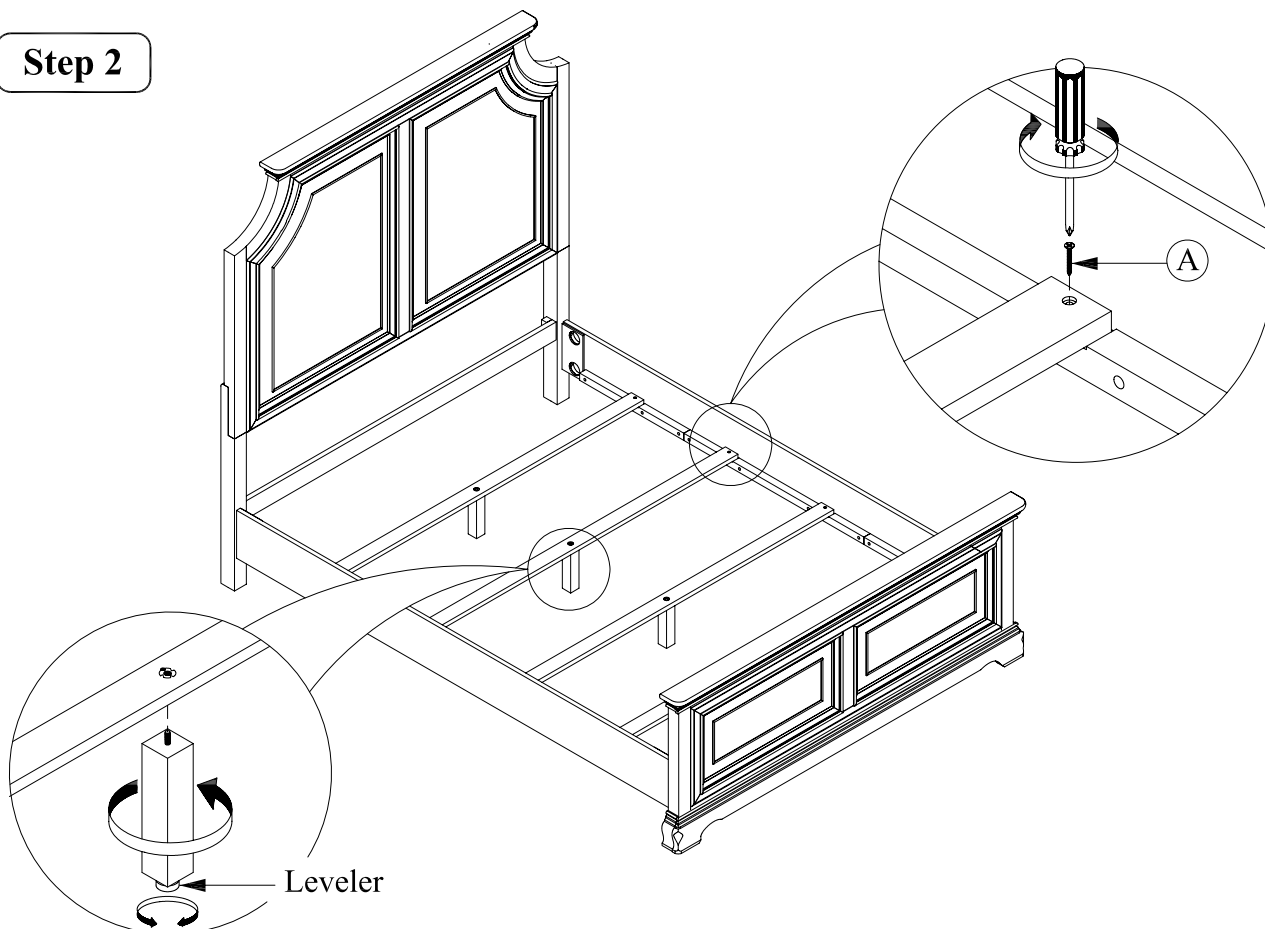
E

5/0 Panel Bed Rails Assembly

Step 1

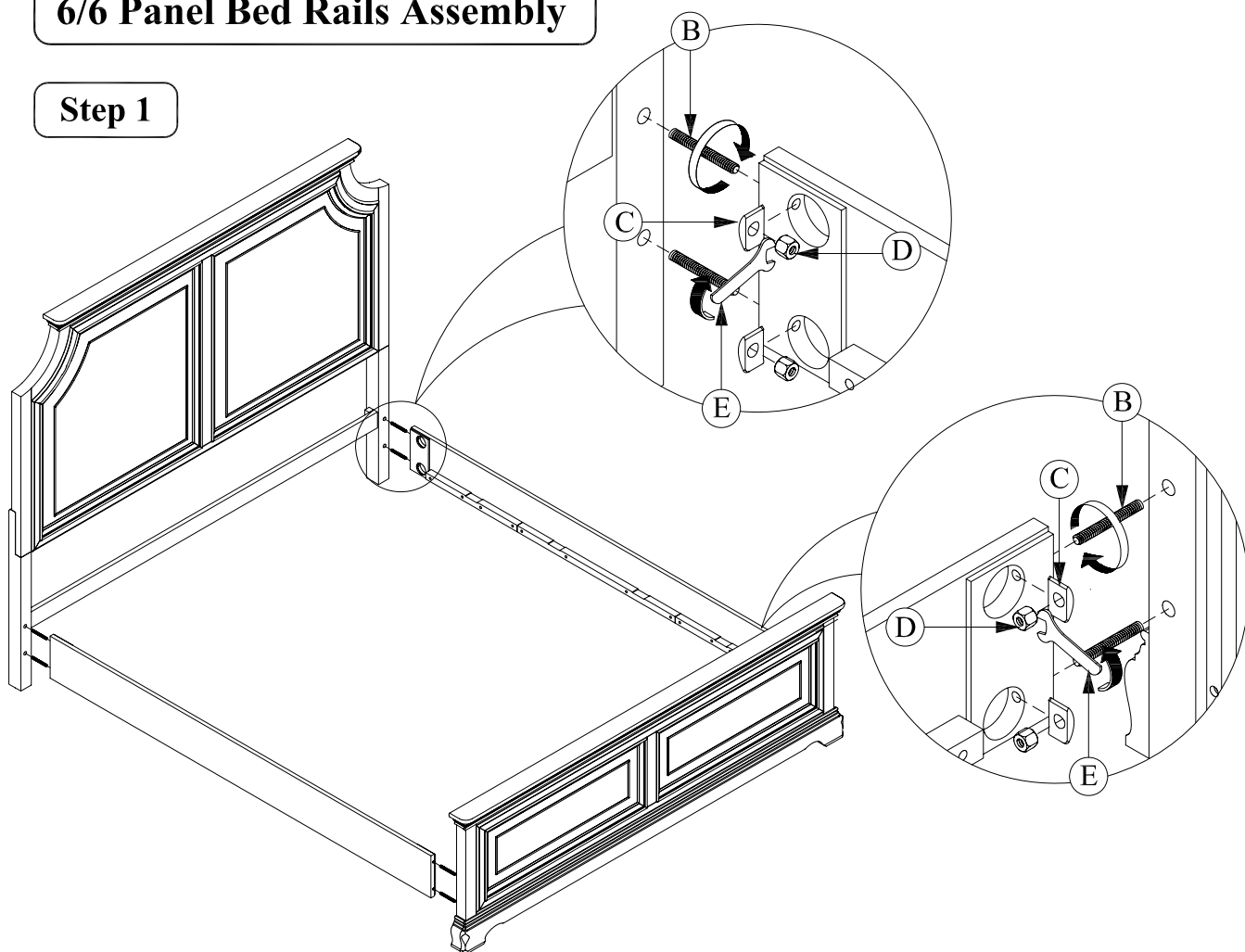


Step 2



6/6 Panel Bed Rails Assembly

Step 1



Step 2

