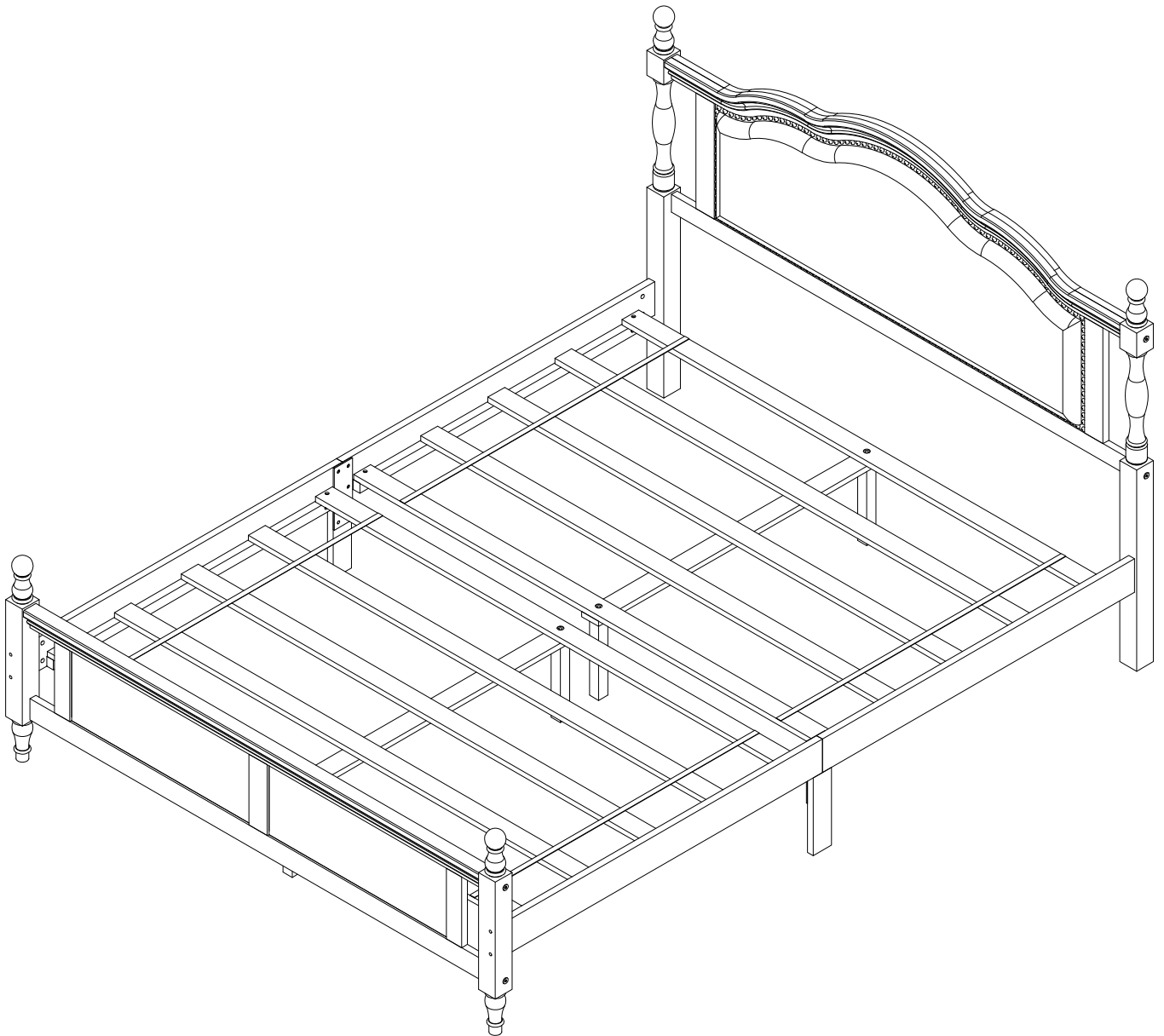


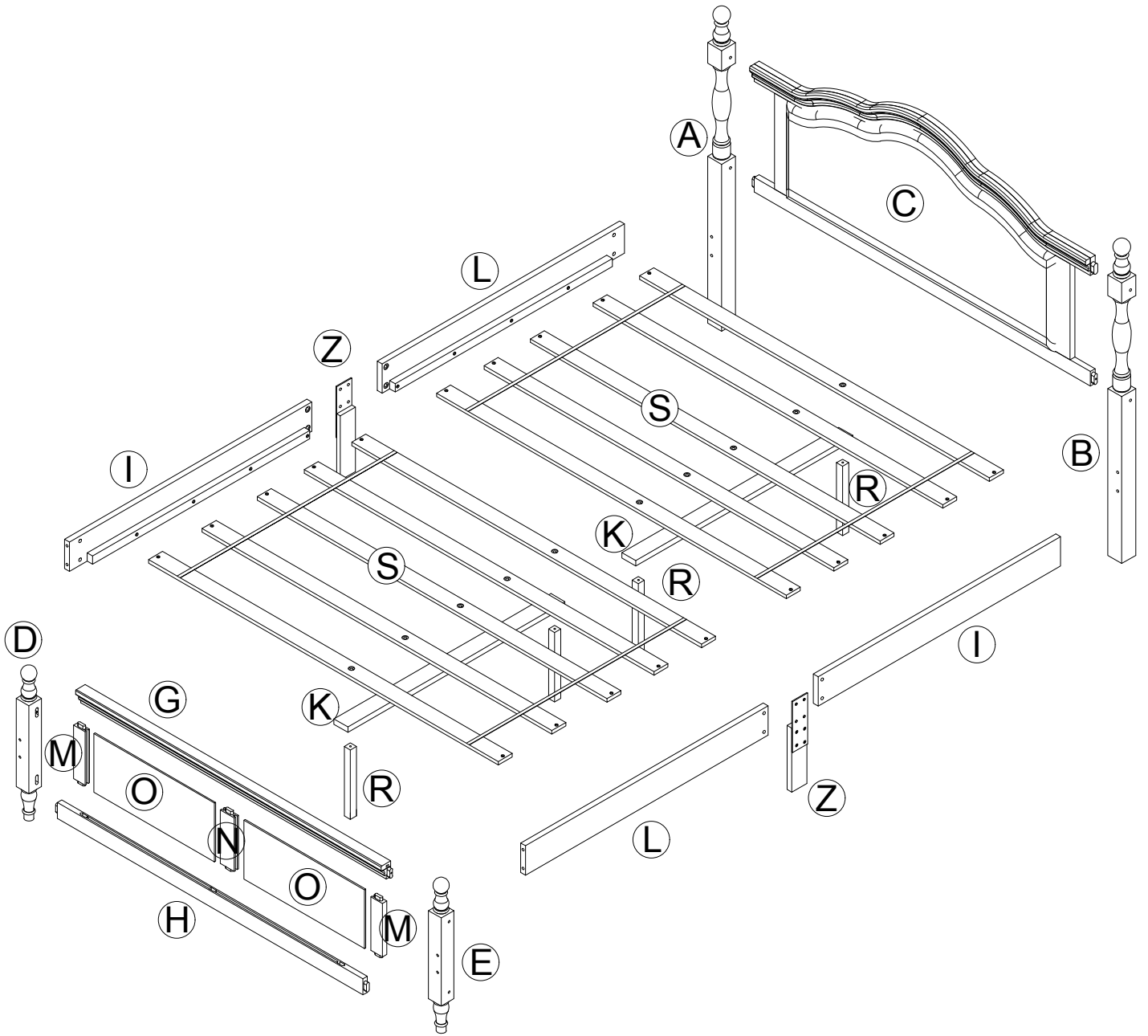
ASSEMBLY INSTRUCTIONS

QUEEN FLOOR BED WITH RAILINGS



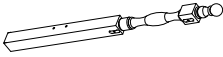
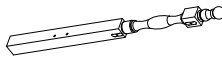



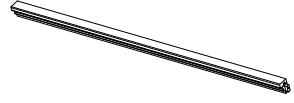
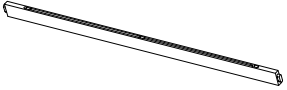


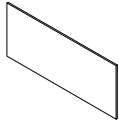
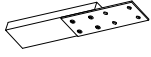



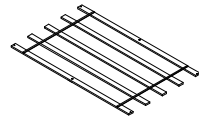

DGP069-Q




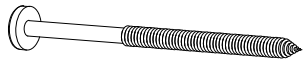



Detail View



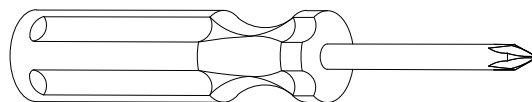
DGP069-Q

Part List

| | | |
|---|---|--|
| <p>A</p>  <p>Leg (Left Front) - 1pc</p> | <p>B</p>  <p>Leg (Right Front) - 1pc</p> | <p>C</p>  <p>Frame HB - 1pc</p> |
| <p>D</p>  <p>Leg (Left Back) - 1pc</p> | <p>E</p>  <p>Leg (Right Back) - 1pc</p> | <p>G</p>  <p>Top horizontal bar FB - 1pc</p> |
| <p>H</p>  <p>Bottom horizontal bar FB - 1pc</p> | <p>M</p>  <p>Guard rails - 2pcs</p> | <p>N</p>  <p>Guard rail - 1pc</p> |
| <p>O</p>  <p>Board panels-2PCS</p> | <p>Z</p>  <p>Supported legs (rail) - 2pcs</p> | <p>L</p>  <p>Side rails (Front) - 2pcs</p> |
| <p>I</p>  <p>Side rail (Back) - 2pcs</p> | <p>K</p>  <p>Lower support slat - 2pcs</p> | <p>S</p>  <p>slats - 2sets</p> |
| <h2>Hardware List</h2> | | <p>R</p>  <p>support Legs - 4pcs</p> |

| | | |
|--|--|--|
| <p>1</p>  <p>(Ø15) x1/4"x110mm Hex-Head bolts (8pcs)</p> | <p>3</p>  <p>x1/4"x15 (9.5mm) Horizontal-hole (8pcs)</p> | <p>4</p>  <p>(Ø15) 1/4"x15mm Hex-Head bolts (8pcs)</p> |
| <p>2</p>  <p>(Ø15) x1/4"x110mm Hex-Head bolts (8pcs)</p> | <p>6</p>  <p>4x30mm Wood screws (8pcs)</p> | <p>7</p>  <p>(1/4") 4.5x58mm Allen key (1pc)</p> |
| <p>5</p>  <p>(Ø15) 1/4"x50mm Hex-Head bolts (4pcs)</p> | | |

ASSEMBLY TOOLS REQUIRED (NOT INCLUDED)



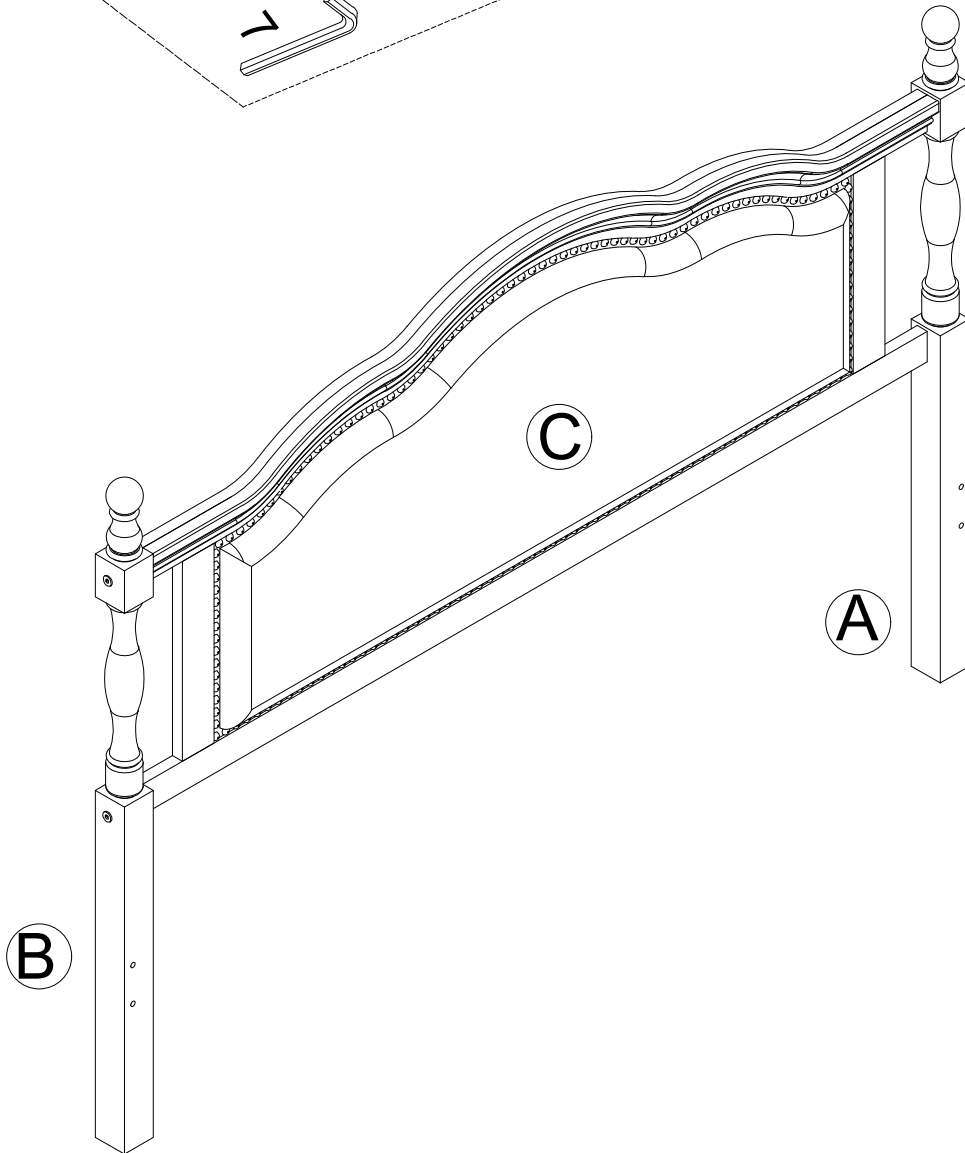
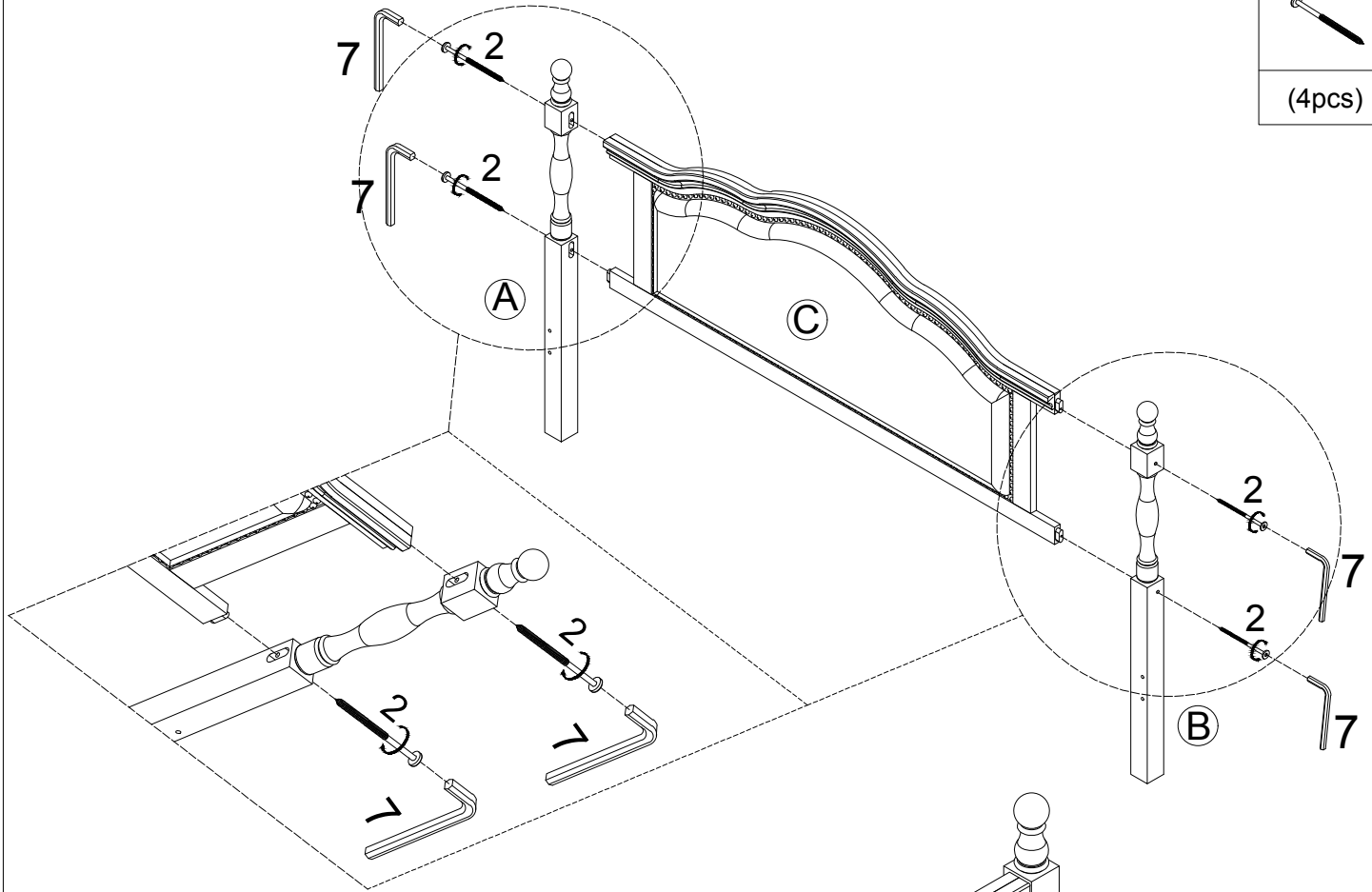
PLEASE BE CAREFUL DO NOT DAMAGE THE HOLE POSITION WHEN YOU USE POWER TOOLS !

STEP 1

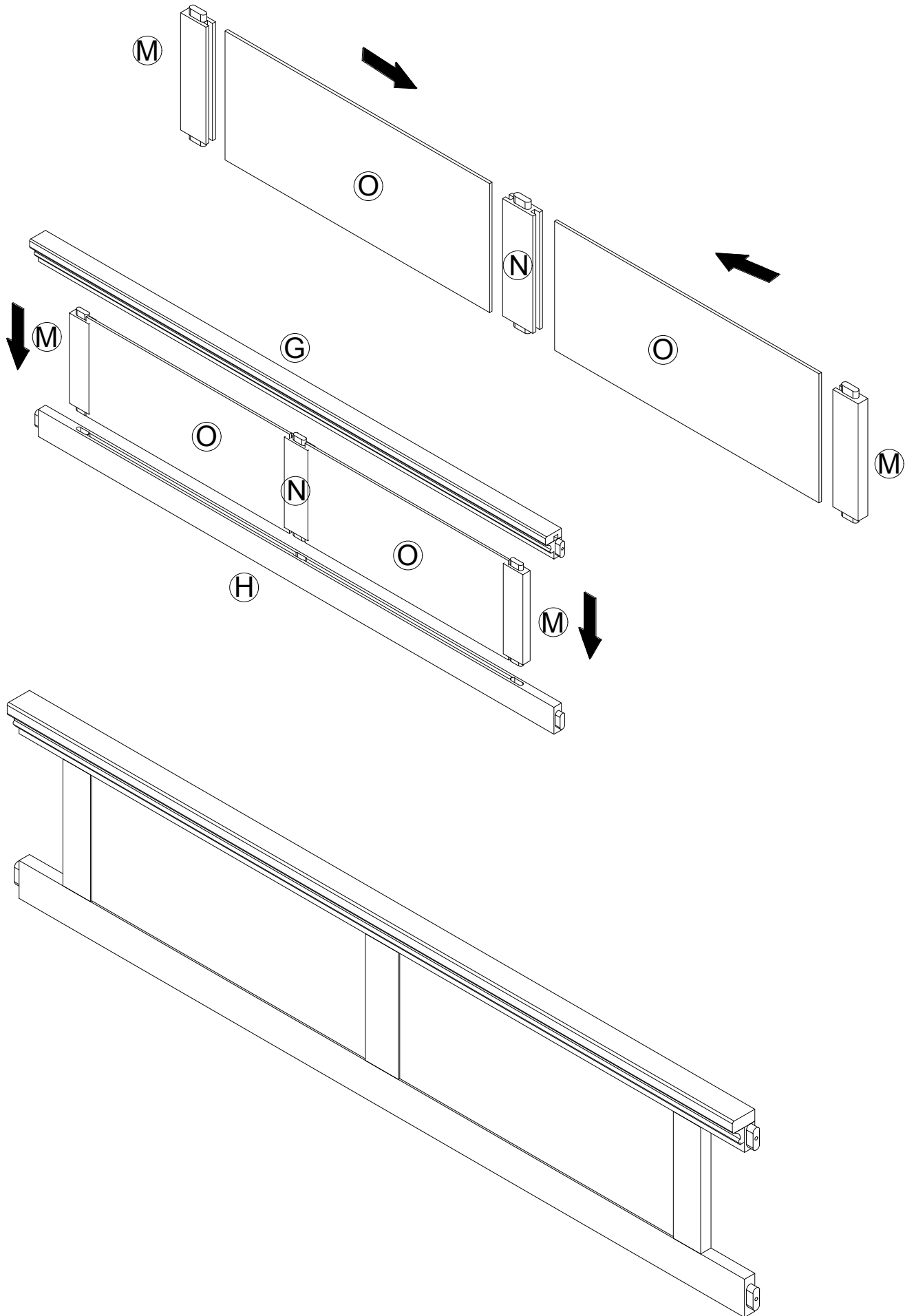
2




(4pcs)

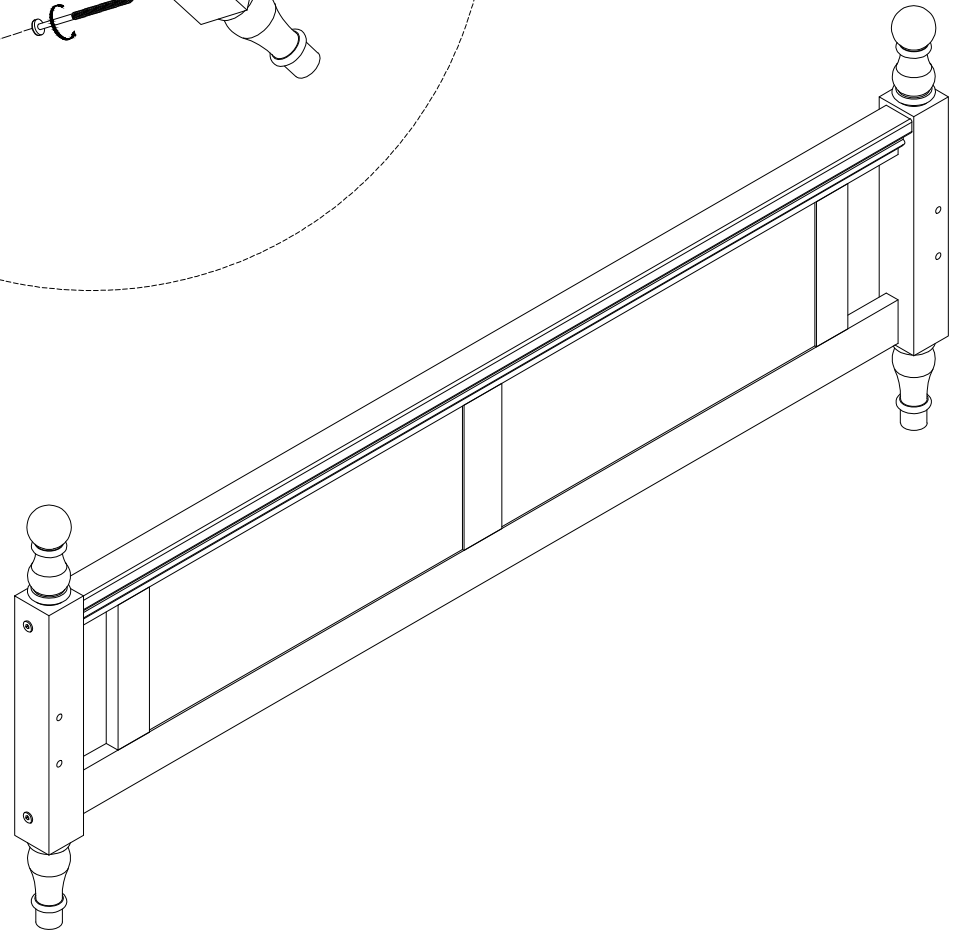
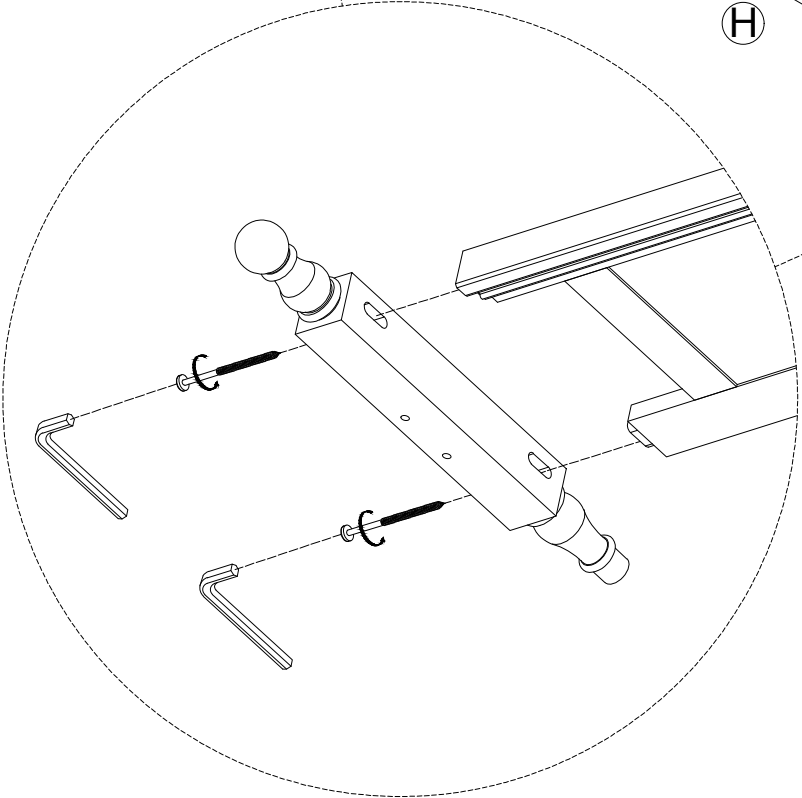
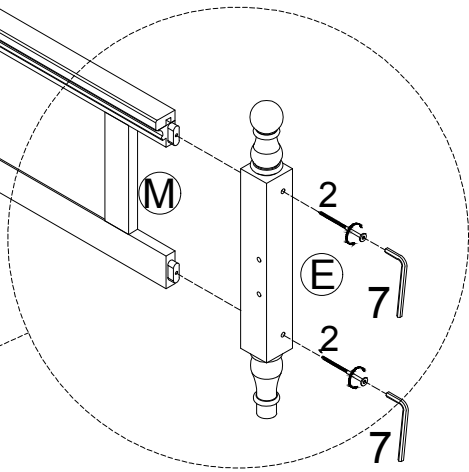
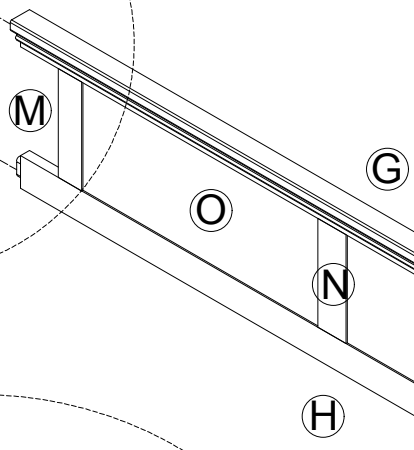
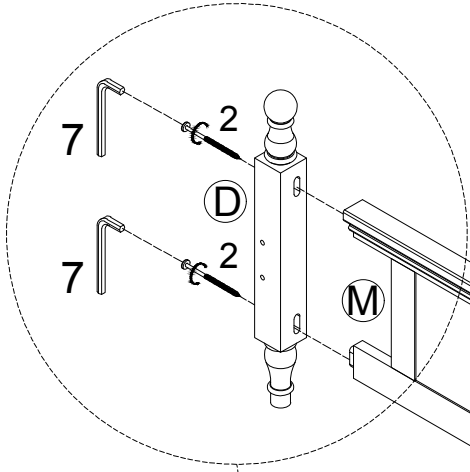


STEP 2



STEP 3

| |
|---|
| 2 |
|  |
| (4pcs) |

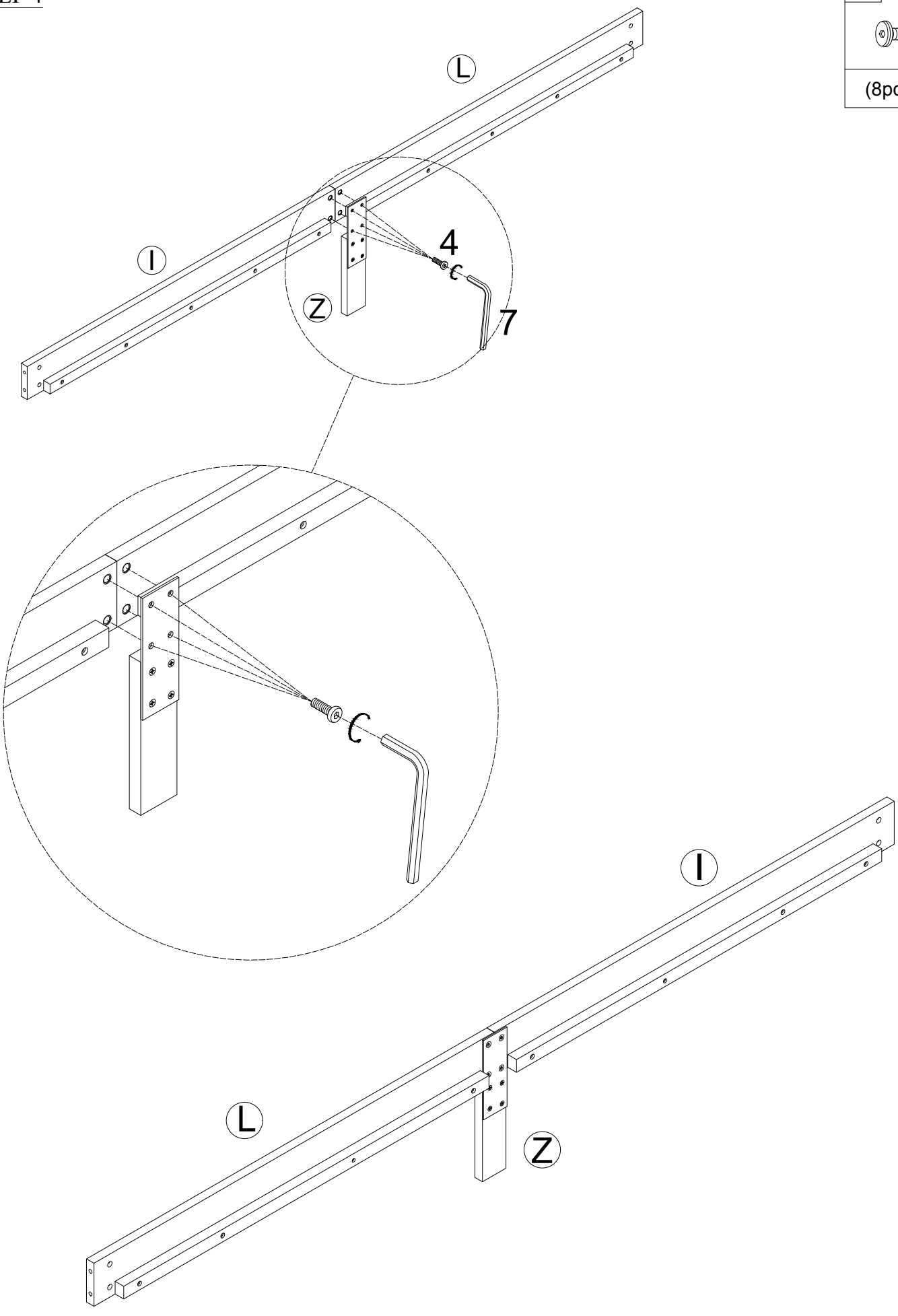


STEP 4



4

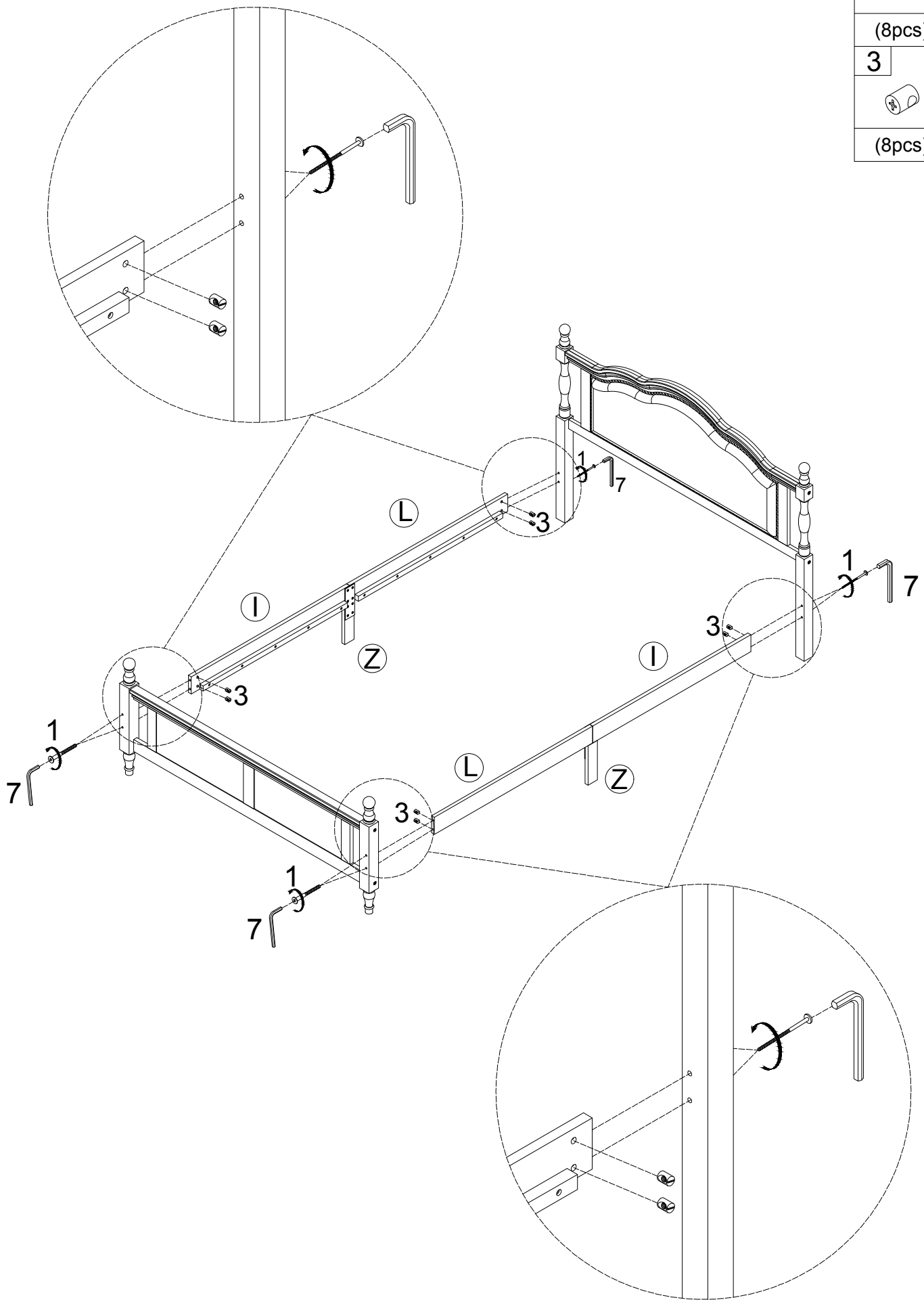


(8pcs)



STEP 5

- 1  (8pcs)
- 3  (8pcs)

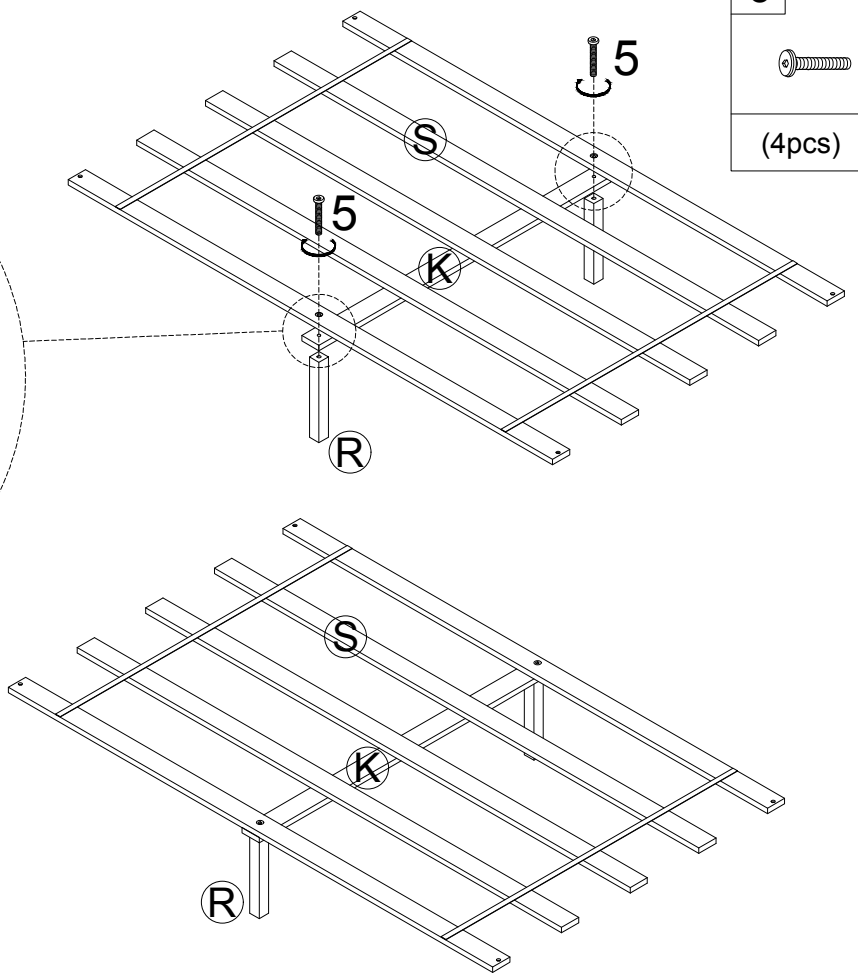
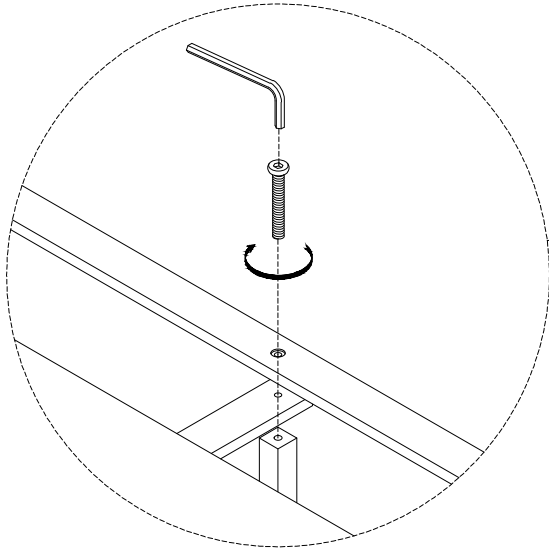


STEP 6

5



(4pcs)



STEP 7

6



(8pcs)

