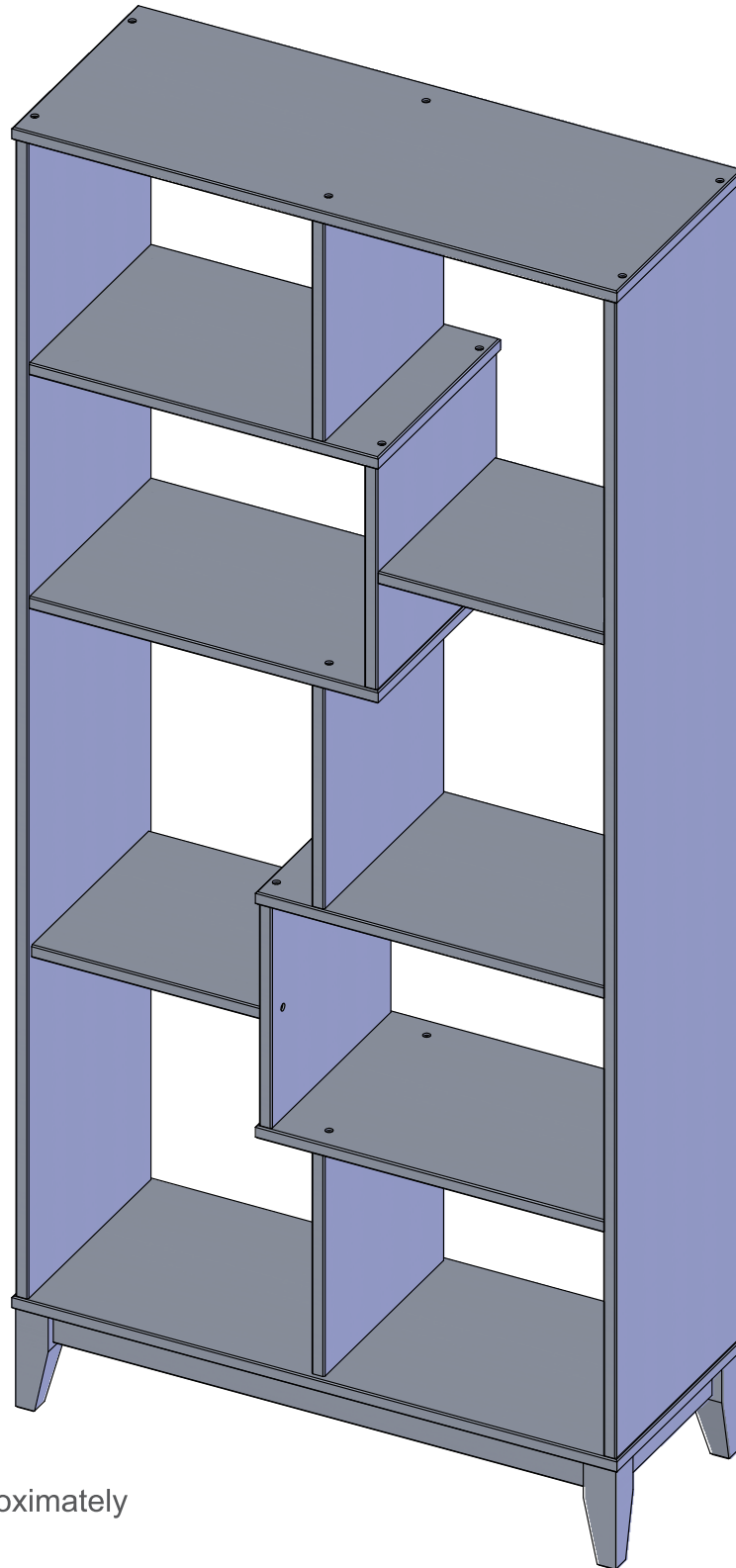


ASSEMBLY INSTRUCTIONS

GEOMETRIC - BOOKCASE



Assembly
02 people



Time
1:30 hours approximately

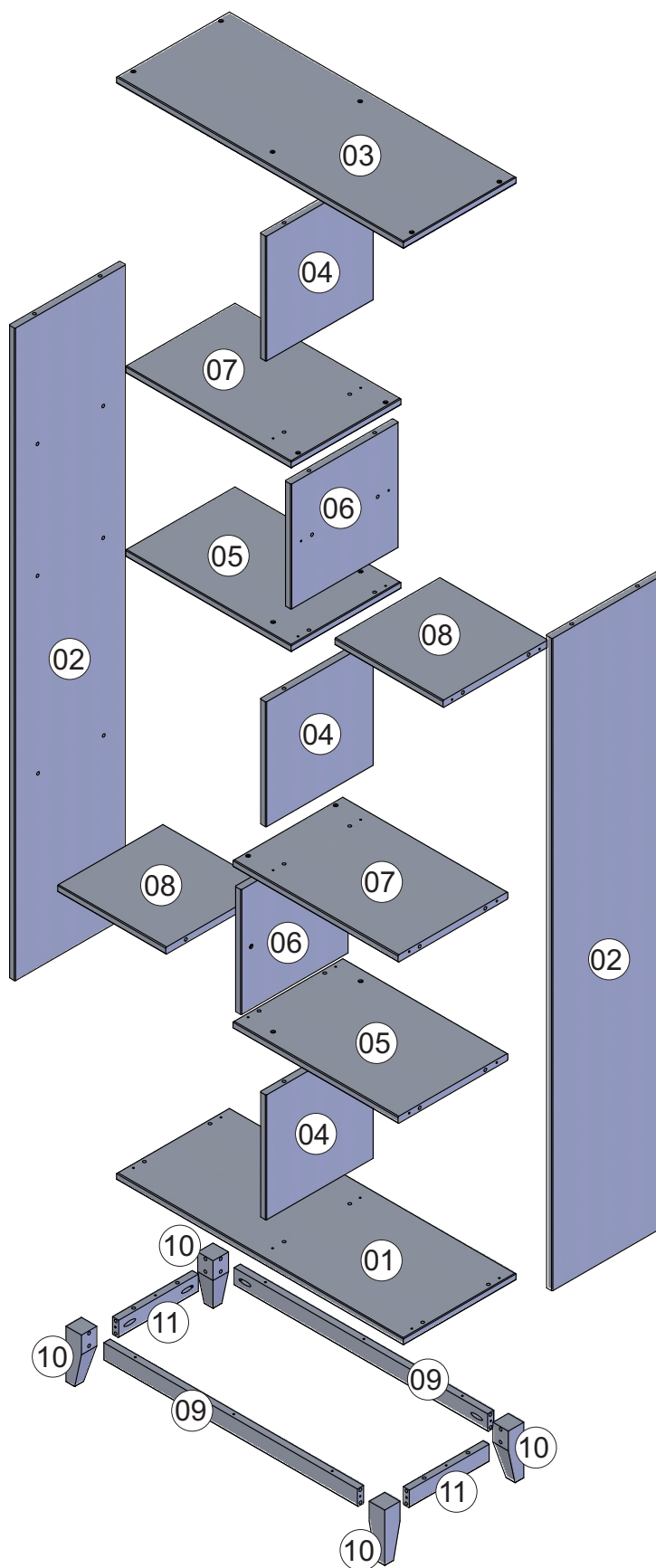


Tools
philips key, rubber hammer



Volume quantity
02 boxes


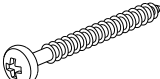
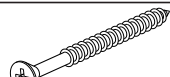
Parts list for assembly. Please confirm all parts available before assembly



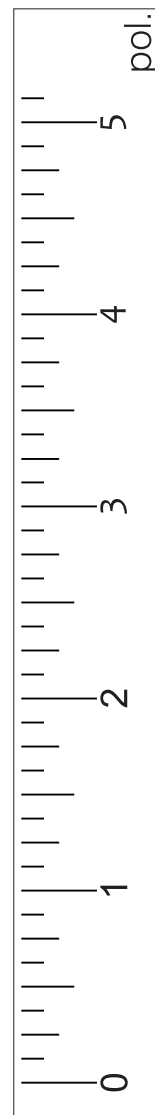
ATTENTION

- * Read and observe carefully all the assembly instructions before beginning assembly.
- * The assembly of the product must be done on a clean and flat surface. We suggest to use the packaging to cover the floor to avoid damages.
- * The screws must be tightened periodically.
- * Avoid contact with sharp objects.
- * Avoid banging pieces together.


Hardware list for assembly.
Please confirm all hardware available before assembly

A		$\varnothing 5/16$ "x1 3/16"	64x	+	2x
B		$\varnothing 5/32$ "x1 3/16"	20x	+	2x
C		$\varnothing 5/32$ "x1 49/64"	40x	+	2x

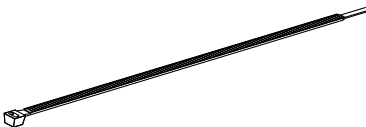
SPARE




Anti-Tip Kit




4,0x30 Screw
Qty. 02



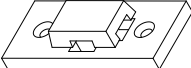
Nylon strap 300x4,8mm
Qty. 01



3,5x14 Screw
Qty. 02

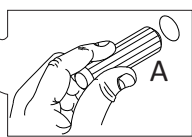
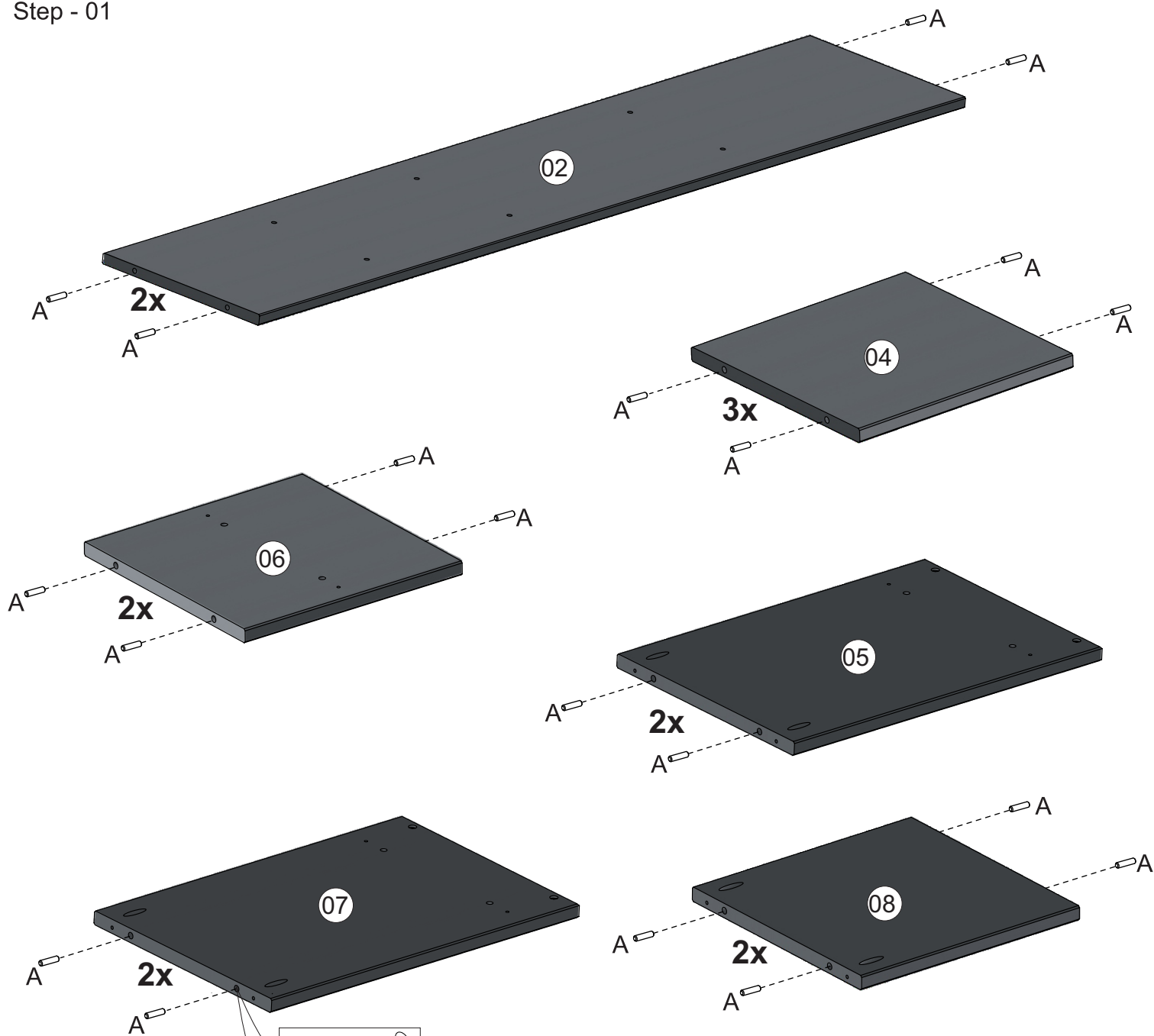


Plastic screw anchor 6mm
Qty. 02

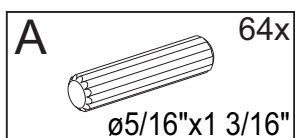
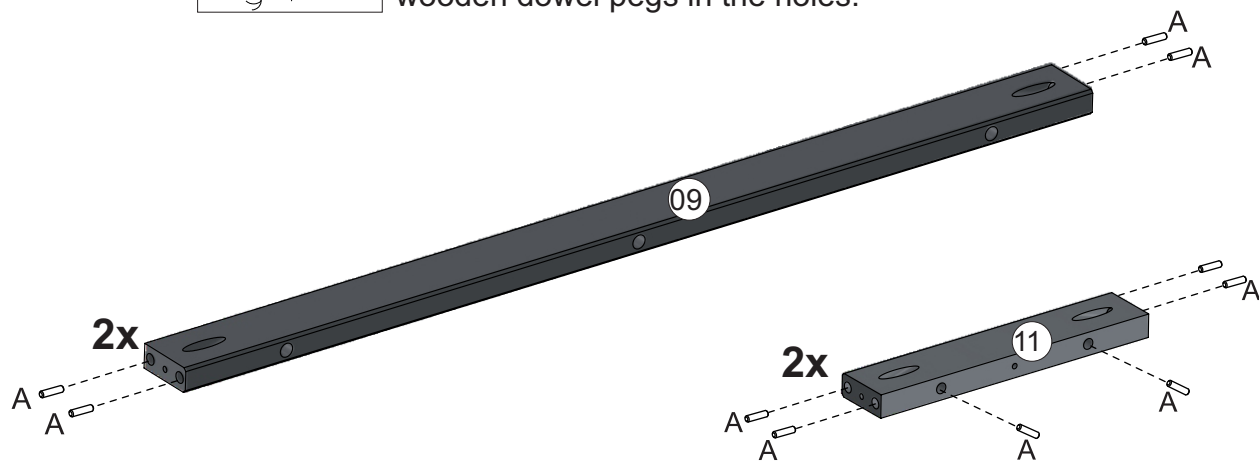


Plastic wall bracket
Qty. 02

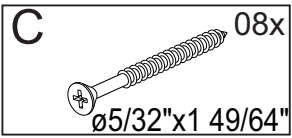
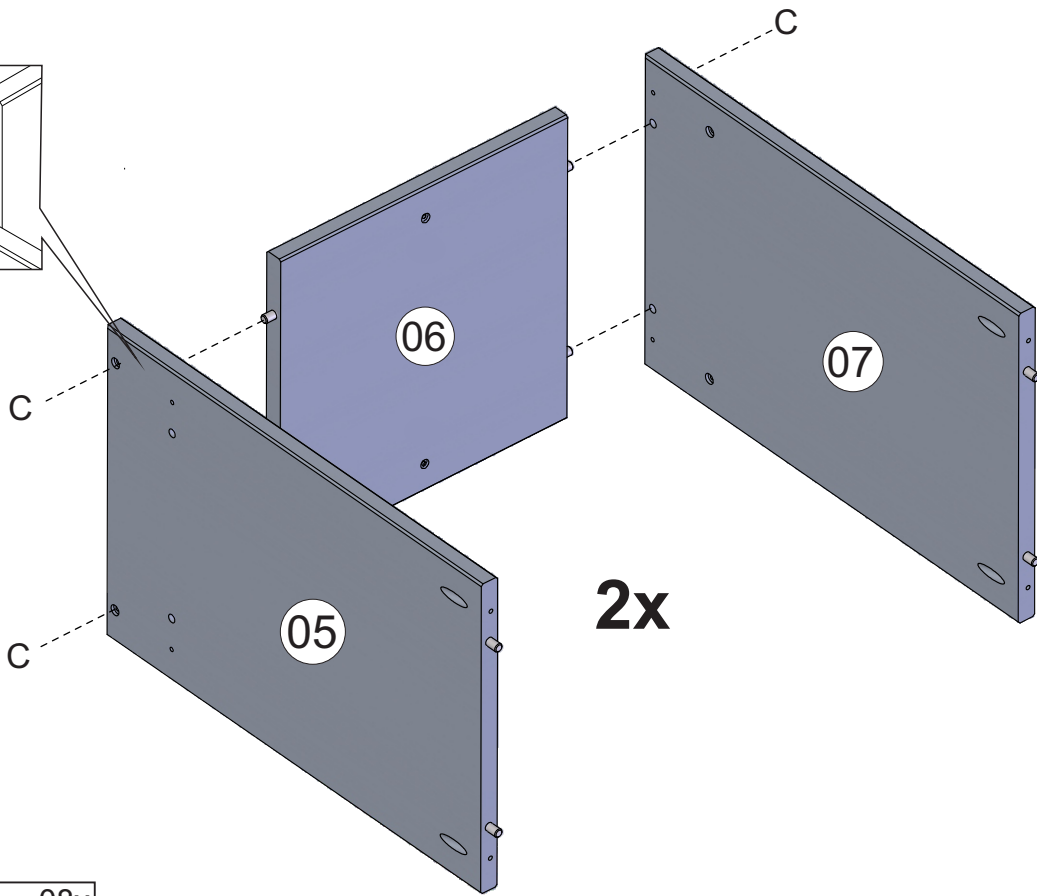
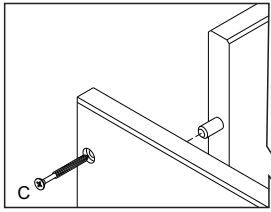
Step - 01



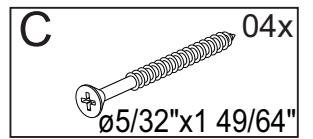
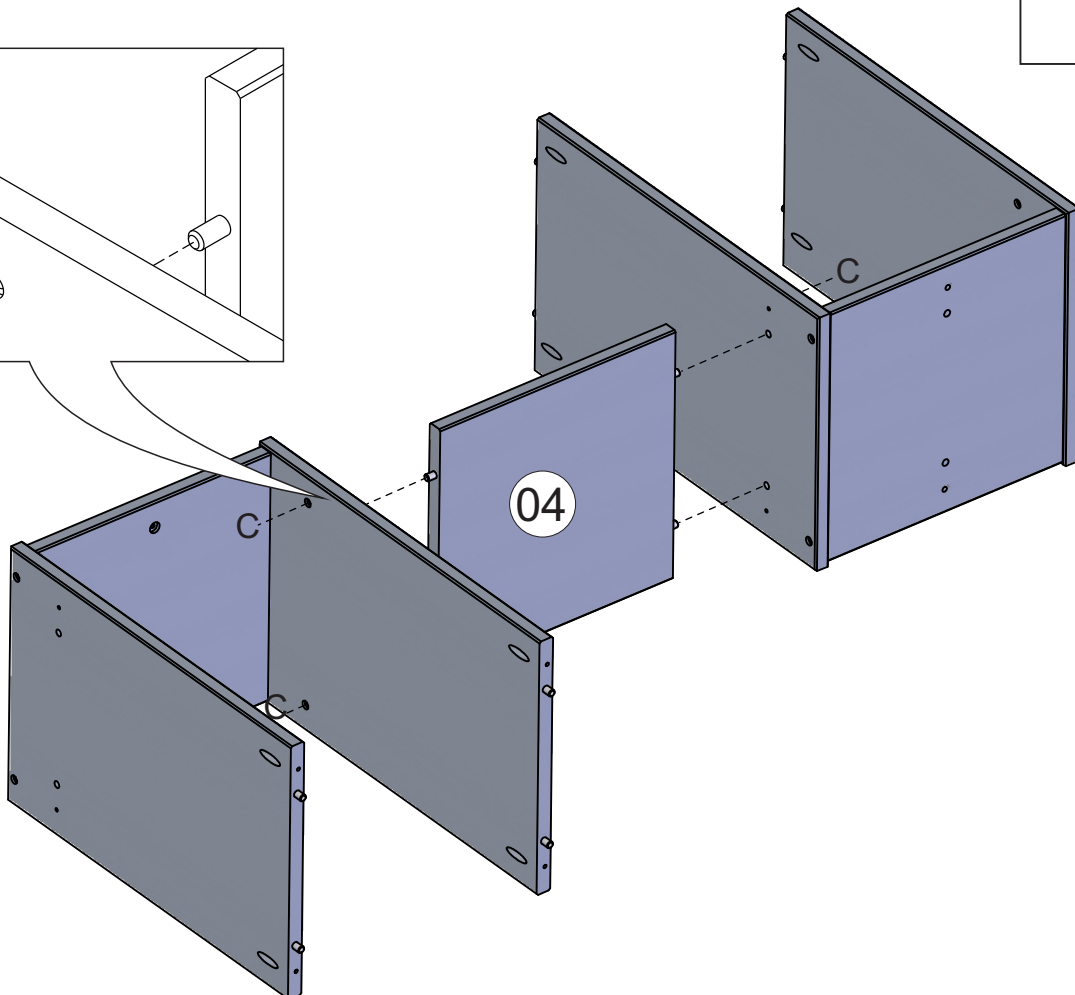
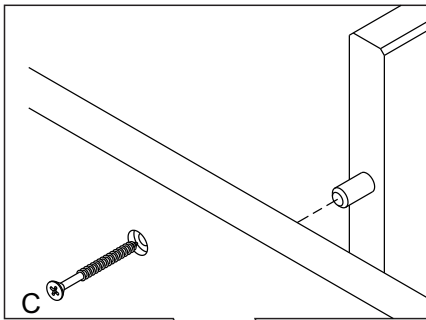
If the holes are too tight, use a hammer to gently place wooden dowel pegs in the holes.



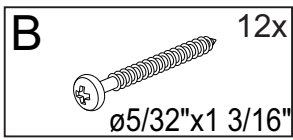
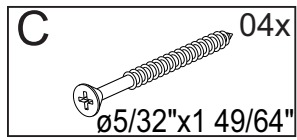
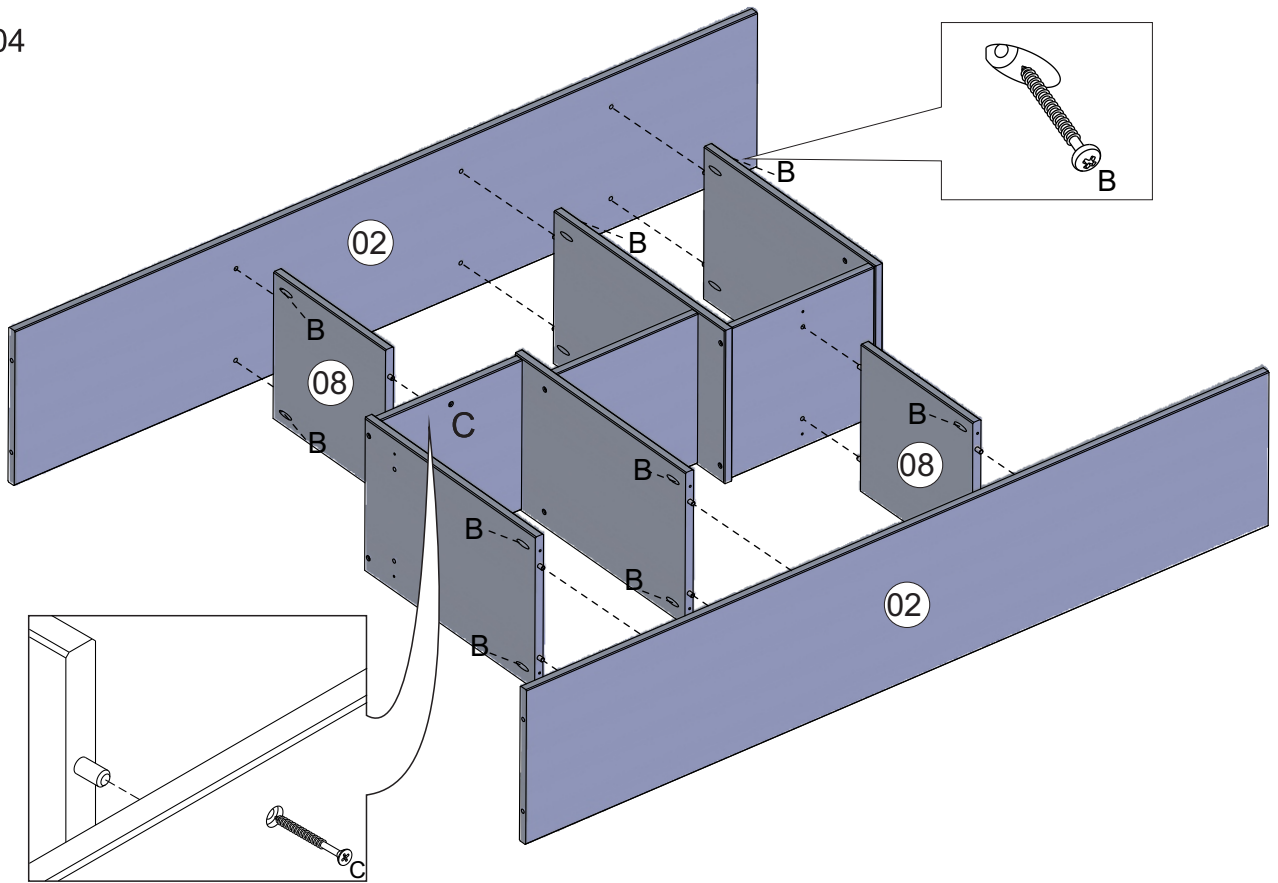
Step - 02



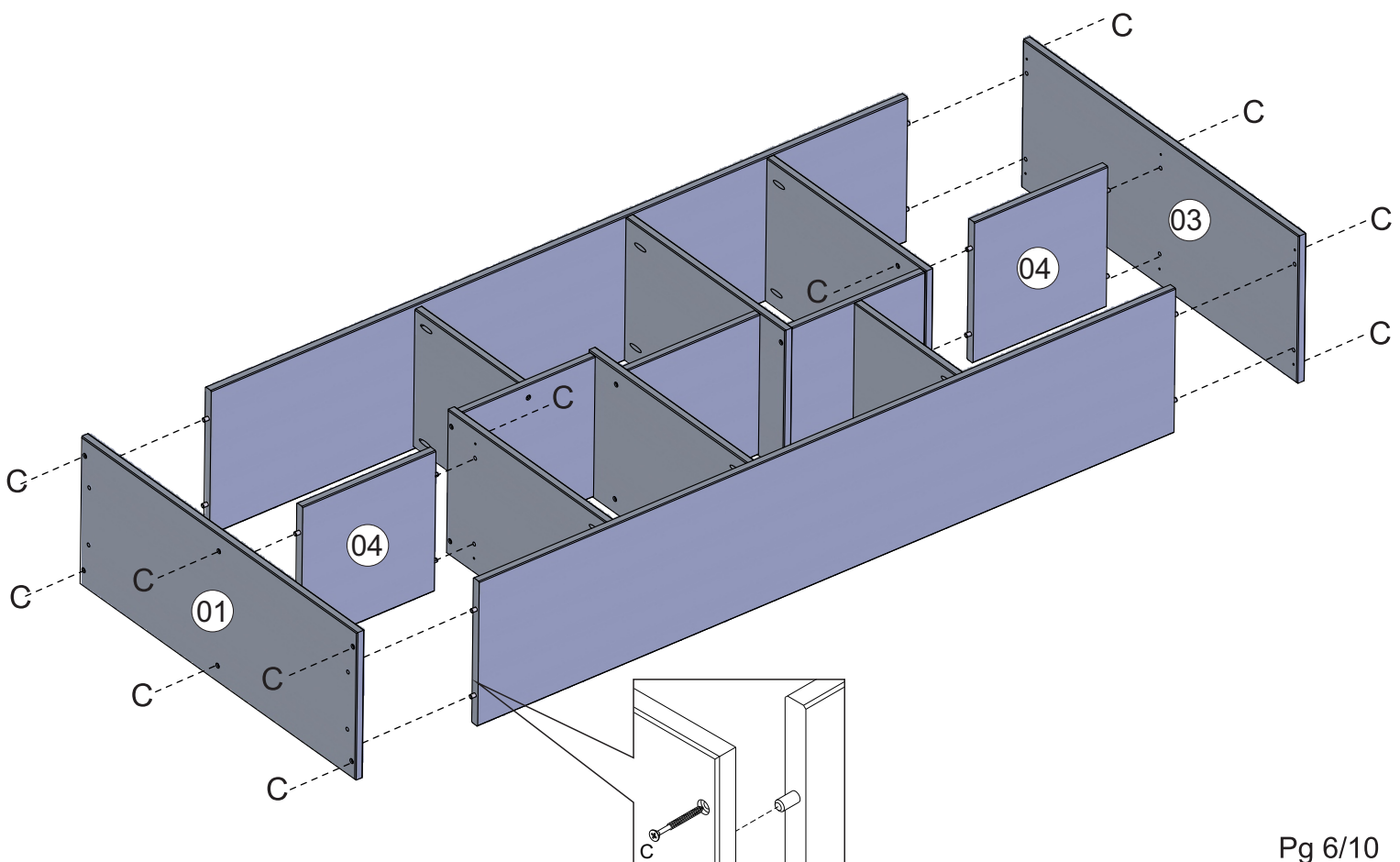
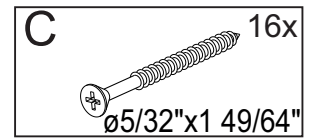
Step - 03



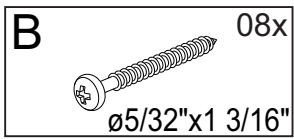
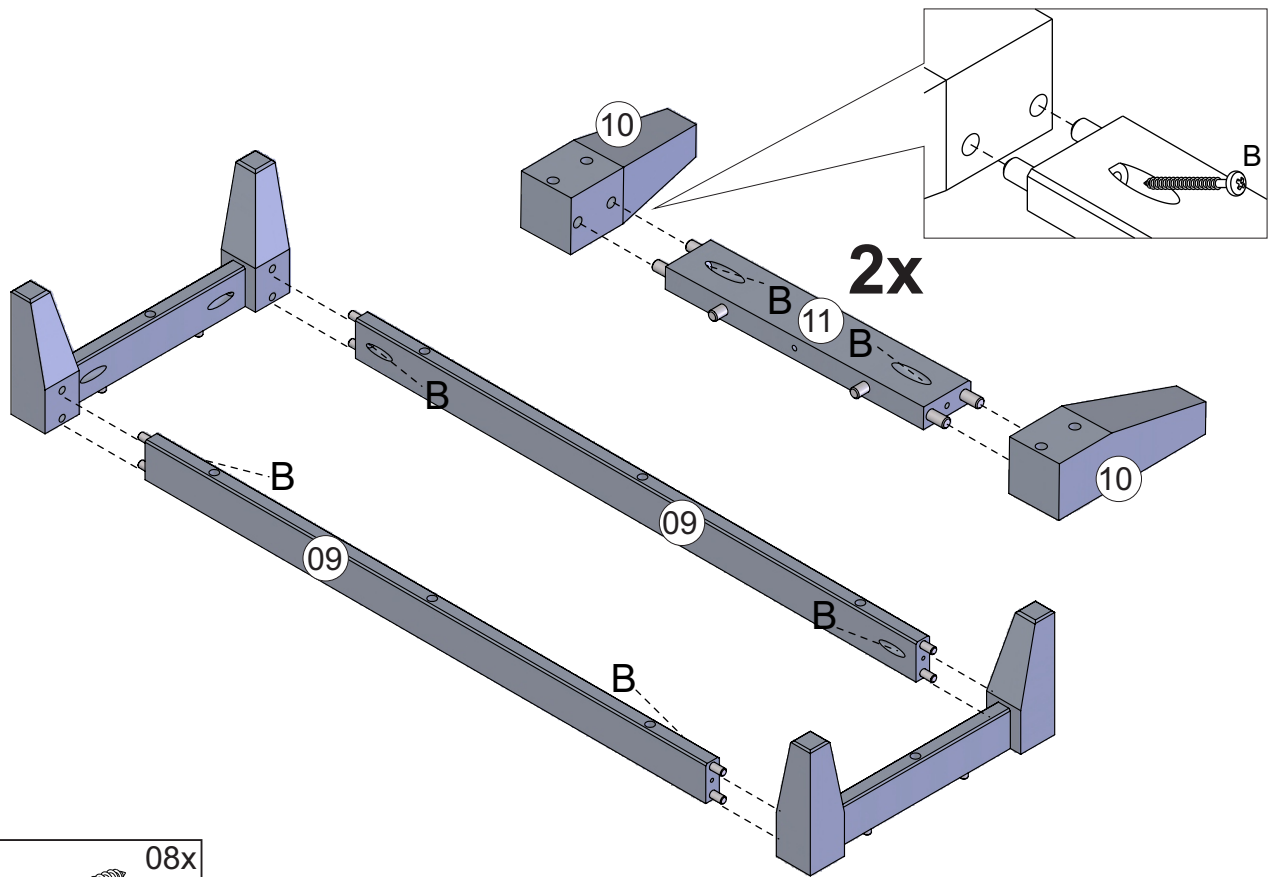
Step - 04



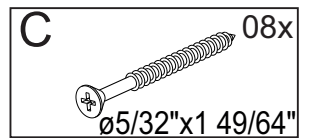
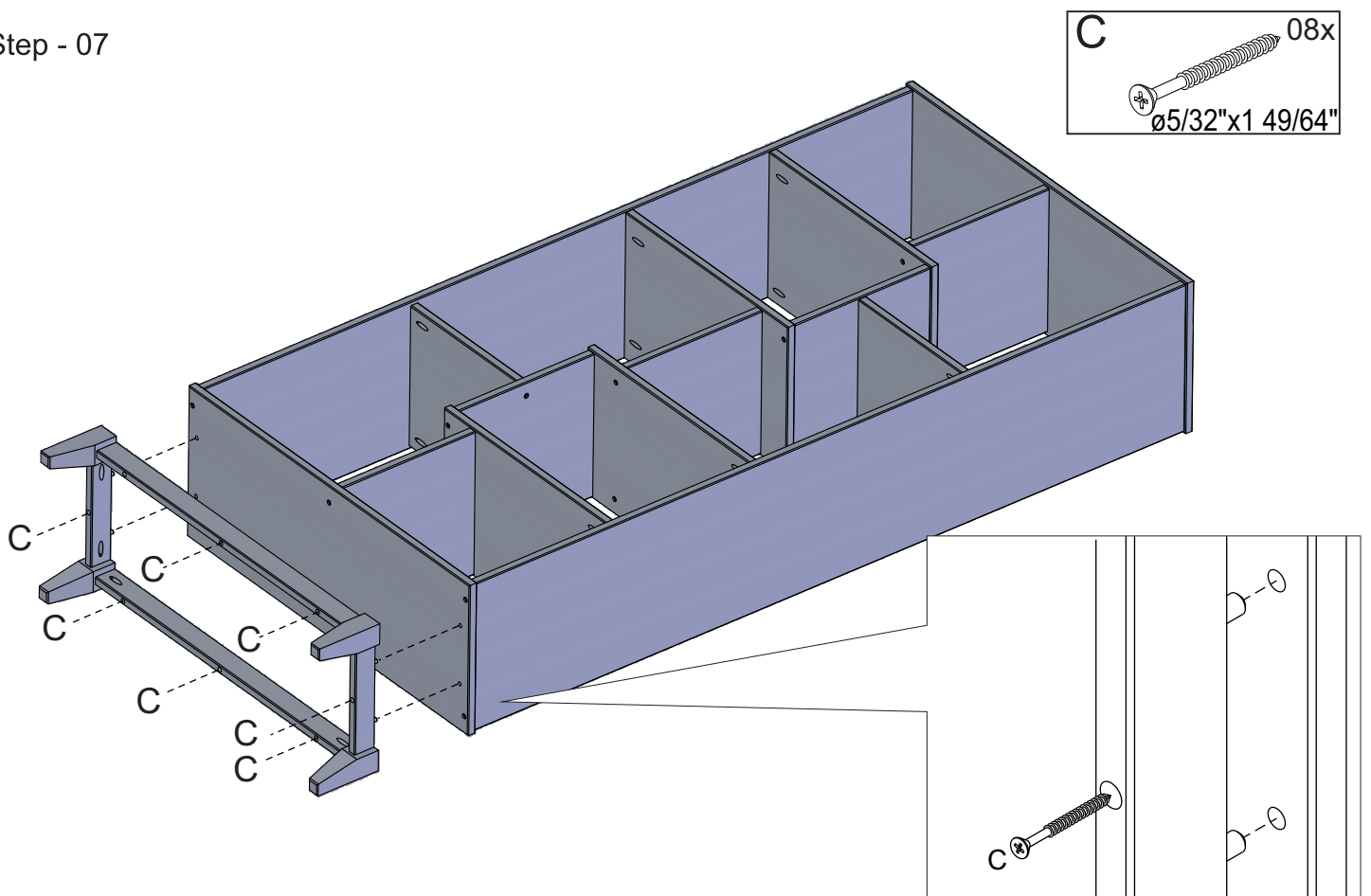
Step - 05

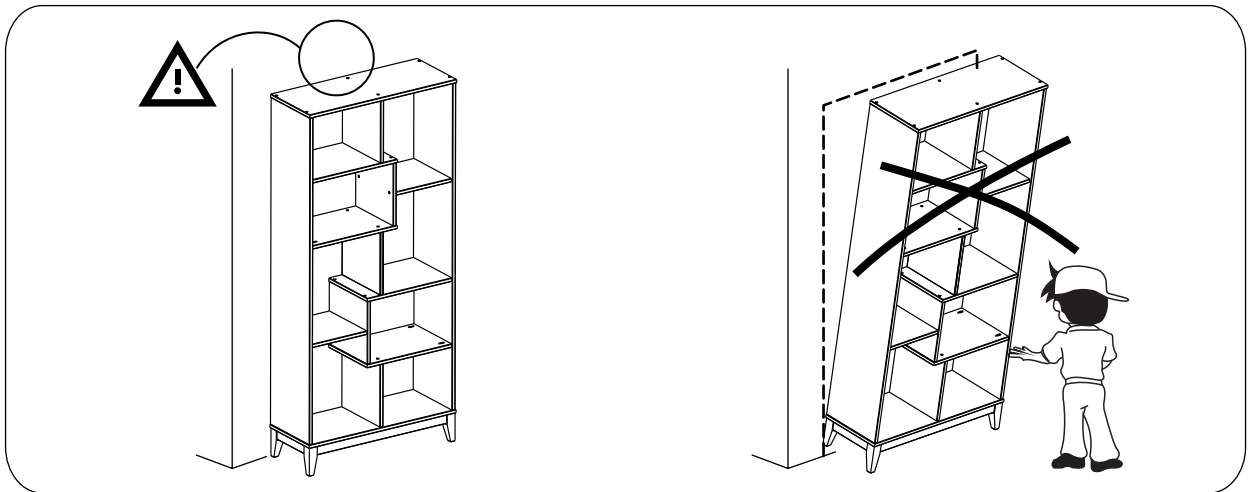


Step - 06

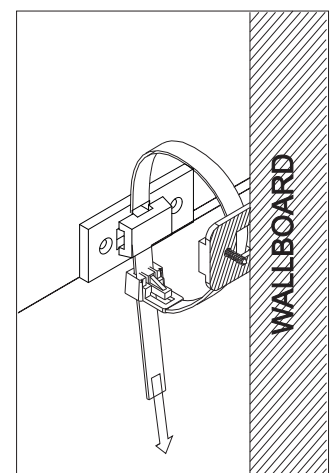
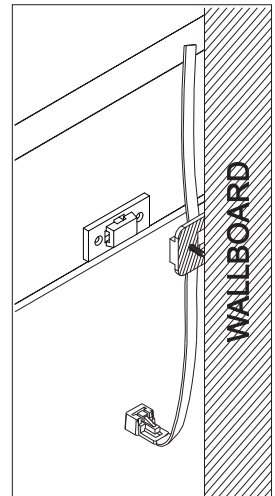
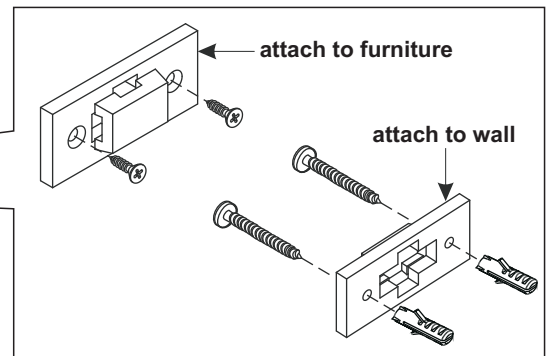
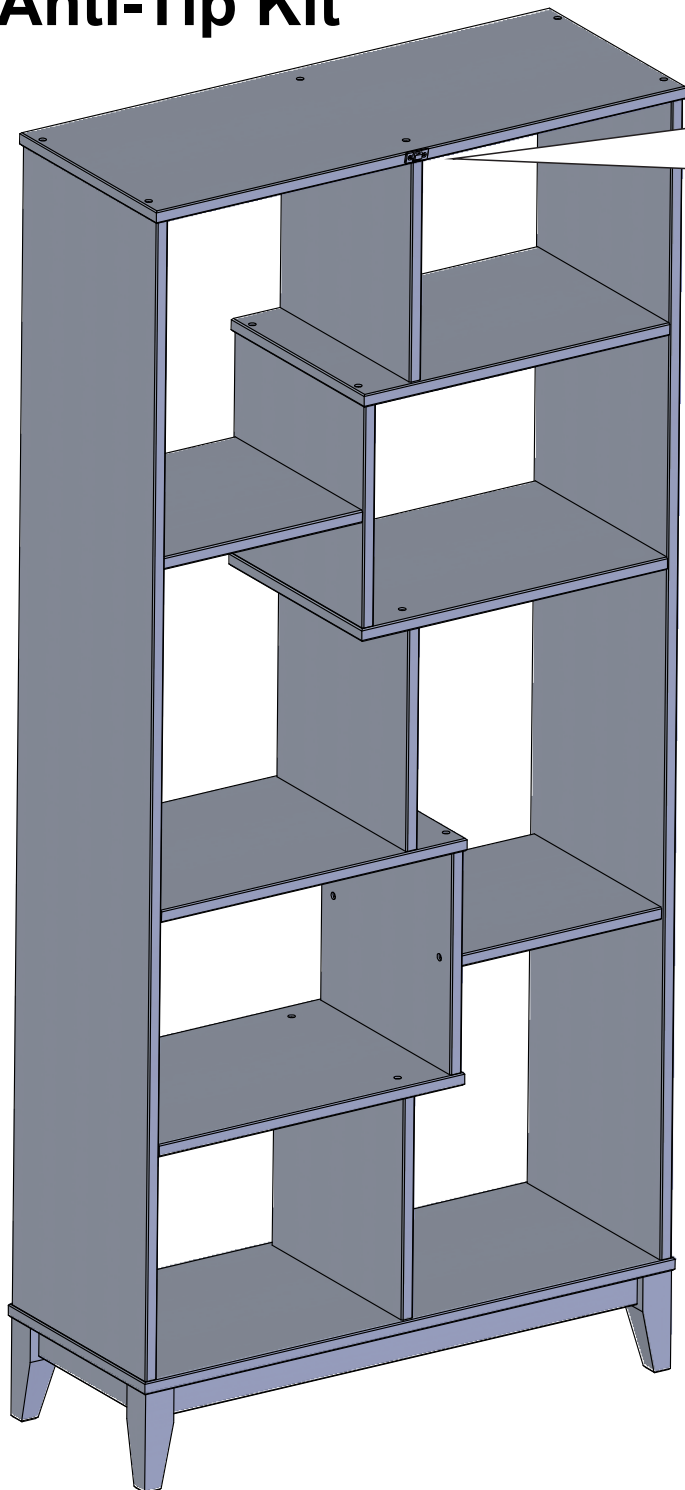




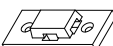


Step - 07





Anti-Tip Kit



- Anti-Tip Kit**
-  4,0x30 Screw
Qty. 02
 -  3,5x14 Screw
Qty. 02
 -  Plastic wall bracket
Qty. 02
 -  Nylon strap 300x4,8mm
Qty. 01
 -  Plastic screw anchor 6mm
Qty. 02