

INSTALLATION AND CARE GUIDE

BEFORE YOU BEGIN



Prior to installation, thoroughly read and comprehend this manual.



We recommend professional installation for optimal results.

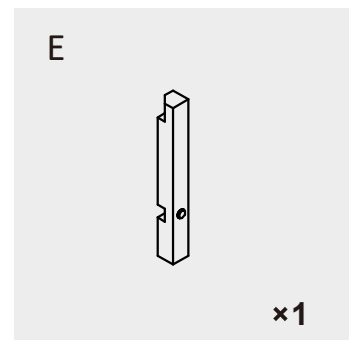
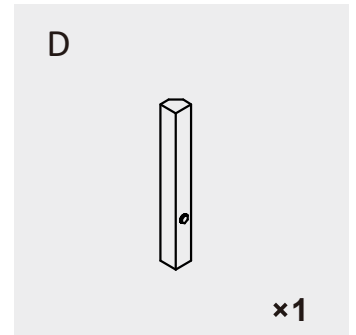
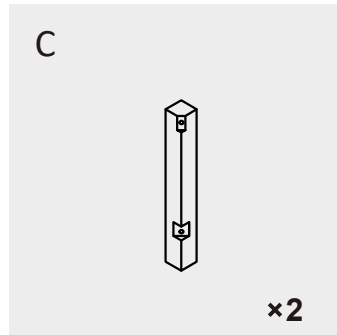
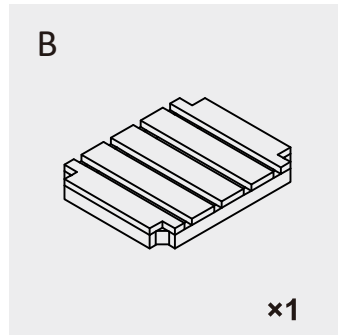
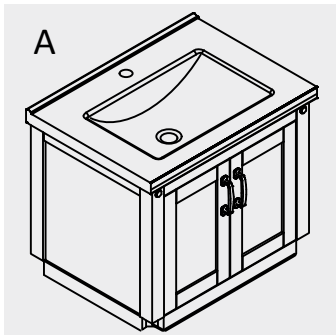


Shield surfaces from sharp objects, high heat, and chemicals.



Verify all components against the **PART LIST**. Promptly inform your retailer of any missing items.

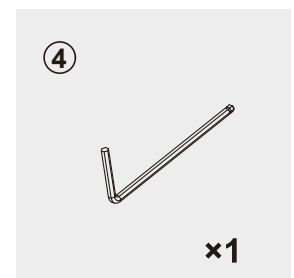
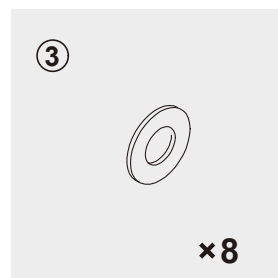
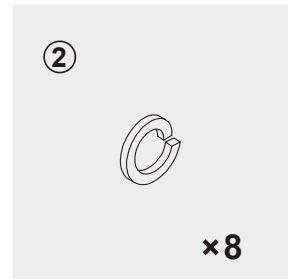
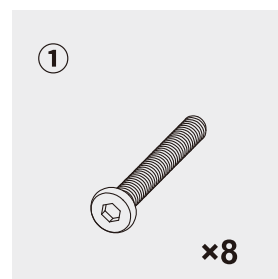
WHAT'S INCLUDED IN THE PACKAGE



- A. VANITY
- B. SHELF
- C. LEG (back left+back right)
- D. LEG (front left)
- E. LEG (front right)

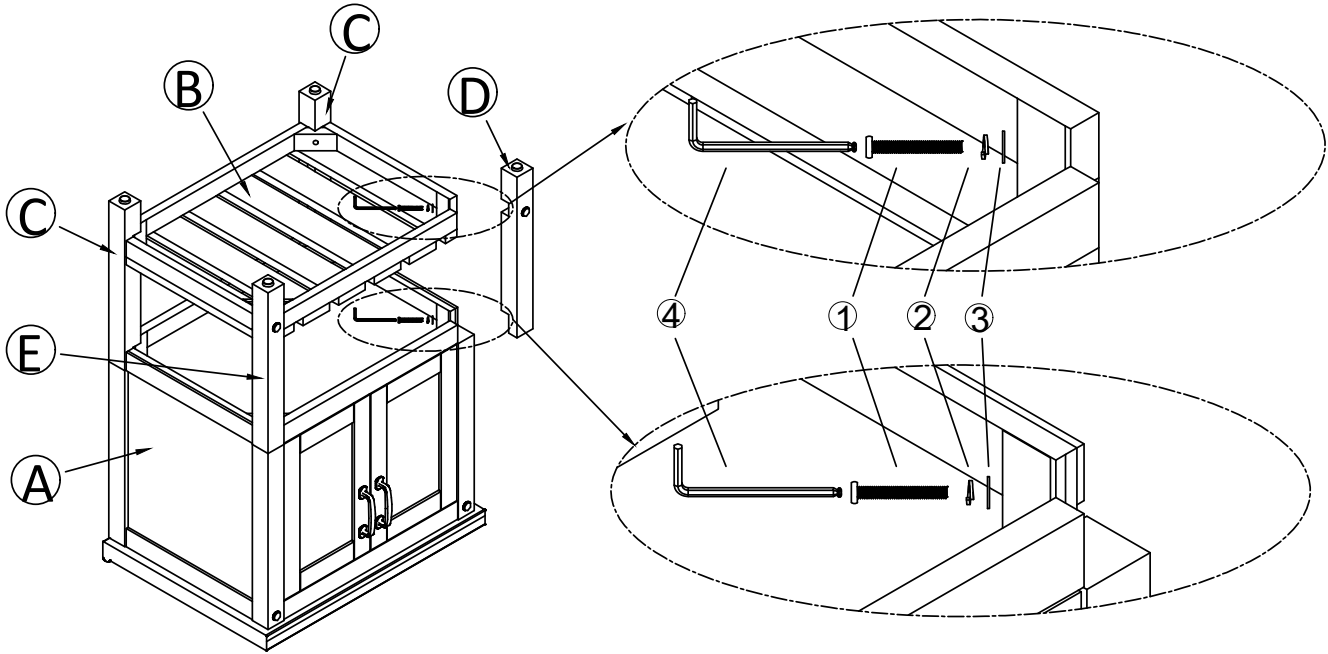
AA. Hardware pack:

- ① BOLT-5/16"×50mm (for leg installation)
- ② LOCK WASHER-5/16"
- ③ FLAT WASHER-5/16"
- ④ ALLEN WRENCH



INSTALLATION INSTRUCTION

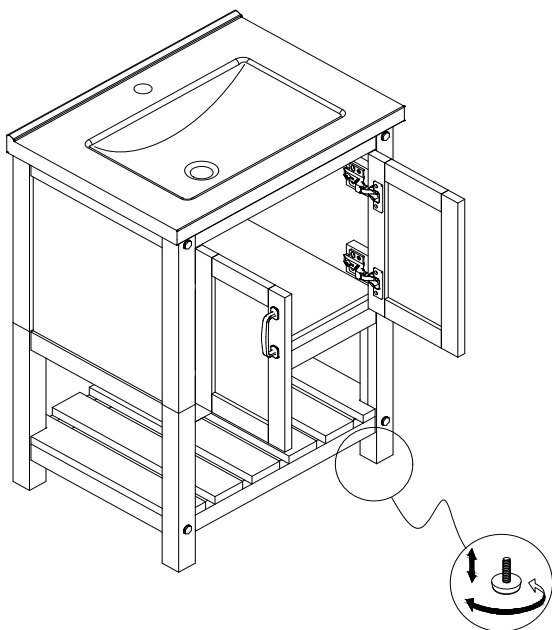
STEP1. Attach the legs to the vanity.



STEP2. Adjust the vanity's height at its final location.

Note:

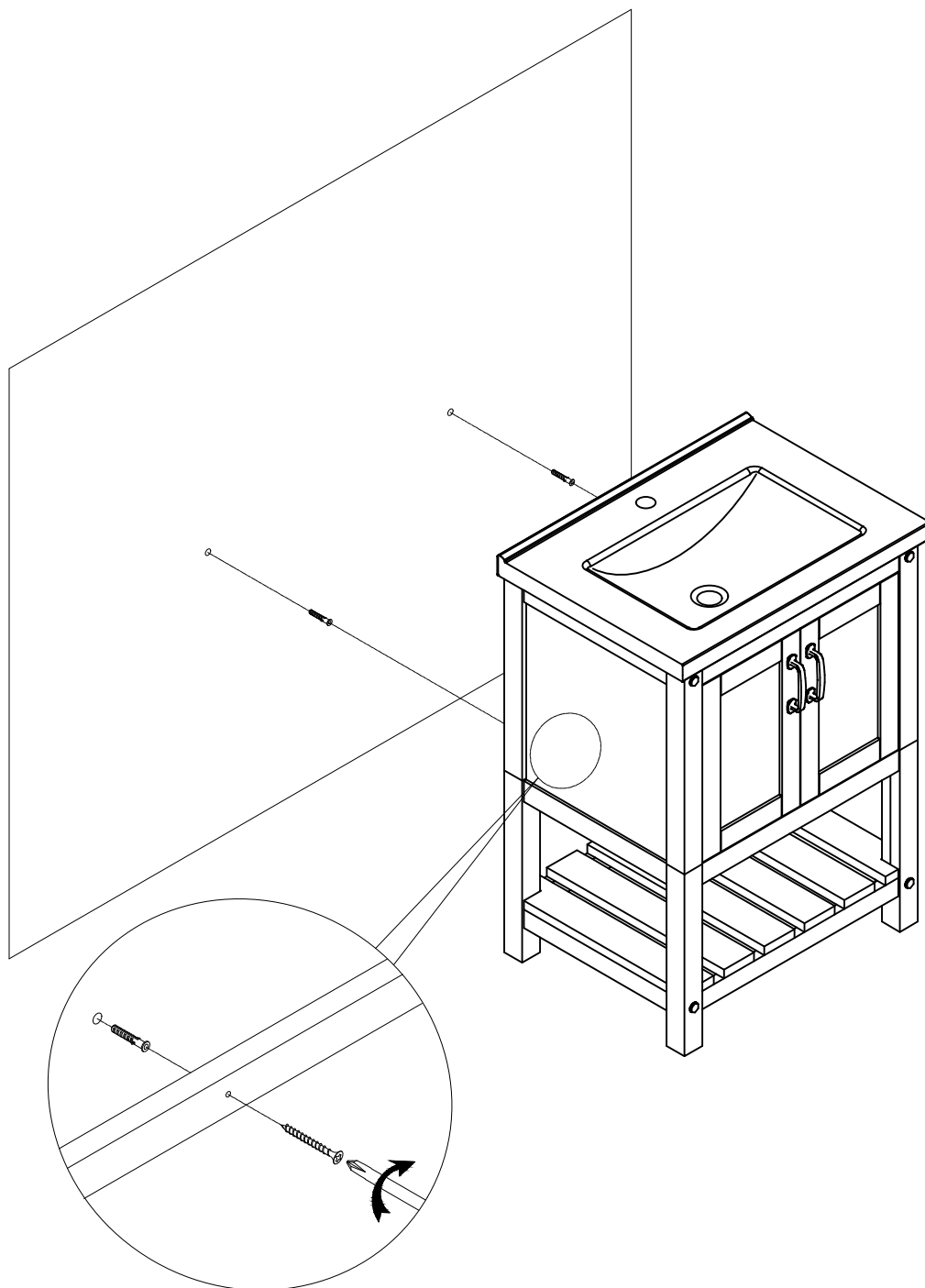
Rotate the adjustable leveler foot pins, located on the bottom of each leg, to adjust the vanity's height.



INSTALLATION INSTRUCTION

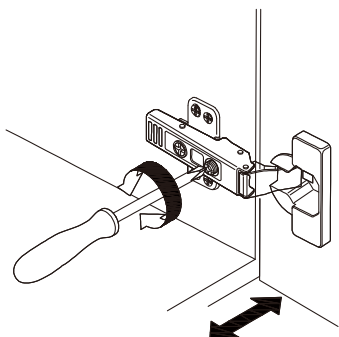
STEP3. Mount the vanity to the wall (mounting hardware not included). Ensure the Vanity is securely fastened using suitable hardware based on your wall type. Exercise caution to avoid disrupting any hidden electrical or water lines present within the wall.

Note: It is crucial to securely fasten the Vanity to the wall.

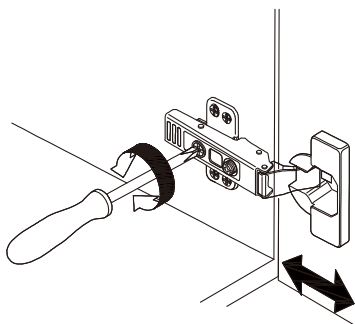


INSTALLATION INSTRUCTION

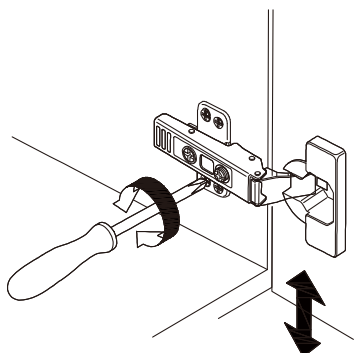
Fine-tune the Door Fit by Adjusting the Hinges, if Necessary



Screw A for door in & out adjustment.

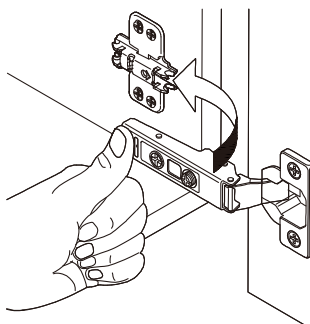


Screw B for door left & right adjustment.

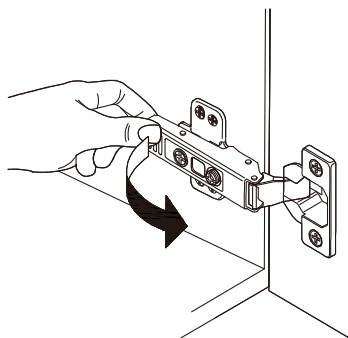


Screw C for door up & down adjustment.

To remove or install the hinges:



install



remove

CARE AND MAINTENANCE

By following these care guidelines, you can help preserve the appearance and longevity of your bathroom vanity.

For the Sink,

1. Regular Cleaning:

Wipe the sink regularly with a soft, non-abrasive cloth or sponge.

Use a gentle, non-abrasive household cleaner suitable for ceramic surfaces.

Rinse the sink thoroughly with clean water after cleaning.

2. Stain Removal:

For light stains, you can create a paste using baking soda and water. Apply the paste to the stained area, gently scrub with a soft cloth or sponge, and rinse thoroughly.

For more stubborn stains, you can use a mild abrasive cleaner specifically formulated for ceramic sinks. Follow the manufacturer's instructions and rinse well.

3. Avoiding Scratches:

Place a protective mat or coaster under any objects placed on the sink's surface to prevent scratches.

Avoid using abrasive scrubbing pads or harsh cleaning tools that can scratch the ceramic surface.

4. Preventing Damage:

Do not drop heavy objects onto the sink, as it may cause chipping or cracking.

Take care when handling sharp or metallic objects near the sink to avoid scratching the ceramic surface.

5. Dealing with Hard Water Deposits:

If you notice hard water deposits or mineral buildup on the sink surface, you can use a mixture of equal parts water and white vinegar. Apply the solution to the affected areas, let it sit for a few minutes, scrub gently, and rinse thoroughly.

6. Avoiding Chemical Damage:

Avoid using harsh chemicals such as bleach, ammonia, or abrasive cleaners that can damage the ceramic surface.

Do not use products containing acetone, lemon, vinegar, or other acidic substances, as they may cause discoloration or etching.

CARE AND MAINTENANCE

For the Cabinet,

1. Regular Cleaning:

Dust the cabinet regularly with a soft, non-lint producing cloth or a household dusting product to prevent the buildup of dust and debris.

Clean the cabinet surface with a gentle, non-abrasive household cleaner suitable for painted wood surfaces.

Avoid excessive moisture and wipe the cabinet dry immediately after cleaning to prevent damage to the paint.

2. Avoid Harsh Chemicals:

Avoid using harsh chemicals, solvents or abrasive cleaners that can damage the painted surface. Do not use products containing acetone, bleach, ammonia, or vinegar, as they can cause discoloration or strip the paint.

3. Protection from Sunlight:

Avoid placing the cabinet in direct sunlight, as prolonged exposure to sunlight can cause fading and discoloration of the paint.

Use curtains or blinds to protect the cabinet from direct sunlight or consider repositioning the cabinet if necessary.

4. Handling Spills and Moisture

Clean up spills immediately to prevent moisture from seeping into the wood or causing damage to the paint.

Wipe off any spills with a soft cloth or paper towel and dry the surface thoroughly.

5. Avoid Excessive Moisture

Prevent excessive exposure to moisture, such as standing water or high humidity, as it can warp the wood or affect the integrity of the paint finish.

Ensure proper ventilation in the bathroom to minimize moisture levels.

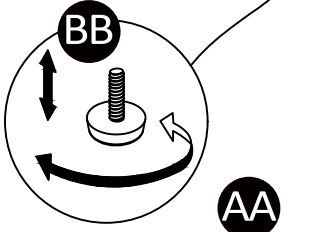
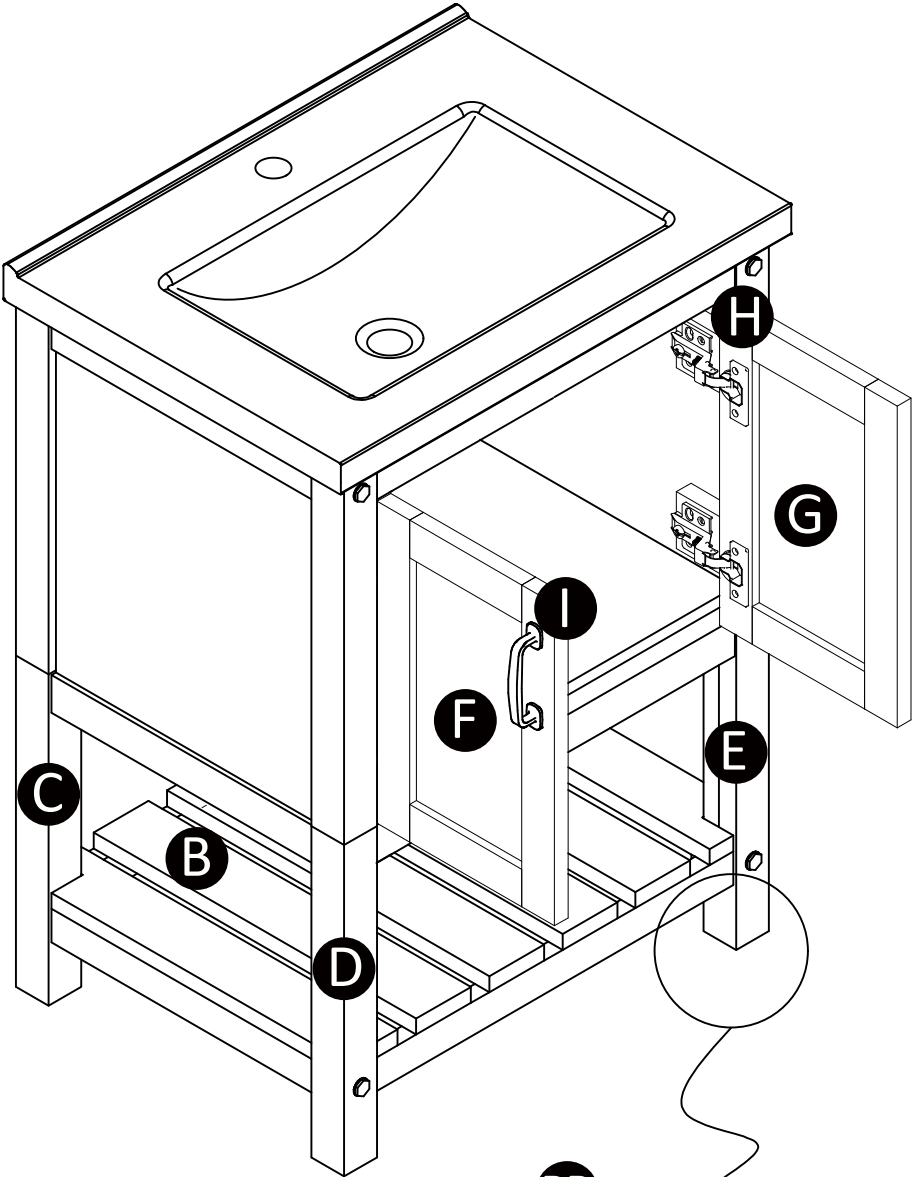
REPLACEMENT PART LIST





Part	Description
B	Shelf***
C	Leg (back right/back left)***
D	Leg (front left)***
E	Leg (front right)***
F	Left door***
G	Right door***
H	Hinge
I	Handle
AA	Hardware pack (① ② ③ ④)
BB	Foot leveler

Note:

***Parts are made-to-order and may not have readily available in our current stock. Please contact us for the most up-to-date lead time regarding these parts.

REPLACEMENT PART



- ①  x8
- ②  x8
- ③  x8
- ④  x1