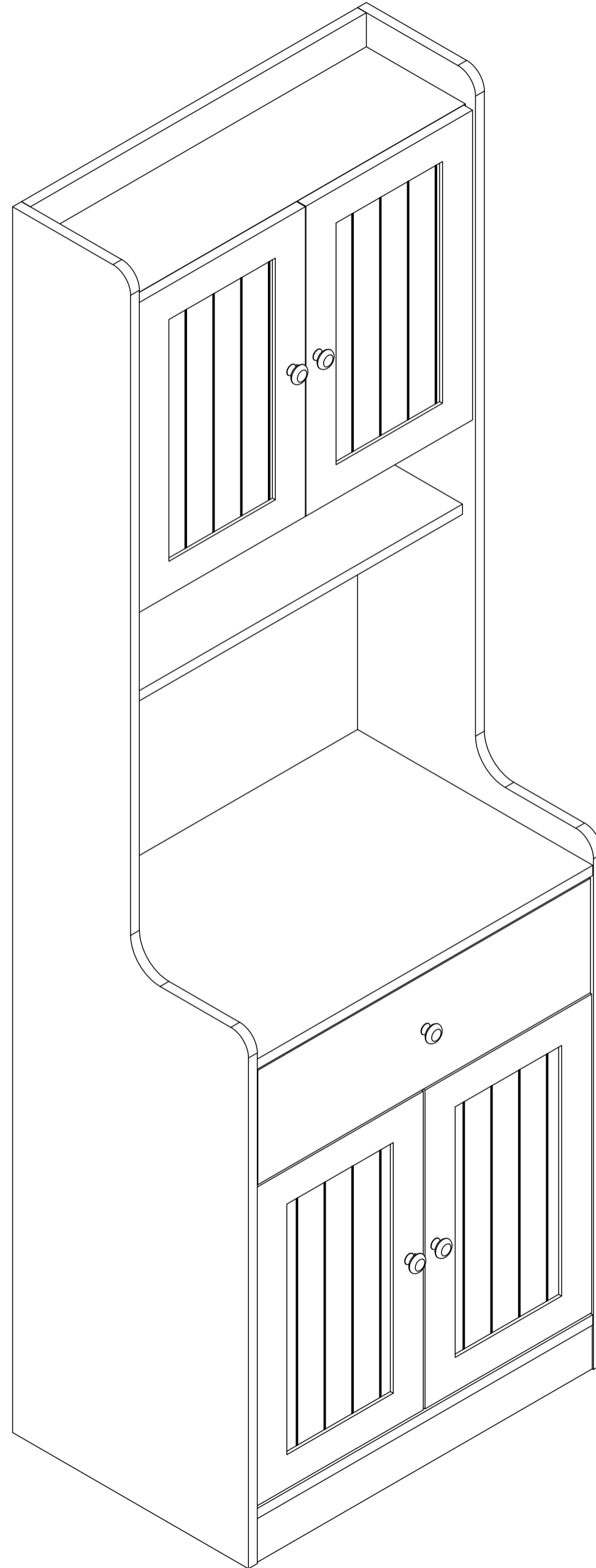


Installation & Assembly

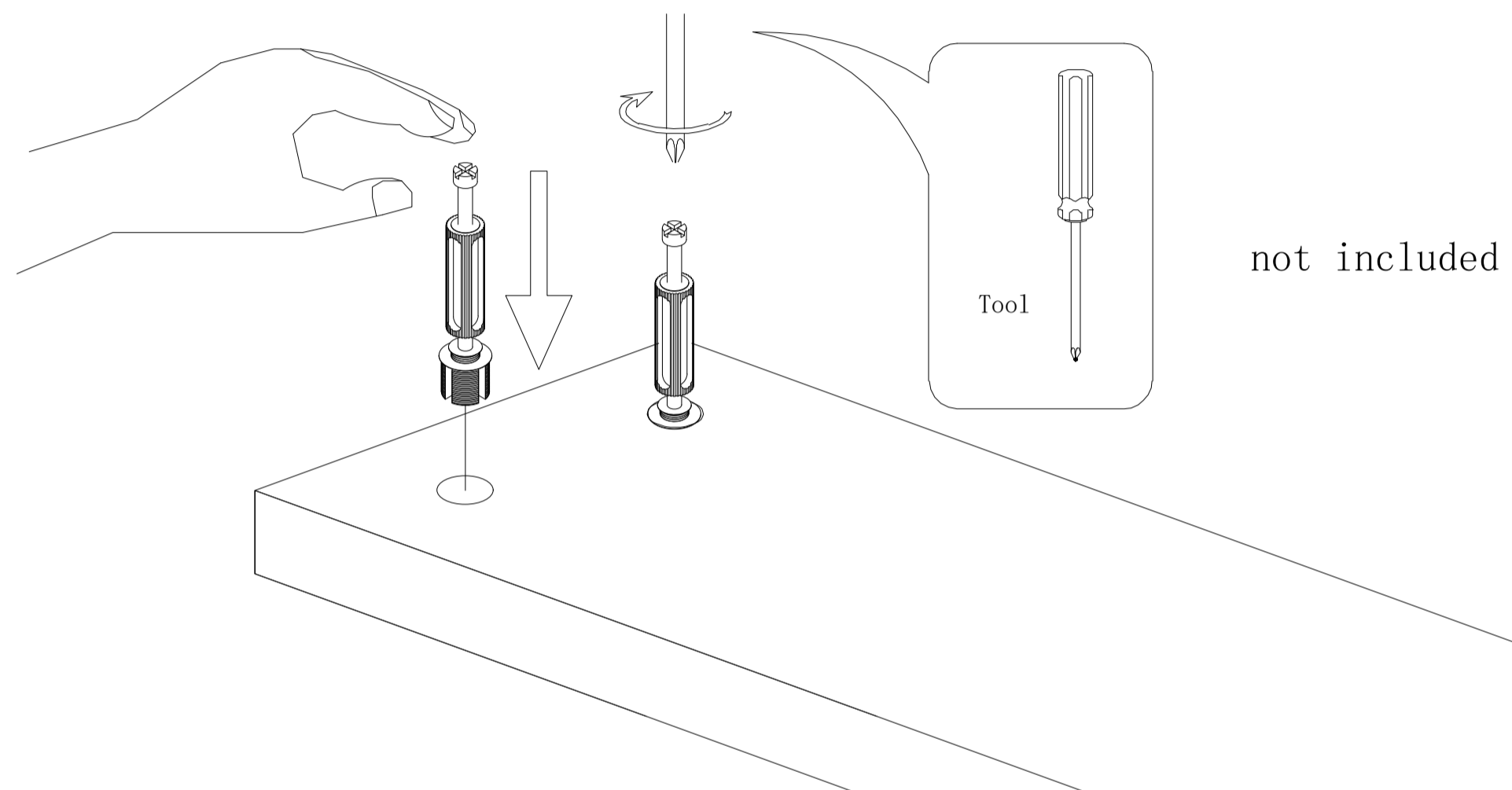




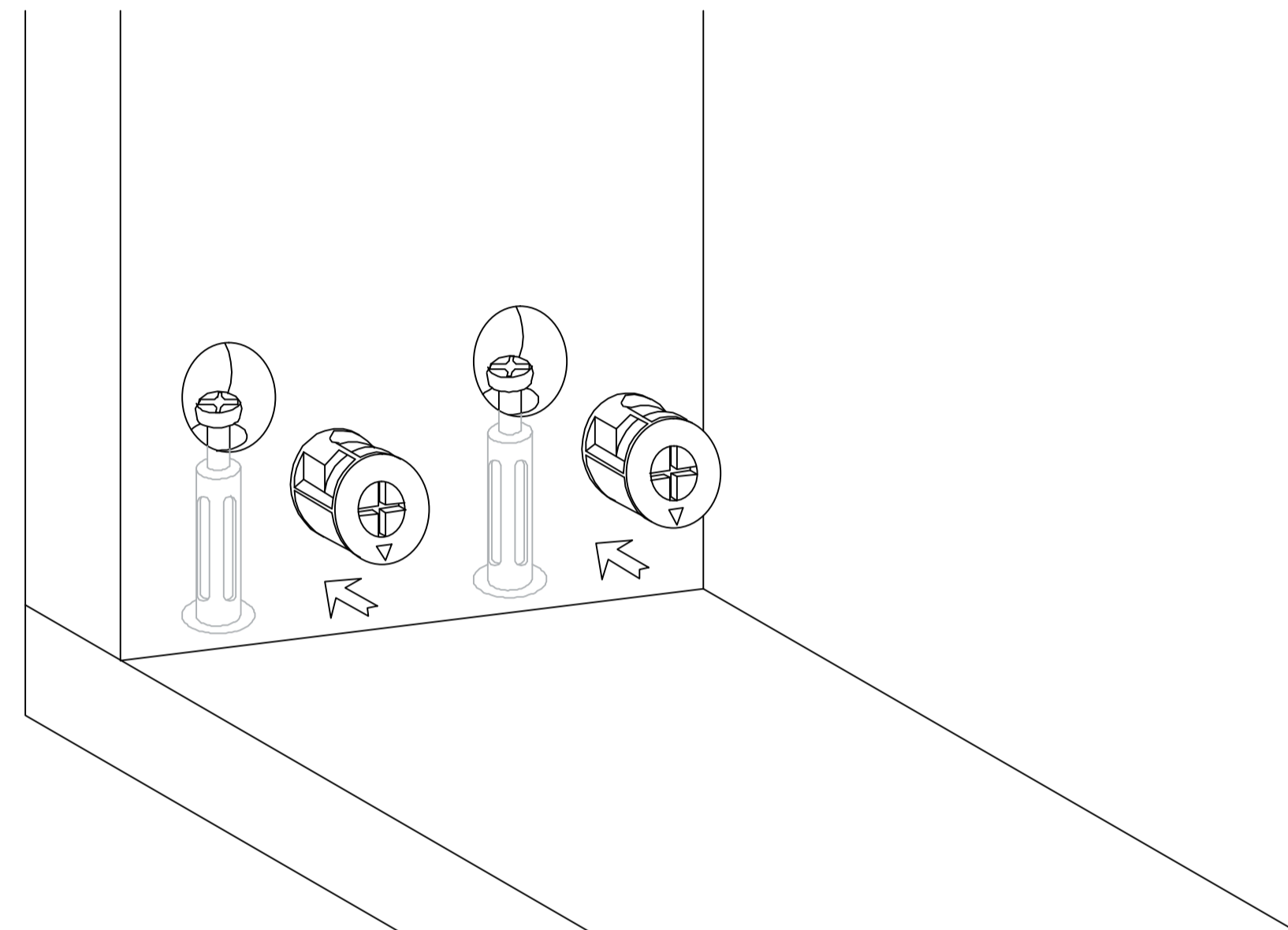
Hardware installation demonstration

NOTE: Please make sure "A" hardware tightened and can't be pulled out!

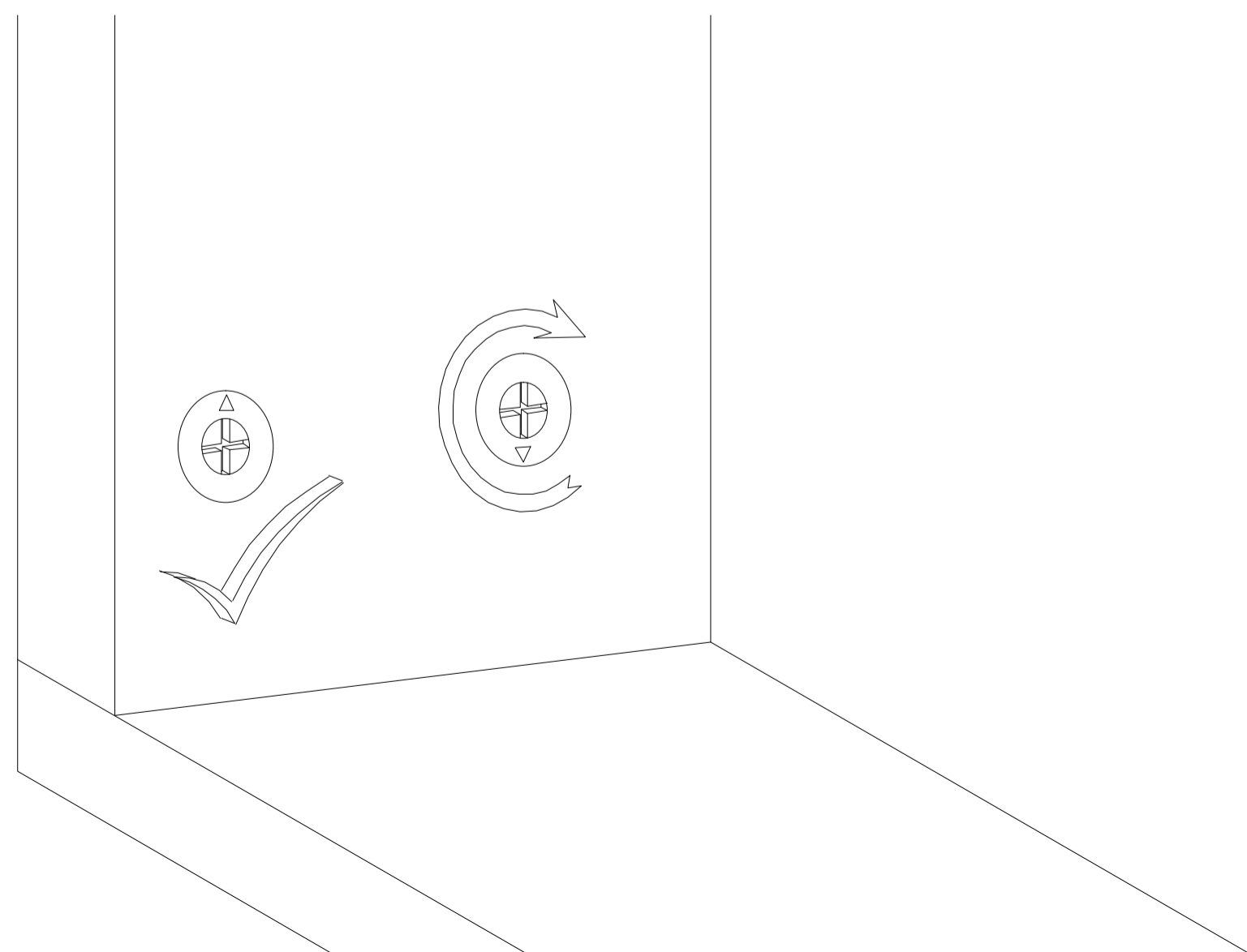
I

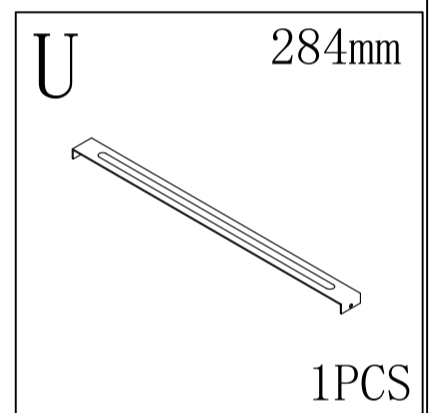
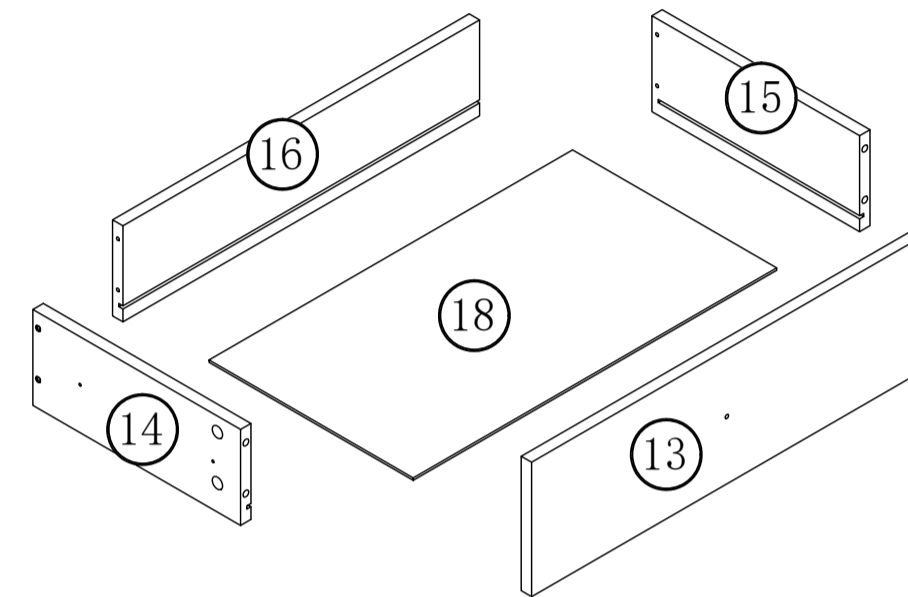
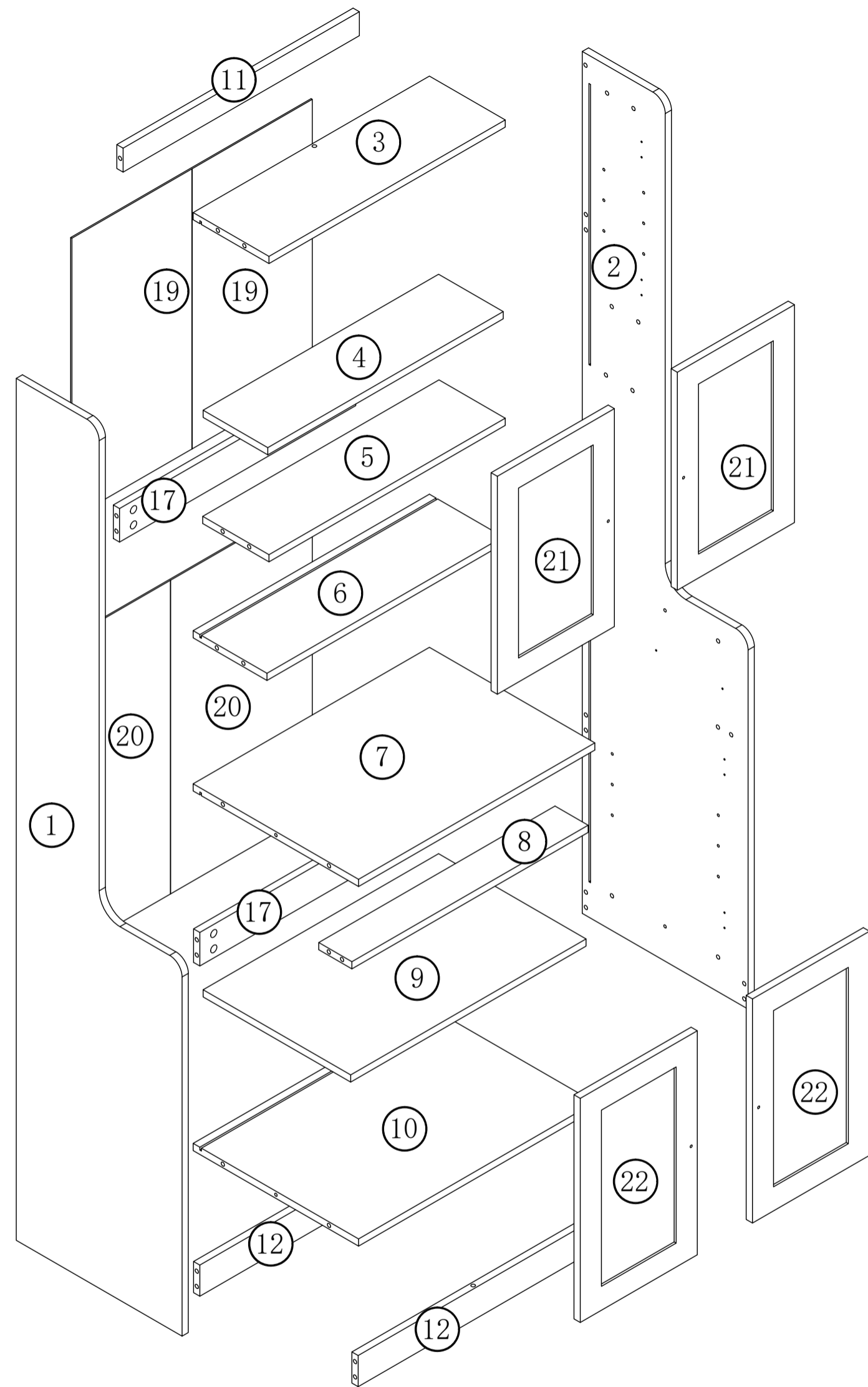


II



III



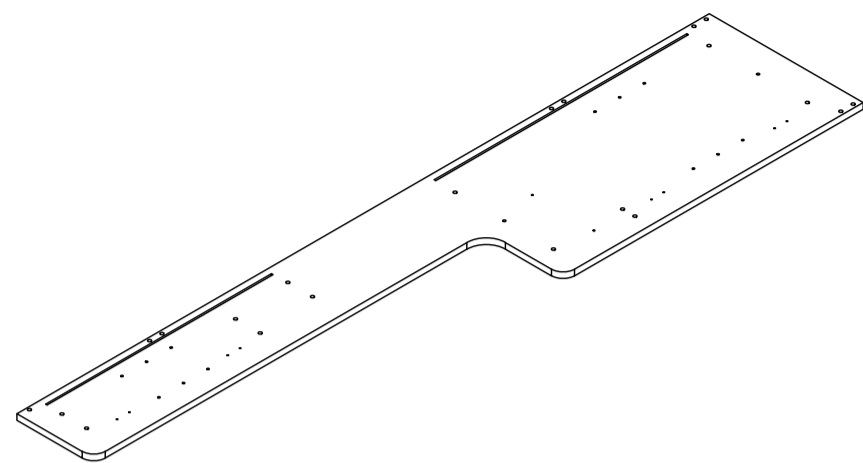


P 16PCS	Q 36PCS	R 8*40 2PCS	S 2PCS	T 8PCS
K → → → K1 K2 1PC				

A 49PCS	B 49PCS	C 8*40 4PCS	D 5PCS	E 4*18 5PCS	F 3*12 16PCS	G 3.5*14 60PCS	H 3.5*35 4PCS	I 4*50 2PCS	J 8PCS
-----------------------	-----------------------	---------------------------	----------------------	---------------------------	----------------------------	------------------------------	-----------------------------	---------------------------	----------------------

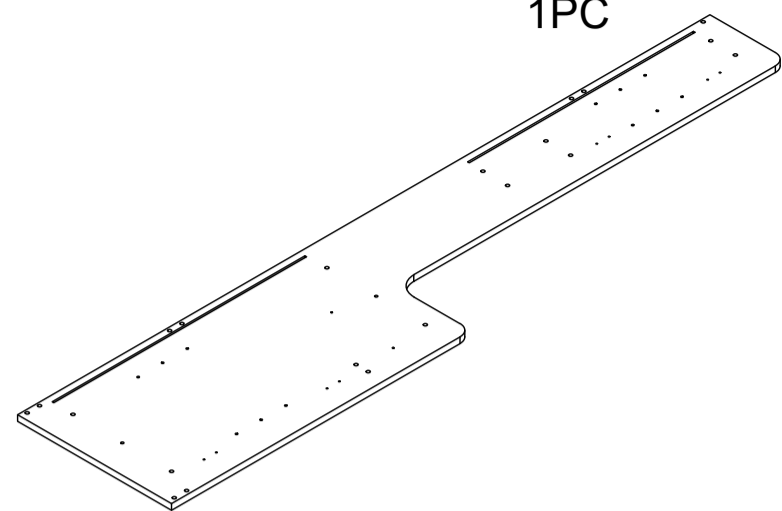
1

1800*400(mm)
70.87*15.75(inch)
1PC



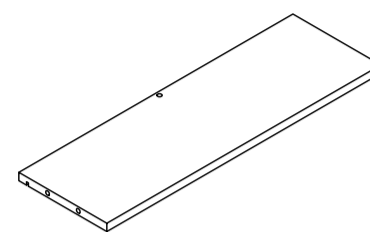
2

1800*400(mm)
70.87*15.75(inch)
1PC



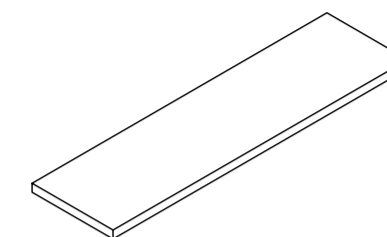
3

570*183(mm)
22.44*7.2(inch)
1PC



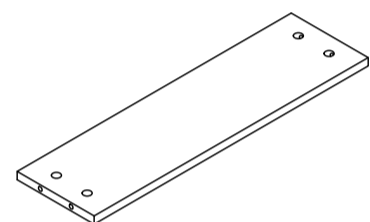
4

568*156(mm)
22.36*6.14(inch)
1PC



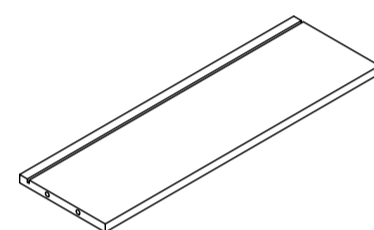
5

570*160(mm)
22.44*6.3(inch)
1PC



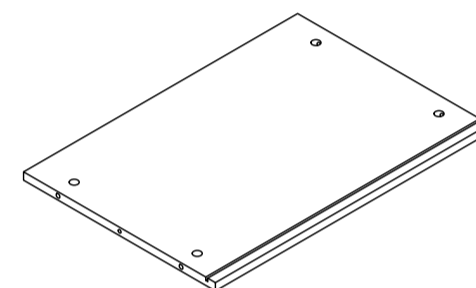
6

570*178(mm)
22.44*7.01(inch)
1PC



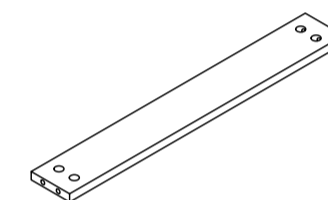
7

570*399(mm)
22.44*15.71(inch)
1PC



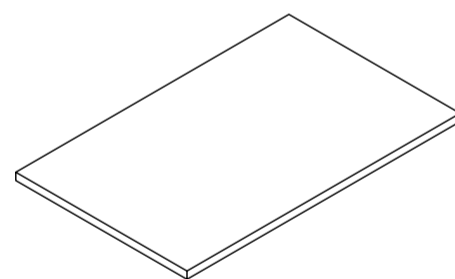
8

570*80(mm)
22.44*3.15(inch)
1PC



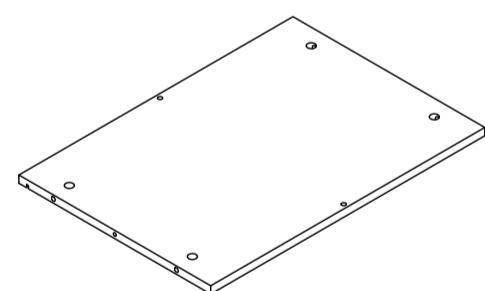
9

568*356(mm)
22.36*14.02(inch)
1PC



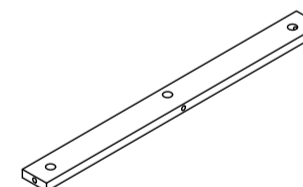
10

570*399(mm)
22.44*15.71(inch)
1PC



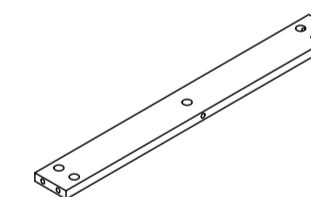
11

570*50(mm)
22.44*1.97(inch)
1PC



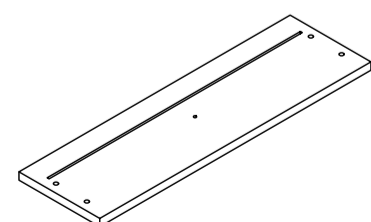
12

570*65(mm)
22.44*2.56(inch)
2PCS



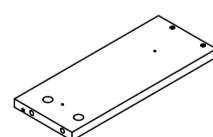
13

564*168(mm)
22.2*6.61(inch)
1PC



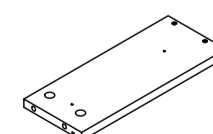
14

300*120(mm)
11.81*4.72(inch)
1PC



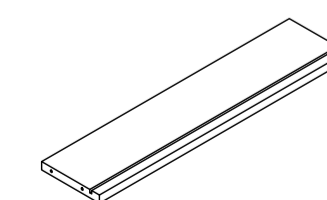
15

300*120(mm)
11.81*4.72(inch)
1PC



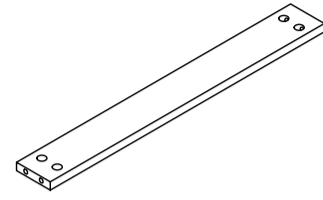
16

515*120(mm)
20.28*4.72(inch)
1PC



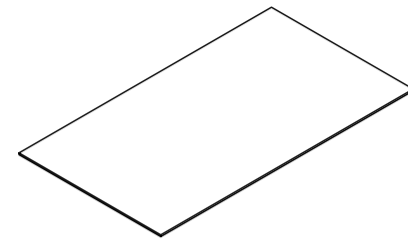
17

570*70(mm)
22.44*2.76(inch)
2PCS



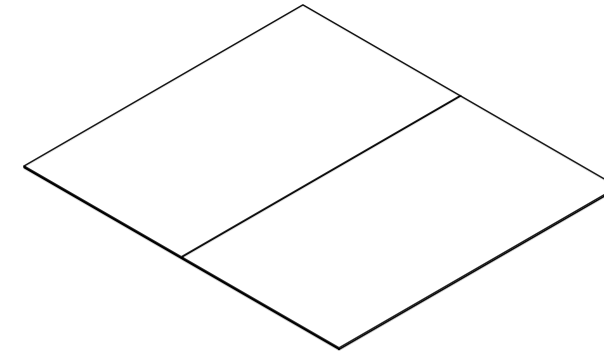
18

525*295(mm)
20.67*11.61(inch)
1PC



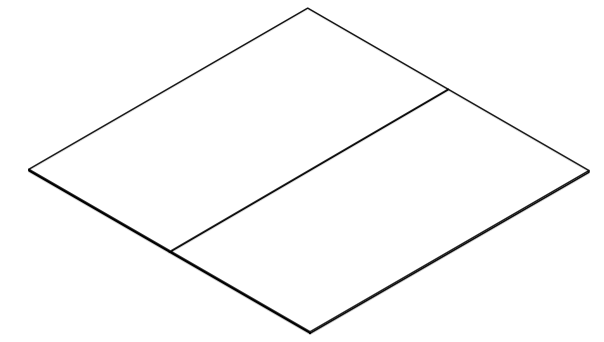
19

585*290(mm)
23.03*11.42(inch)
1PCS



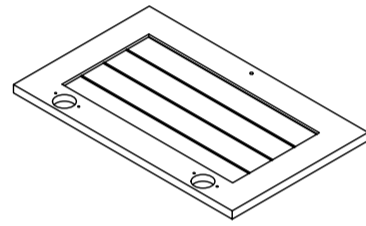
20

655*290(mm)
25.79*11.42(inch)
1PCS

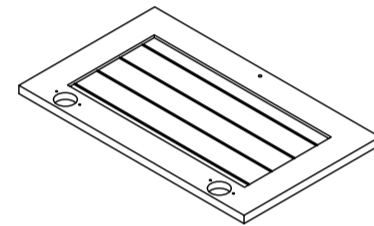


21

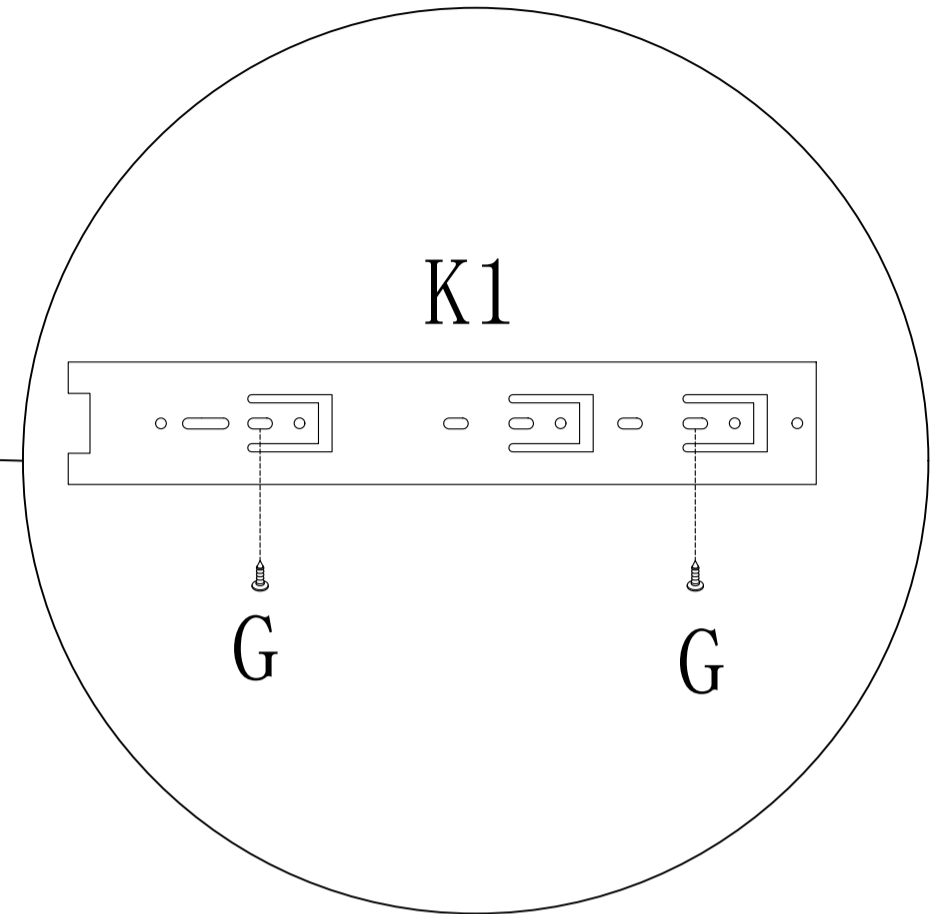
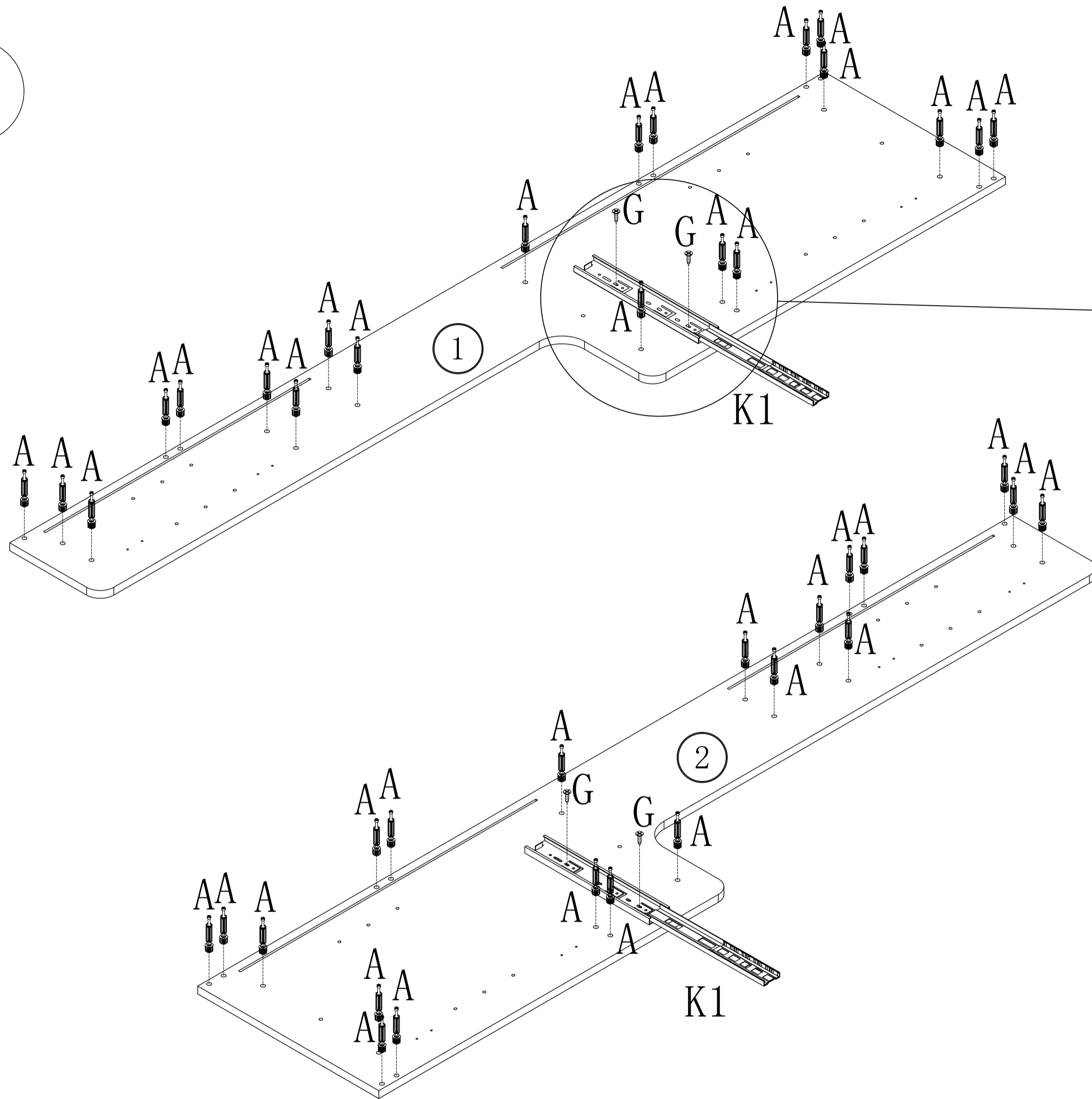
455*280.5(mm)
17.91*11.04(inch)
2PCS

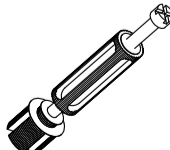
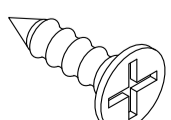
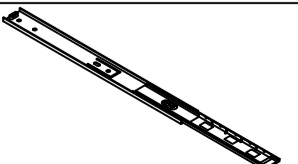


468*280.5(mm)
18.43*11.04(inch)
2PCS



1



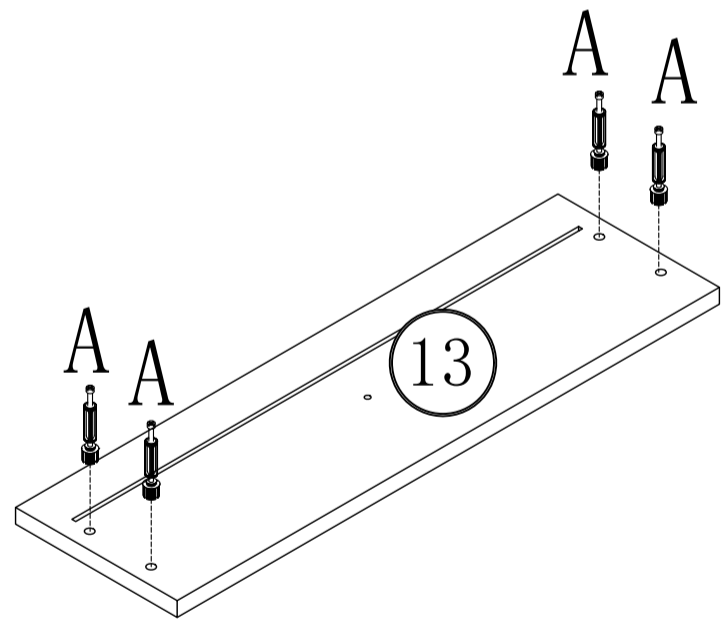
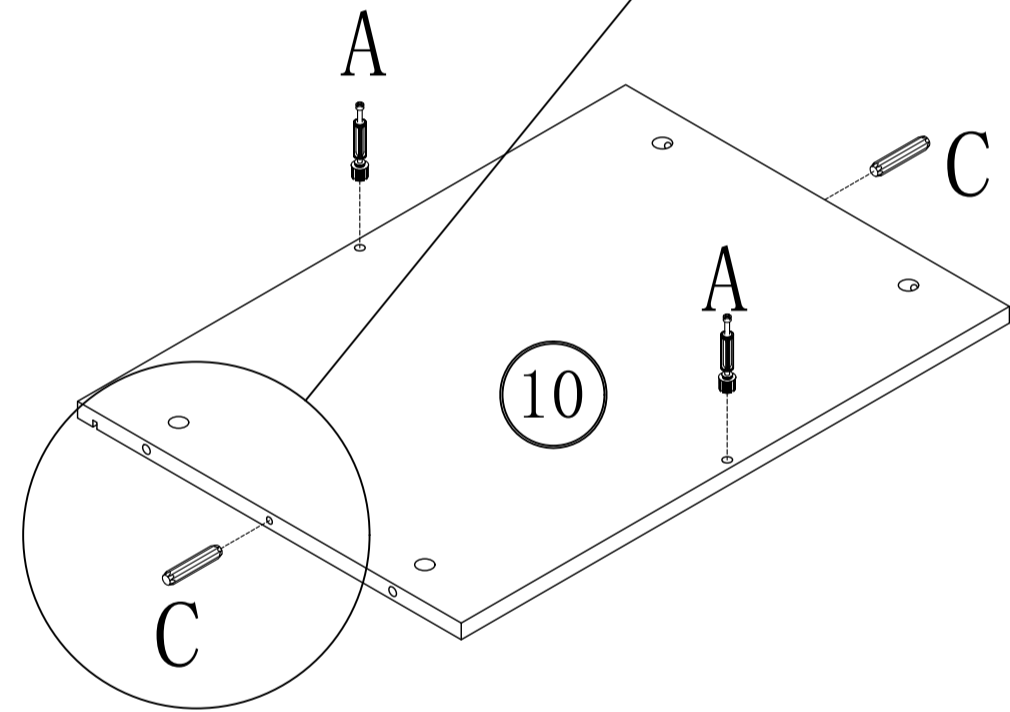
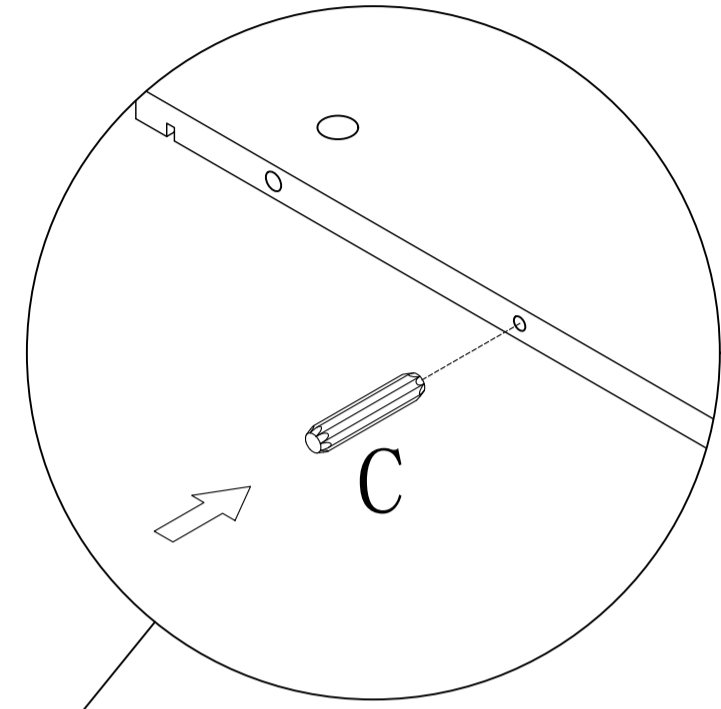
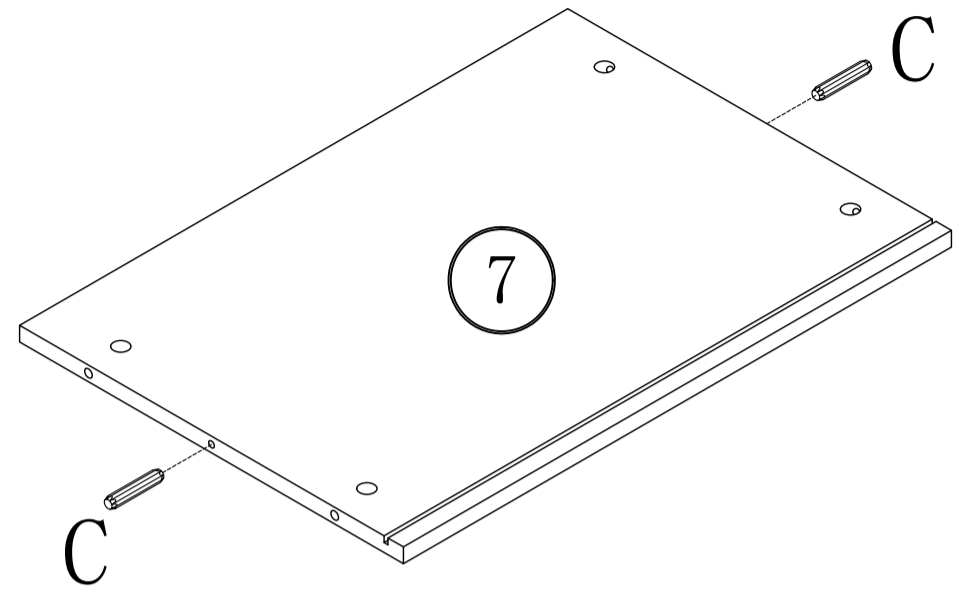
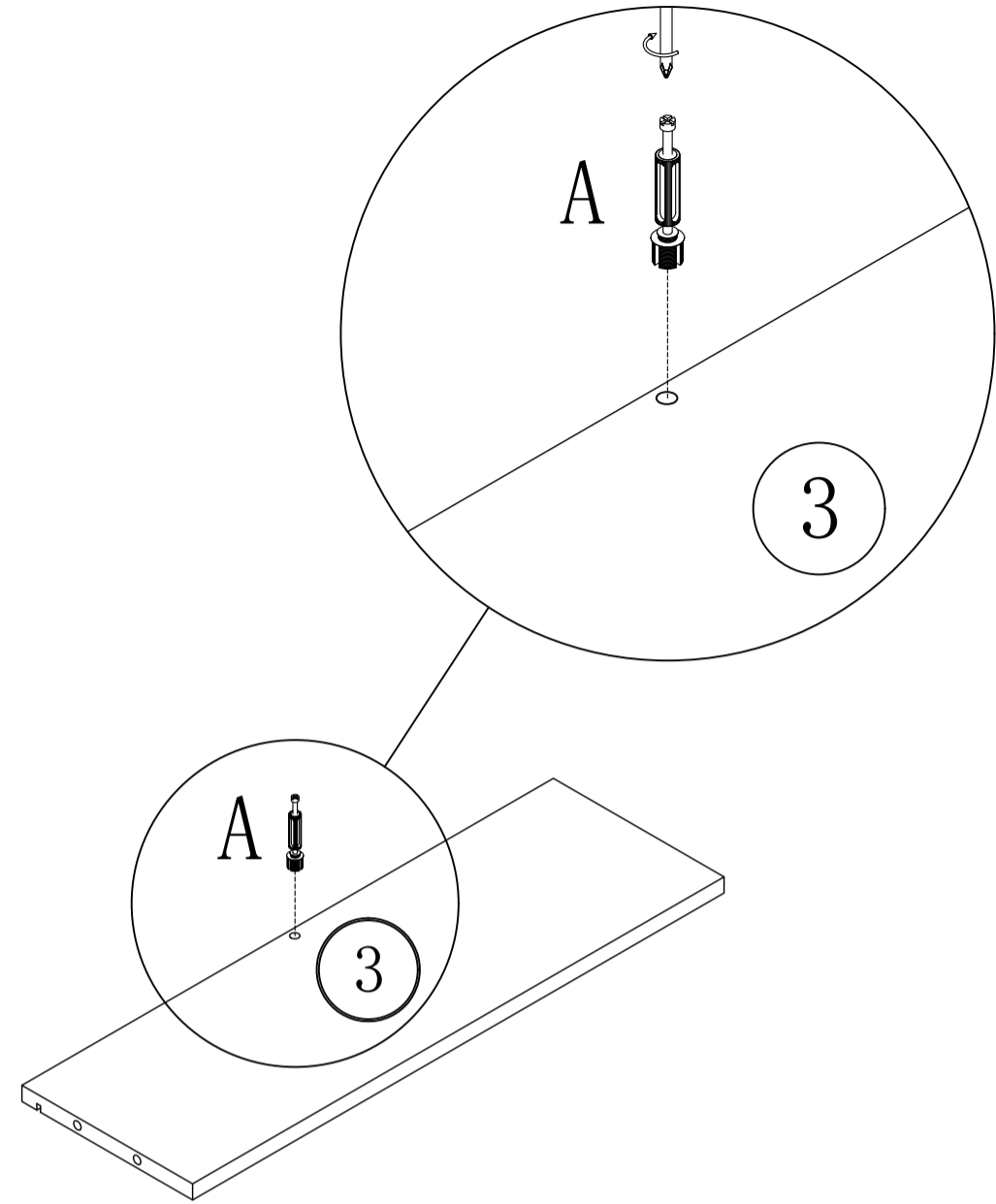
	A*42		
	G*4		K1*2

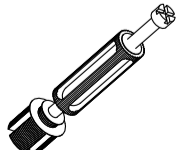
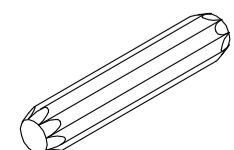
put A on board

1

2

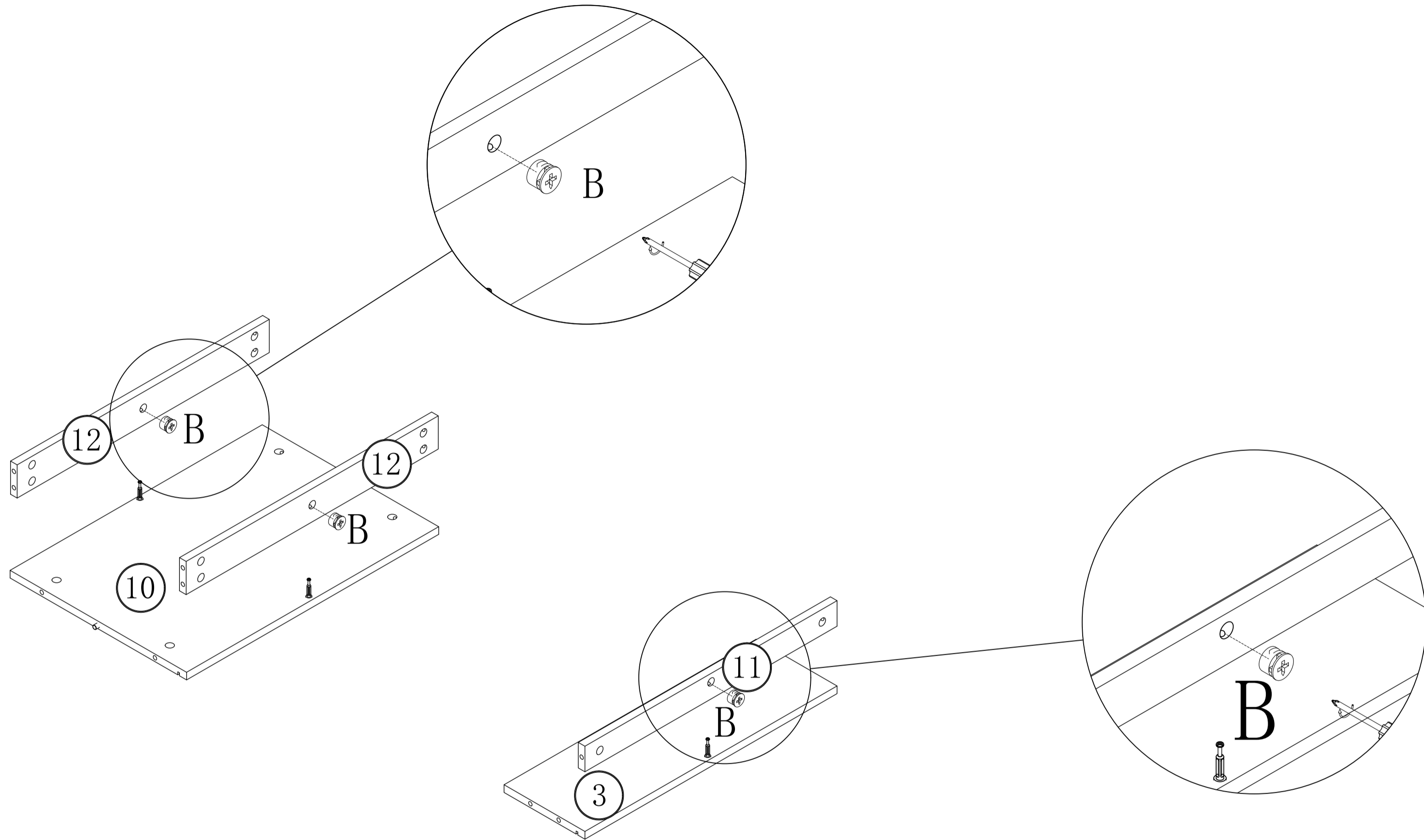
2



	A*7
	C*4

put A on board (3) (10) (13)
 put C on board (7) (10)

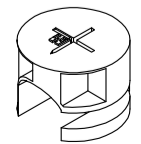
3



put B on board

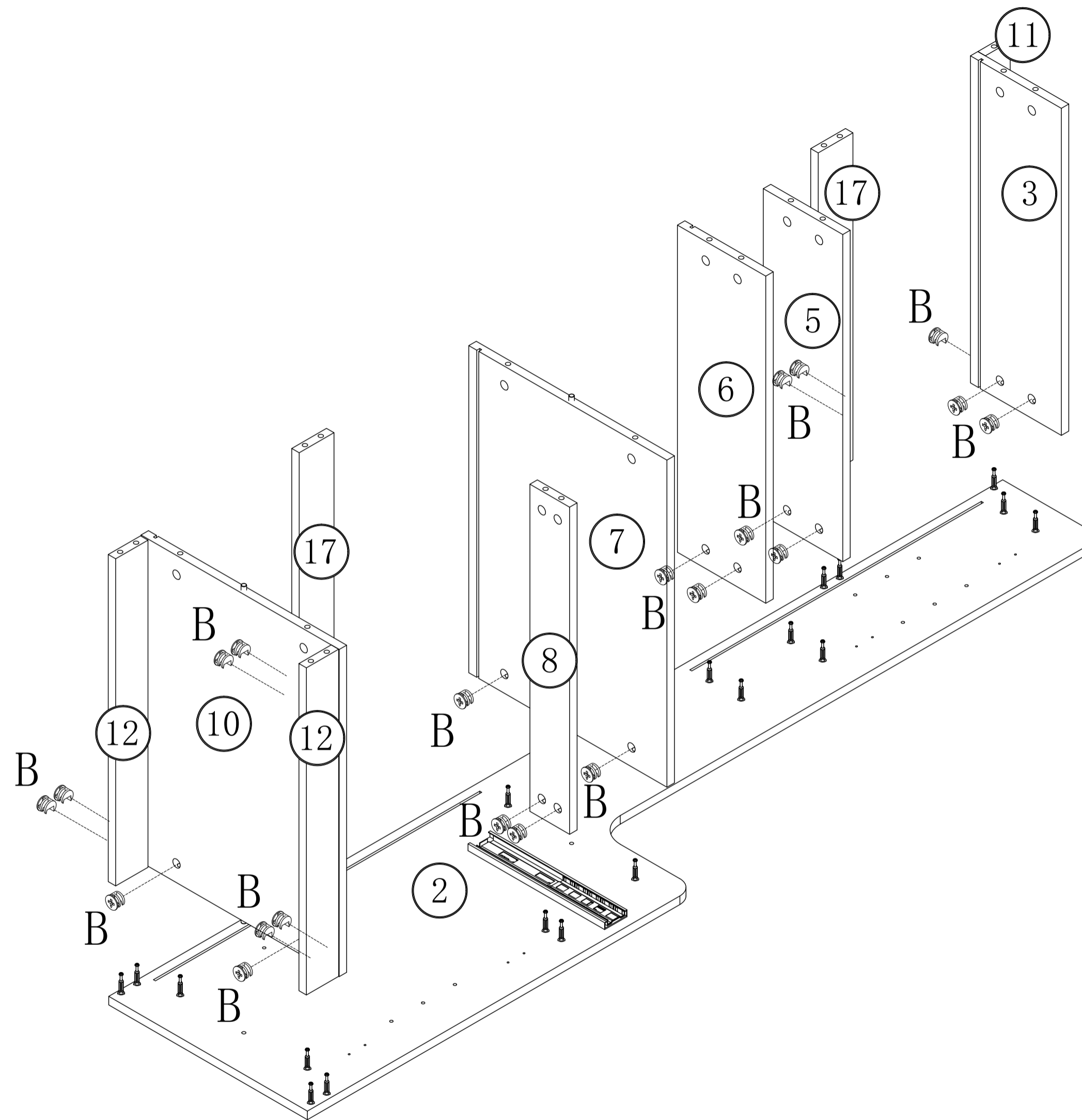
11

12

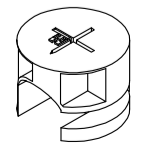


B*3

4

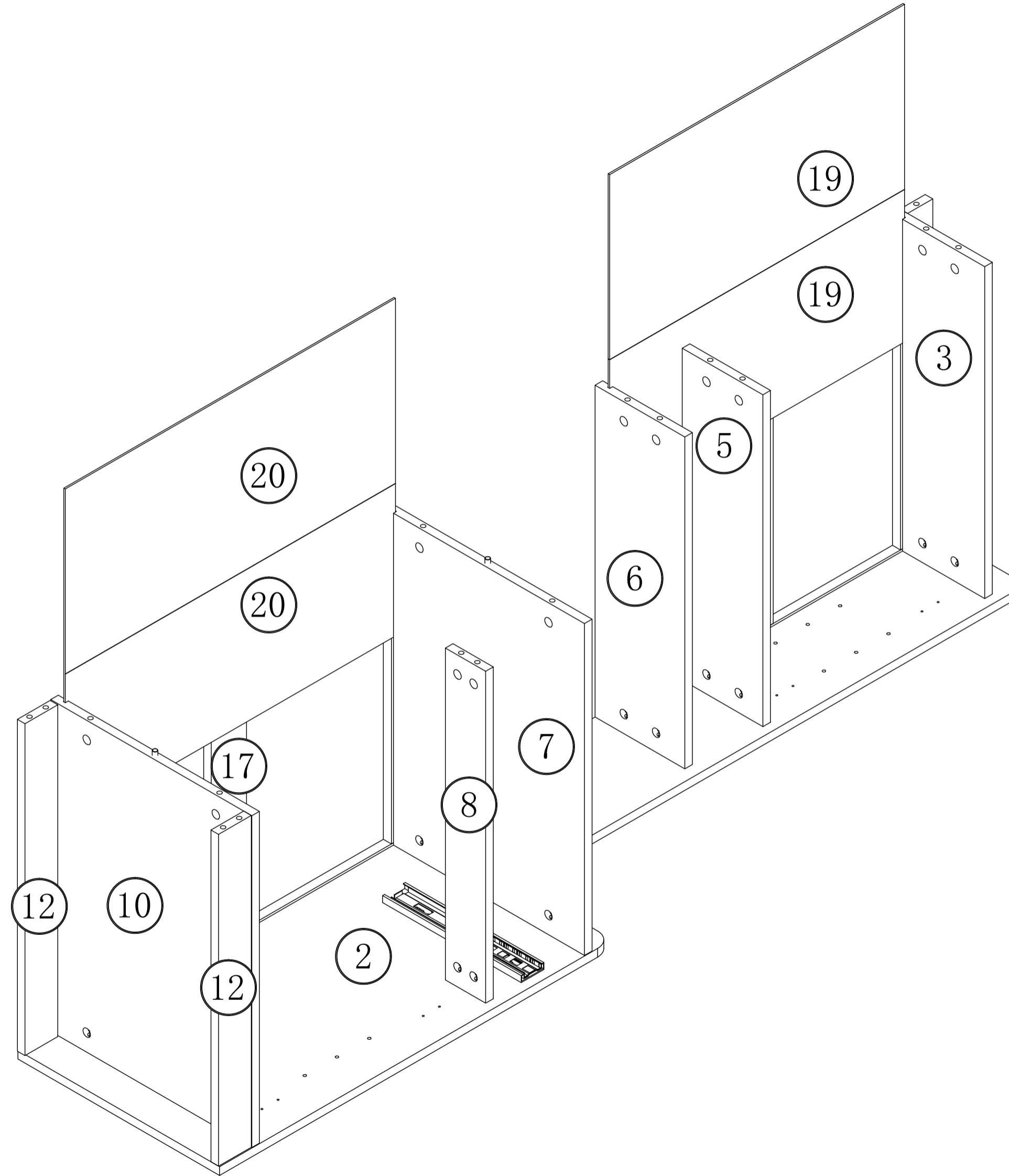


put B on board (3) (5) (6) (7) (8)
(10) (11) (12) (17)

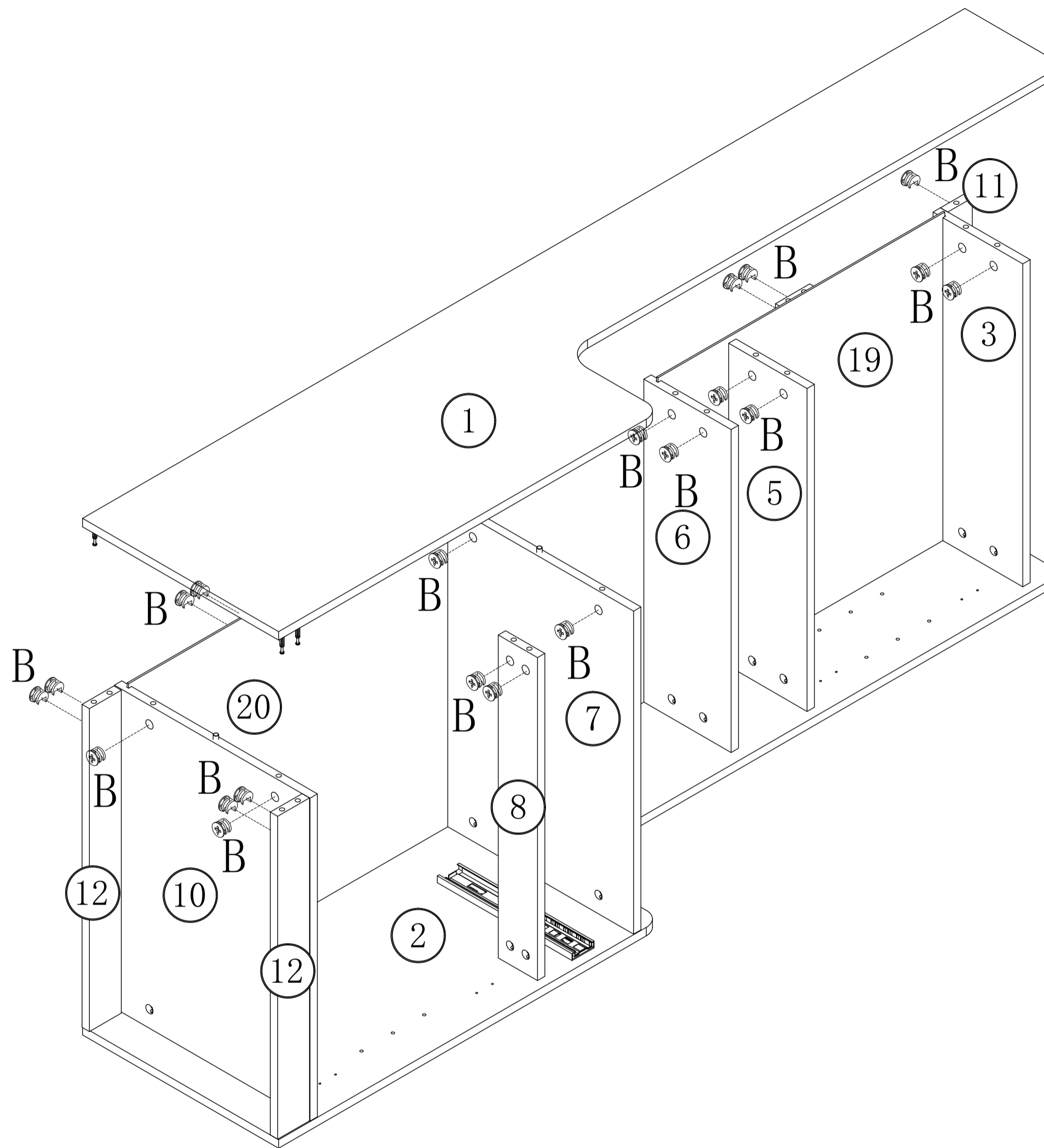


B*21

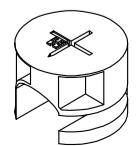
5



6

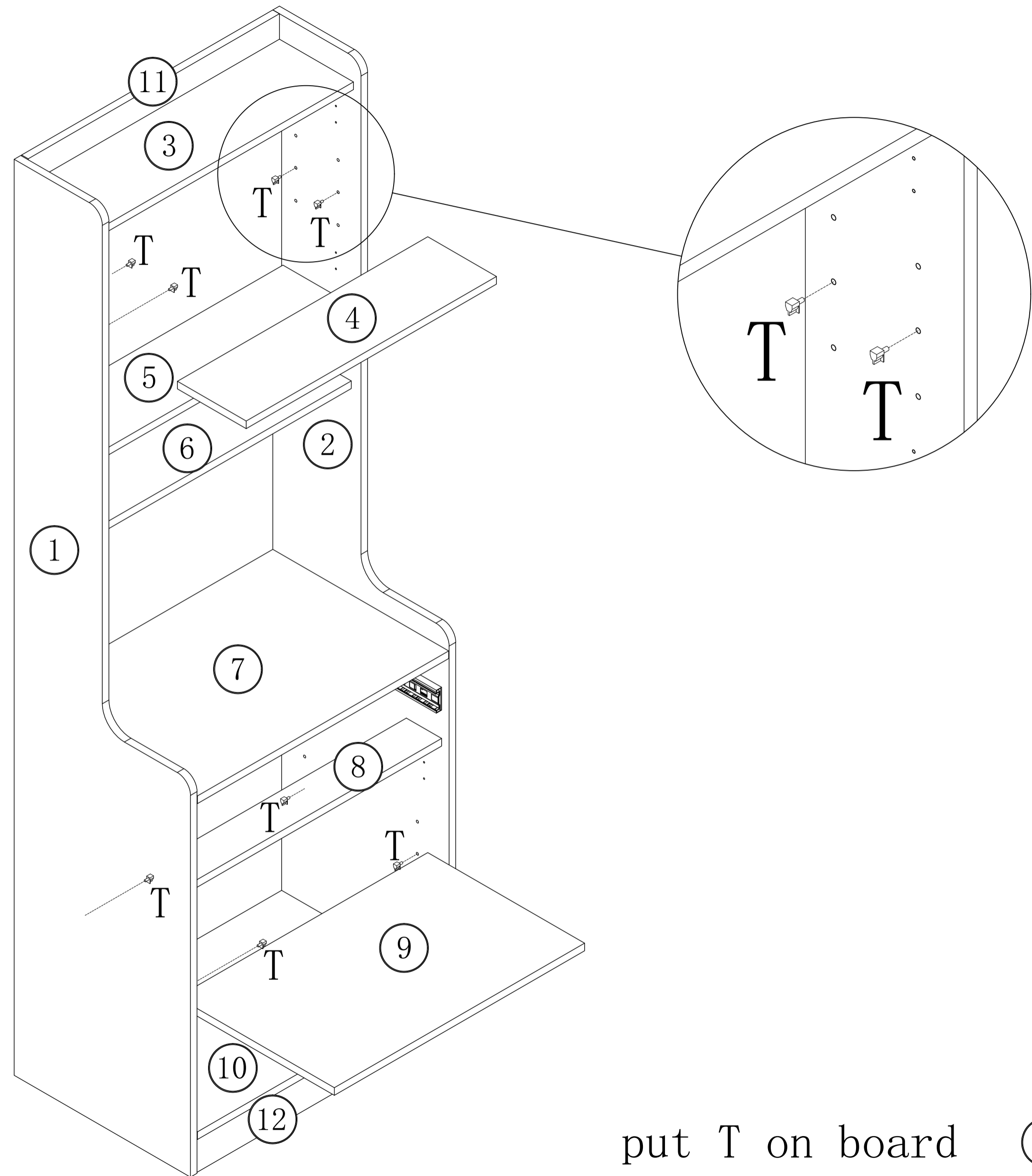


put B on board (3) (5) (6) (7) (8)
(10) (11) (12) (17)

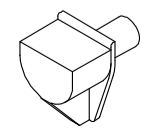


B*21

7

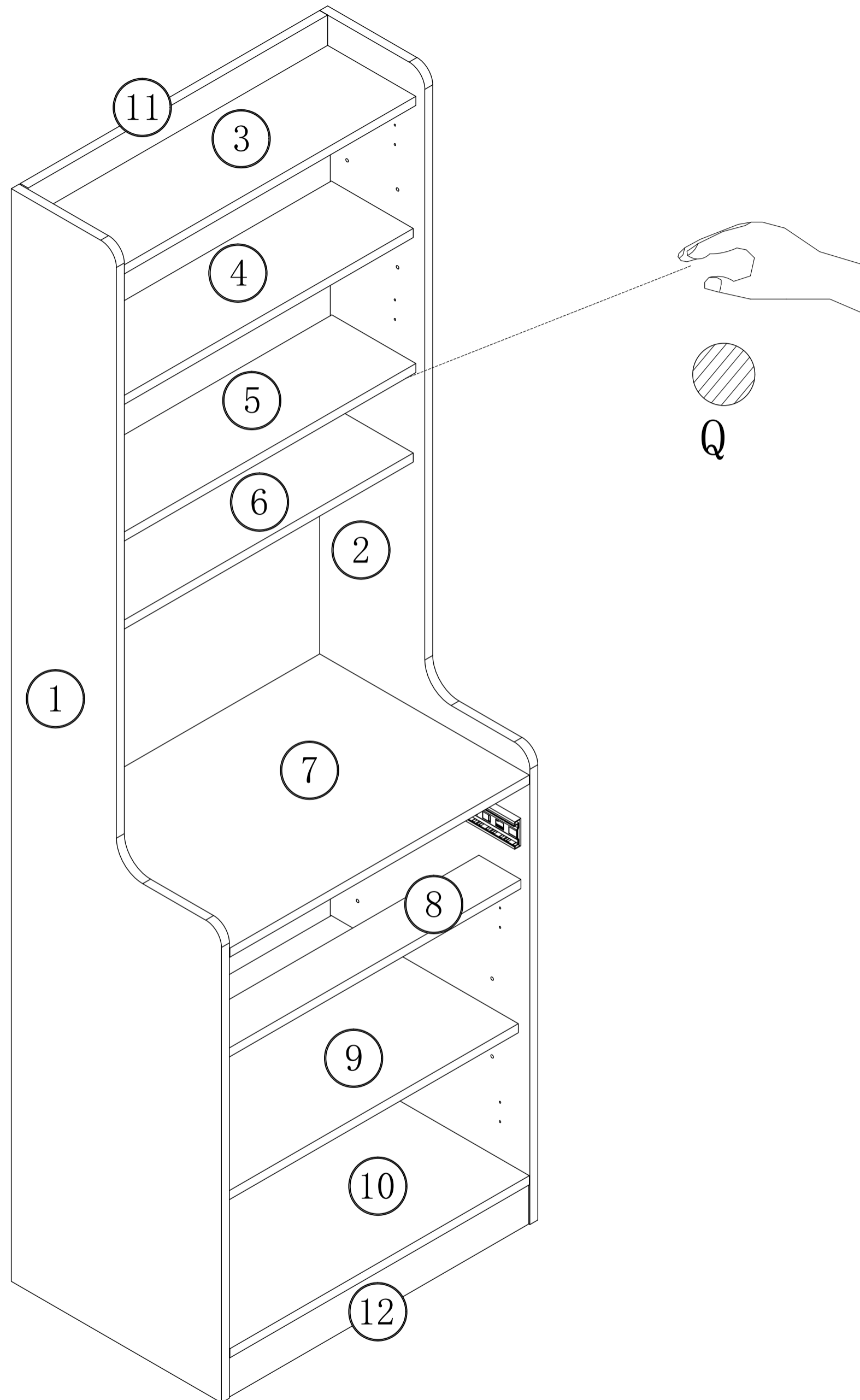


put T on board ① ②



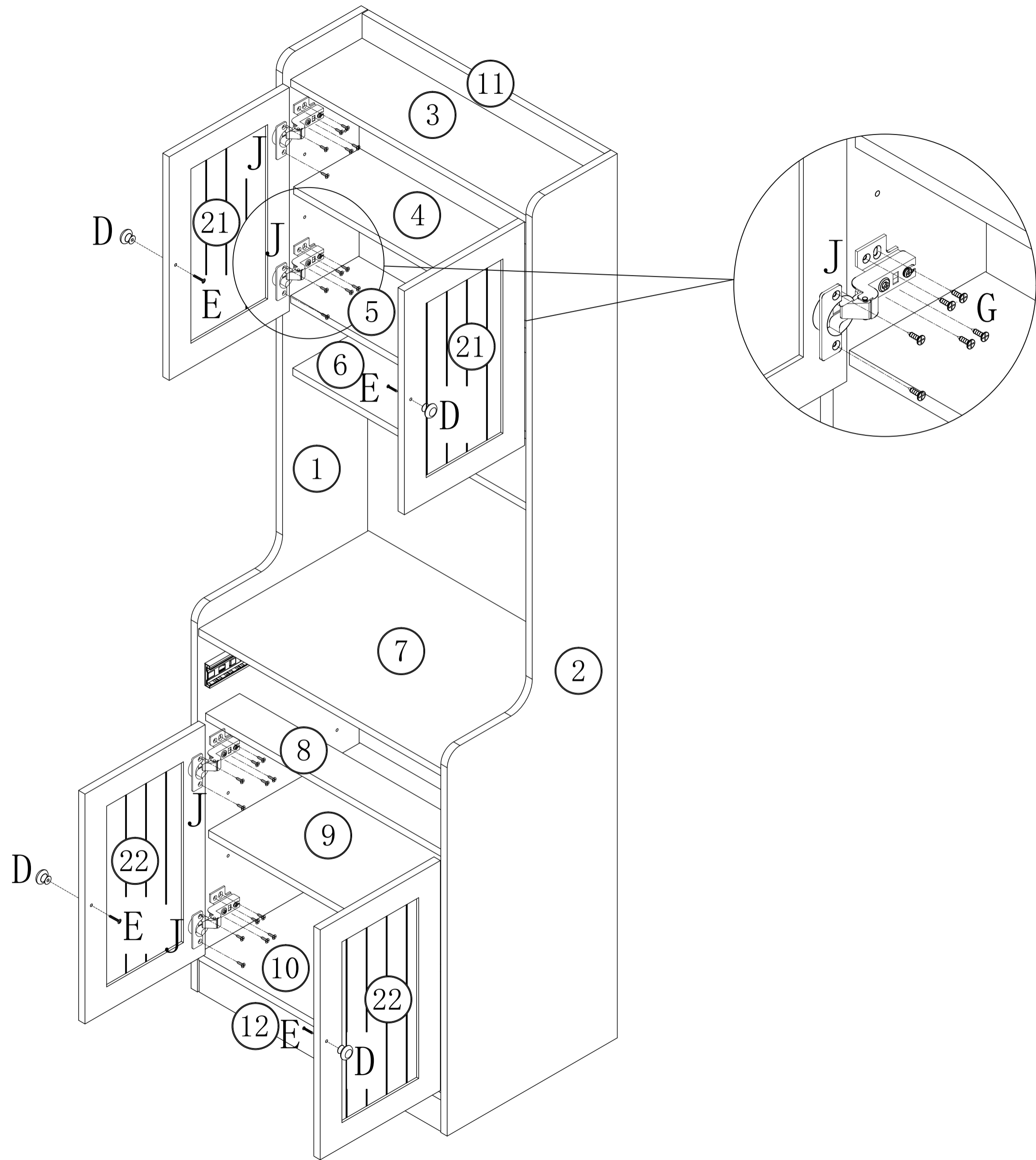
T*8



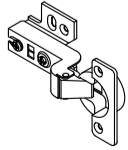
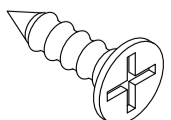
8



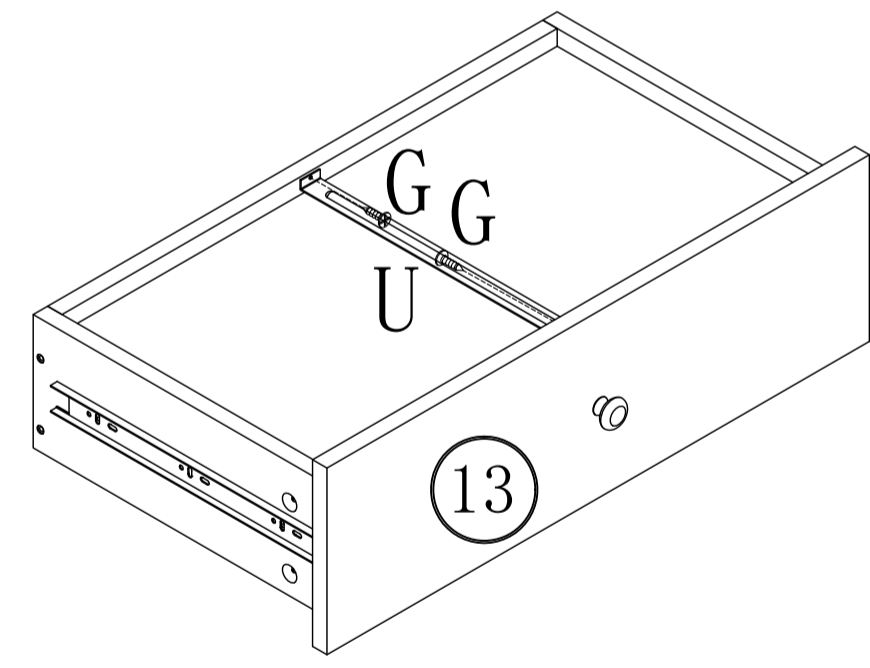
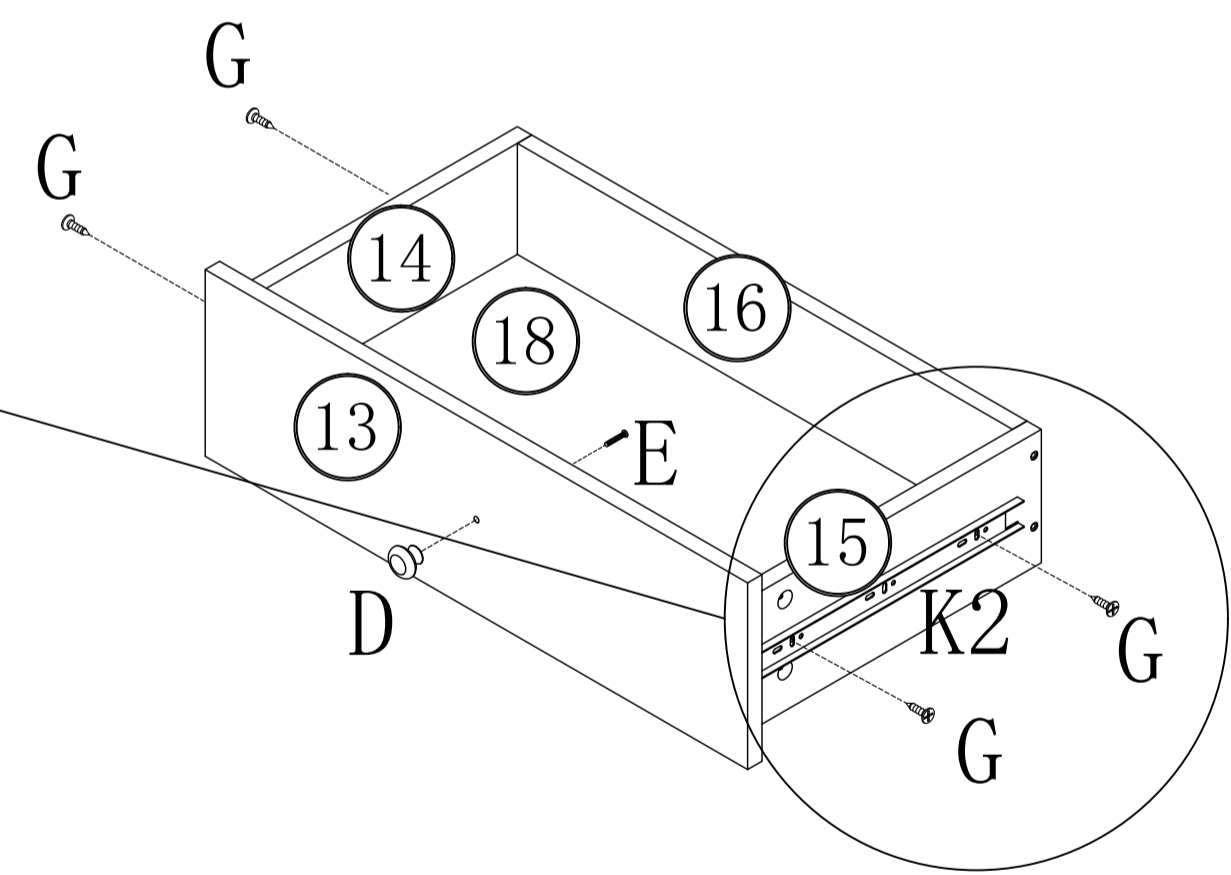
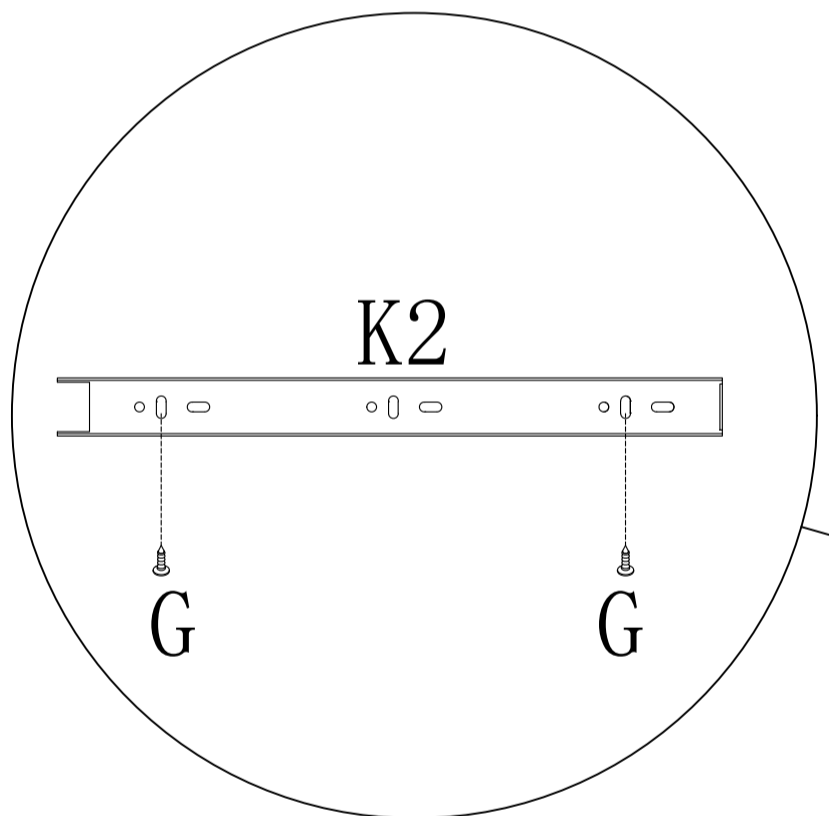
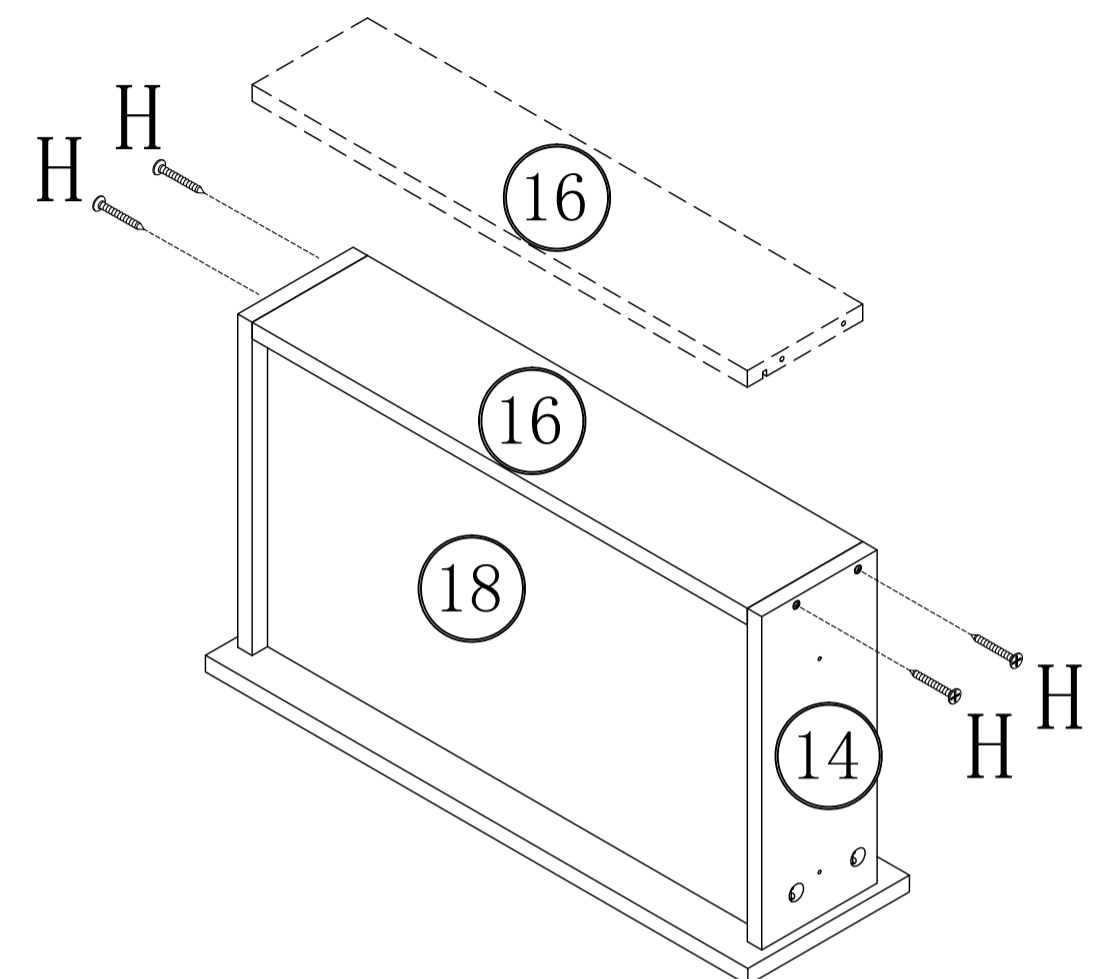
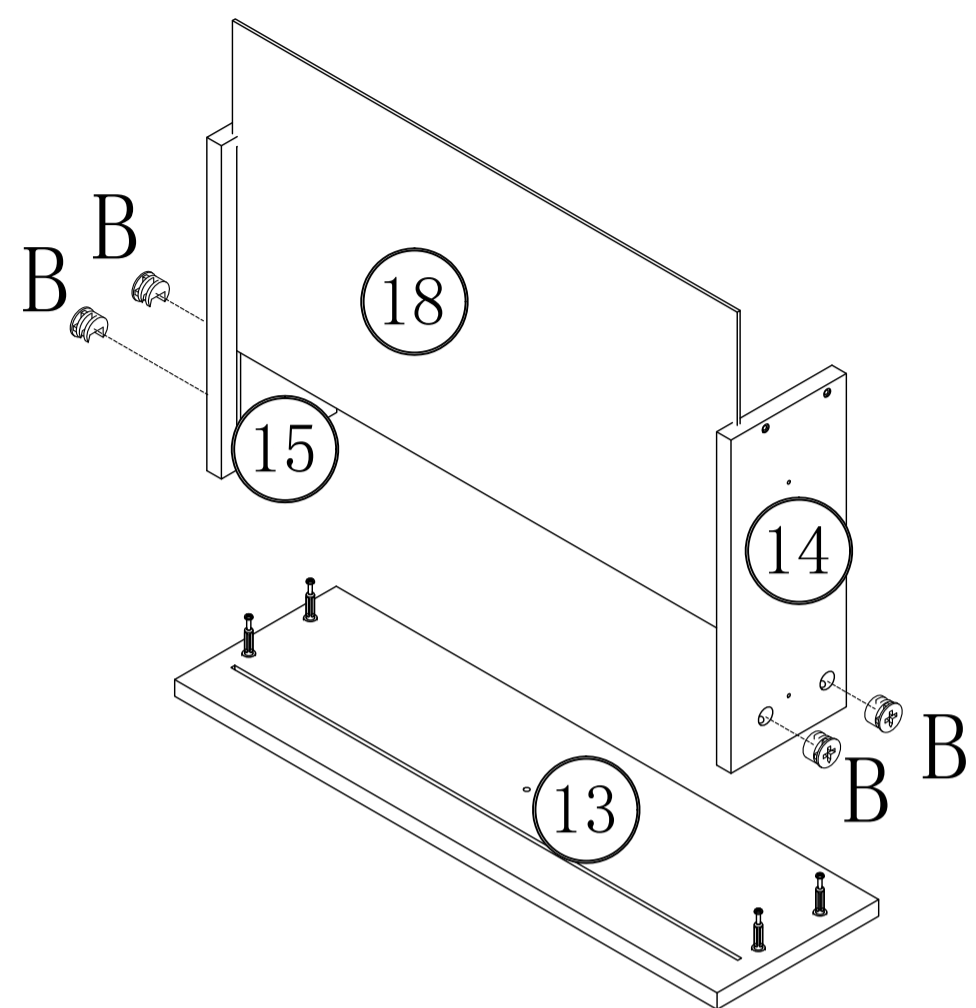
Q*36

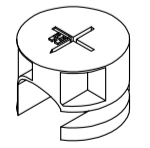
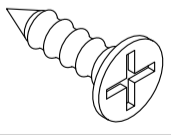
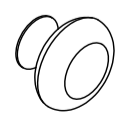
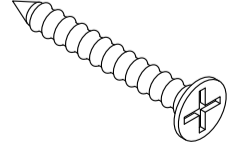

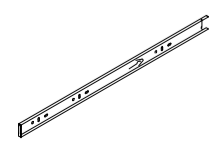
9

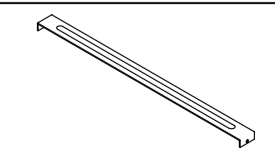


	D*4
	E*4
	J*8
	G*48

10



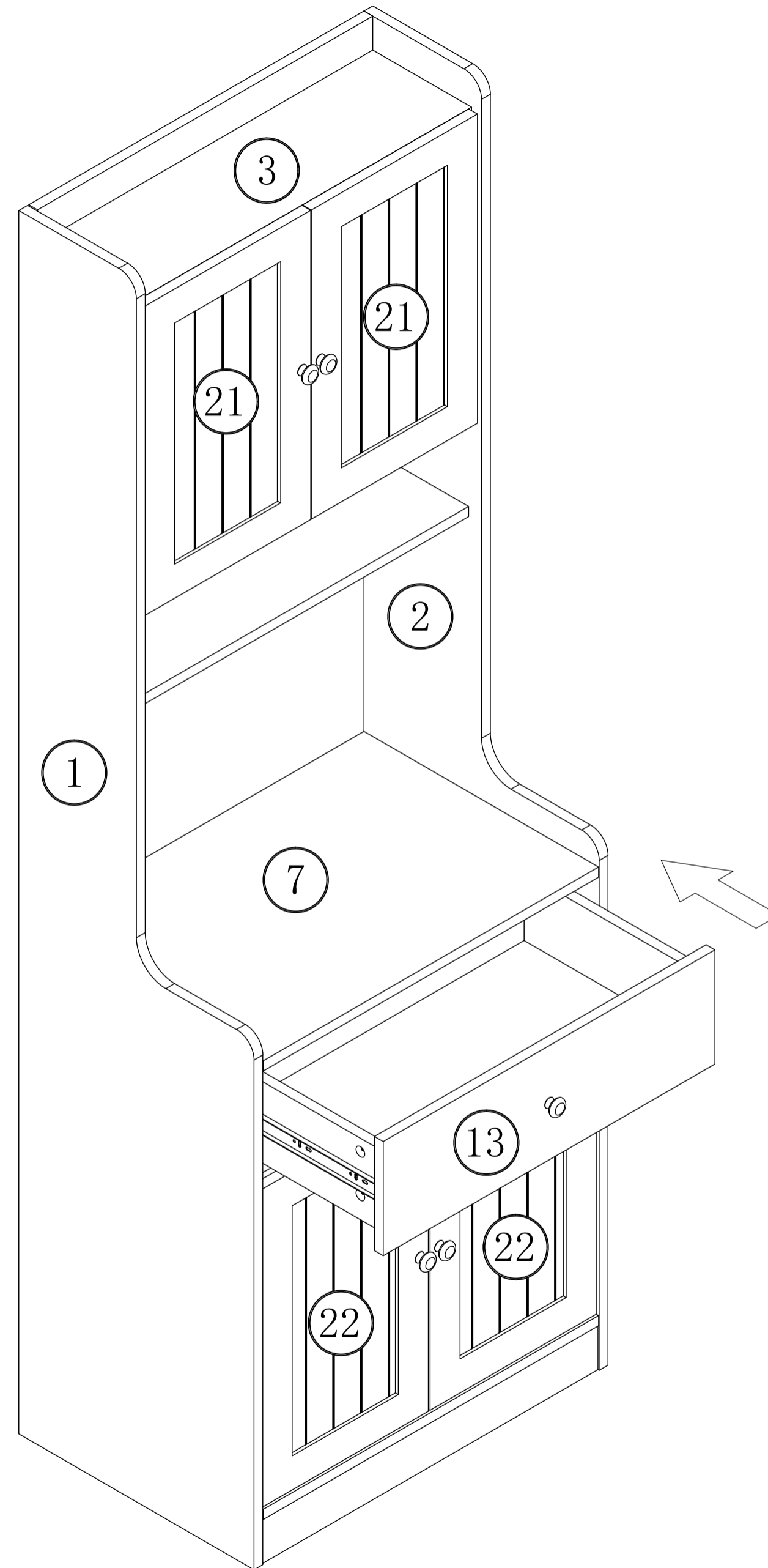
	B*4		G*6
	D*1		H*4
	E*1		K2*2



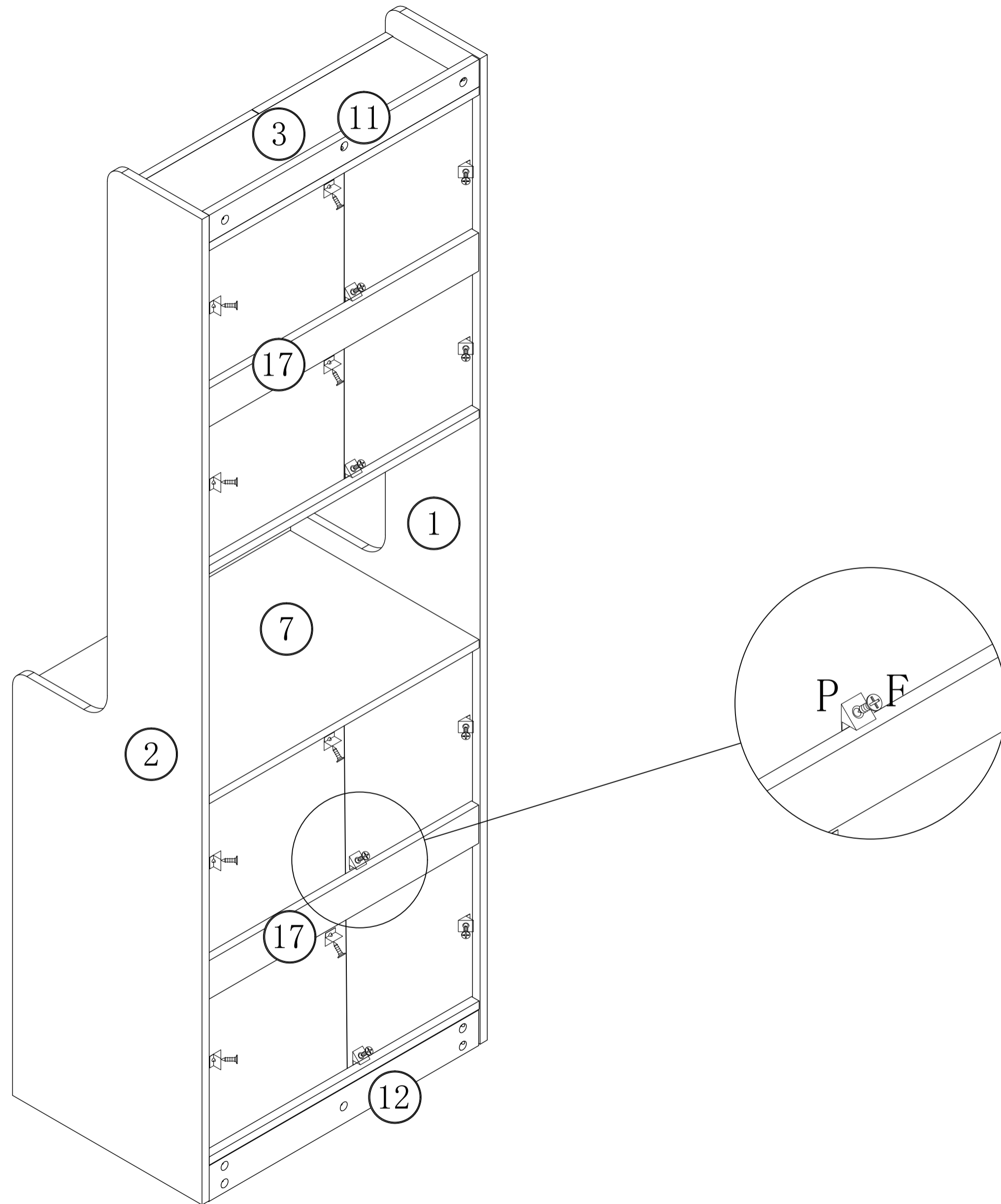
U*1

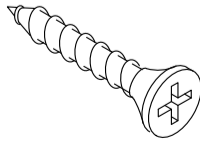
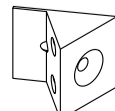
put B on board 14 15

11

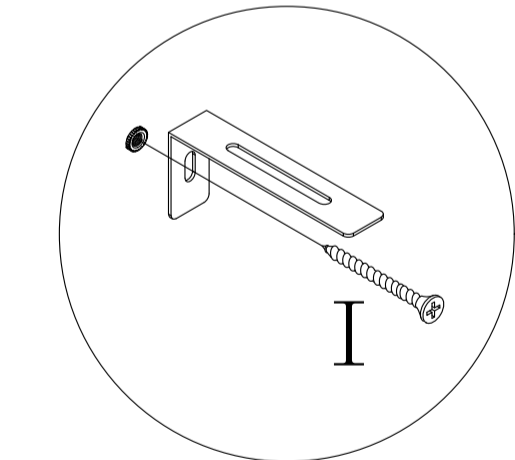
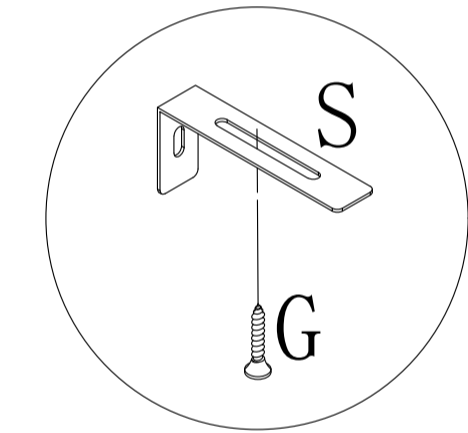
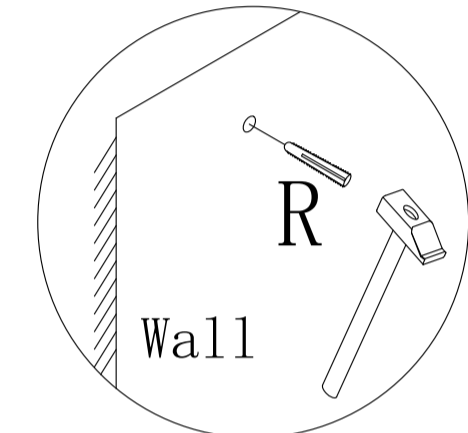
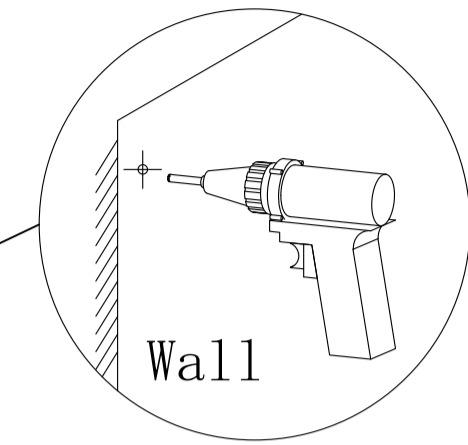
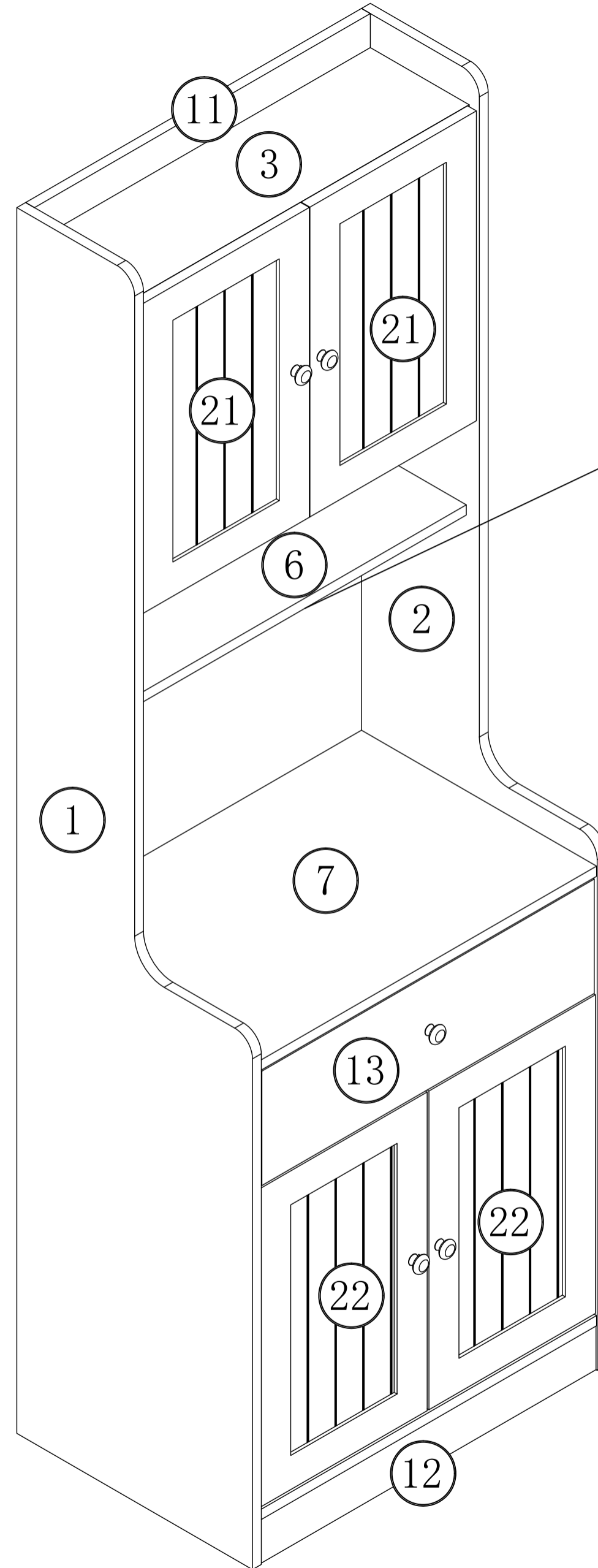


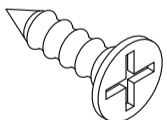
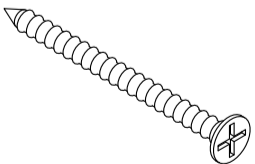
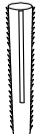
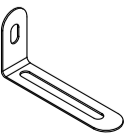
12



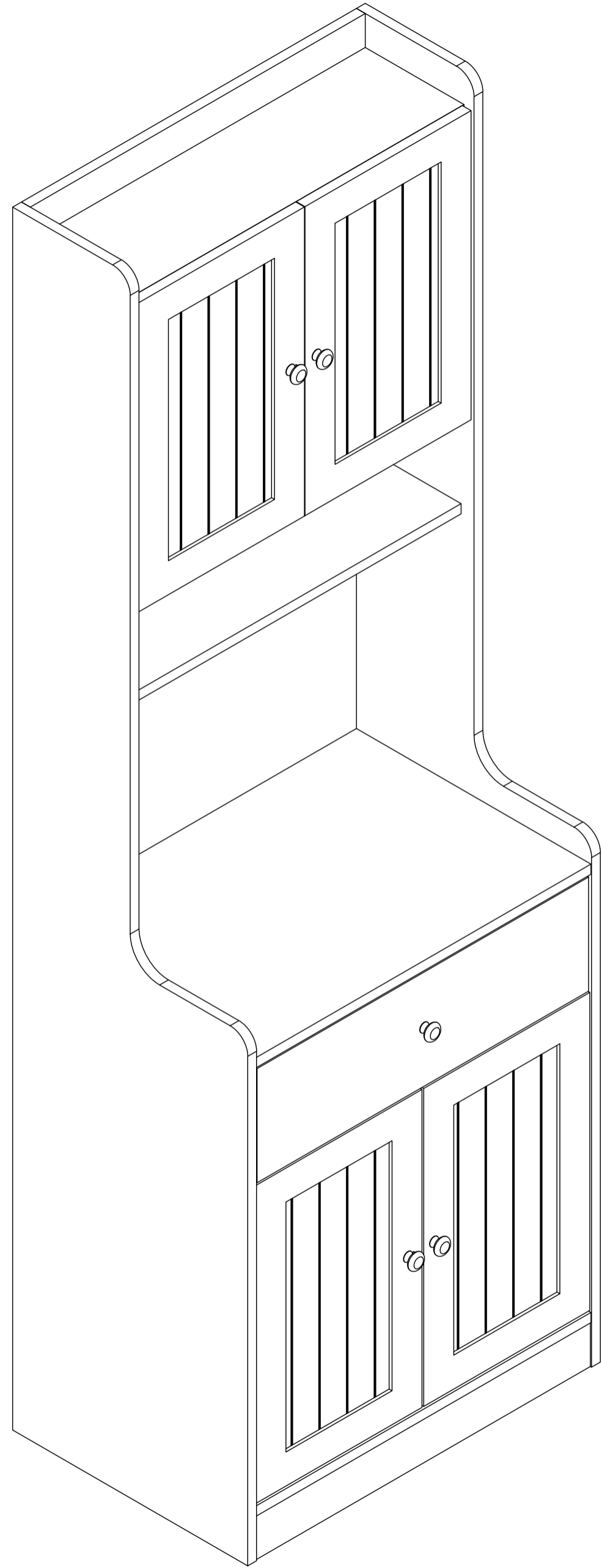
	F*16
	P*16

13



	G*2
	I*2
	R*2
	S*2

put S on board ⑥



END