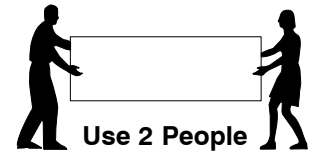
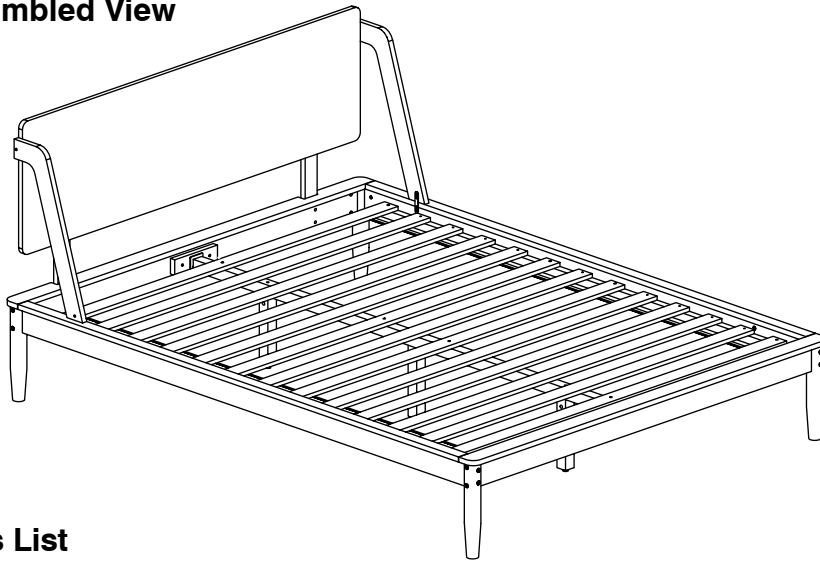


Queen Bed

Assembly Instructions

1 Assembled View



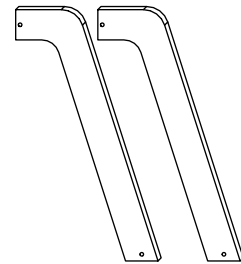
Note: Do not assemble using power tools. This can cause the bolts to be overtightened

2 Parts List

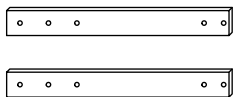
Parts in Box A:



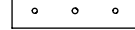
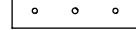
A Headboard x 1



B Headboard Support Rail x 2

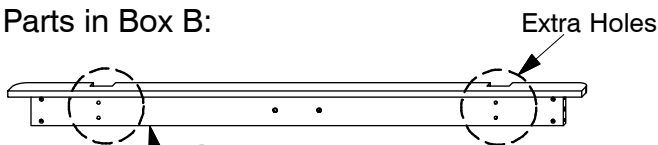


C Support Bar x 2

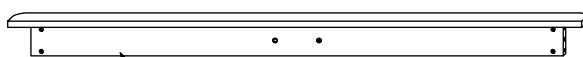


D Head / Footboard Support x 2

Parts in Box B:



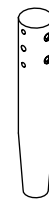
E Headboard Panel x 1



F Footboard Panel x 1



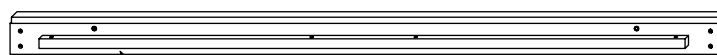
J Post (Left Hand) x 2



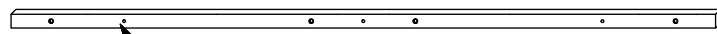
K Post (Right Hand) x 2



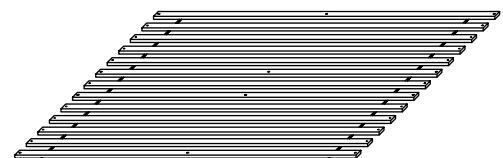
L Support Leg x 3



G Side Rail x 2



H Long Support x 1



M Set of Bed Slats x 1

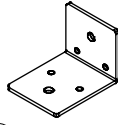
Queen Bed

Assembly Instructions

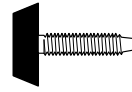
3 Hardware List



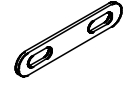
1 M4 Allen Key
x 1



2 Center Rail
Bracket x 2



3 Adjustable
Foot x 3



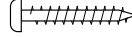
4 Bracket (2003)
x 2



5 Wood Dowel
(M10 x 40mm) x 8



6 Barrel
Nut x 21



7 Wood Screw
(M4 x 32mm) x 18



8 Spring
Washer x 10



9 Flat Washer
x 10



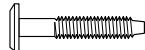
10 M6 JCN Nut
x 2



11 M6 x 15mm JCB
x 8



12 M6 x 30mm JCB
x 4



13 M6 x 35mm JCB
x 6



14 M6 x 40mm JCB
x 16

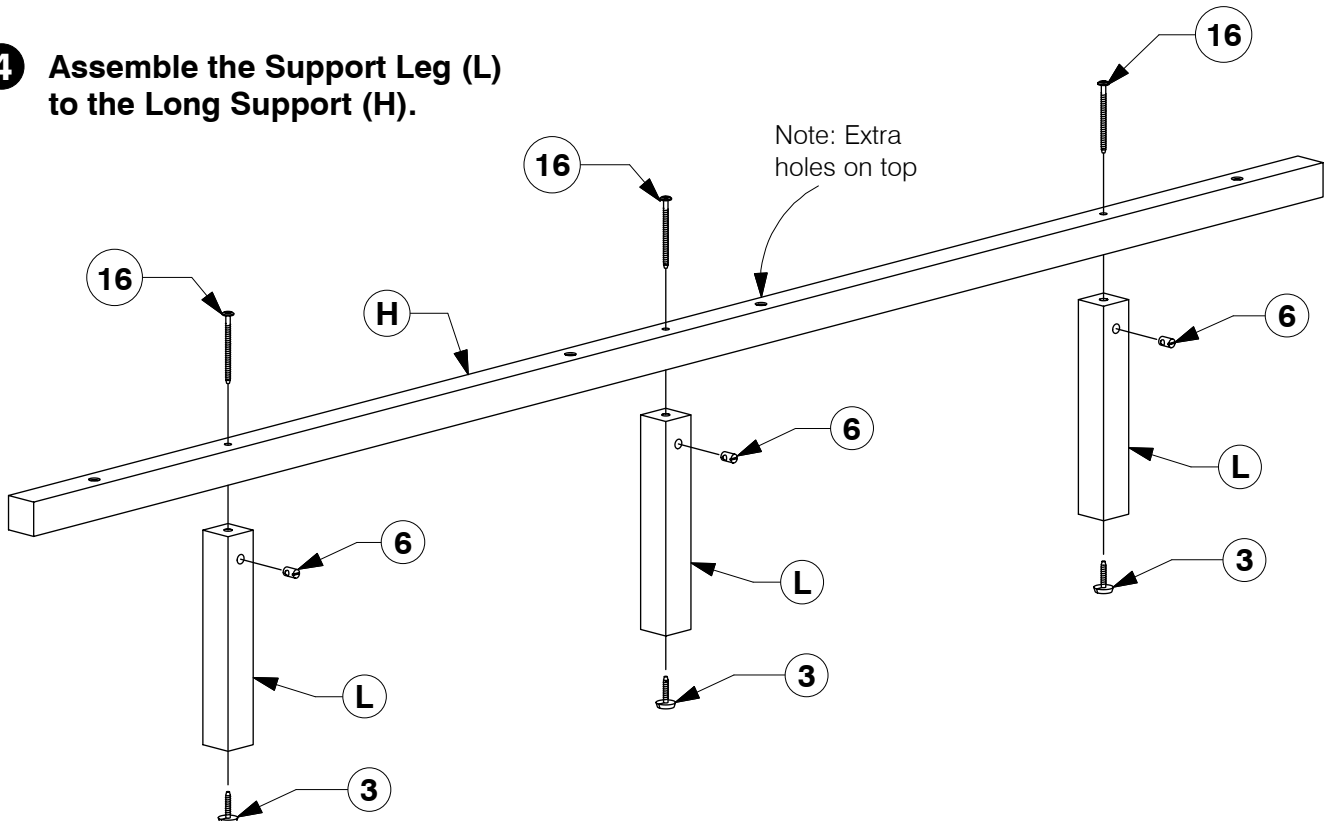


15 M6 x 60mm JCB
x 2



16 M6 x 90mm JCB
x 19

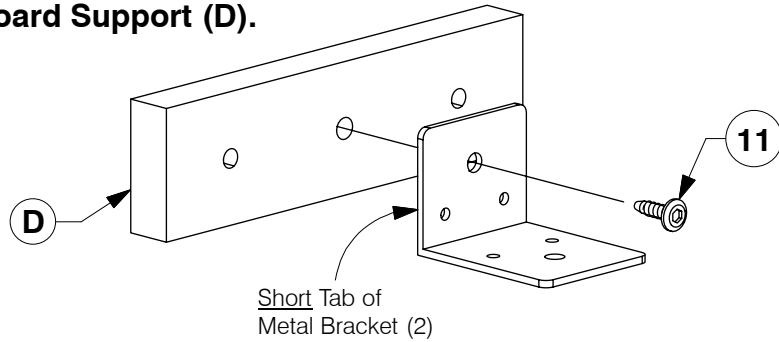
4 Assemble the Support Leg (L) to the Long Support (H).



Queen Bed

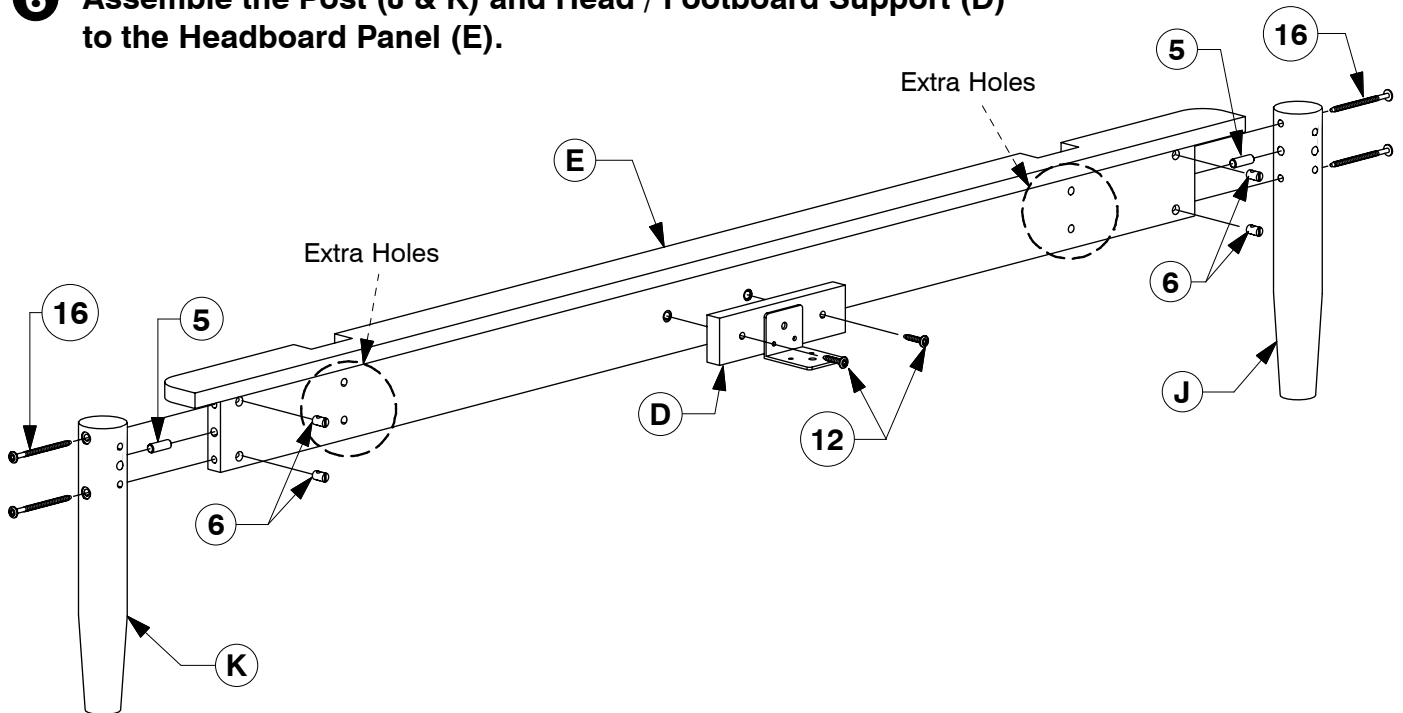
Assembly Instructions

- 5** Fit the Center Rail Bracket to the Head / Footboard Support (D).

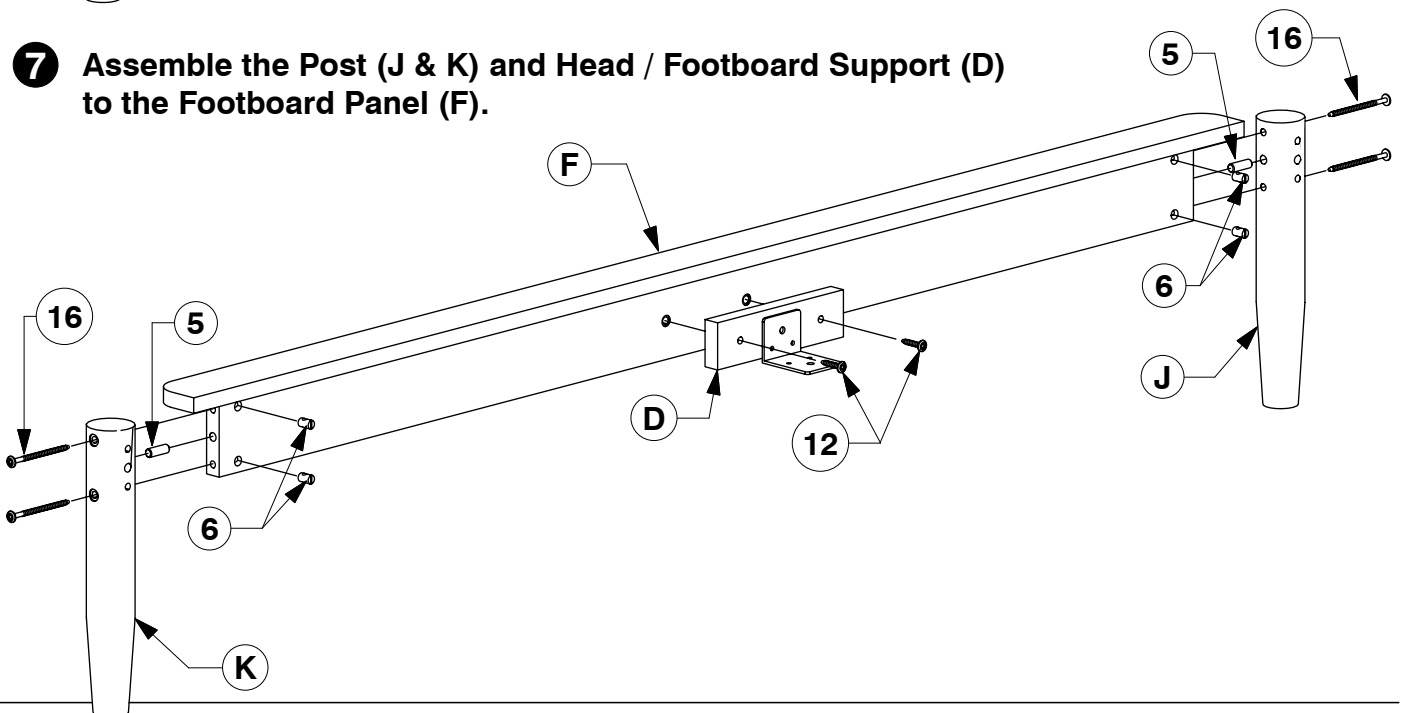


x2

- 6** Assemble the Post (J & K) and Head / Footboard Support (D) to the Headboard Panel (E).



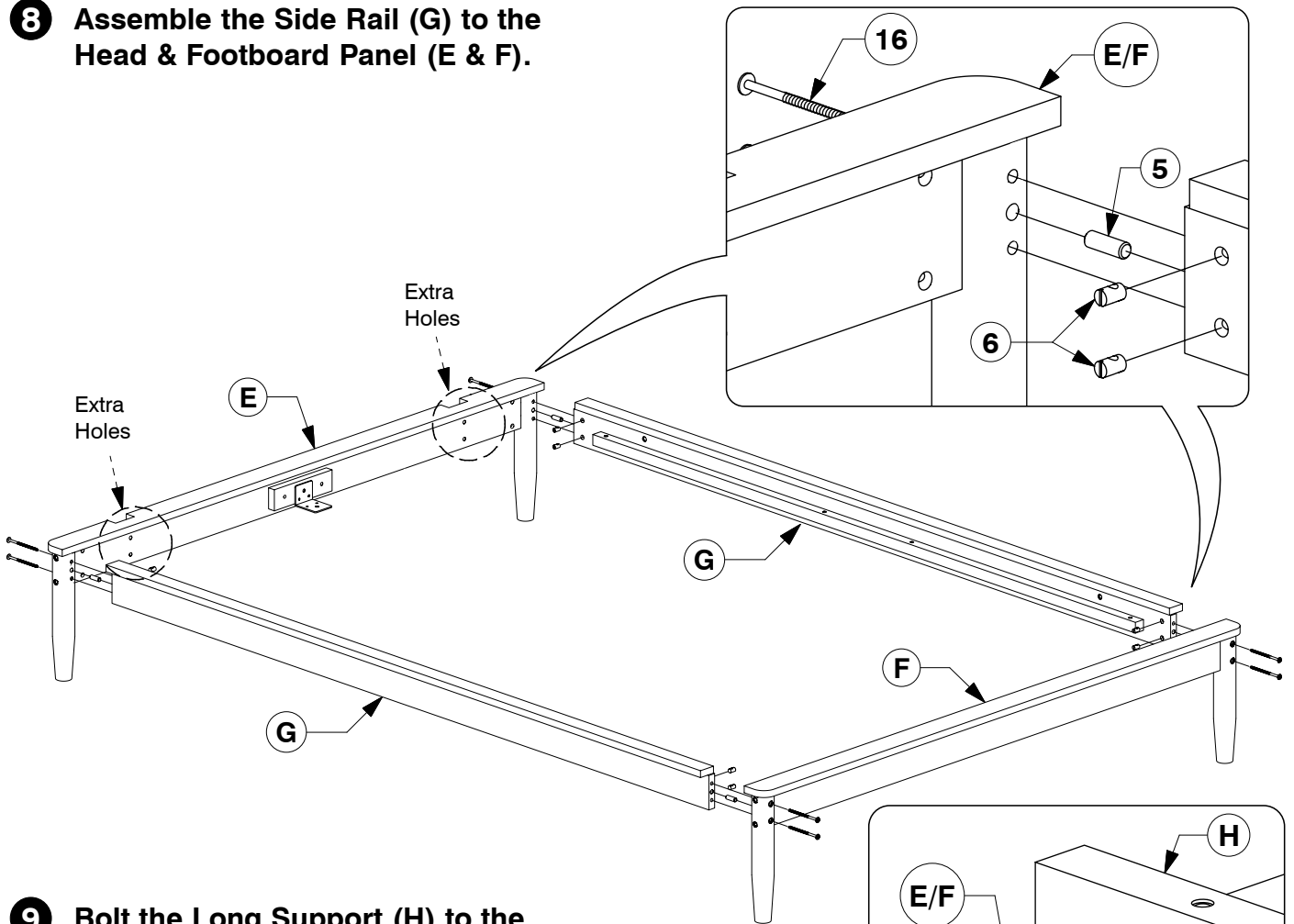
- 7** Assemble the Post (J & K) and Head / Footboard Support (D) to the Footboard Panel (F).



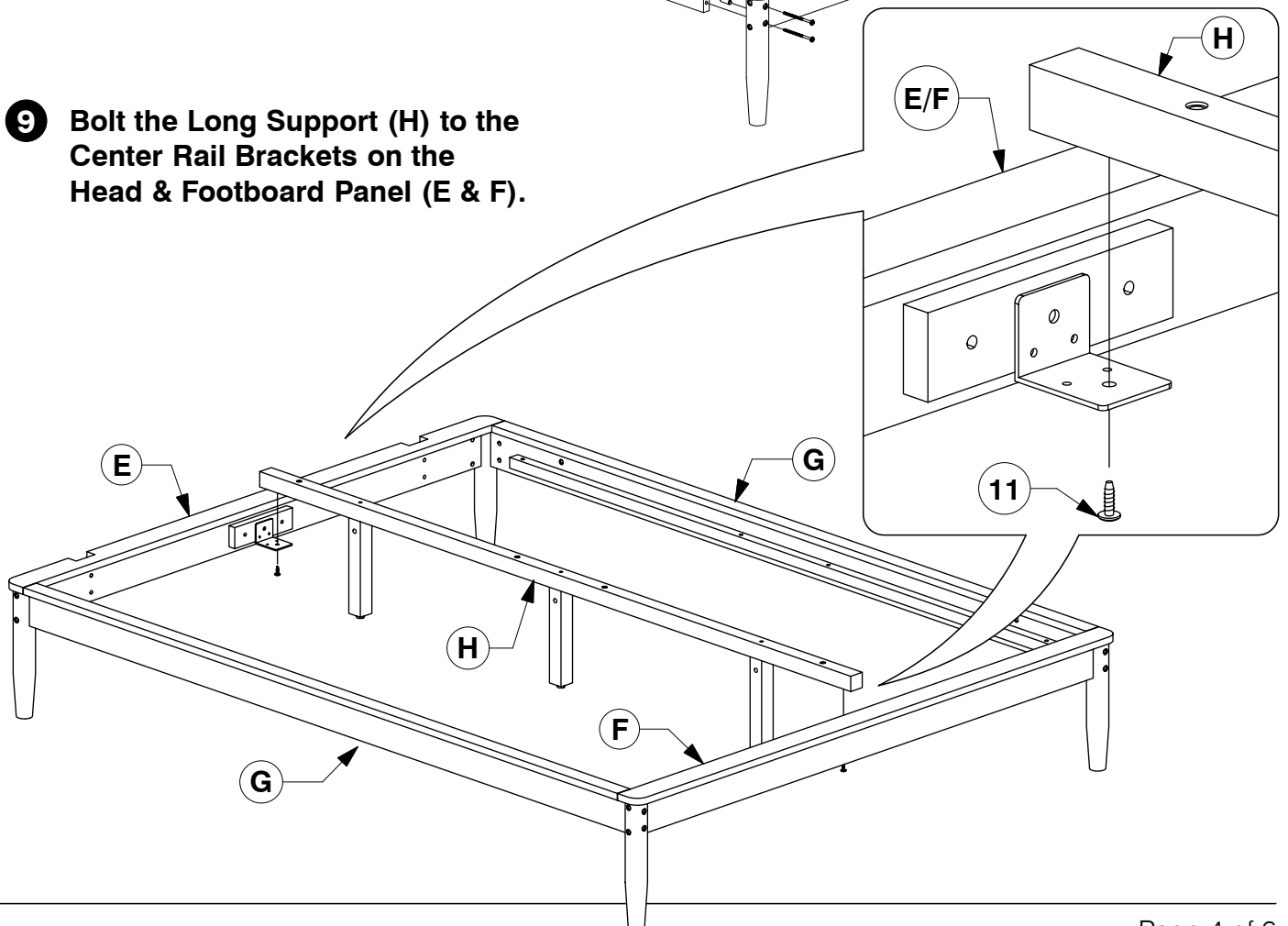
Queen Bed

Assembly Instructions

- 8** Assemble the Side Rail (G) to the Head & Footboard Panel (E & F).



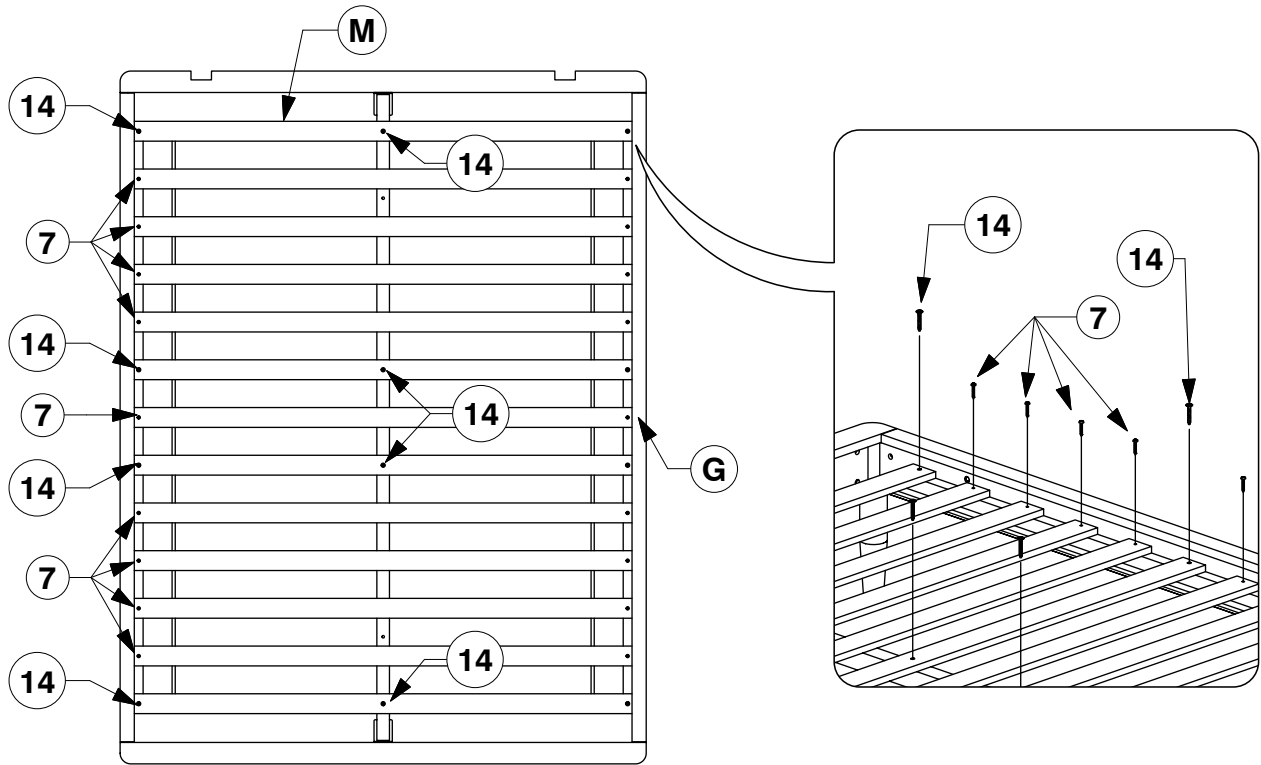
- 9** Bolt the Long Support (H) to the Center Rail Brackets on the Head & Footboard Panel (E & F).



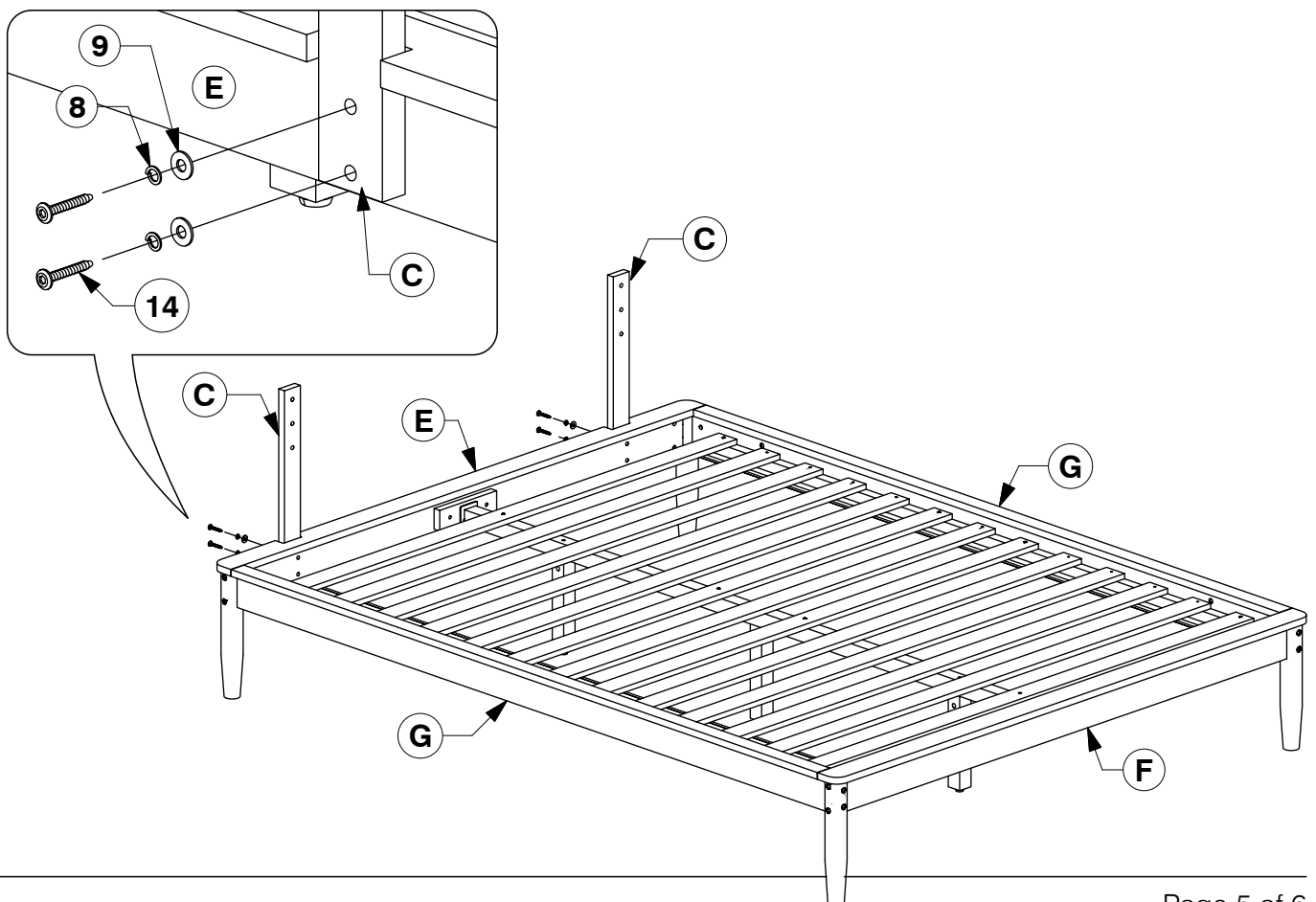
Queen Bed

Assembly Instructions

- 10** Bolt & screw the Bed Slats (M) to the Side Rail (G).



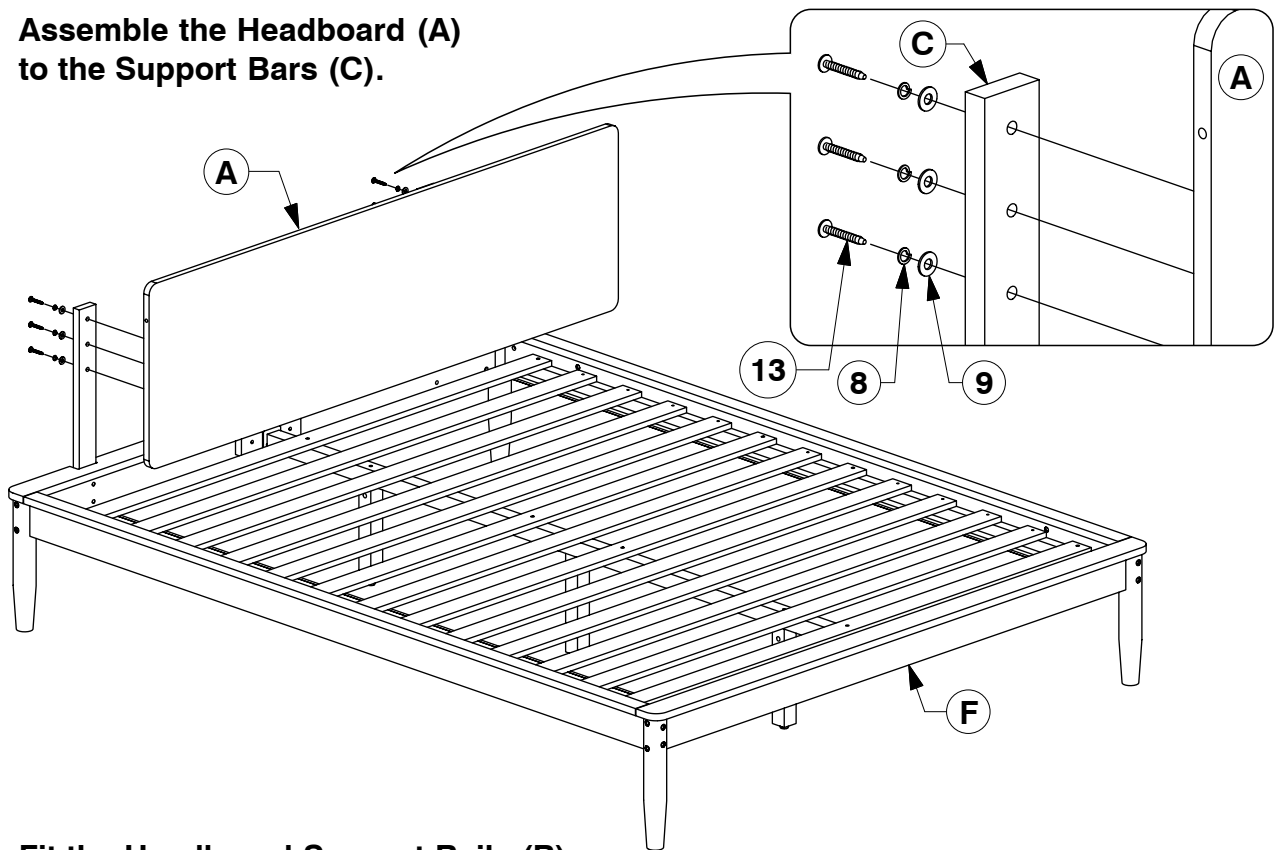
- 11** Assemble the Support Bars (C) to the Headboard Panel (E).



Queen Bed

Assembly Instructions

- 12** Assemble the Headboard (A) to the Support Bars (C).



- 13** Fit the Headboard Support Rails (B) to the Headboard Panel (A) & Side Rail (G).

