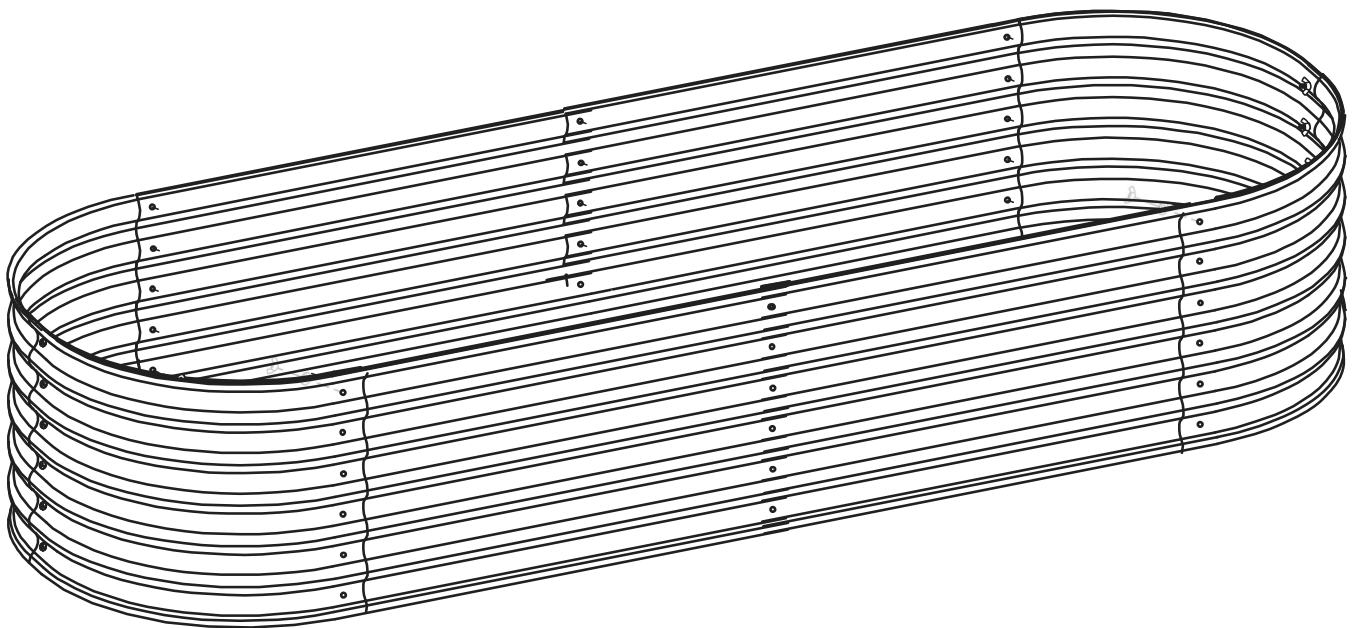


Assembly & Instruction Manual

Raised garden bed

Installation Guide



Approximate
assembly time: **15 Minutes**

People
for assembly:



Save this manual for future reference

INTRODUCTION

Thank you for purchasing raised garden bed! We hope you will find joy in our product for many years to come.

To ensure your personal safety during installation and to get the most out of your investment, please read this entire manual before beginning the installation process. If you feel that this process is too difficult to do on your own, we advise that you seek assistance from a local building or home improvement contractor.

! **WARNING** Improper installation and operation of your gazebo can result in severe personal injury as well as product failure not covered by warranty. Please follow all instructions carefully or contact technical support for assistance.

We believe that installation can be a simple, streamlined process if you follow the instructions in this manual. Please contact our customer support line for help any step of the way. If you need assistance with assembly, have missing or defective parts, or any other issues, please email us

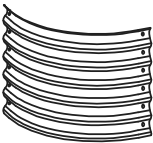
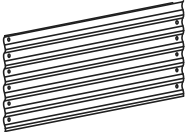
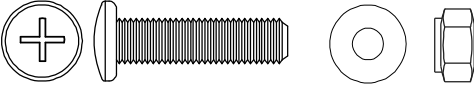

! SAFETY INFORMATION

Please read and understand this entire manual before attempting.

PREPARATION

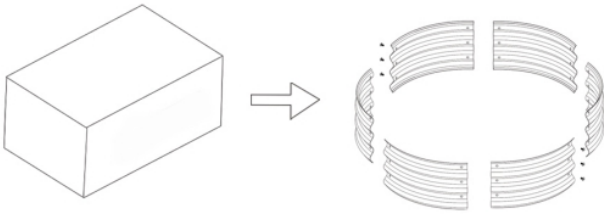
Before beginning assembly of product, make sure all parts are present. Compare parts with package contents list and hardware contents list. If any part is missing or damaged, do not attempt to assemble the product.

Parts Listing

Parts	Desc	Qty	
A	End panel 	4	
B	Side panel 	4	
C	Screw,Nut and Washer 	48	
D	Safety rubber edge trim 	1	

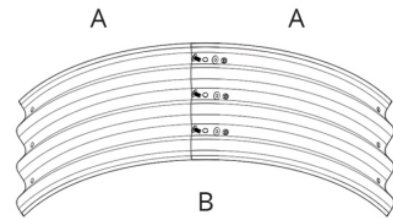
Assembly

1 Step One



Remove protective films from all panels, and lay panels on a flat surface according to the above configuration

2 Step Two



Assemble all curved panels : initially attach all bolts , washers and nuts loosely , and then tighten upusing the wrench tool (as supplied) with a screwdriver / cordless drill

3 Step Three

Inside



Outside

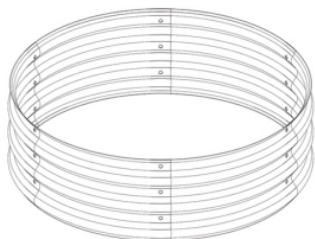
Make sure to tighten each nut and bolt for reinforcement of garden raised bed.

4 Step Four



Push the safety rubber edging to the top rolled steel edge and cut the extra length off . Make sure edging is attached securely .

5 Step Five



Congratulations on completing the assembly !
Now you can start to build your dream garden .

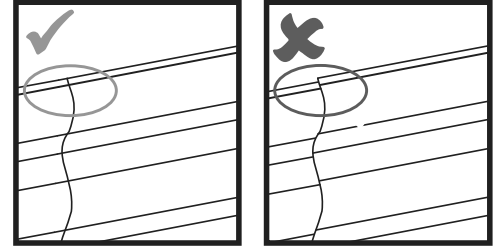
✓ Enjoy



Assembly

NOTE:

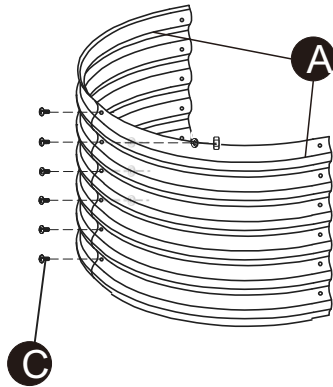
Before assembly, lay the panels out to ensure all edges will align correctly, as shown in the drawing to the right. If the edges are offset, switch or rotate the panels until all align correctly. If the panel edges are not properly aligned, the mounting holes will be difficult to align, and the Rubber Edge Trim will not install correctly.



Do not fully tighten hardware until all components have been loosely assembled.

If hardware is tightened too soon, mounting holes may not align, and parts may not easily fit together.

STEP 1

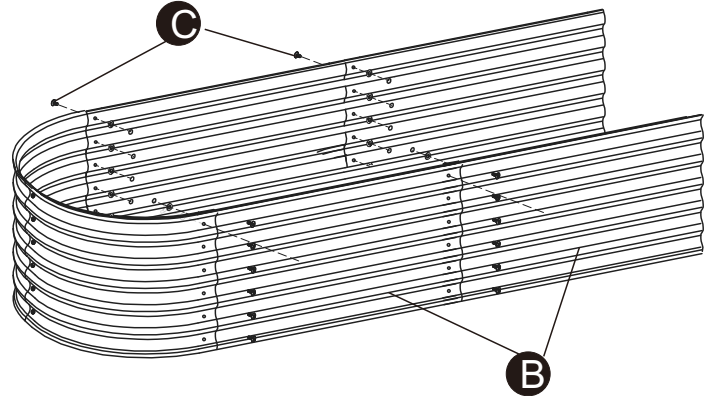


Align the top and bottom sets of End Panels (A).

Loosely secure each panel set with five Bolt Sets (C) on each set.

Repeat this step to connect the remaining end panels.

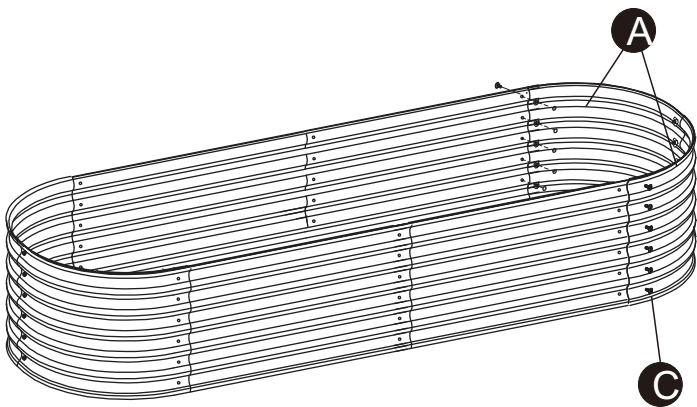
STEP 2



Ensuring the edges align correctly, overlap two Side Panels (B) with one side of the assembled end panels. Then, use Bolt Sets (C) to fasten the center-most mounting holes, as shown.

Repeat on the opposite side of the garden bed.

STEP 3



Assembly

This unit is equipped with enough edge trim to cover one assembled edge.

Begin Installation

Firmly push Trim Edge (E) onto the top side of the garden bed.

Avoid leaving excess material as the trim edge is pressed around the top side of the garden bed.

Removing Excess Trim Material

If there is excess trim, use the proper cutting tool and feel for the gap between the clips.

There are metal clips segments embedded into the plastic. If the spot between the clips is not identified before cutting, the trim may crush when making the cut. By finding the gap, the cut will be clean.

Take care not to cut the trim too short.

Finishing Installation

All plastics, over time, will experience some shrinkage, causing your trim edges to separate. To complete the edging installation, leave a bit more material on one side and push the ends together. Press the extra material down to force more material into the application, so the trim is not stretched.

