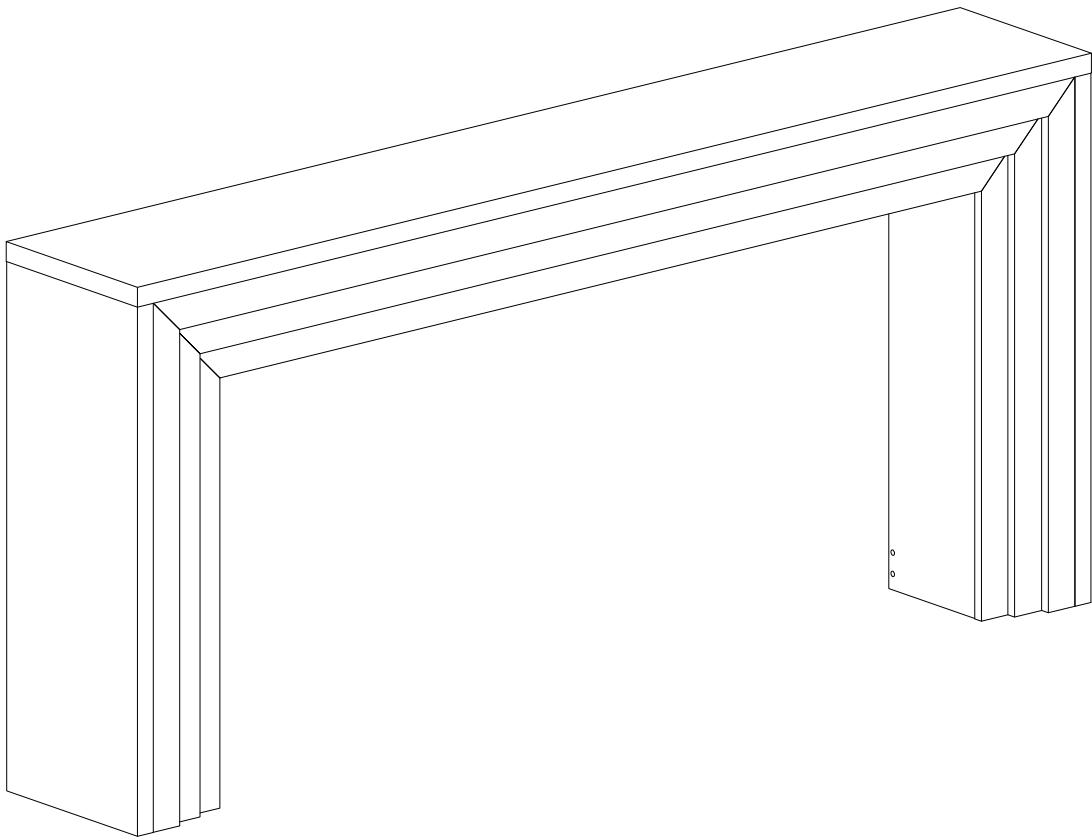


Assembly Instructions



Console Table

Model No.
HOGA-F2255
HOGA-F2401

Contact Us

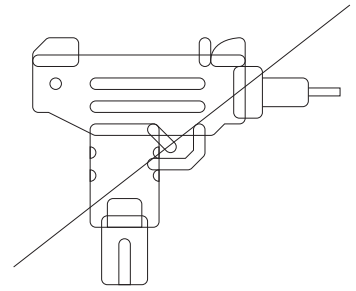
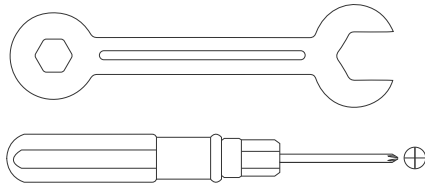
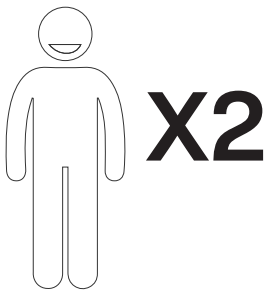
We're here to help you.



Your satisfaction is our top priority. If you encounter any issues with this product, such as missing or damaged parts, we're here to help. Please retain the original packaging and take photos of the packaging and the product, then contact us as soon as possible.

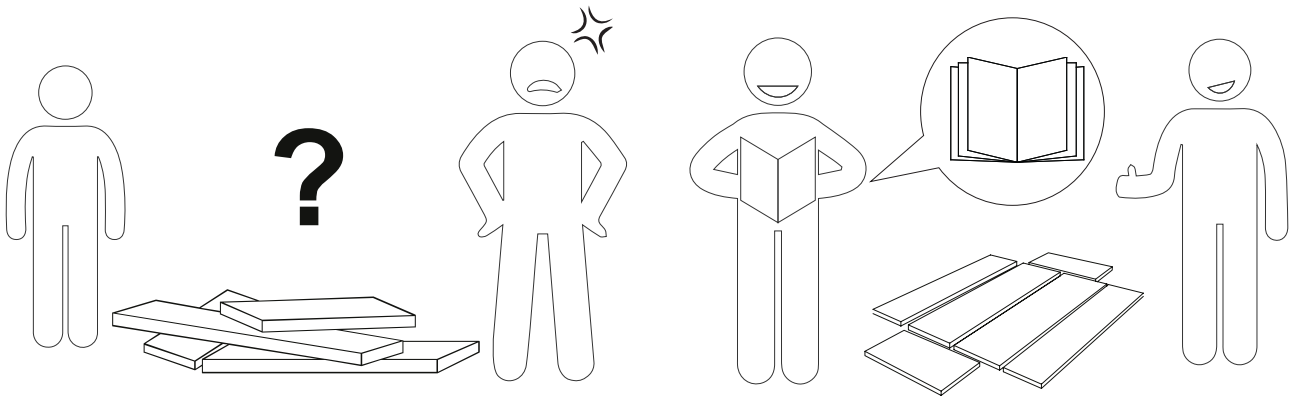
Warm Tips

1. Carefully read these instructions and keep them for future reference.
2. Check the parts list and confirm everything's there before starting assembly.
3. When assembling, put all parts on a soft, smooth surface like a carpet to avoid scratches.
4. Don't fully tighten screws until all parts are confirmed in place to avoid misalignment.



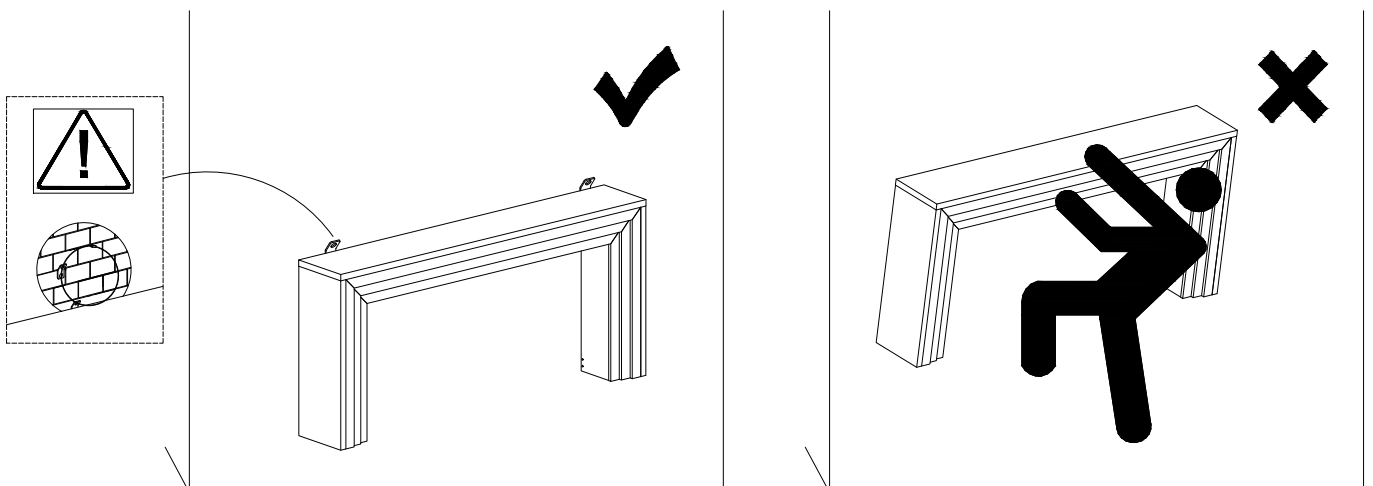
We recommend using hand tools for assembly.

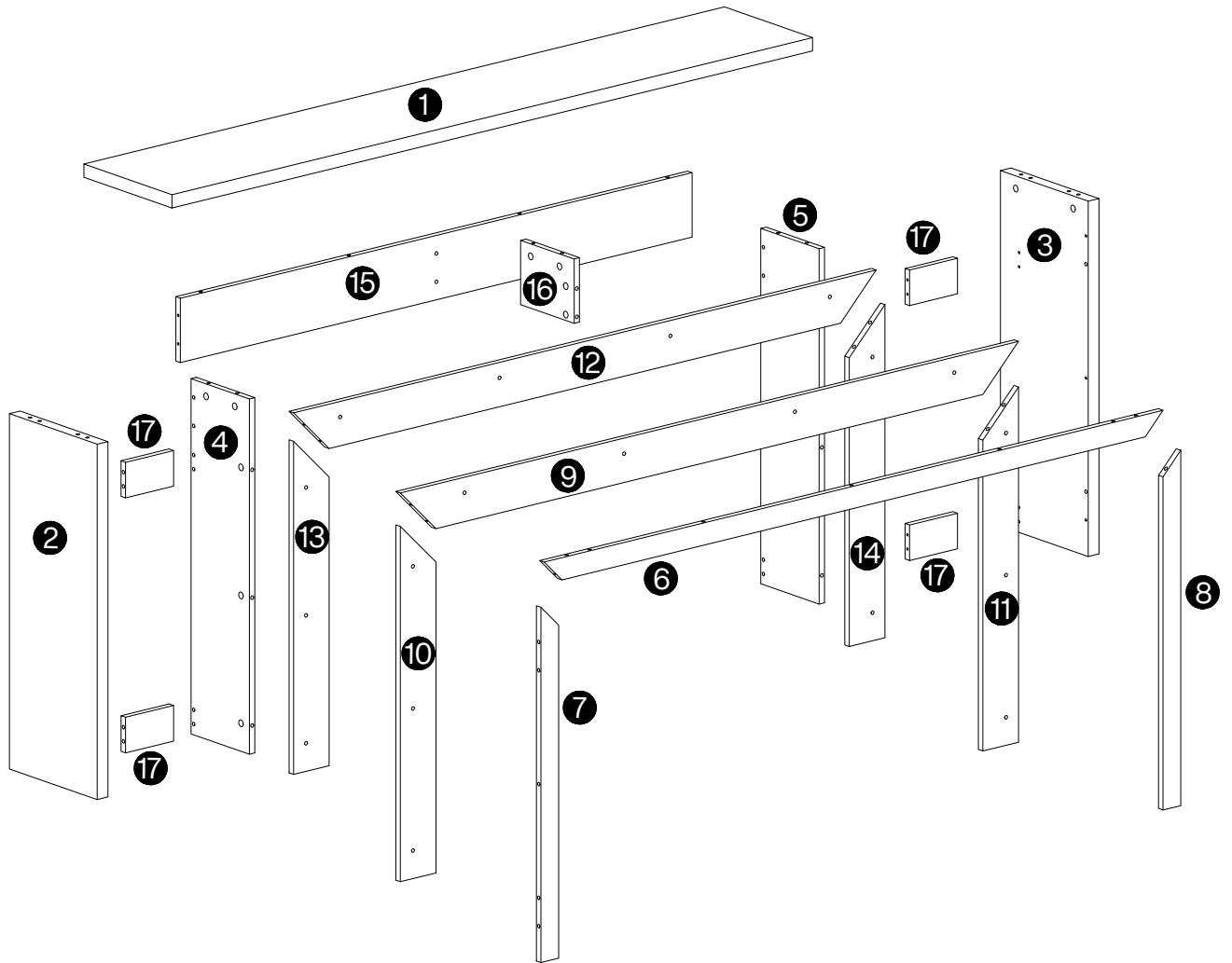
If an electric screwdriver is used, reduce power and torque to avoid damage to the product.



Install the Anti-Tip Straps

Using the anti-tip straps can reduce the risk of tipping over, but can not eliminate it.

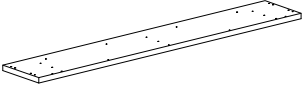
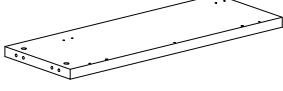
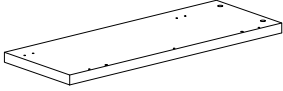
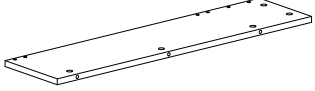
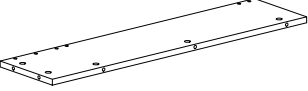
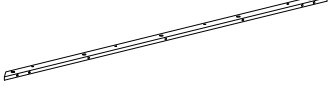
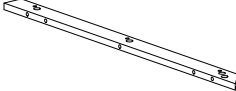
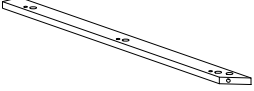

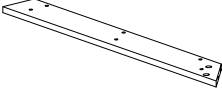
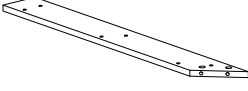
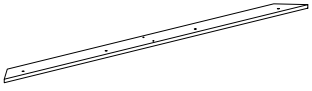
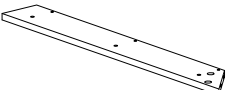
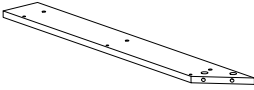
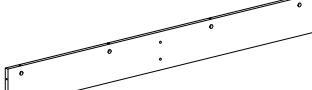
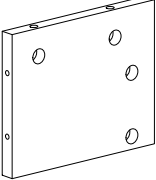
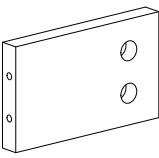




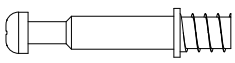
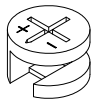

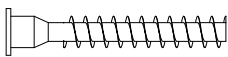

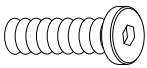





⚠ Caution

Make sure all parts are included. Most board parts are labeled or stamped on the raw edge. Contact us for a free replacement if you encounter any damaged or missing parts.

Parts List

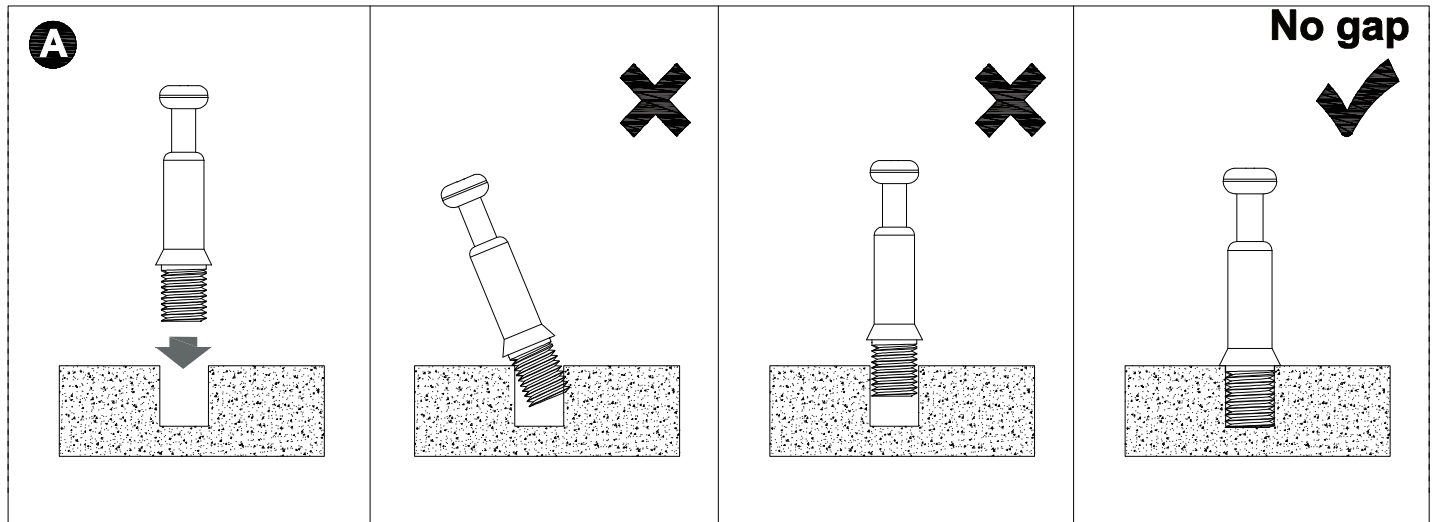
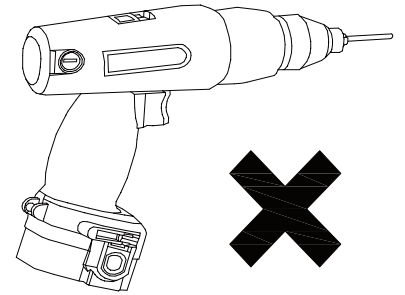
1  1pc	2  1pc	3  1pc	4  1pc
5  1pc	6  1pc	7  1pc	8  1pc
9  1pc	10  1pc	11  1pc	12  1pc
13  1pc	14  1pc	15  1pc	16  1pc
17  4 pcs			

Hardware List

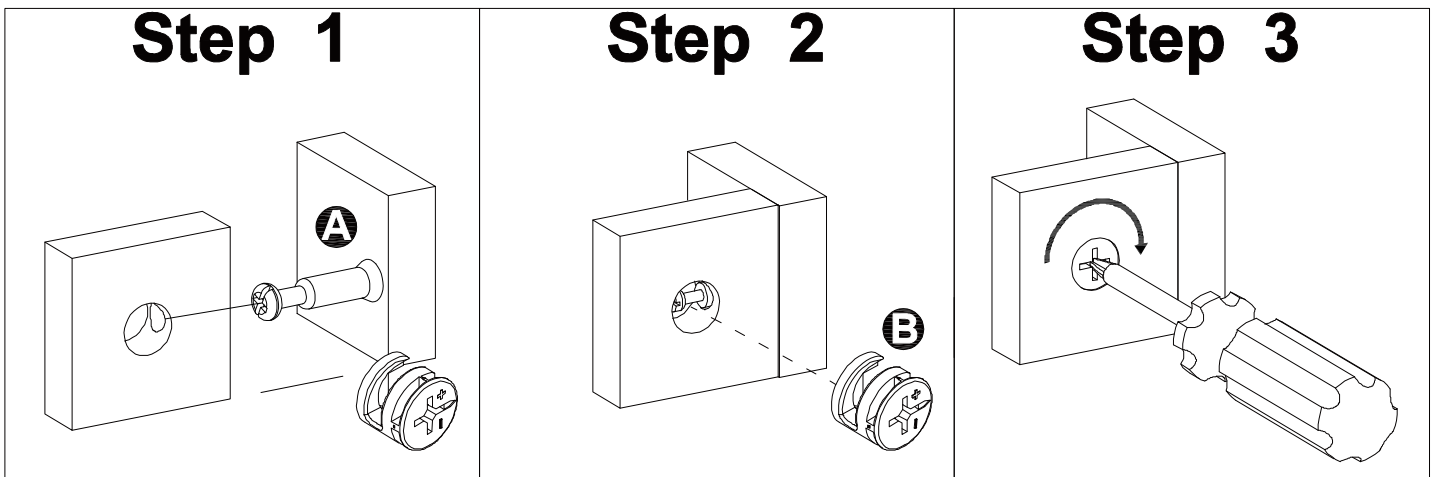
A	B	C	D	E
 Ø6X35 mm	 Ø15X12 mm	 Ø8X30 mm	 Ø7X47 mm	 N4X64 mm
51+1 pcs	51+1 pcs	10+1 pcs	14+1 pcs	1 pc
F	G	H	I	J
 M6X25 mm	 3.5X14 mm	 4X35 mm	 Ø8X40 mm	 L250 mm
20+1 pcs	2+1 pcs	2+1 pcs	2 pcs	2 pcs
K				
 26X13 mm				
4 pcs				

Installation of Cams and Pins

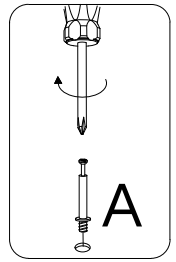
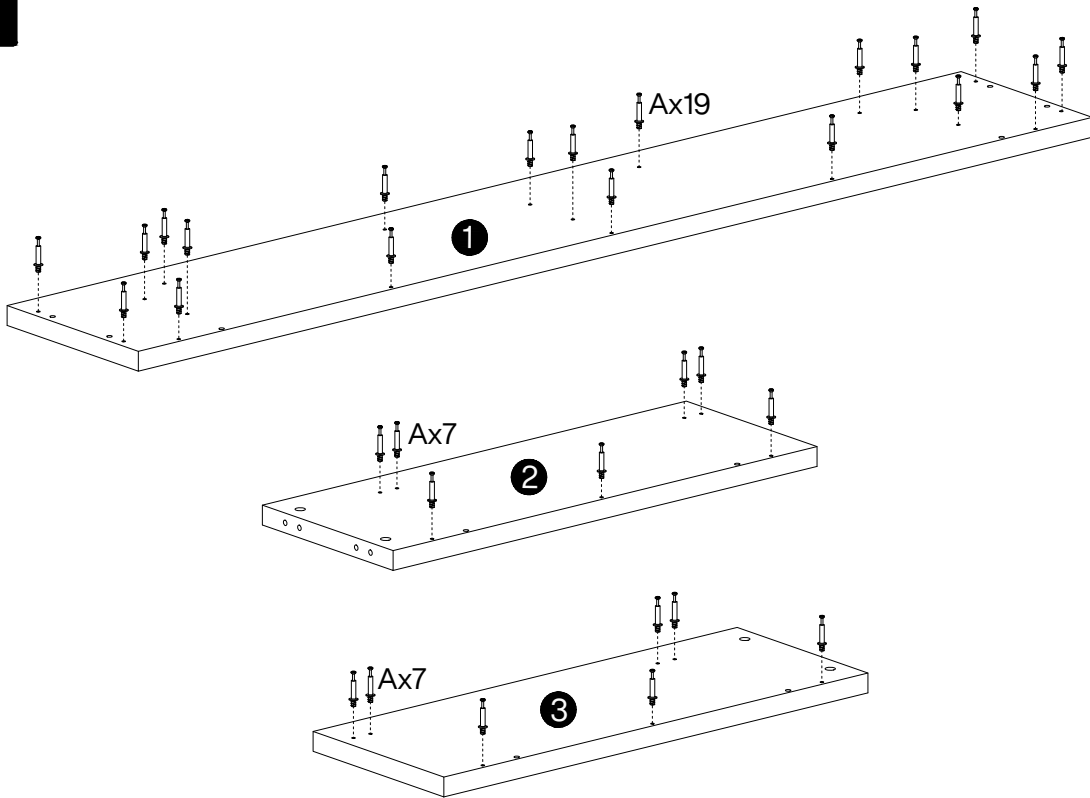
Read each step carefully before starting. Each step of instruction should be performed in the correct order. If these steps are not followed in sequence, assembly difficulties may occur.

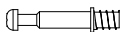


Screw the pin into the hole. Set the cams correctly by aligning the head of the cams with the lock pins. Lock the cam by turning the cam head with a screwdriver until it is tightened. Please do not use an electric screwdriver to assemble the unit.

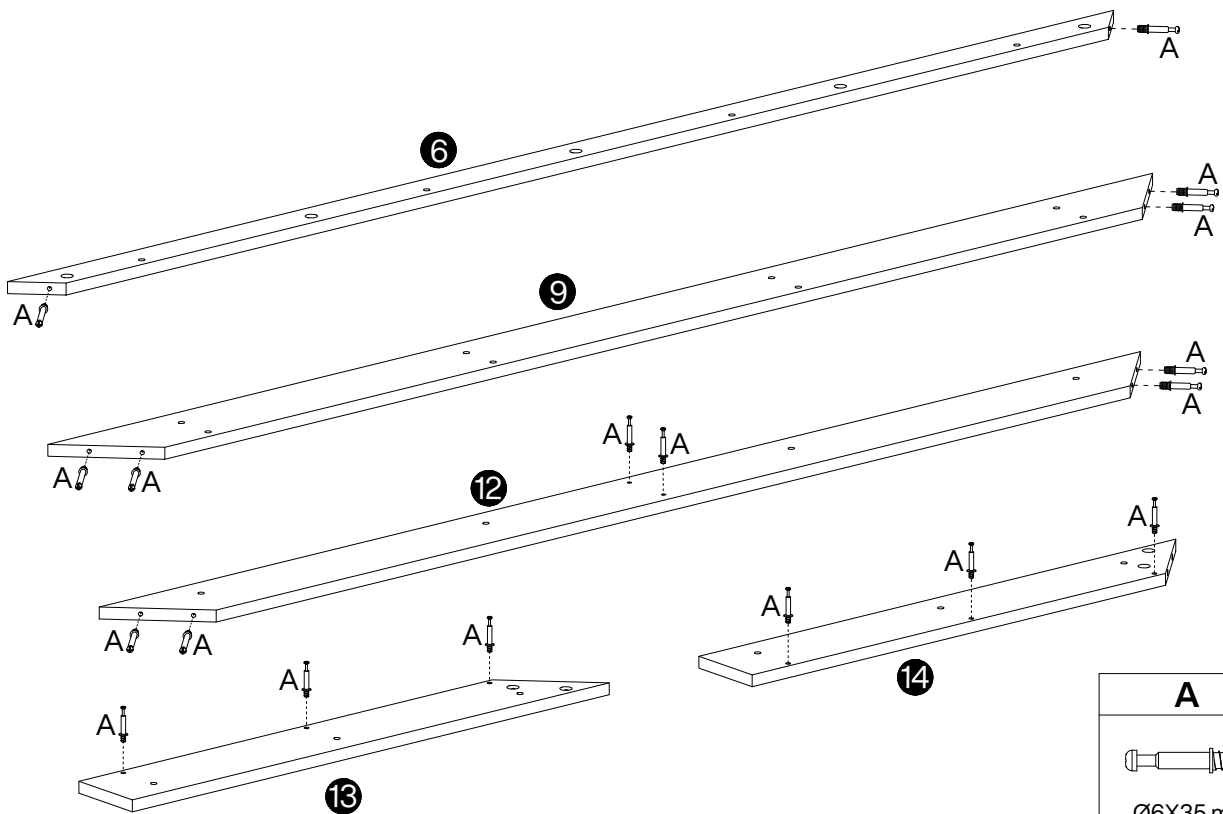



1



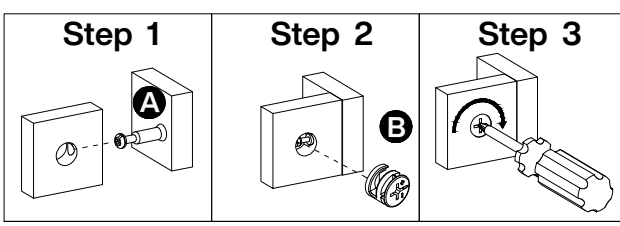
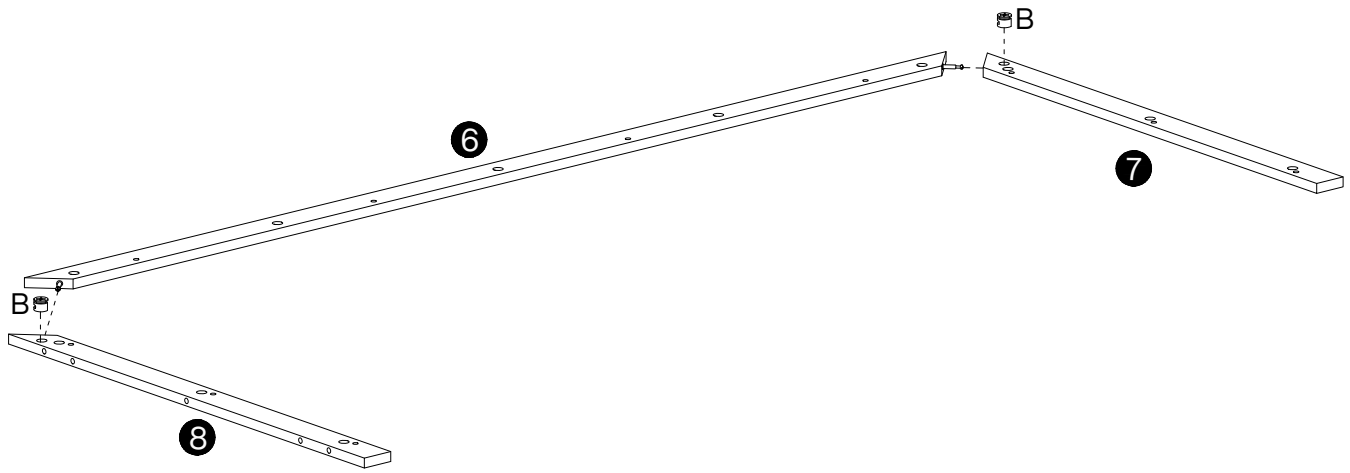
A

Ø6X35 mm
33 pcs


2



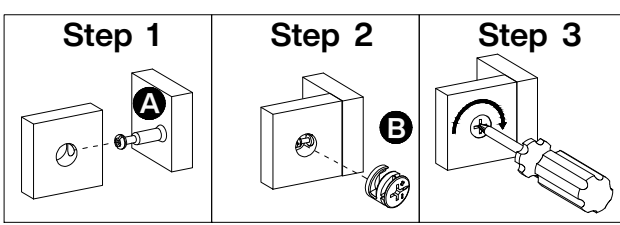
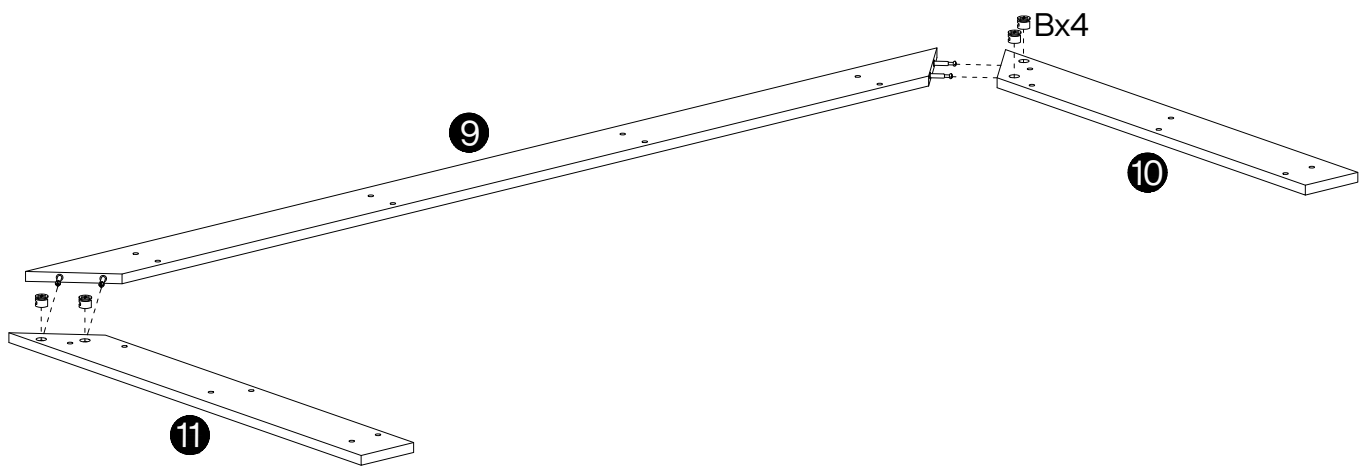
A

Ø6X35 mm
18 pcs


3



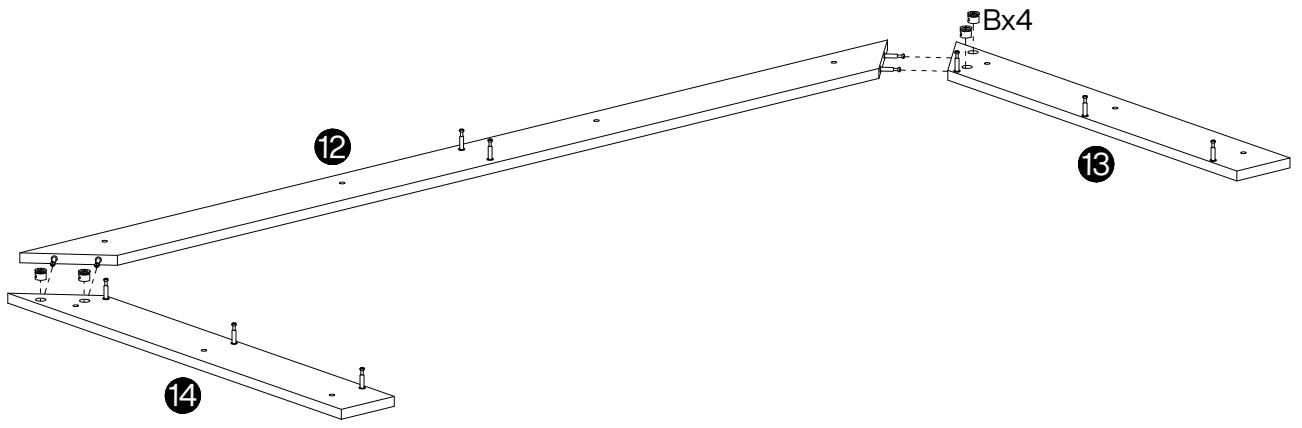
B

Ø15X12 mm
2 pcs

4



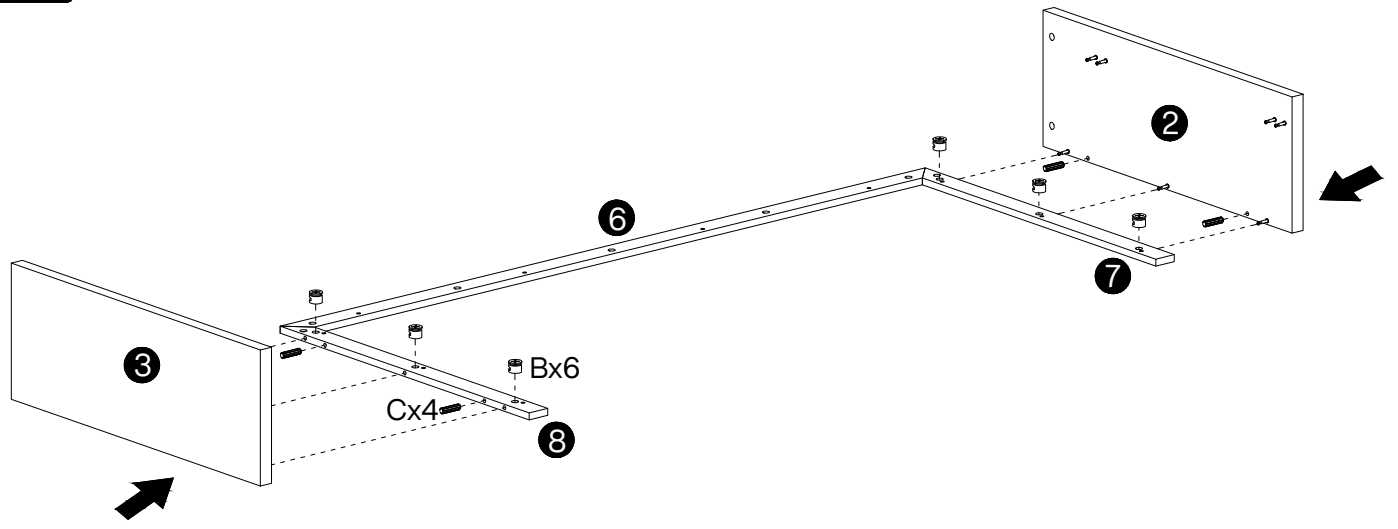
B

Ø15X12 mm
4 pcs

5



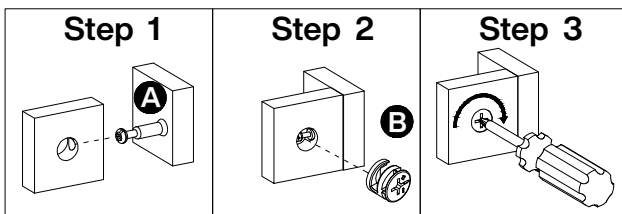
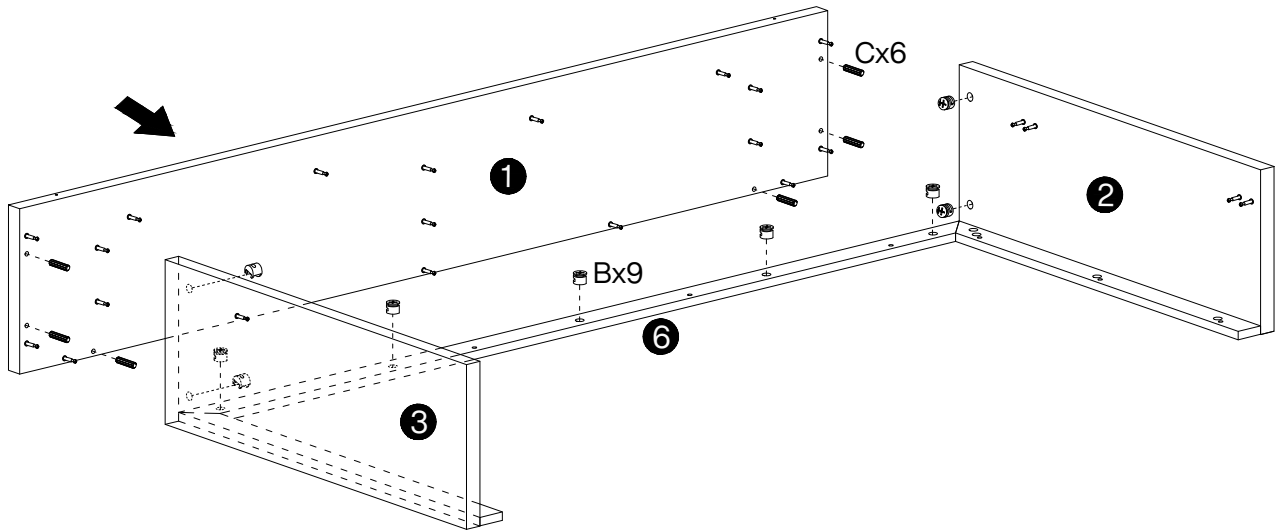
<p>Step 1</p>	<p>Step 2</p>	<p>Step 3</p>	<p>B</p> <p>Ø15X12 mm 4 pcs</p>
----------------------	----------------------	----------------------	--


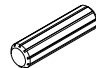
6



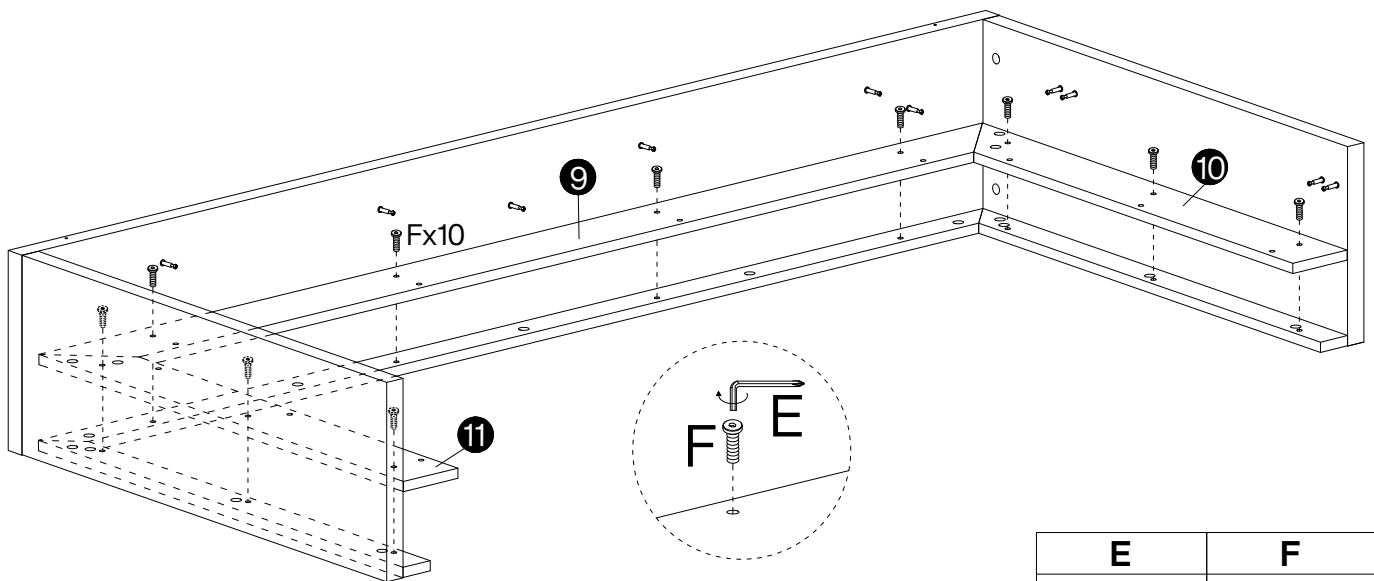
<p>Step 1</p>	<p>Step 2</p>	<p>Step 3</p>	<p>B</p> <p>Ø15X12 mm 6 pcs</p>	<p>C</p> <p>Ø8X30 mm 4 pcs</p>
----------------------	----------------------	----------------------	--	---


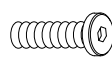
7



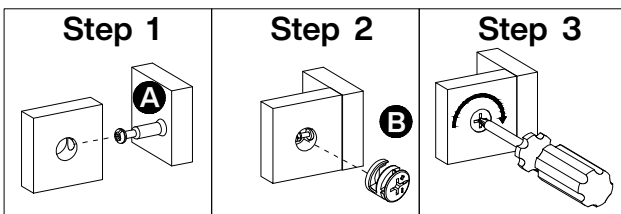
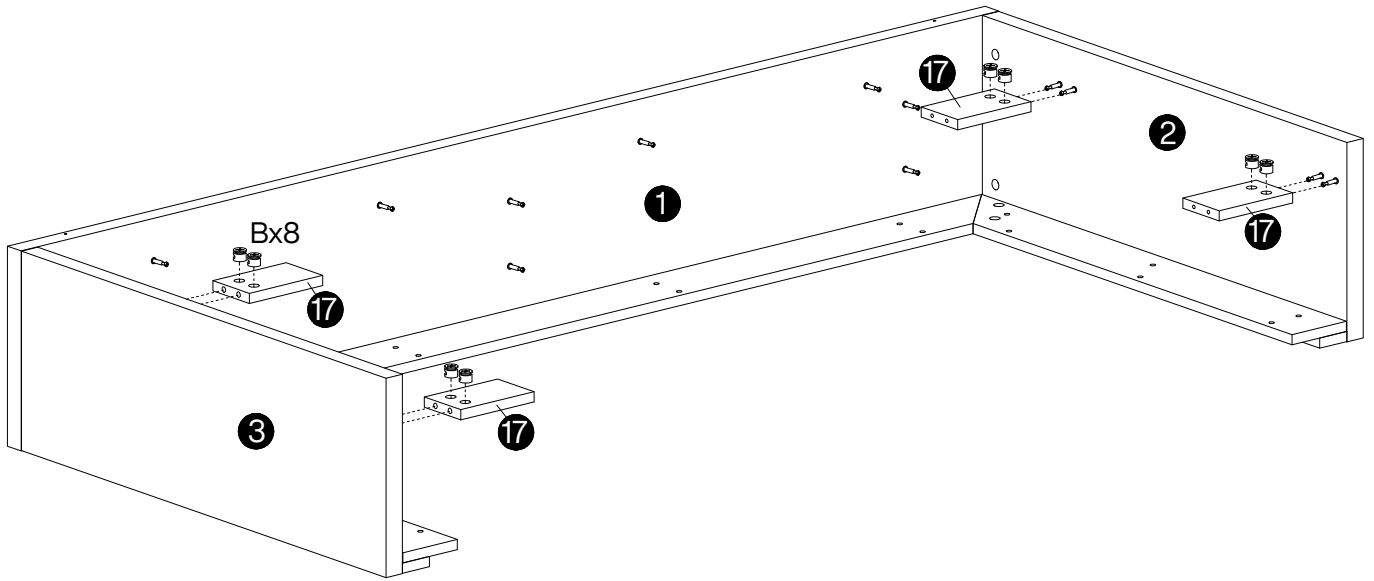
B	C
	
Ø15X12 mm	Ø8X30 mm
9 pcs	6 pcs

8



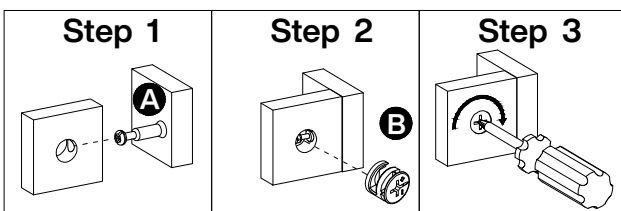
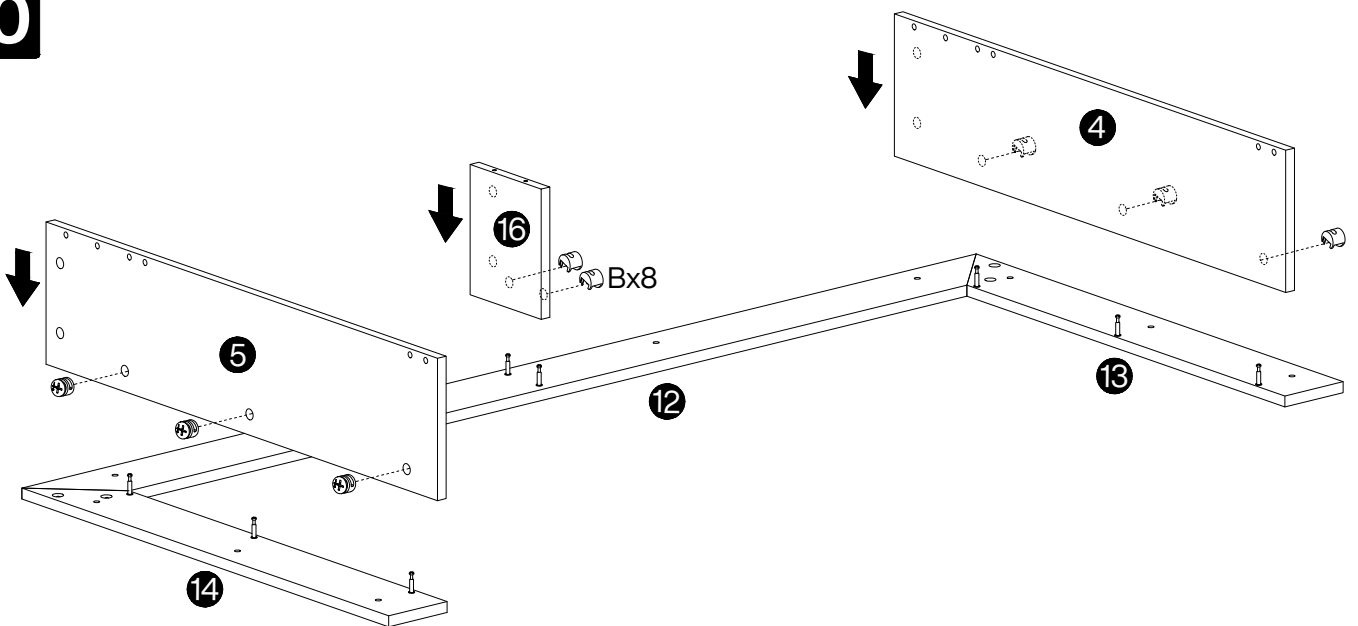
E	F
	
M4X64 mm	M6X25 mm
1 pc	10 pcs

9



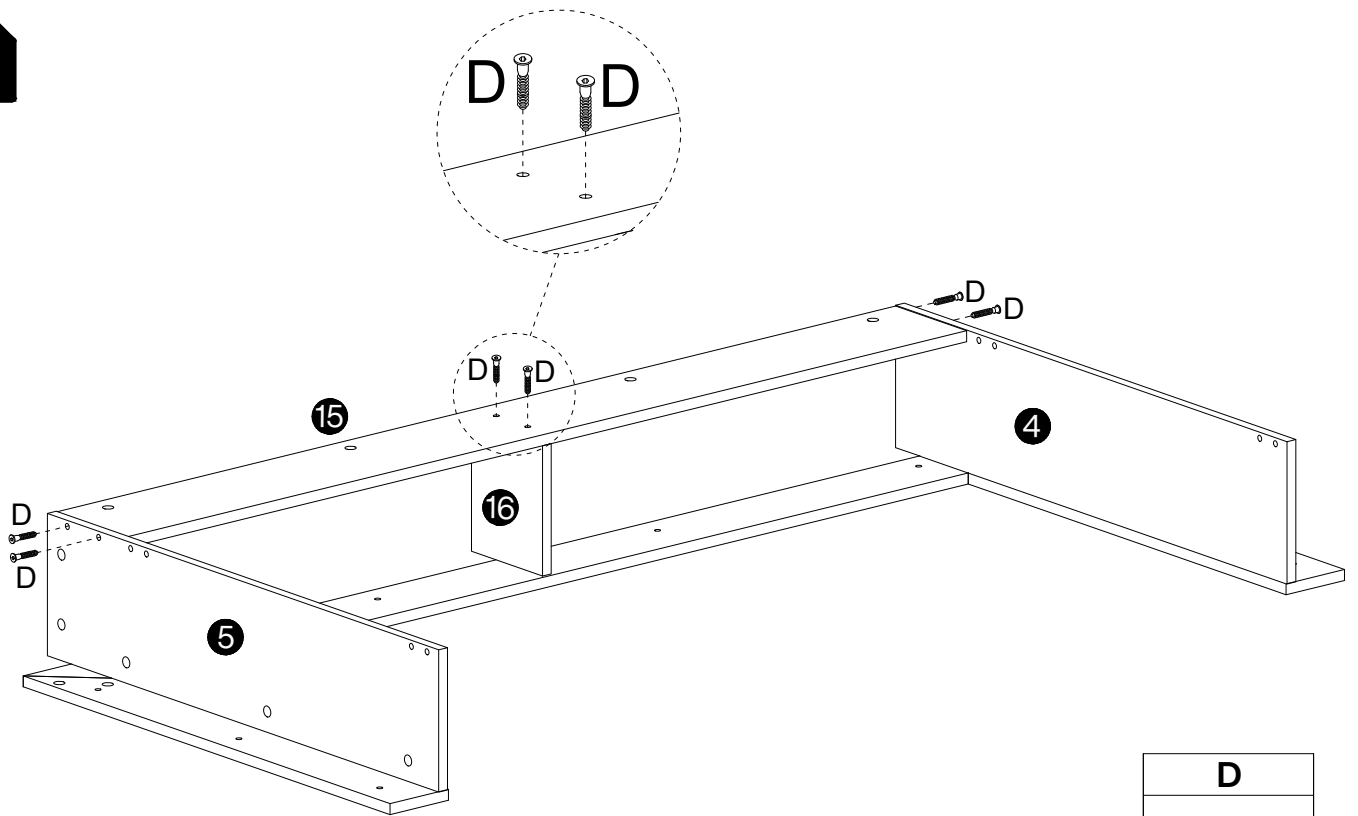
B
Ø15X12 mm
8 pcs


10



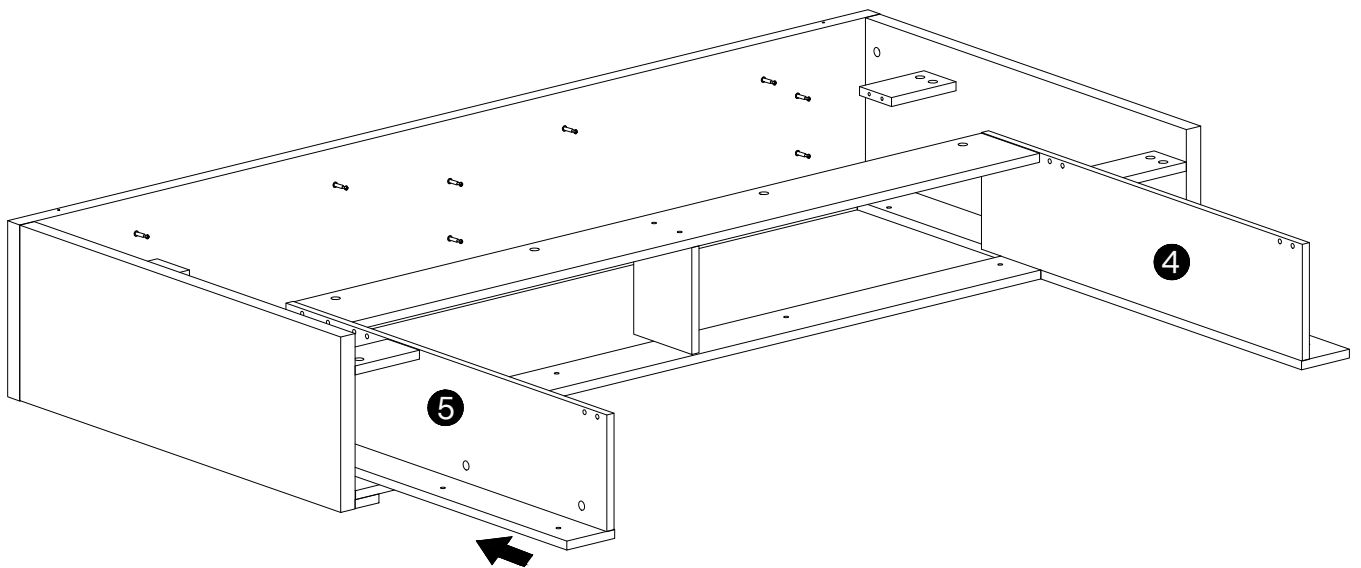
B
Ø15X12 mm
8 pcs

11

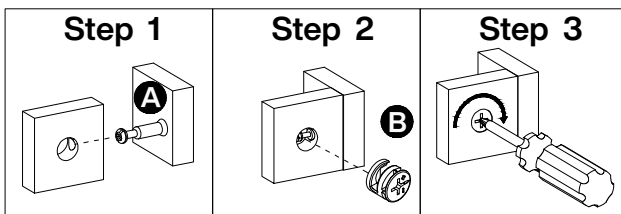
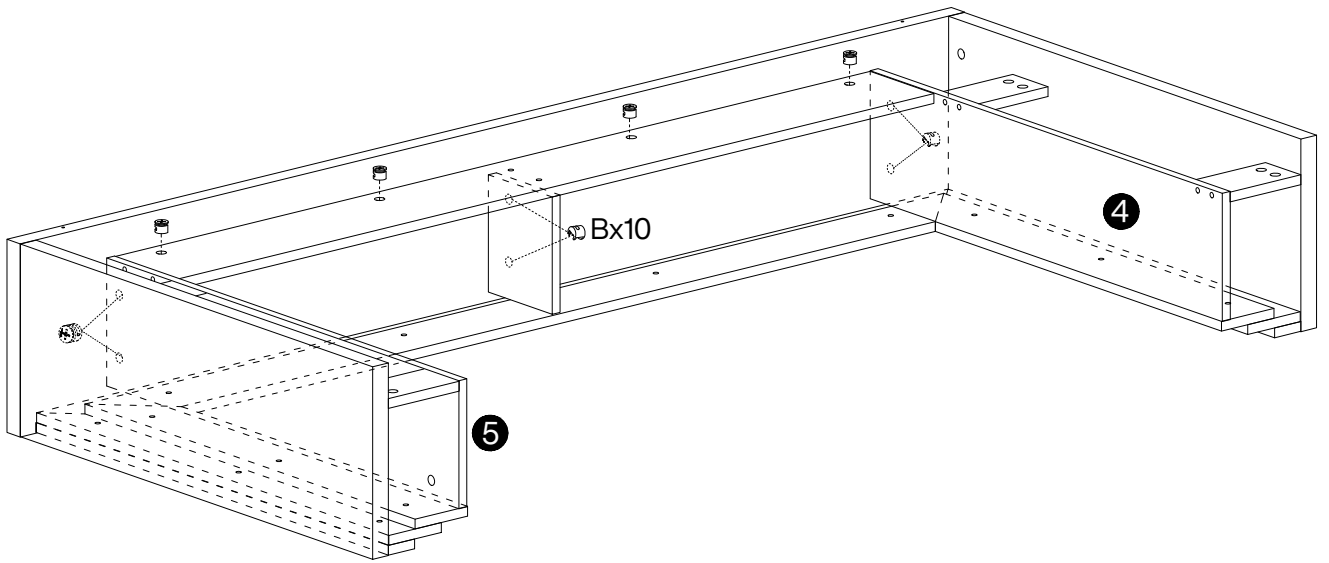


D

Ø7X47 mm
6 pcs

12

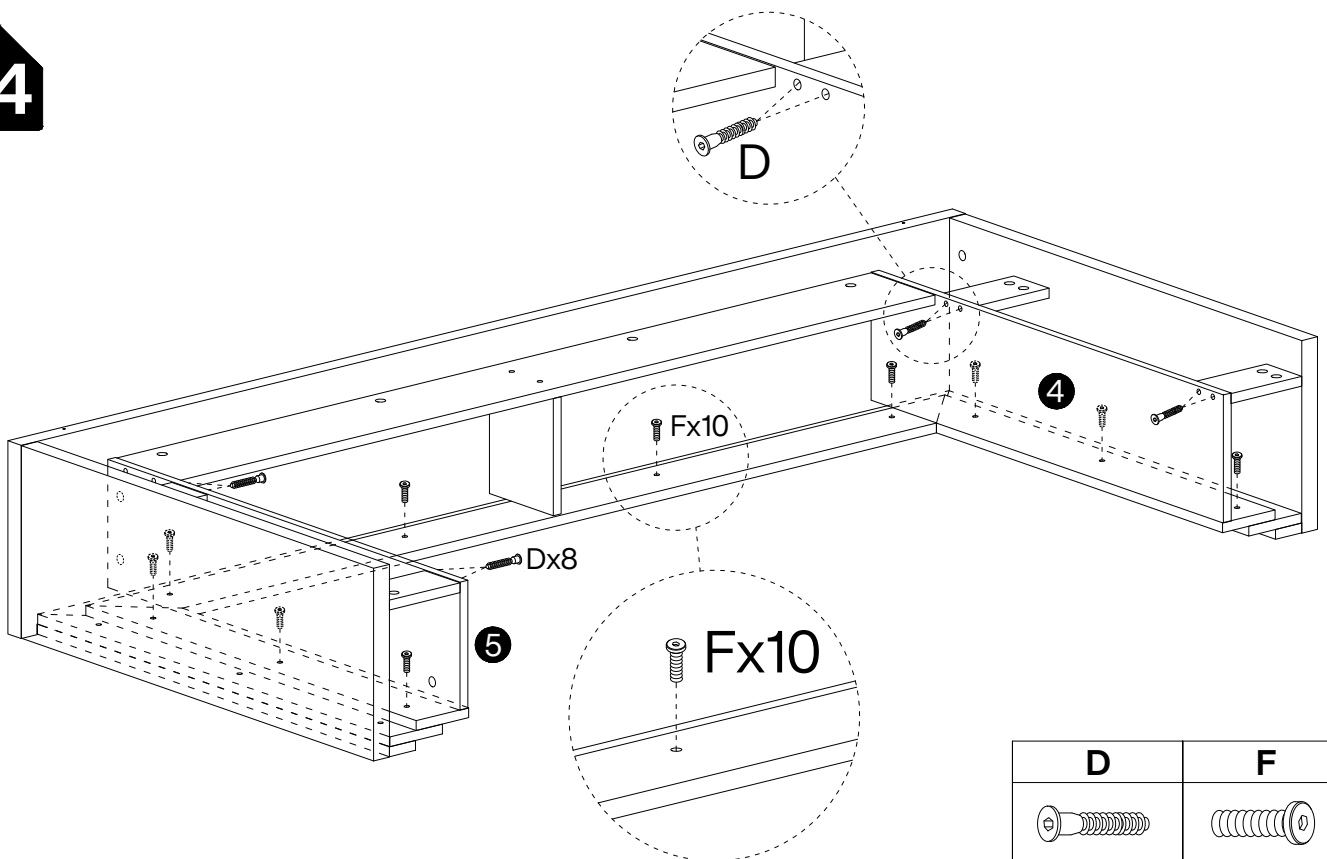


13



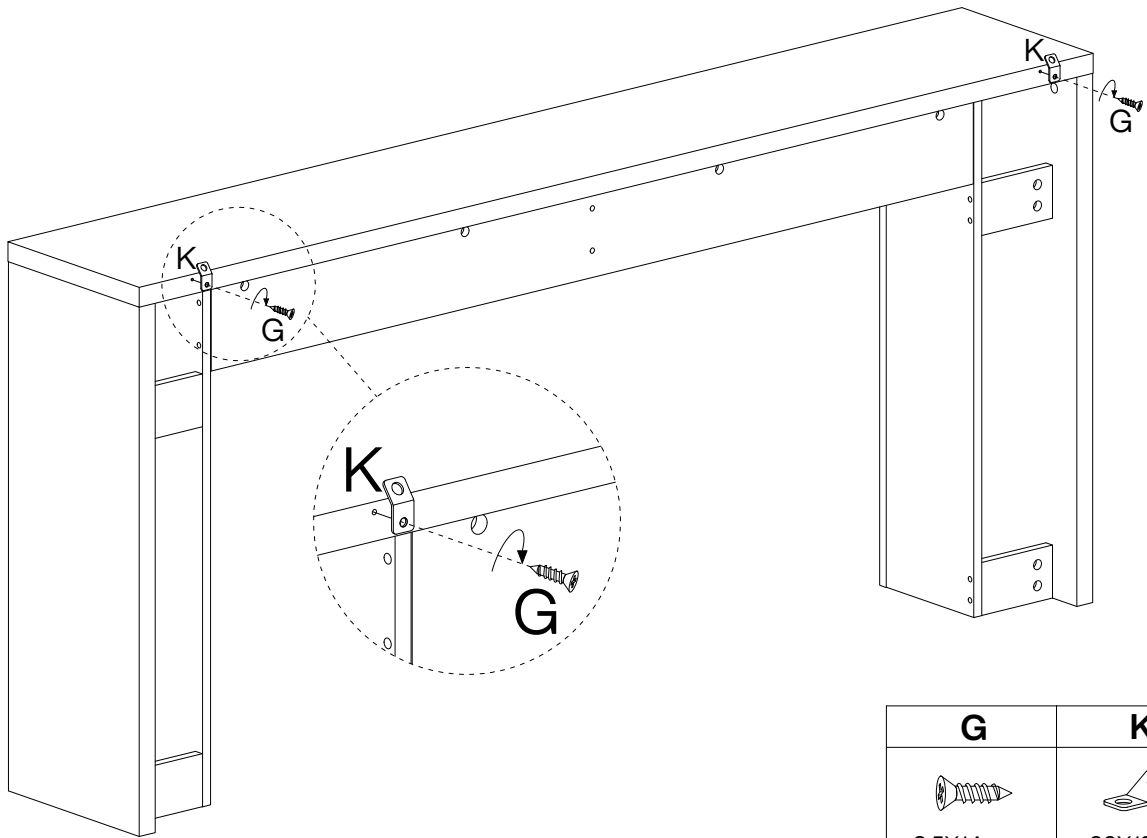
B
Ø15X12 mm
10 pcs



14



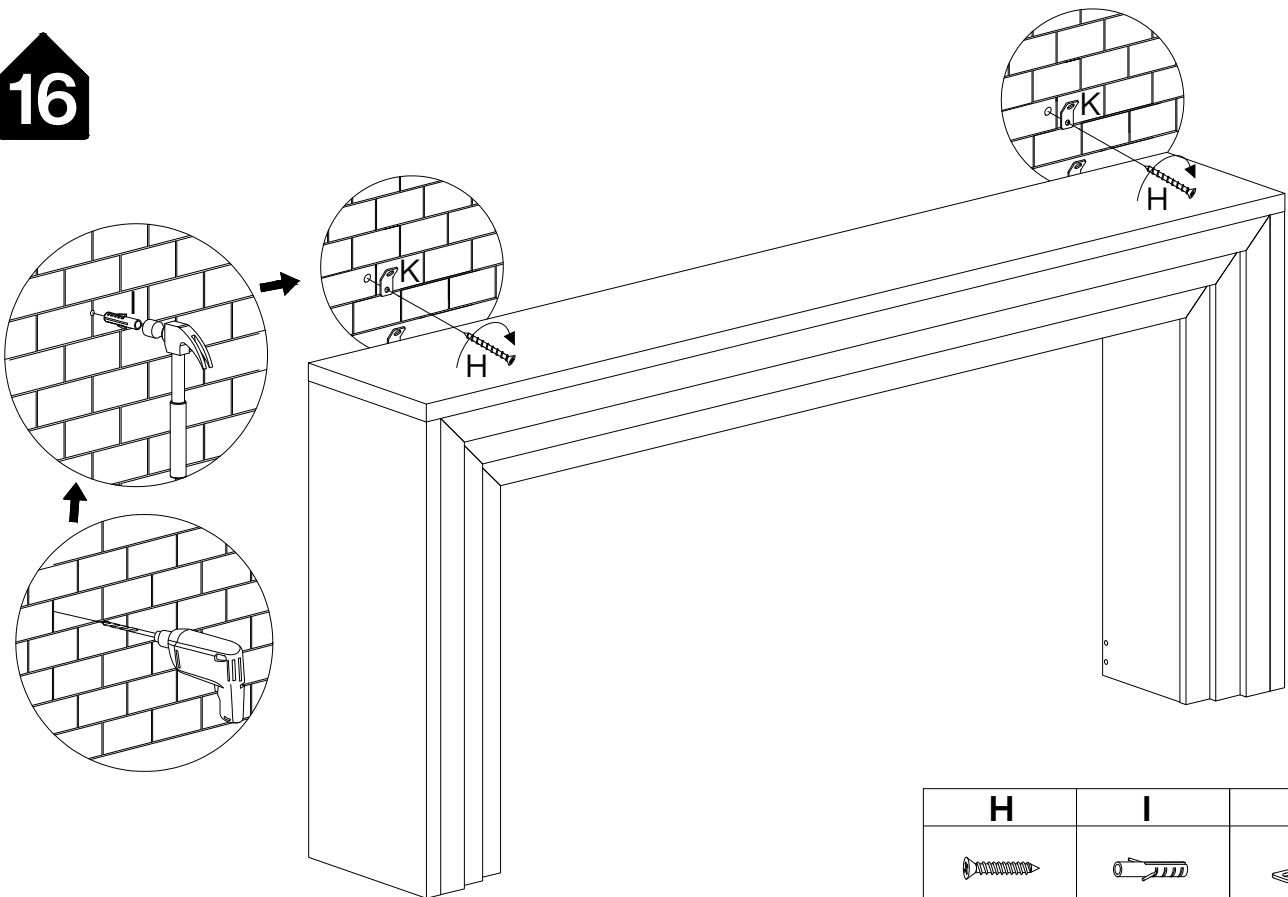
D	F
Ø7X47 mm	M6X25 mm
8 pcs	10 pcs


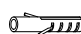

15



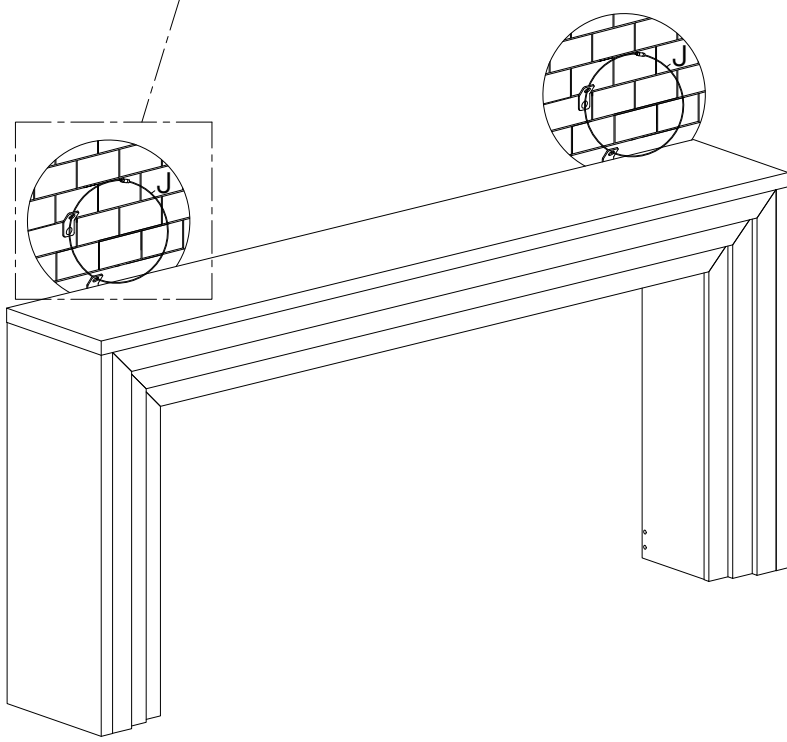
G	K
	
3.5X14 mm	26X13 mm
2 pcs	2 pcs


16



H	I	K
		
4X35 mm	Ø8X40 mm	26X13 mm
2 pcs	2 pcs	2 pcs

17



J

L250 mm
2 pcs

Thank you for your support!

