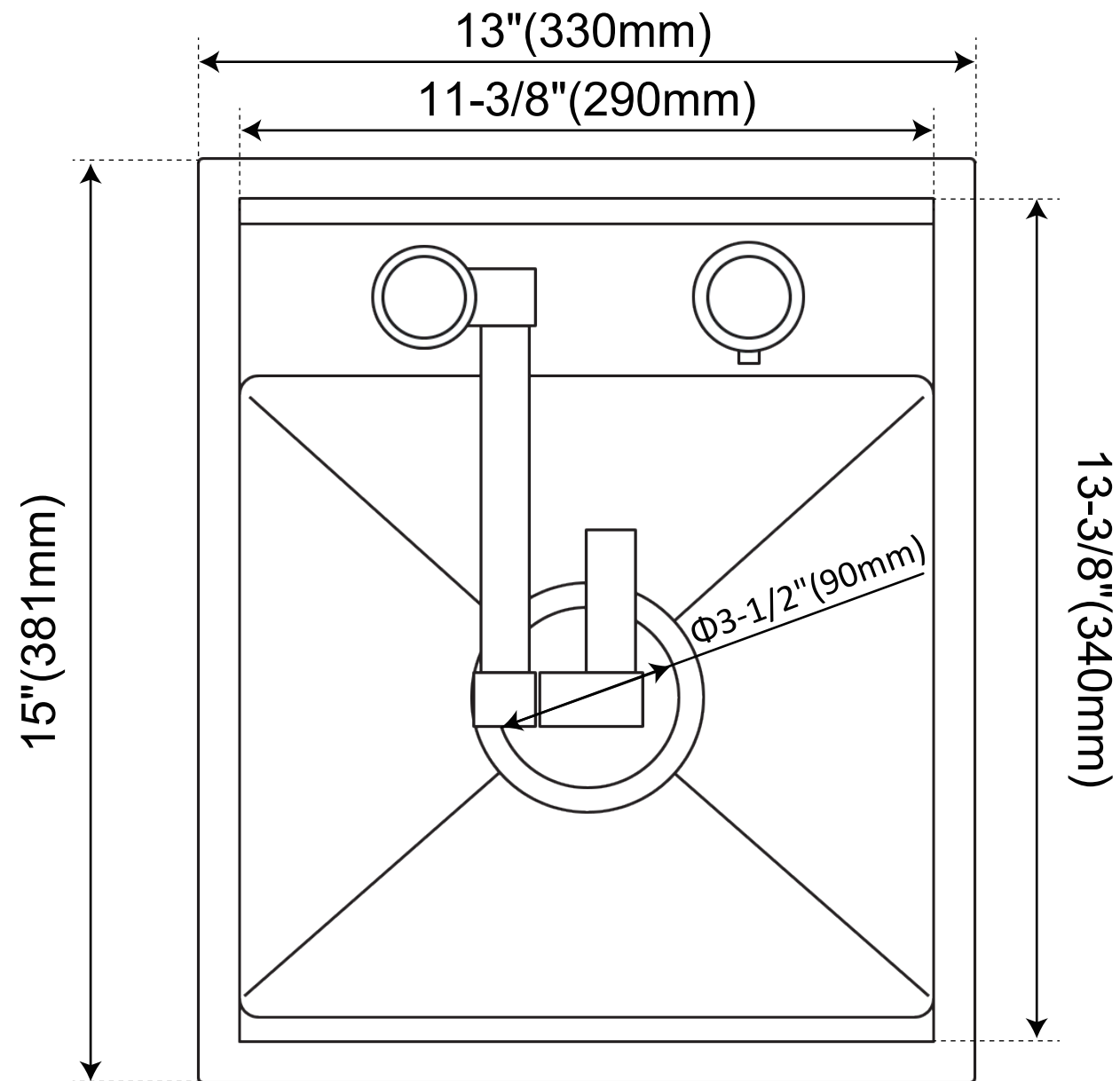
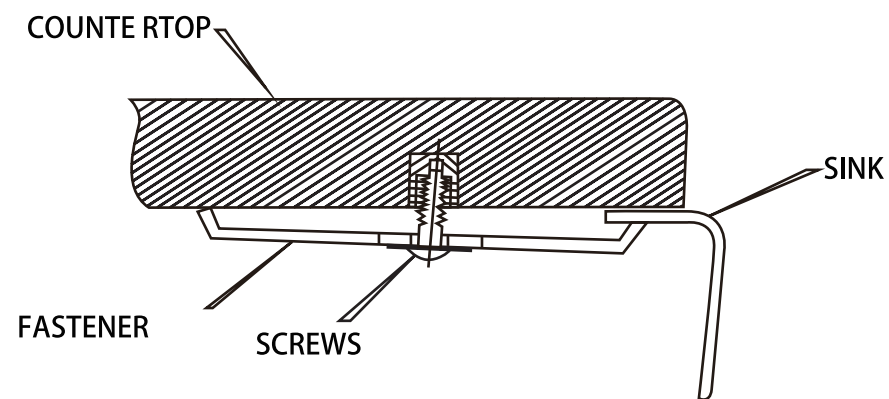


Model NO: RV1315R9NH/NG/WT
RV1315R7NH/NG/WT



Any questions.
PLS feel free to contact us.
We'll reply you within 24 hours.



Undermount Template 13-3/8 * 16-5/12" (340mm*417mm)
Please tear perforated edge for zero / flushed reveal
Topmount template 13-3/4 * 16-10/13" (349mm*426mm)

NOTE: Cutout template is provided as a guide ONLY and must be checked against actual sink to verify correct fit.

Hole size : 299mm*349mm Fillet: R10 (1:1) Applicable model:RV1315