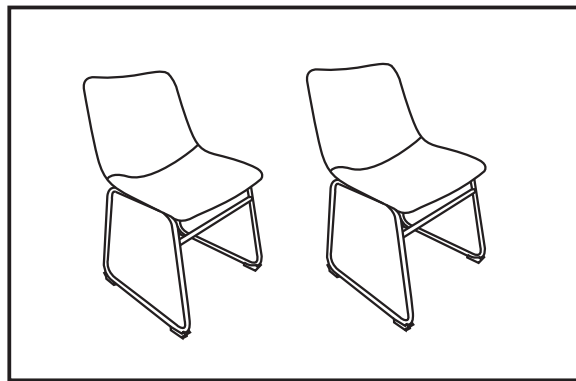


# INSTRUCTION MANUAL ENCLOSED

## INDOOR DINNING CHAIR

### INDOOR DINNING CHAIR ASSEMBLY INSTRUCTION

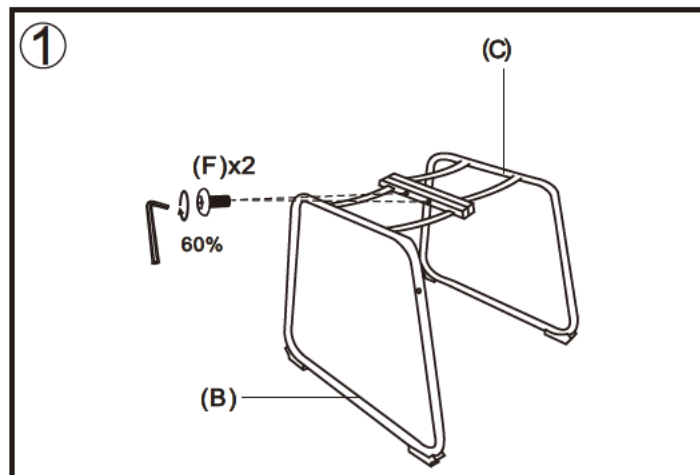


Part	PARTS LIST Description	Quantity
	<b>PARTS</b>	
A	Chair Top	1
B	Metal Frame	1
C	Metal Frame	1
D	Metal Frame	1
	<b>HARDWARE</b>	
E	Bolts	4
F	Bolts	2
G	Bolts	2
H	Allen Key	1

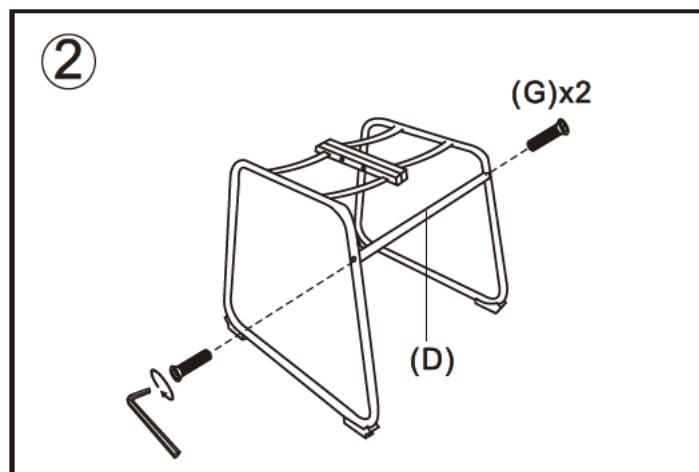
<b>A</b>  x1	<b>B</b>  x1	<b>C</b>  x1	<b>D</b>  x1
<b>E</b>  x4 (6*25mm)	<b>F</b>  x2 (8*12mm)	<b>G</b>  x2 (6*30mm)	<b>H</b> x1  x1

# PLEASE READ AND FOLLOW ALL SAFETY TIPS

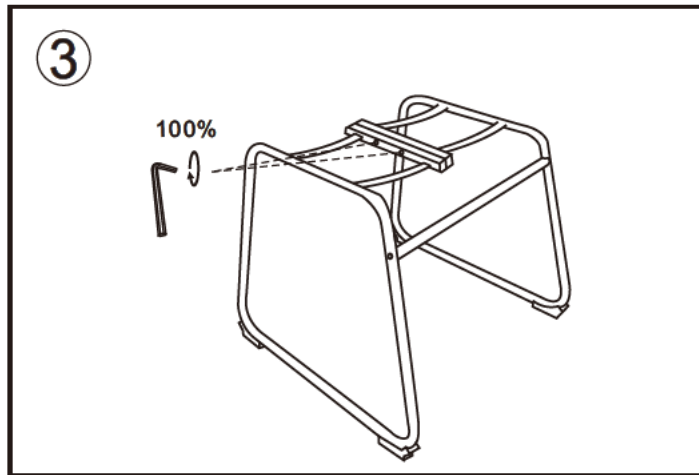
1. Taking Metal Frame (B) and Metal Frame (C), Use Allen Key (H) to fasten 2 Bolts (F) of 60% tightness to connect these two Metal Frame. (Photo 1)



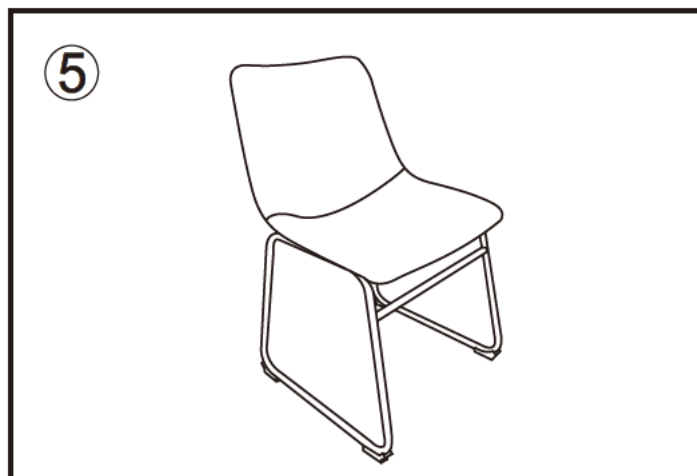
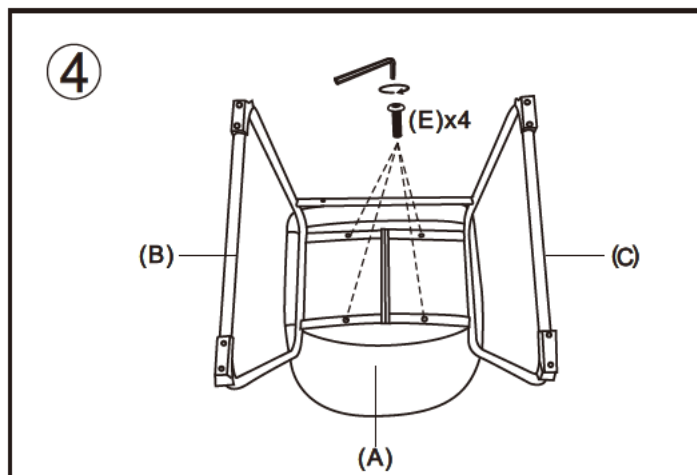
2. Hardwares (D) to these 2 frame, Use Allen Key (H) to fasten 2 Bolts (G) to hold them. (Photo 2)



3. Use Allen Key(H) to 100% completely fasten 2 Bolts(F).  
(Photo 3)



4. Use Allen Key(H) to fasten 4 Bolts(E) on the bottom of the  
Chair Top(A). (Photo 4)



Till now you have finished the whole assembly and enjoy your furniture!