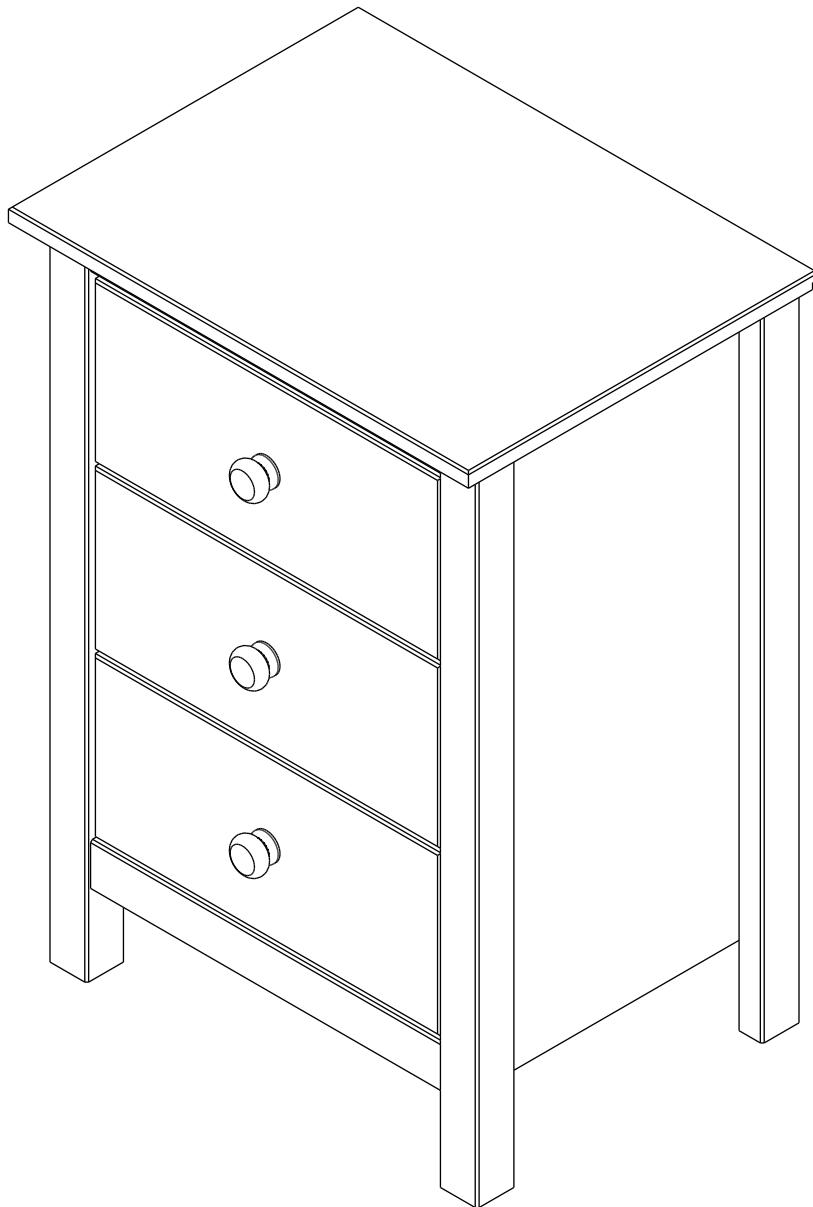
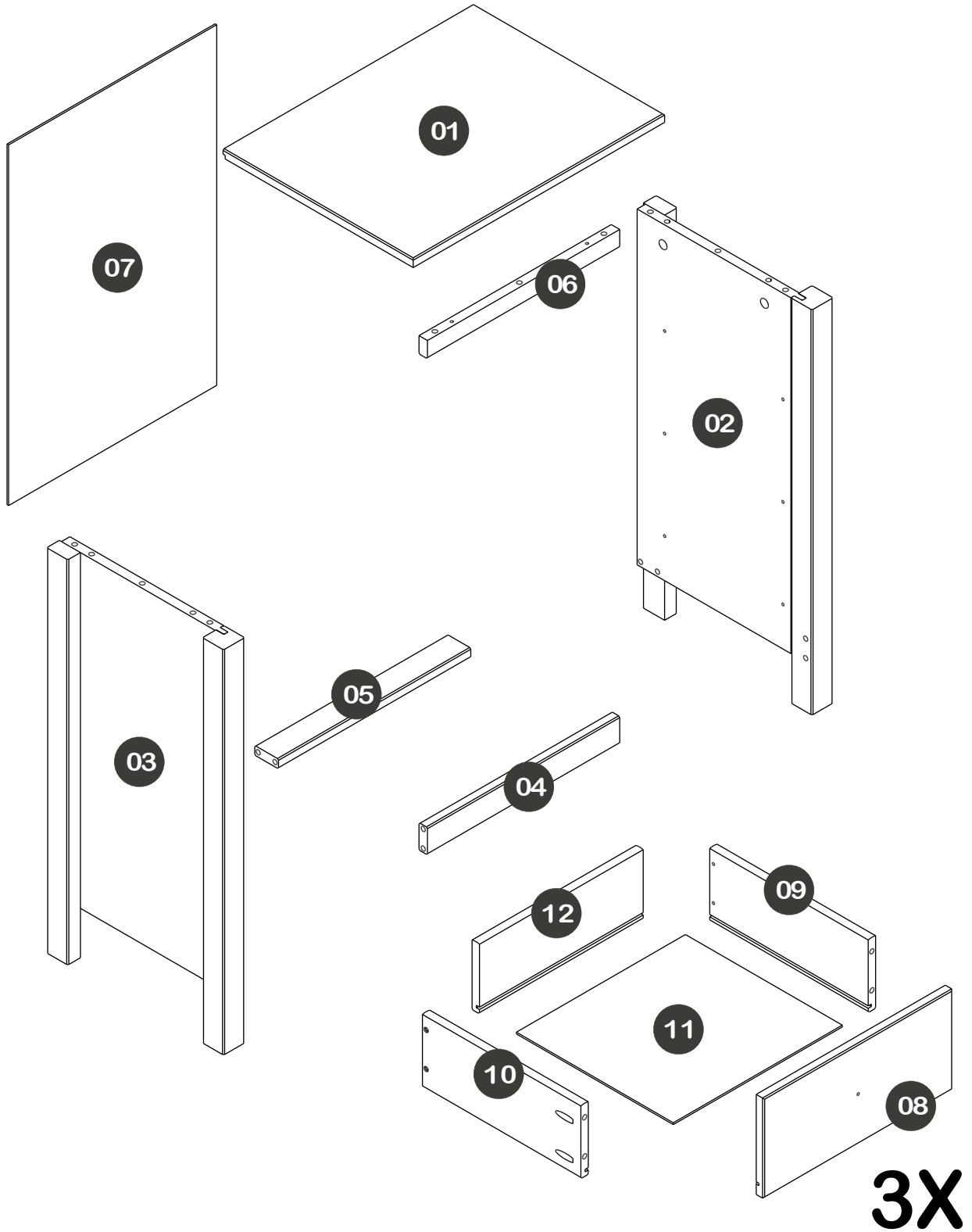
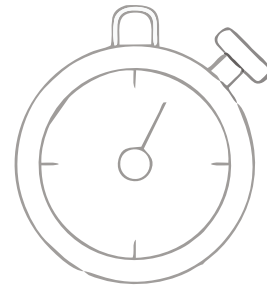
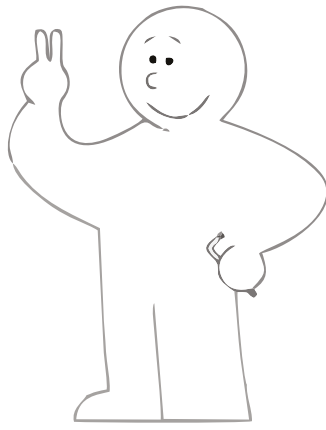
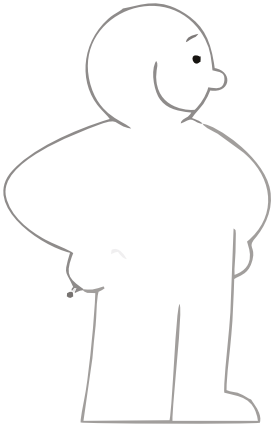


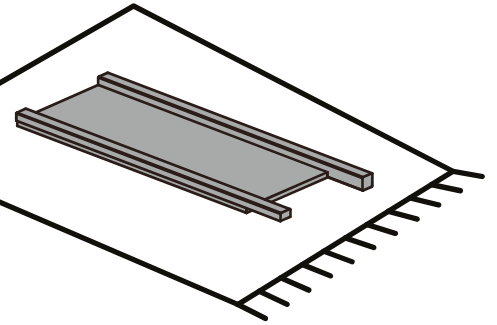
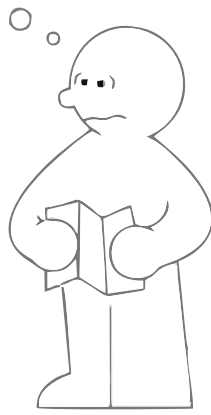
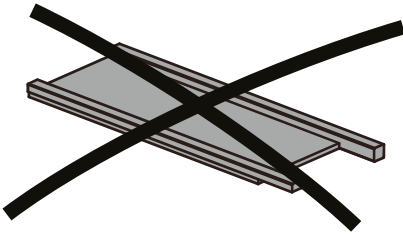
3 DRAWER BEDSIDE



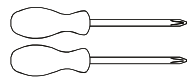
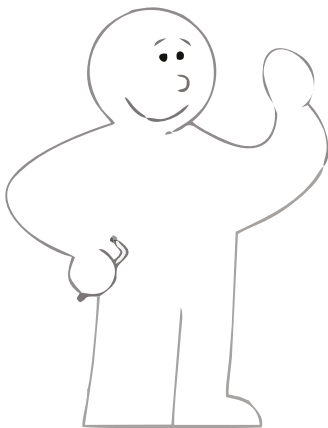




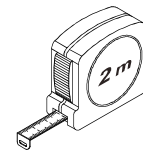
30 Min



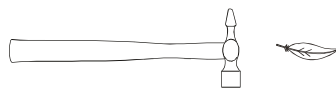
Tools required



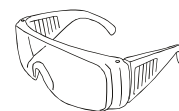
Phillips screwdriver
(medium & large)



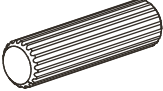


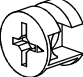

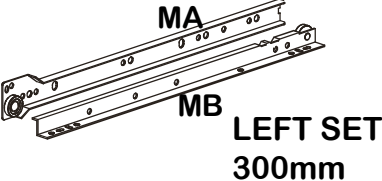
Ruler/tape
measure

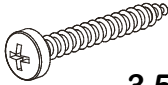

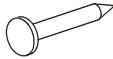
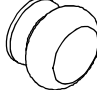
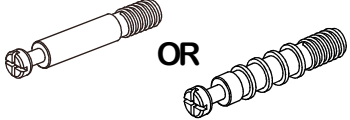

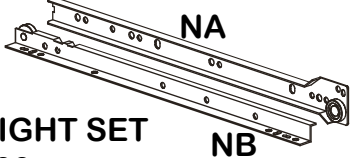


Small
hammer



Eye protection
(when using a
hammer or glue)

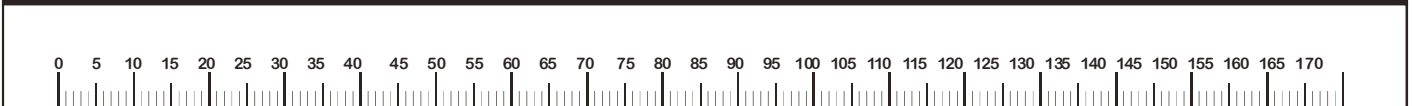
A	 8x30mm	29
C	 6,0x10mm	12
E	 3,0x16mm	19
I		04
K		02
M	 MA MB LEFT SET 300mm	03

B	 3,5x30mm	28
D	 4,0x40mm	05
F		16
H		03
J	 OR	04
L		01
N	 NA NB RIGHT SET 300mm	03

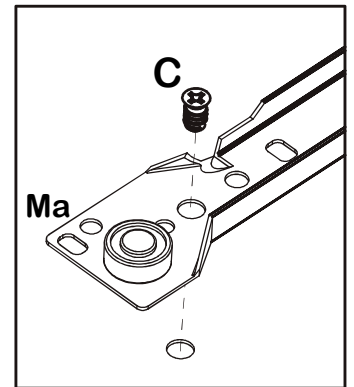
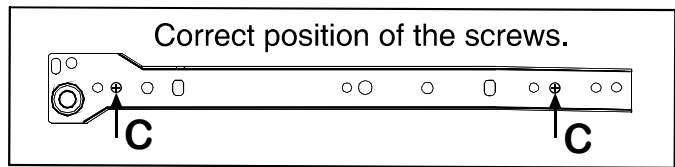
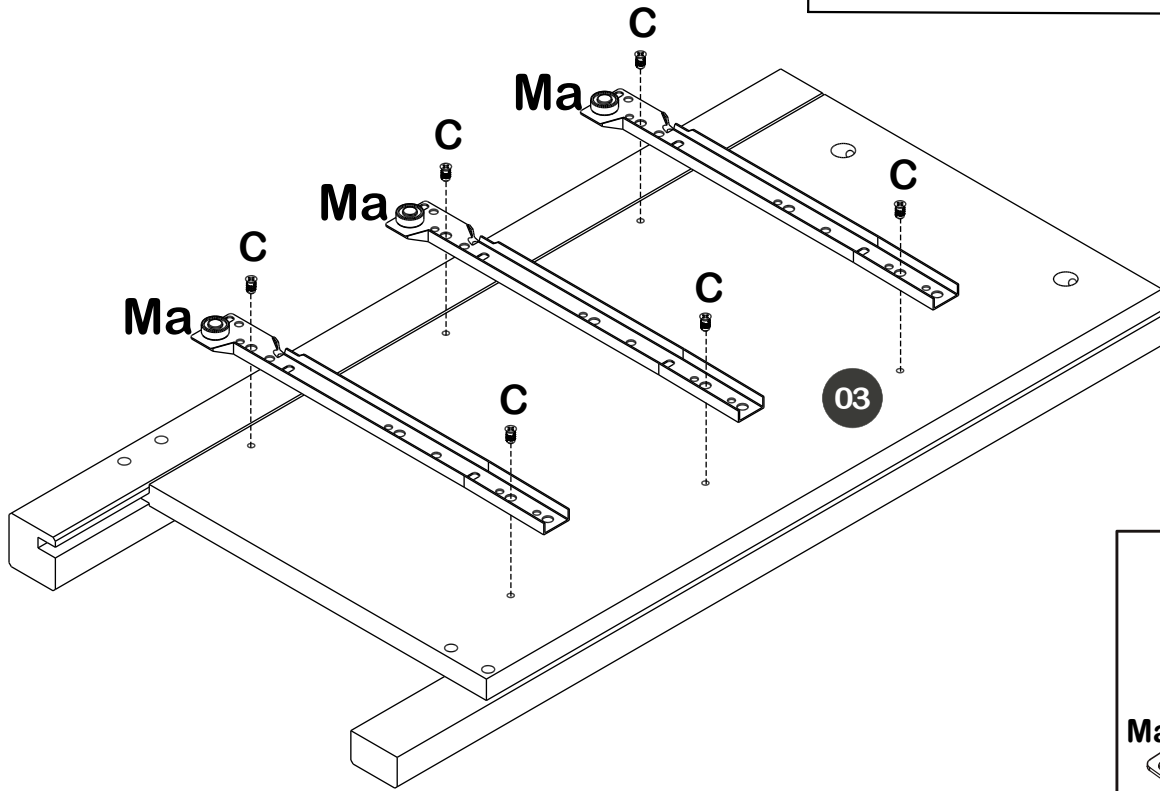


HARDWARE IS LOCATED INSIDE A CARDBOARD BOX ! CHECK FOR IT BEFORE DISPOSING PACKAGING

Ruler - Use this ruler to help correctly identify the screws

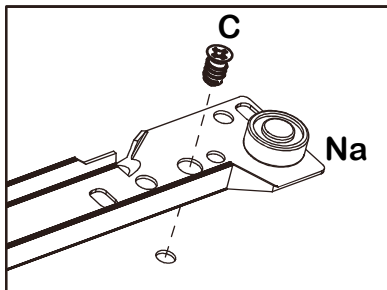
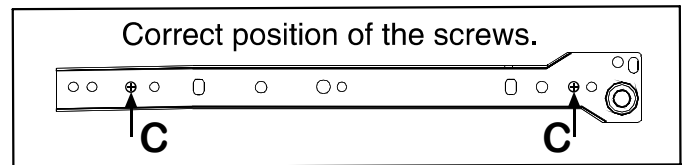
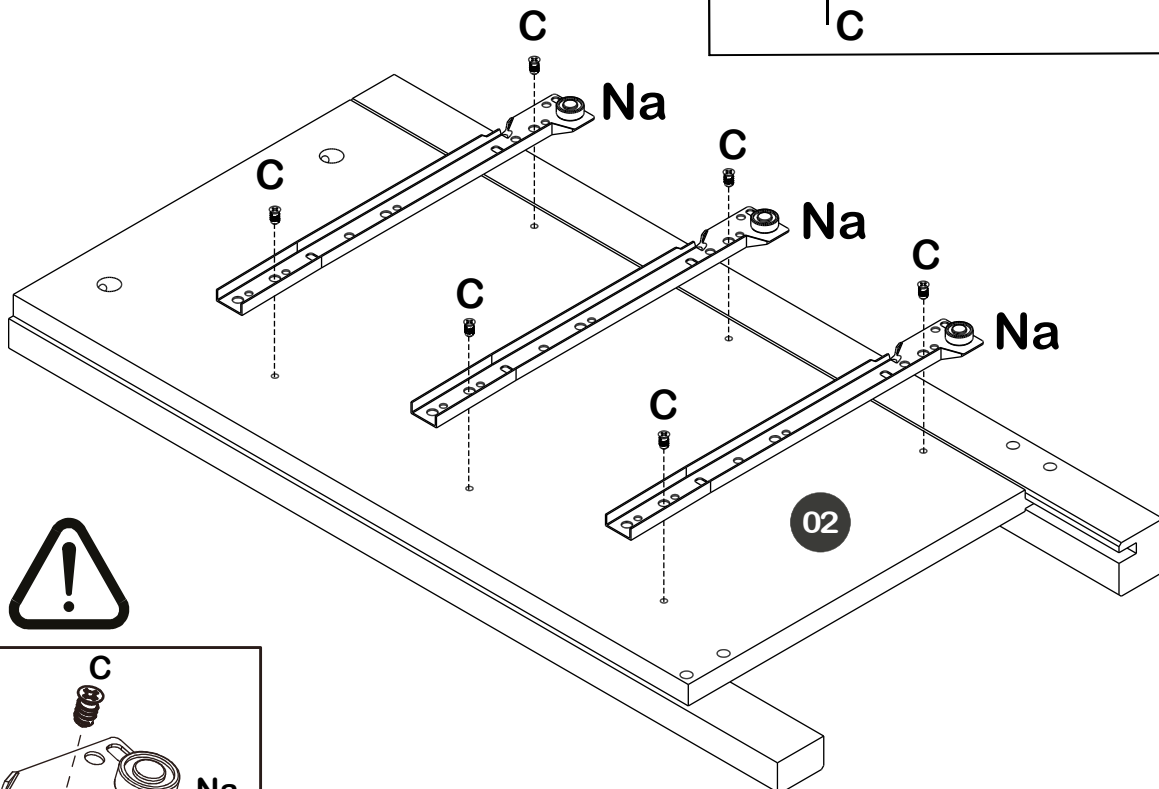


01

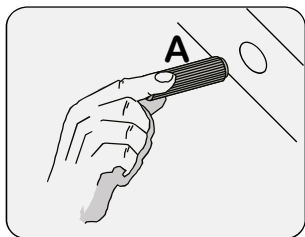
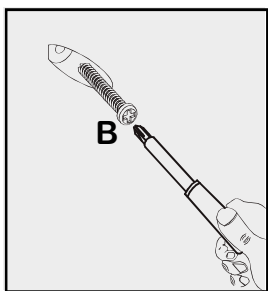
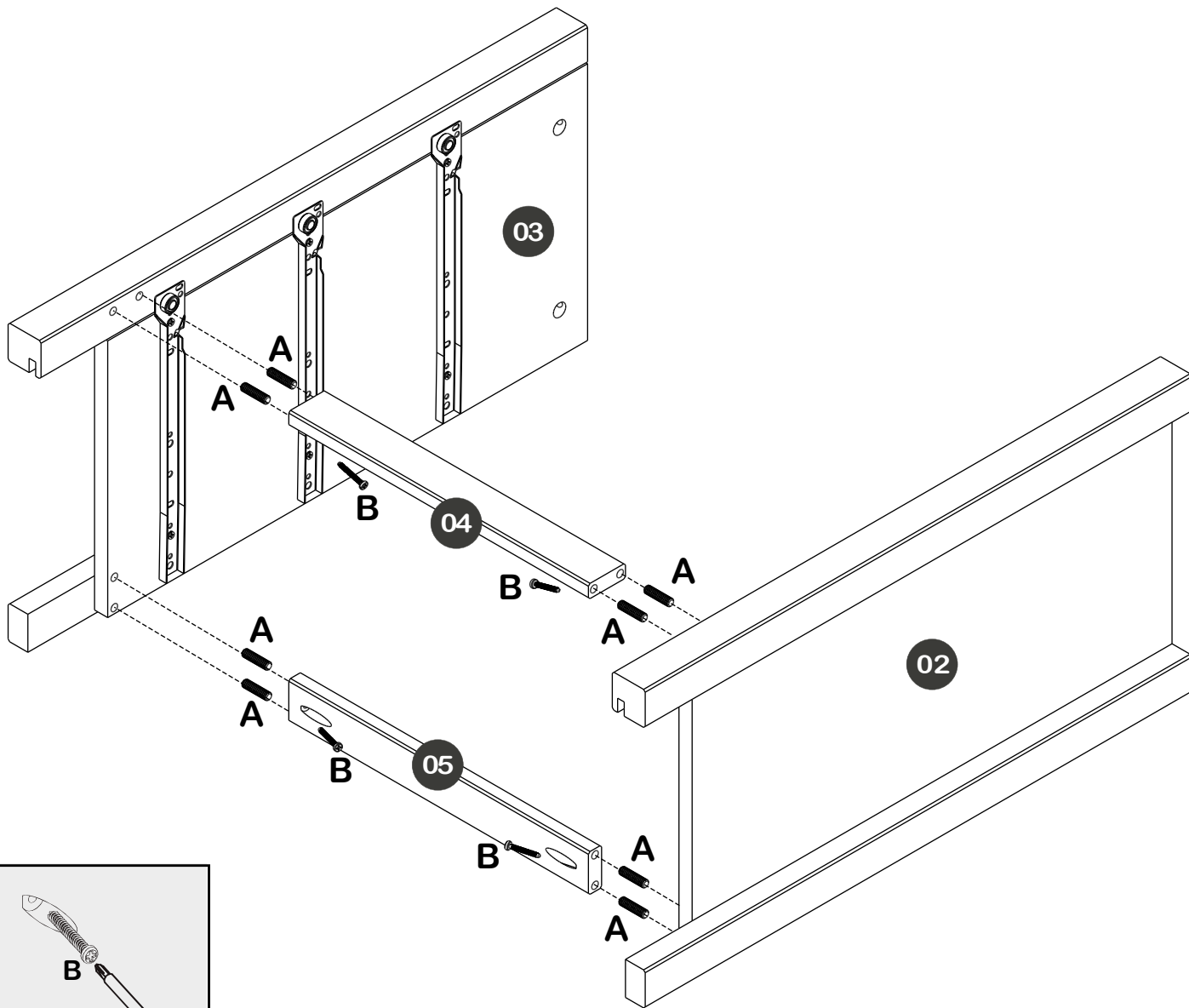




C		06	M		03
	6,0x10mm			LEFT SET	

02

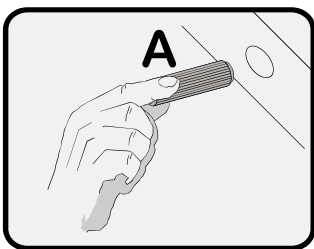
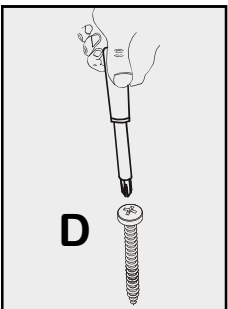
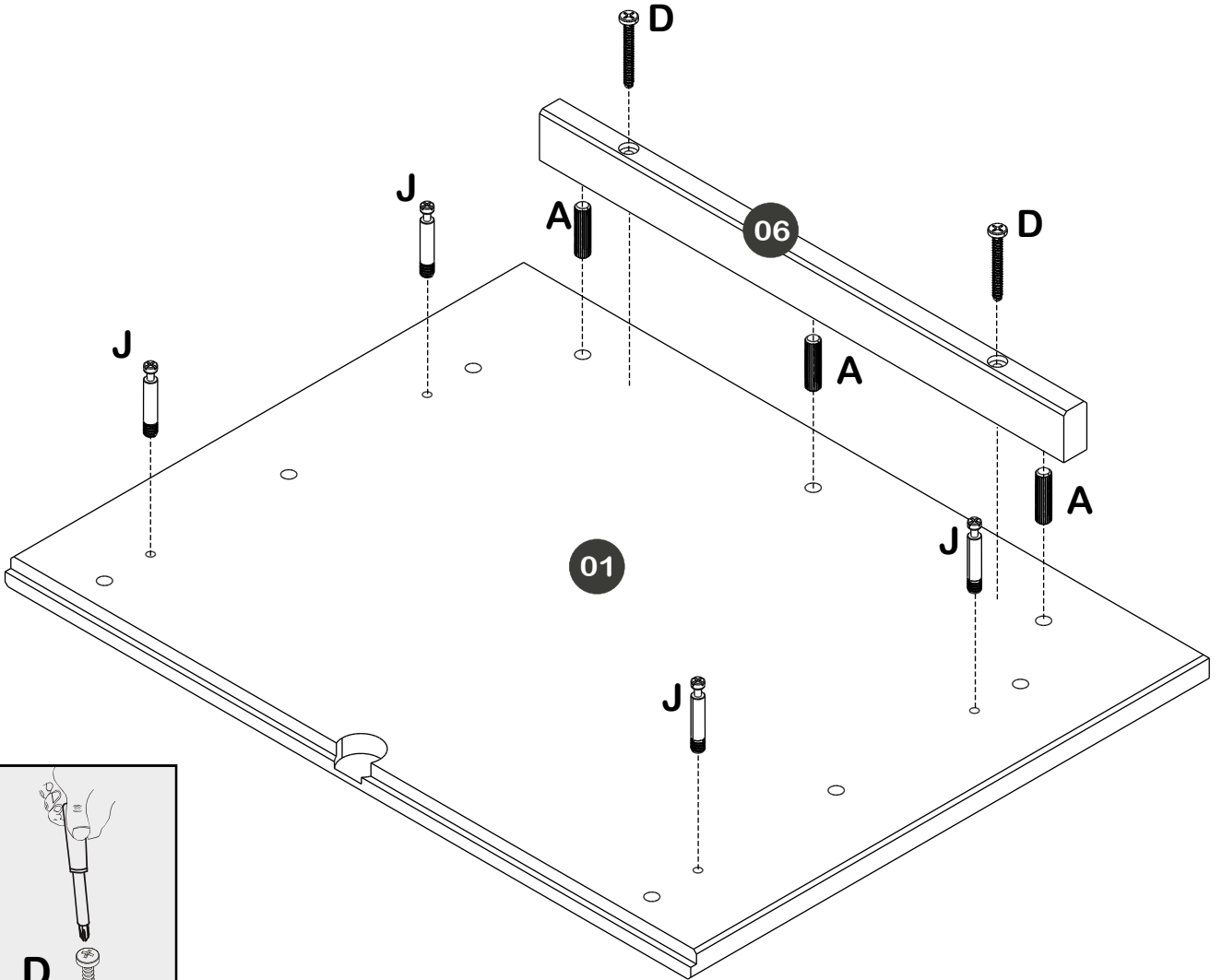
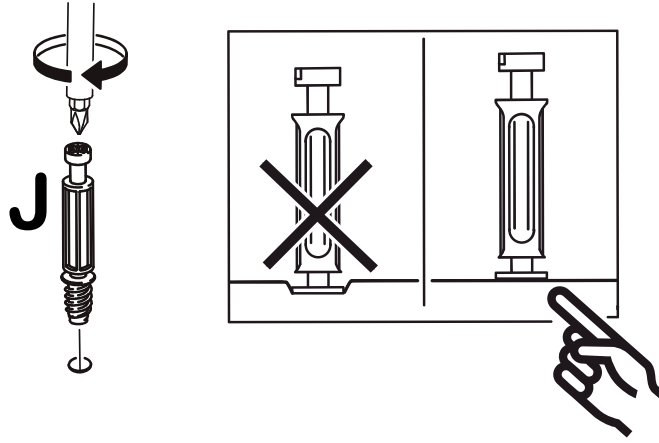


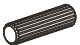


C		06	N		03
	6,0x10mm			RIGHT SET	



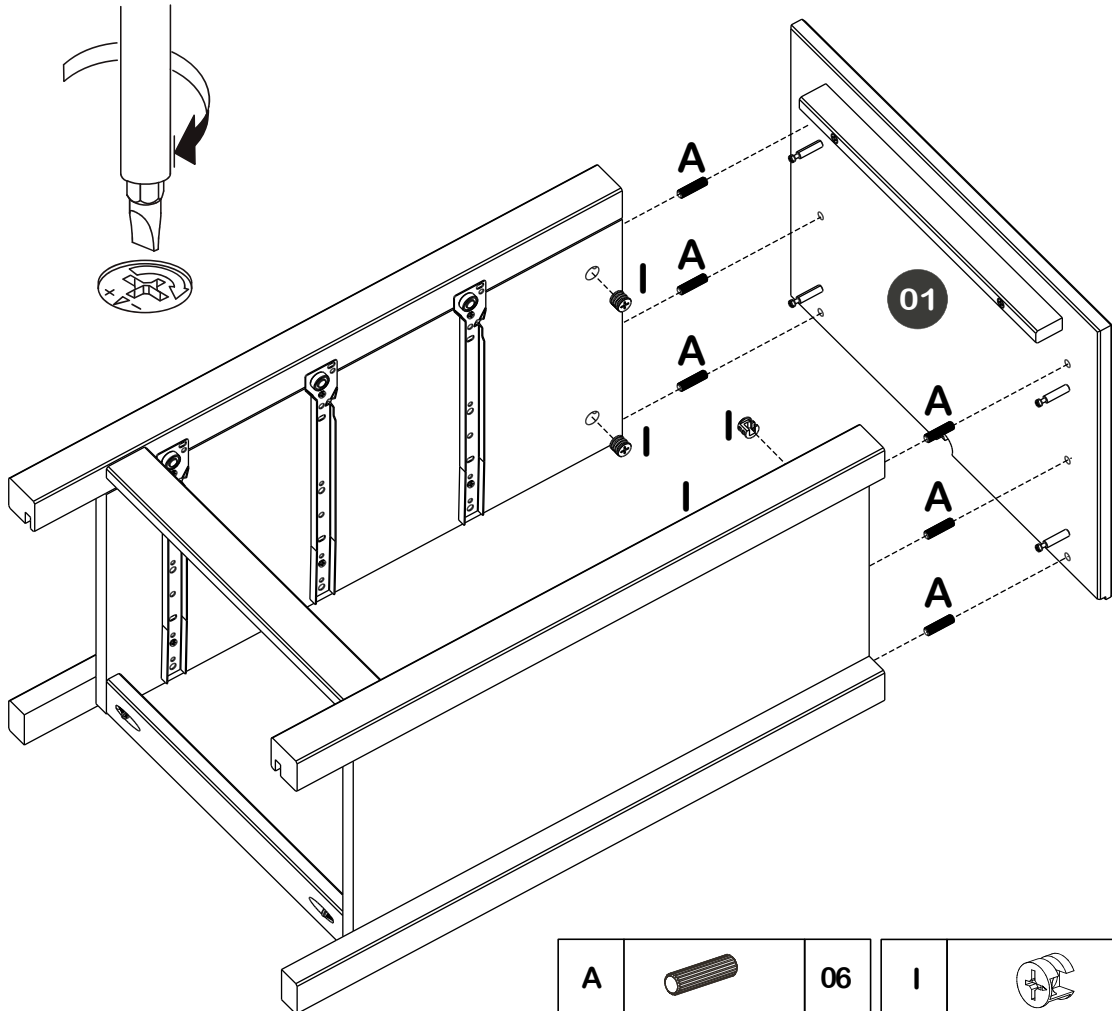
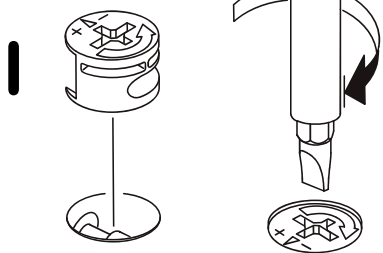
B	 3,5x30mm	04	A		08
---	---	----	---	---	----



04



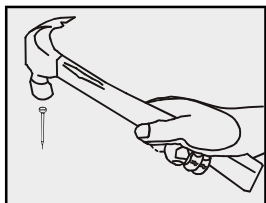
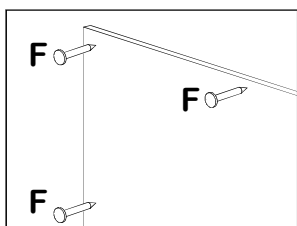
A	 8x30mm	03	J		04	D	 4,0x40mm	02
---	---	----	---	---	----	---	---	----

05

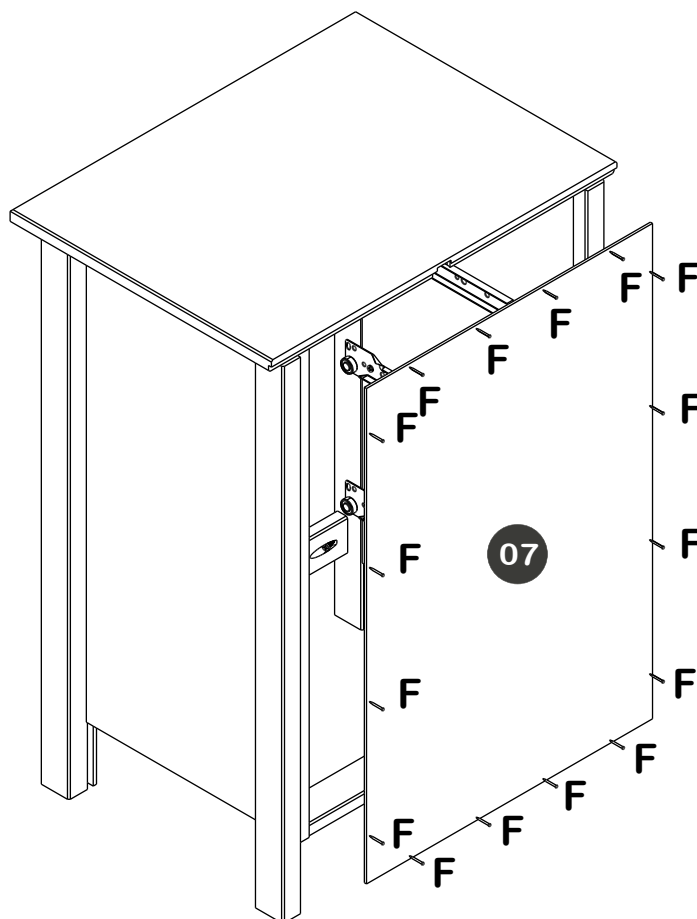



A		06	I		04
---	---	----	---	---	----

06

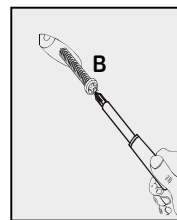
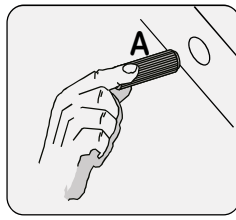


Use all back panels nails. Evenly spaced, they help make the unit strong.

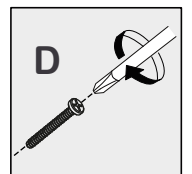
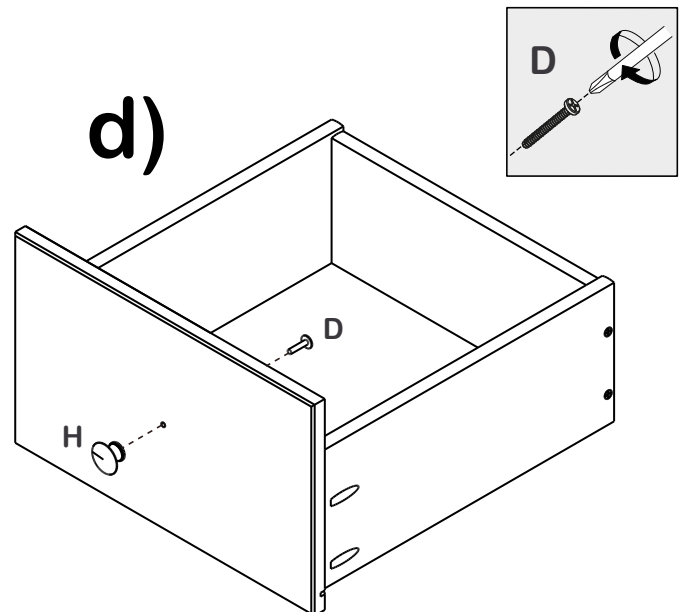
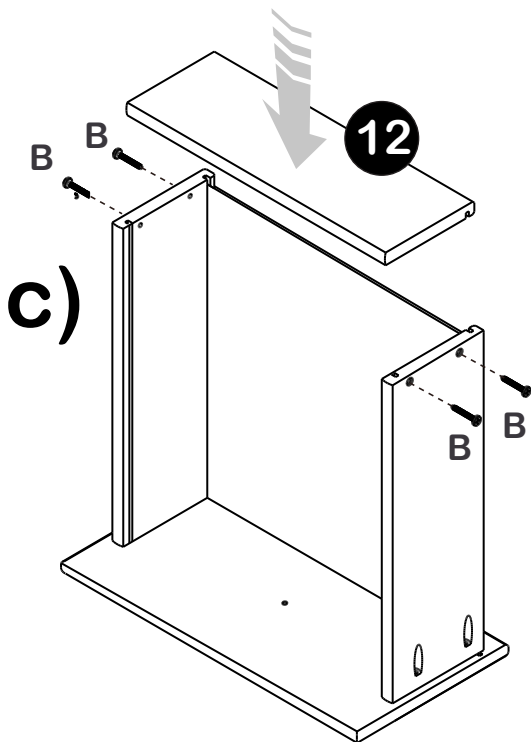
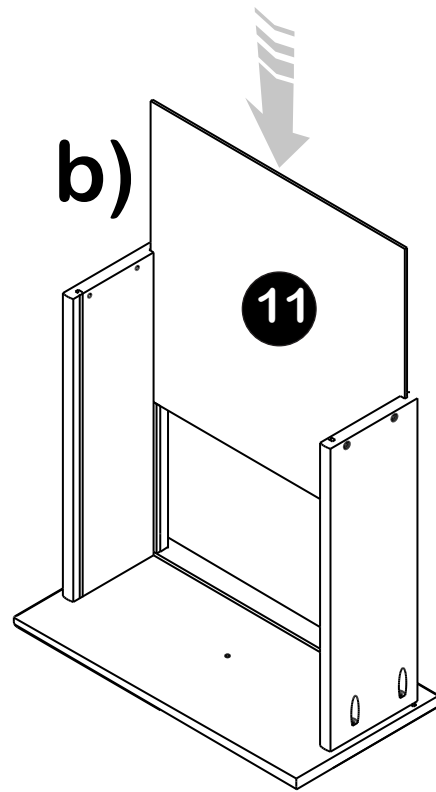
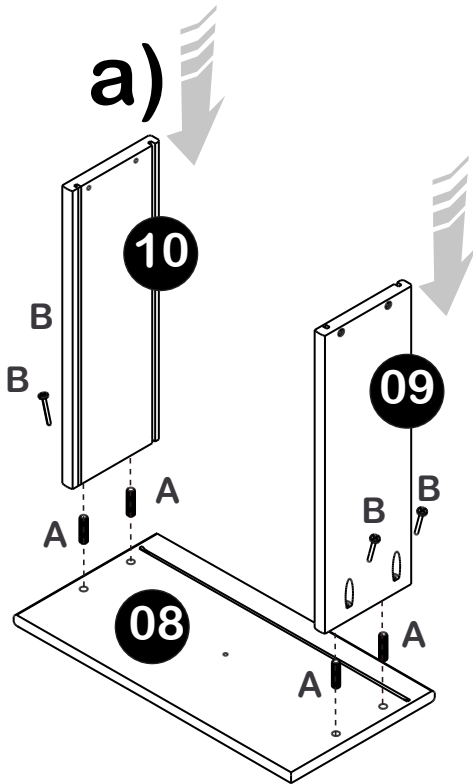






F		16
---	---	----

07

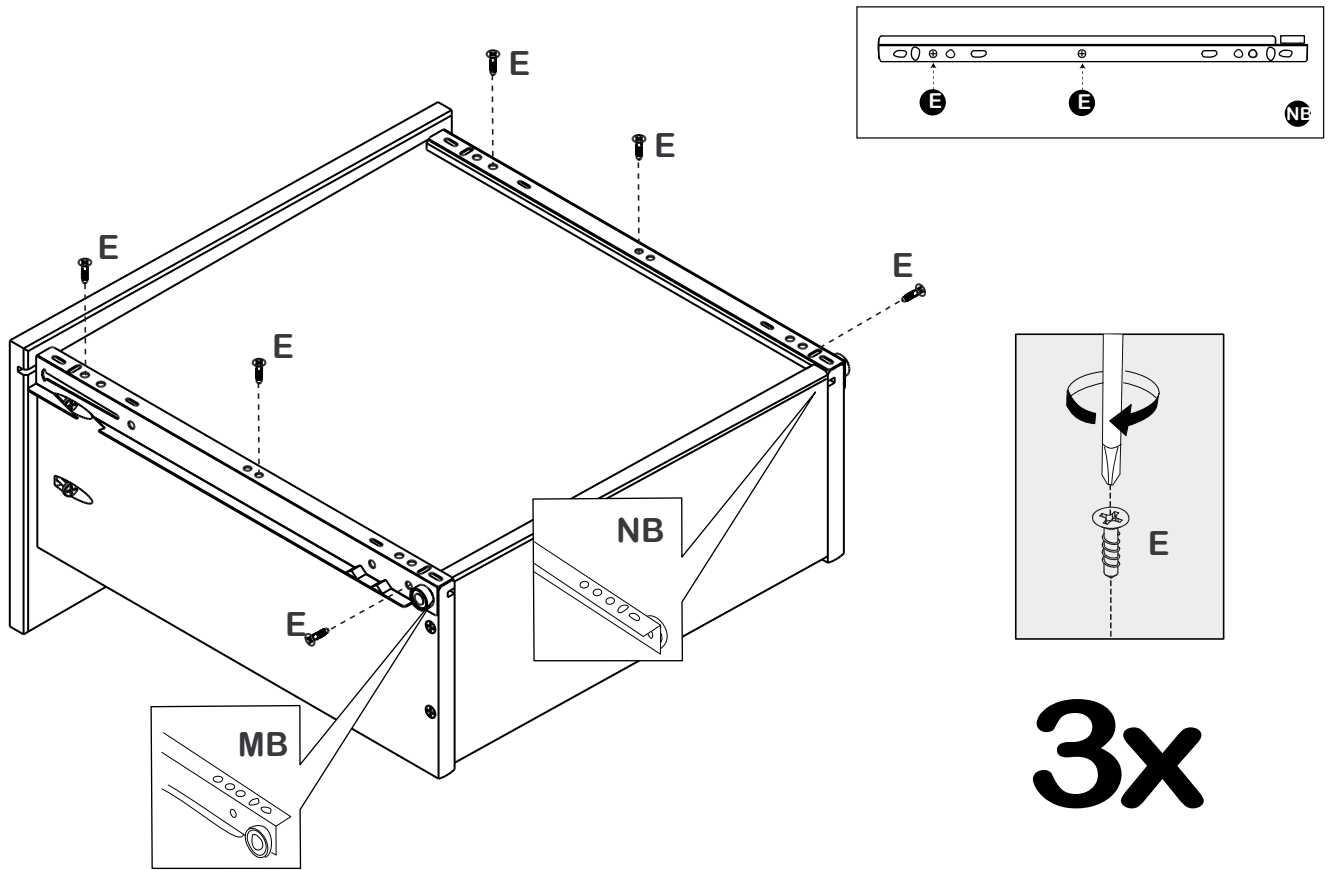



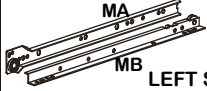
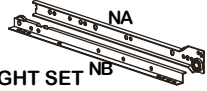
3x



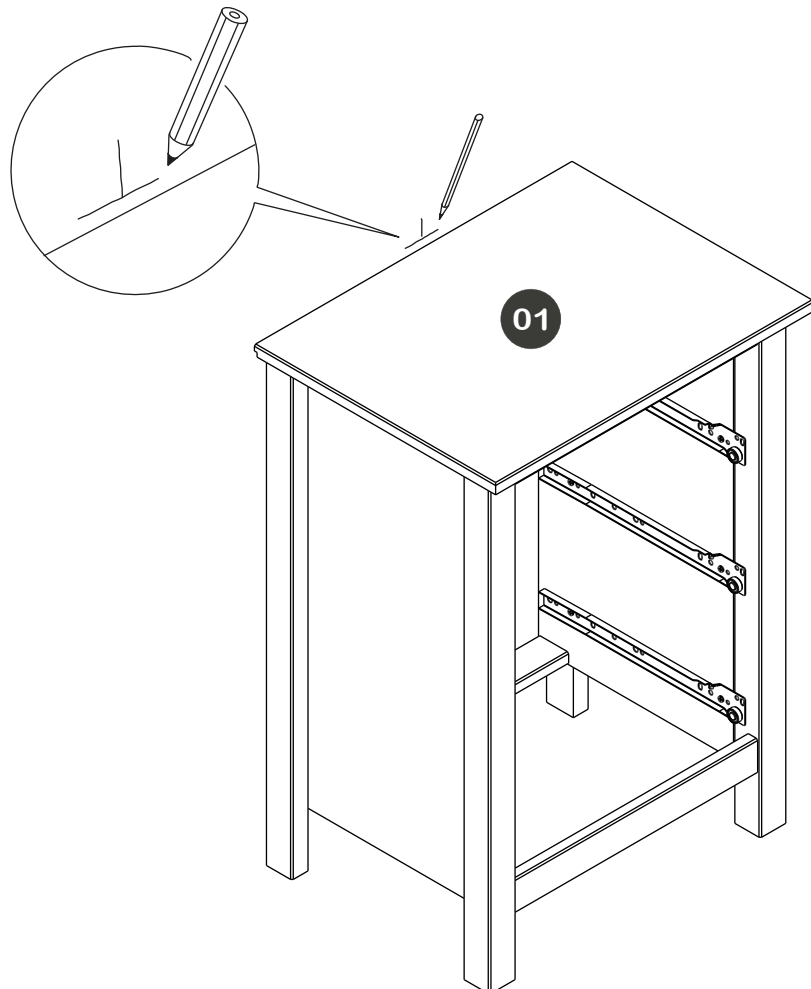
B		24	A		12	H		03	D		03
	3,5x30mm									4,0x40mm	

08



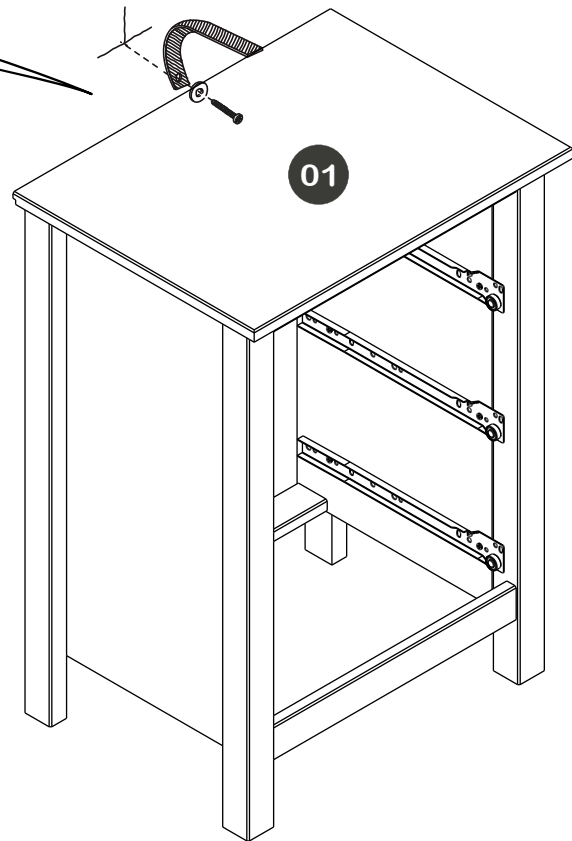
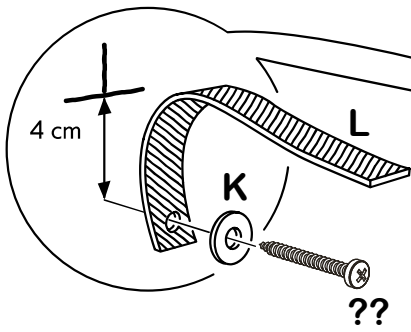
E	 3,0x16mm	18	M	 LEFT SET	03	N	 RIGHT SET	03
---	---	----	---	--	----	---	---	----

09



Position the furniture into place and make a mark to the wall, as shown.

10



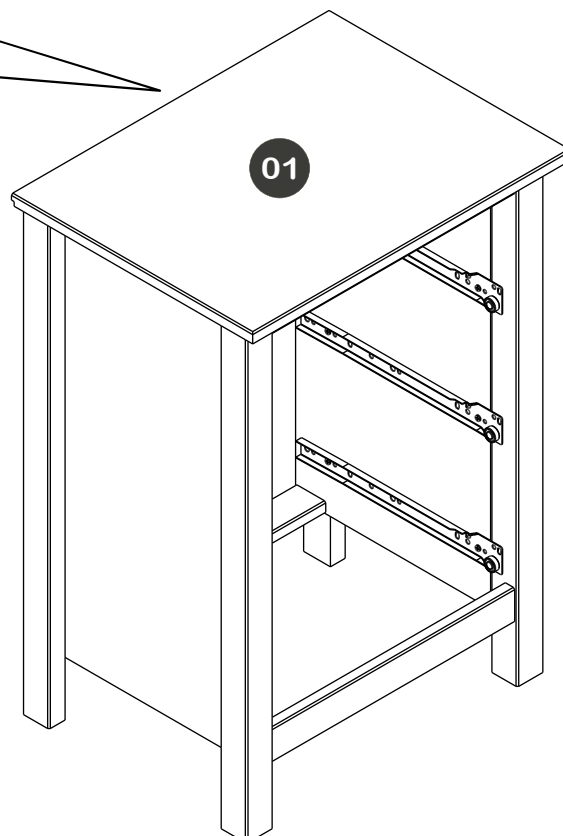
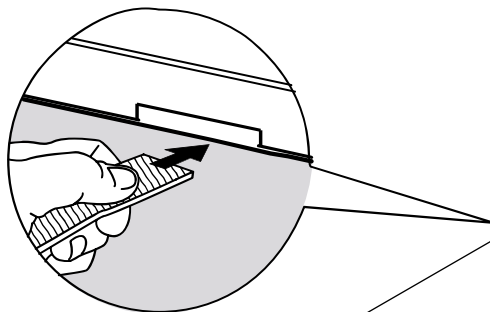
With help, carefully move the furniture away to access the mark in the wall.

Drill hole on wall 4cm below the mark, as shown in the diagram.




Before drilling, check wall for hidden pipes and cables.


11

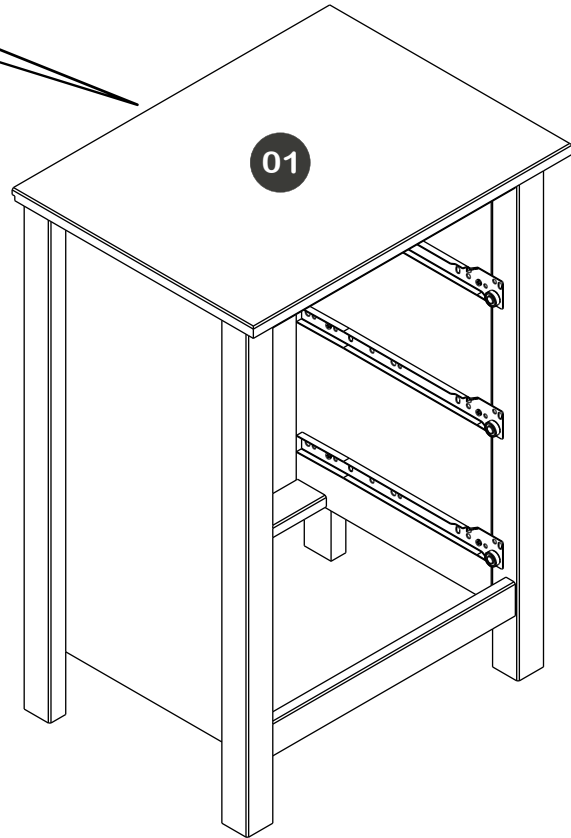
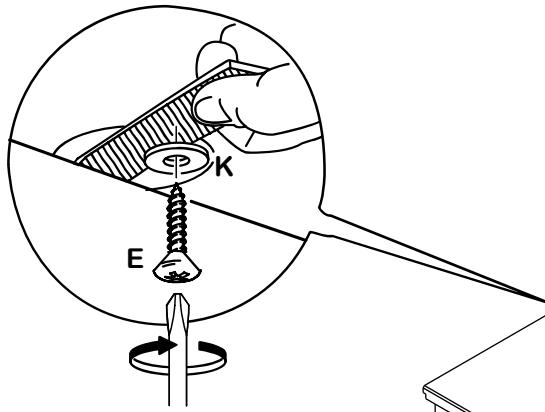


With help, carefully move the furniture back to position and insert wall strap into slot on top panel, as shown.

12

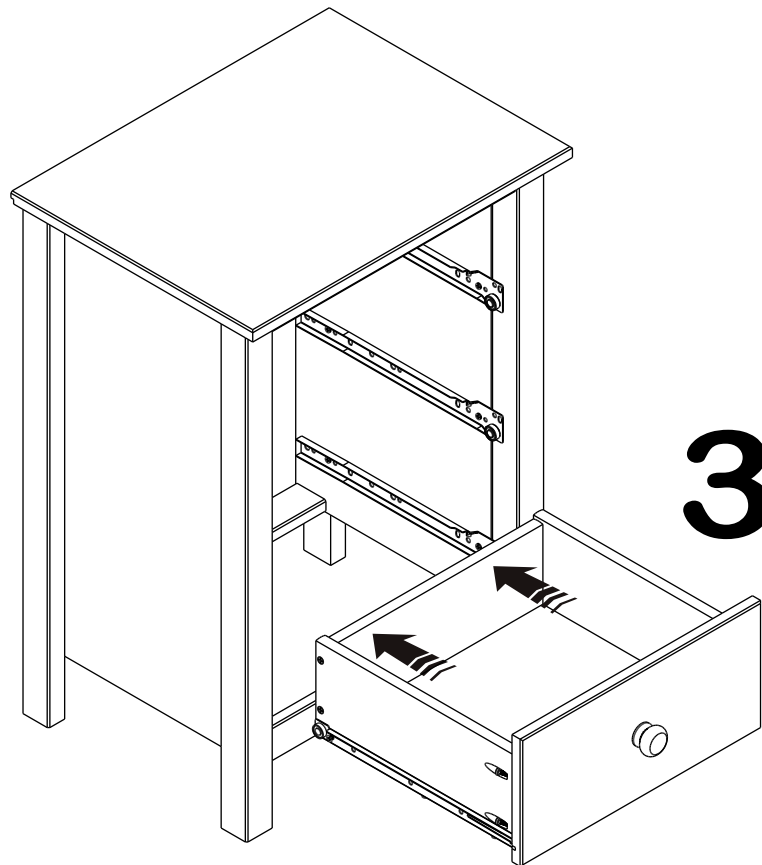
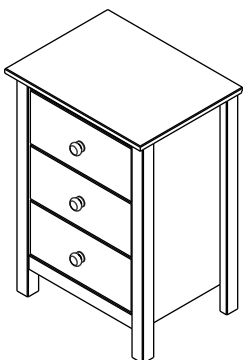
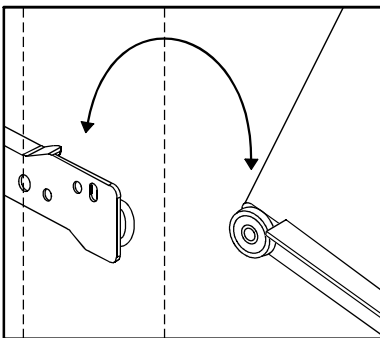
K		01
---	---	----

E		01
<small>3,0x16mm</small>		



Inside the cabinet, hold wall strap in position and fix it using washer and screw , as shown.

13



3x