

Floating shelf installation

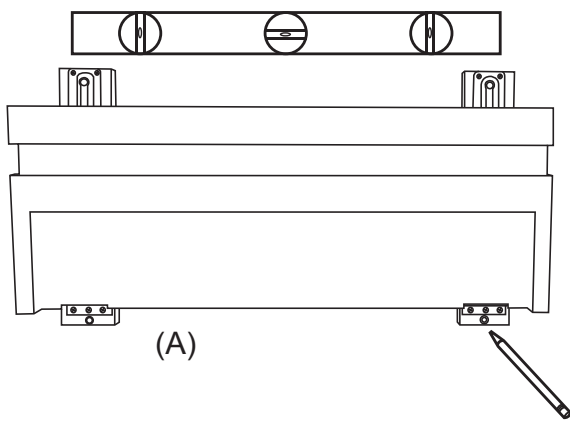
Package Content

(A) Shelf x 1 (B) Screws x 4 (C) Plugs x 4

Tools Needed

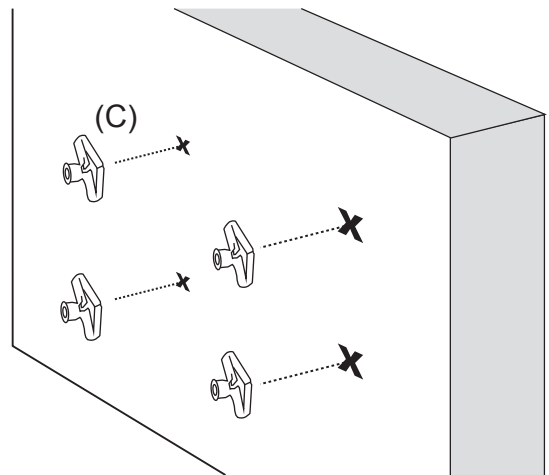
Screwdriver Power drill
Level Pencil Drill bit

INSTRUCTION



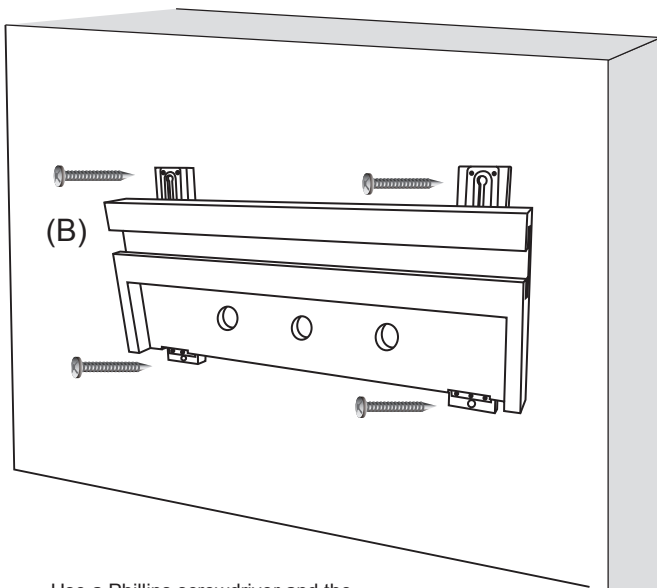
1.

- While holding the shelf (A) against the wall, use a level to ensure that the shelf (A) is level.
- Use a pencil to mark the shelf (A) holes on the wall.
- Ensure that hinge on the shelf (A) are below.



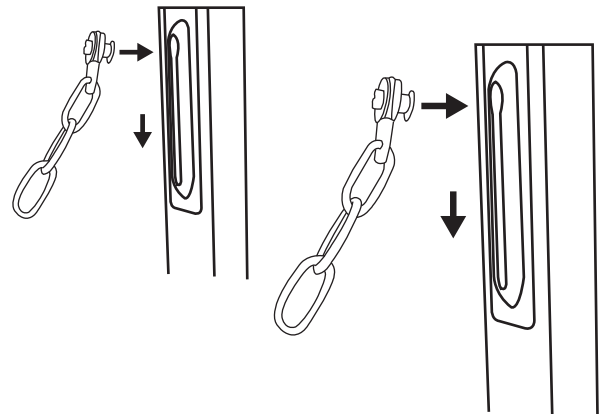
2.

- Using a power drill and drill bit, drill holes into the wall at the pencil marks.
- Insert the plugs (C) into the holes and lightly tap plugs with a hammer until they are securely in place flush with the face of the wall.



3.

- Use a Phillips screwdriver and the screws (B) to secure the shelf (A) to the wall.



4.

- As the picture shows, Install the chain to the location of the metal part on the shelf.

DISCLAIMER: Install and shelving units according to instructions provided. We and its related companies are not responsible for injury or damage resulting from incorrect installation or use. Products are for use only as shelves units and are not intended for any other purposes.

For assistance with installation or missing parts, please contact us.

* The emission of the chemicals listed in Prop 65 in this product has been tested to meet the standard of CARB ATCM.