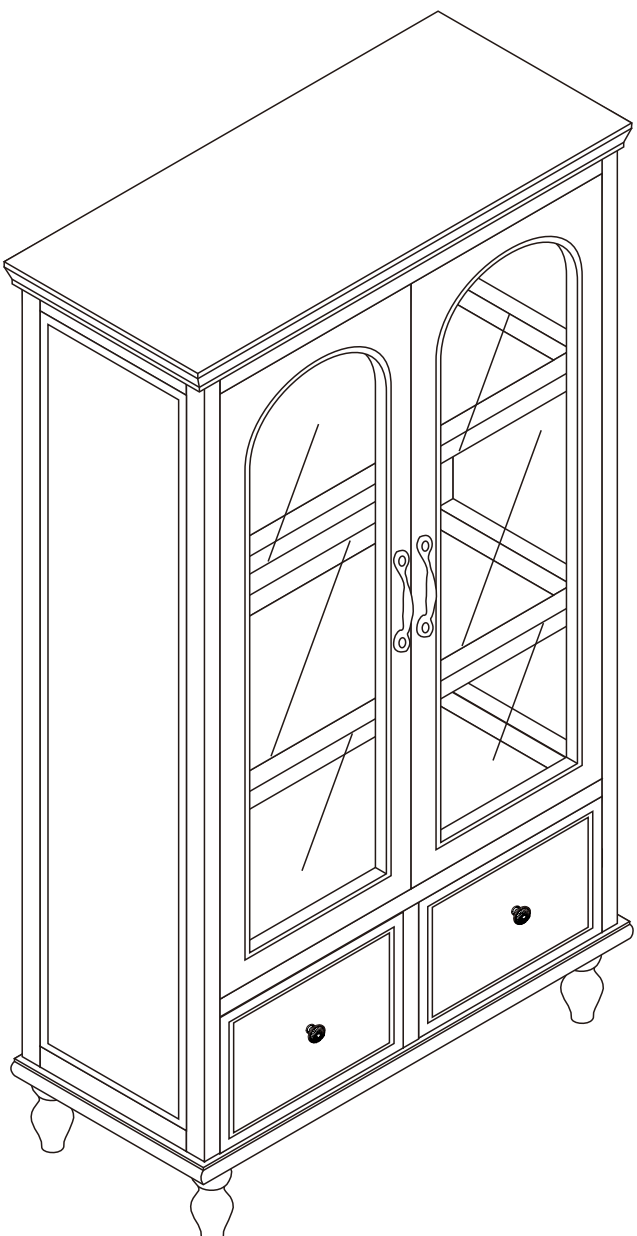
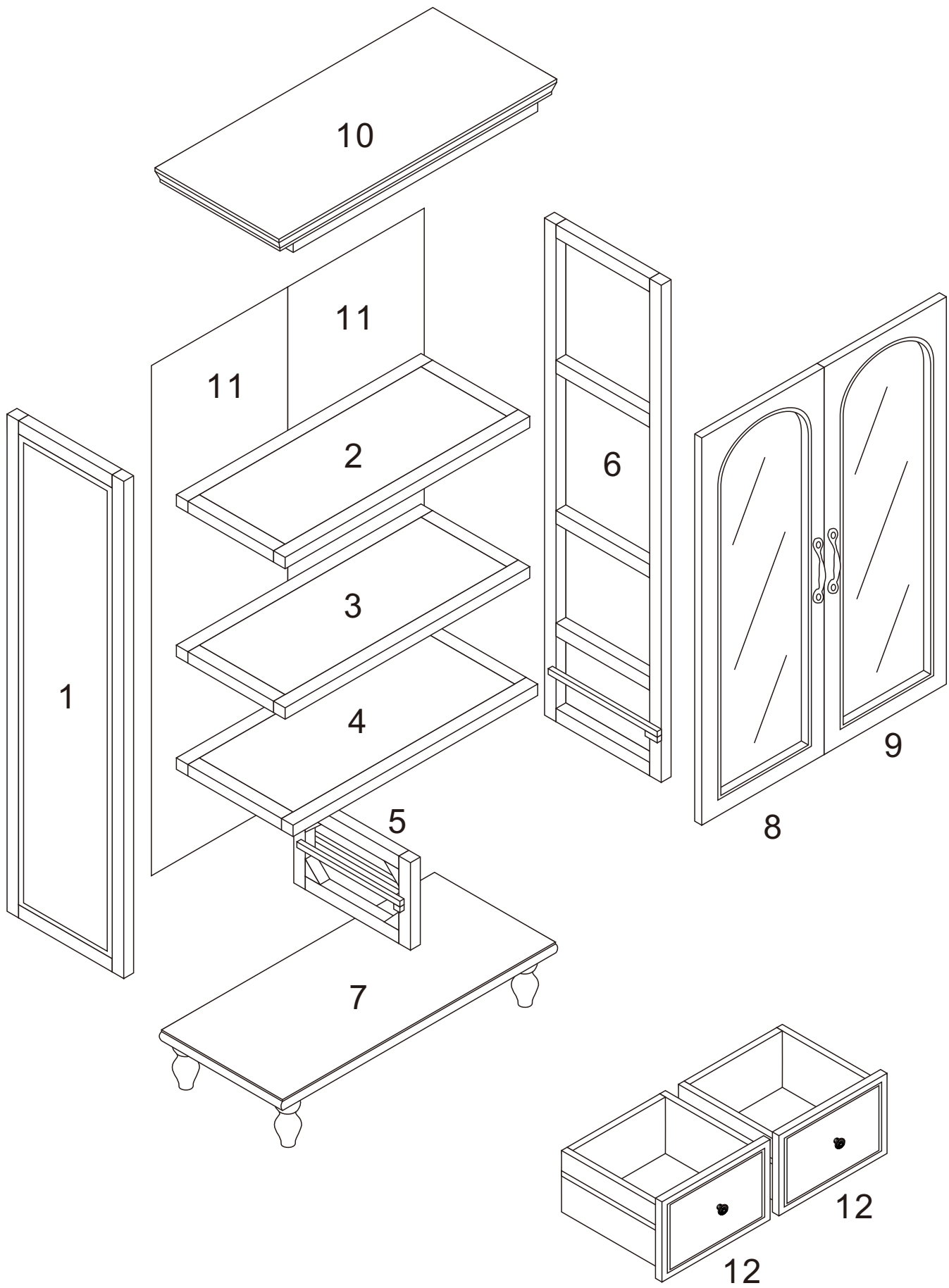


Installation Instruction






Instruction Manual

Please save this manual for future reference.

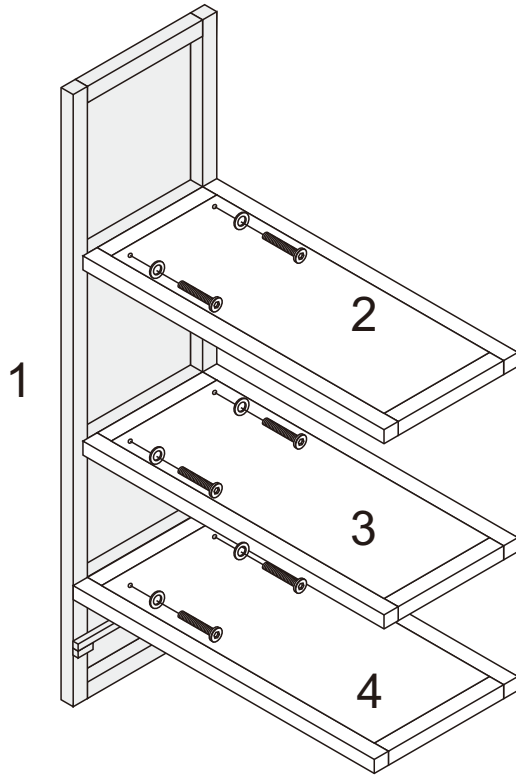
Thank you for purchasing this product. This product has been manufactured with the highest standards of safety and quality.


Product Name:	Wood Storage Cabinet 2 drawers 2 doors Glass White
SKU #:	W2295P475269-H0132

hardwares contents:

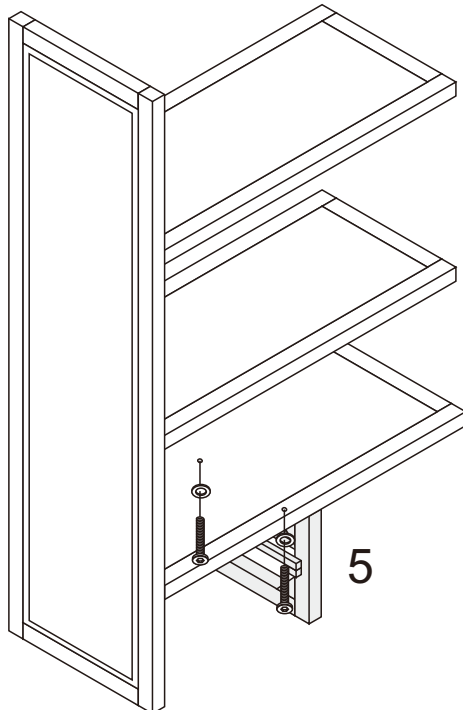
CONTENTS					
ID	DESCRIPTION	QTY	ID	DESCRIPTION	QTY
A	 8*35mm	16	B	 8*40mm	2
C	 8*30mm	2	D	 8*45mm	4
E	 2+4	2+4	F	 3.5*20mm	20
G	 3*20mm	24	H	 2+2	2+2
I	 2+4	2+4	J	 1	1
K	 1	1	L		


1



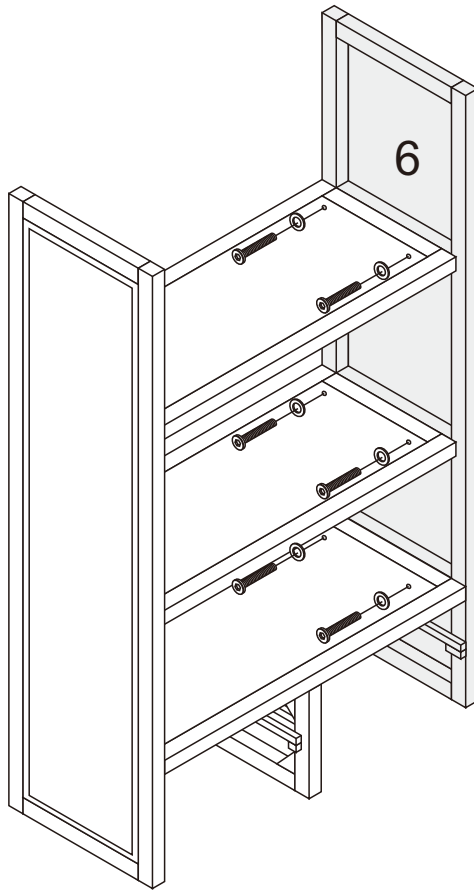
A	 8*35mm	6
---	--	---


2



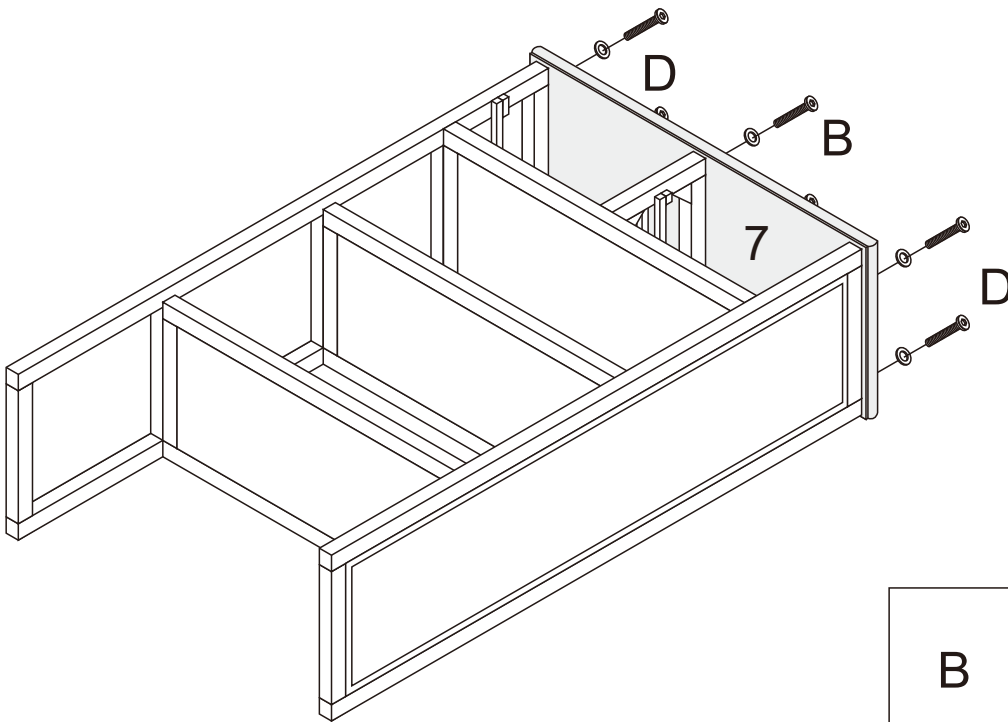
C	 8*30mm	2
---	---	---



3



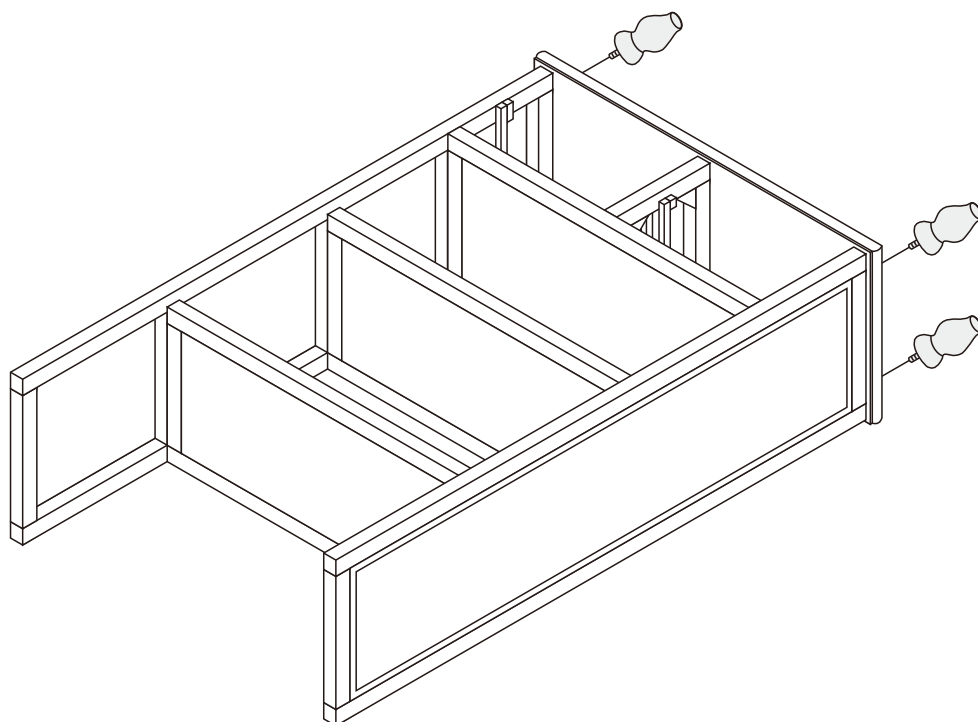
A	 8*35mm	6
---	--	---

4

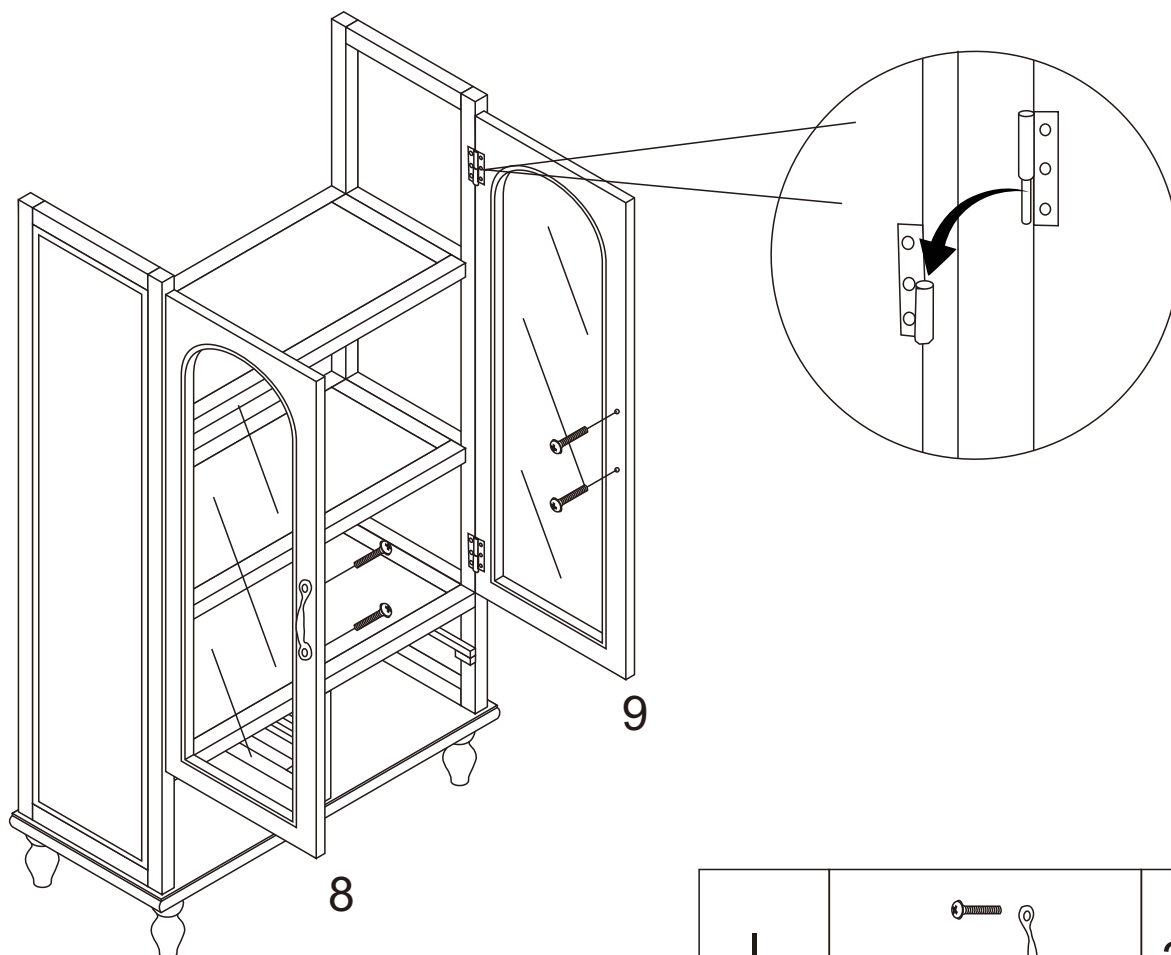


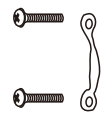
B	 8*40mm	2
D	 8*45mm	4

5

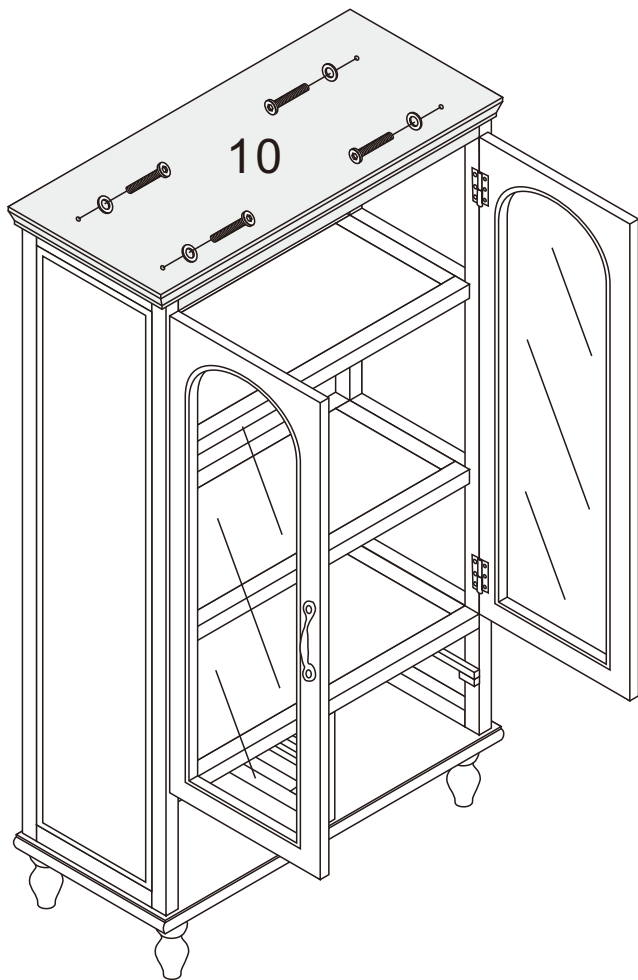



6



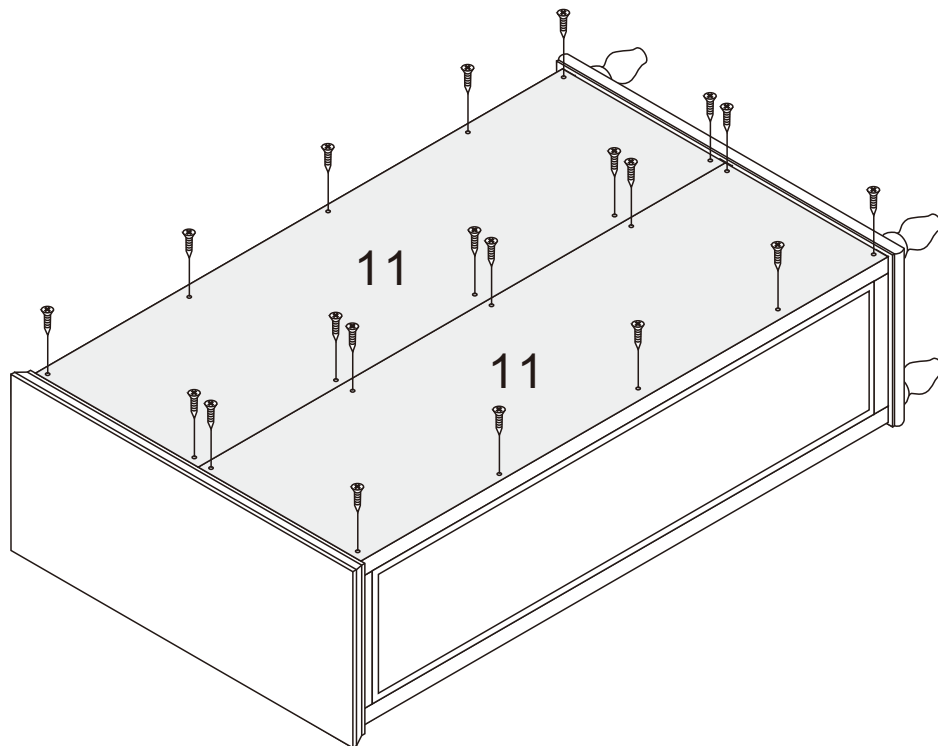
1		2+4
---	---	-----

7



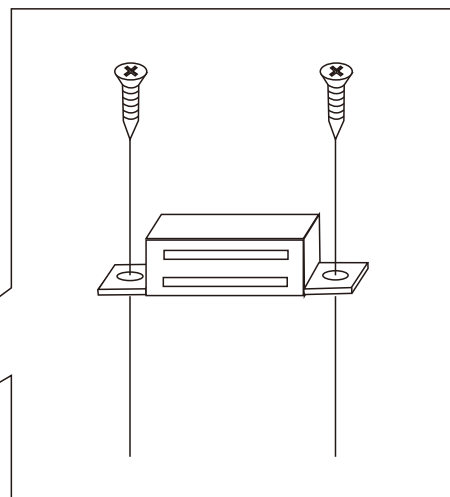
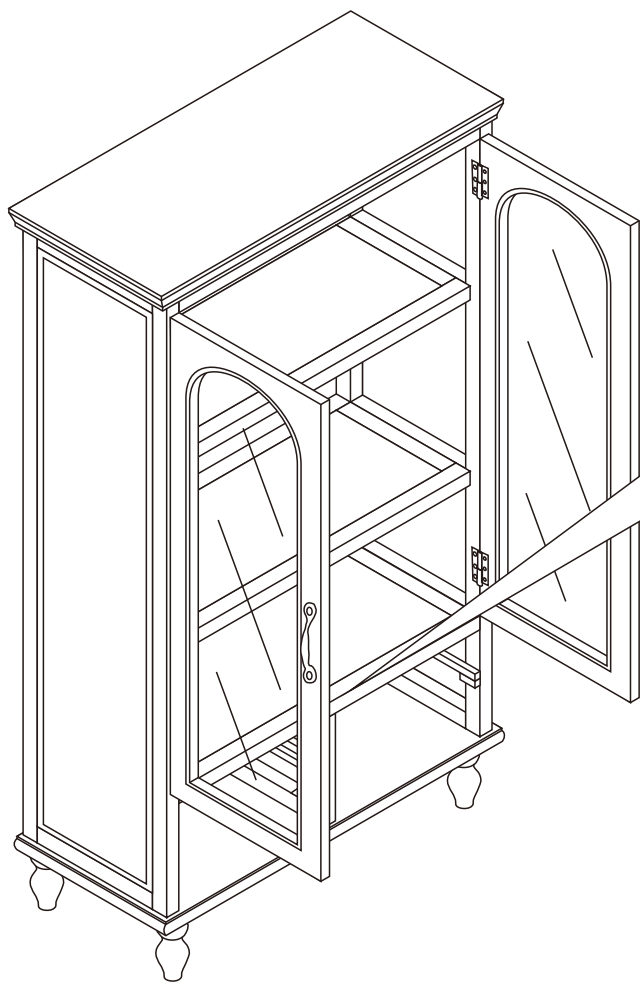
A	 8*35mm	4
---	--	---

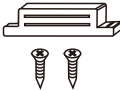
8



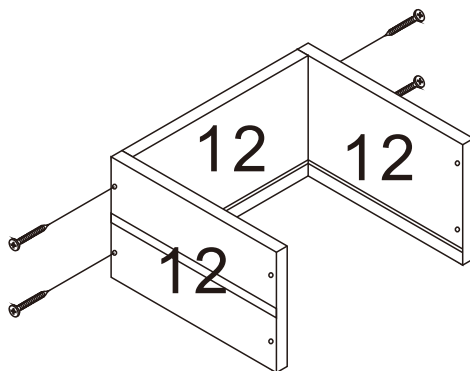
F	 3.5*20mm	20
---	---	----

9

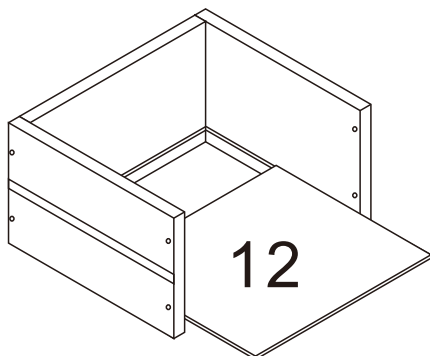
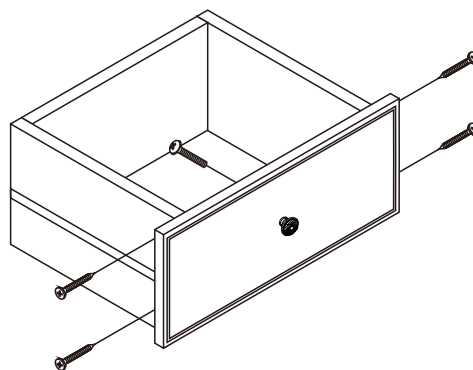



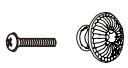
E		2+4
---	--	-----

10

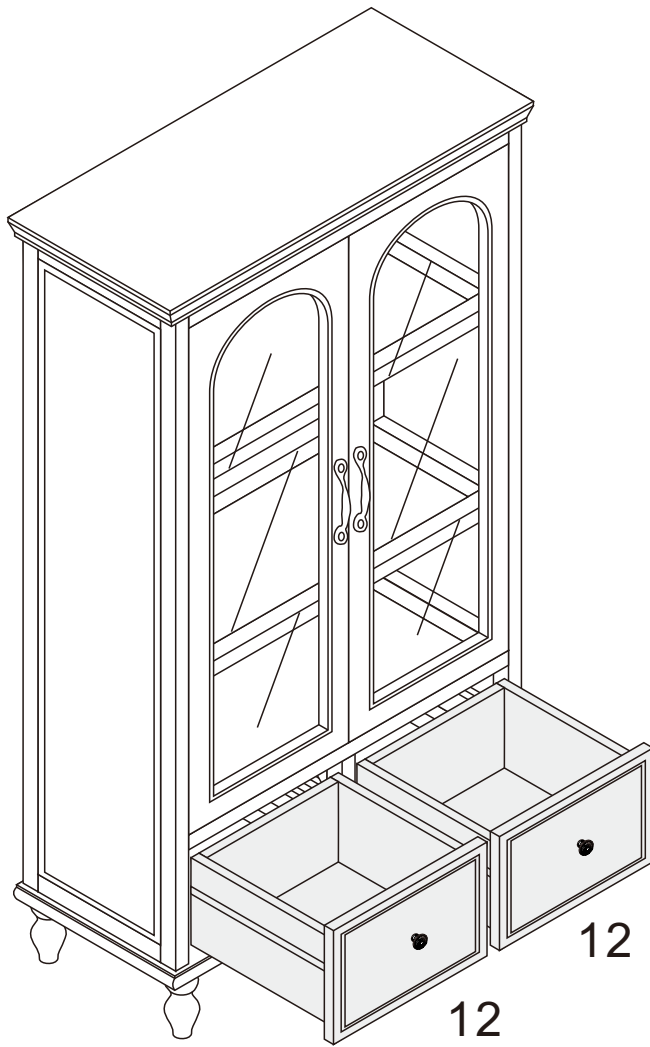


x2



G	 3*20mm	24
H		2+2

11



12

