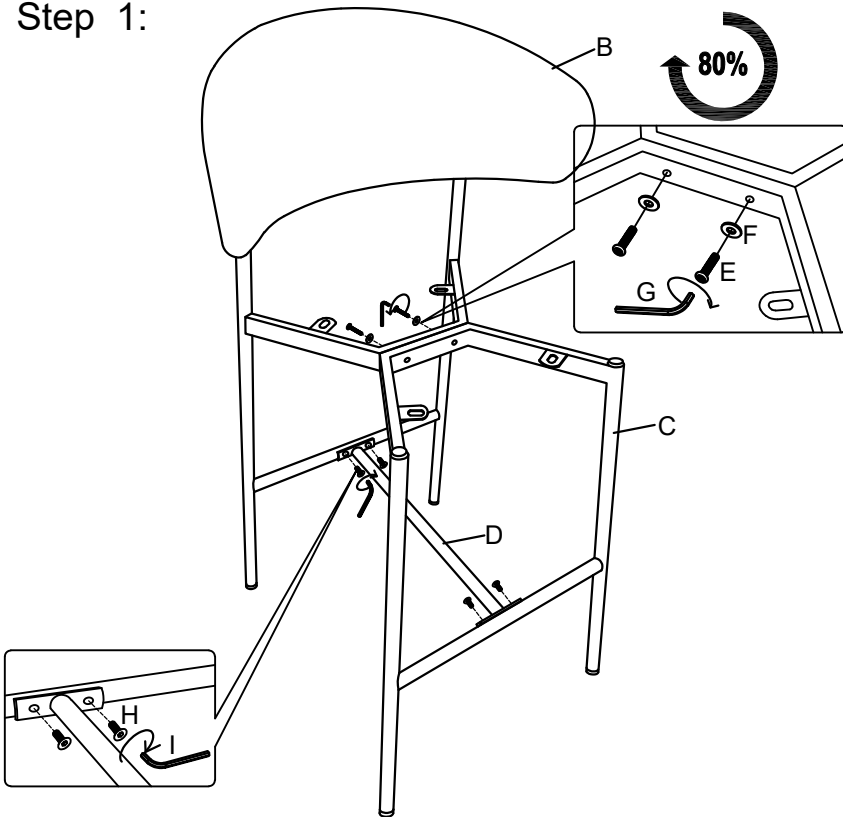


ASSEMBLY INSTRUCTION

Thank you for purchasing this Torelli product. Every effort has been taken to ensure your product arrives in the best condition and to your complete satisfaction. Before you begin to assemble your new furniture, please check to ensure that you have received all assembly fittings and hardware as indicated on this assembly instructions as parts may have become dislodged during delivery. Please follow the assembly instructions closely when proceeding to assemble your new product.

Step 1:



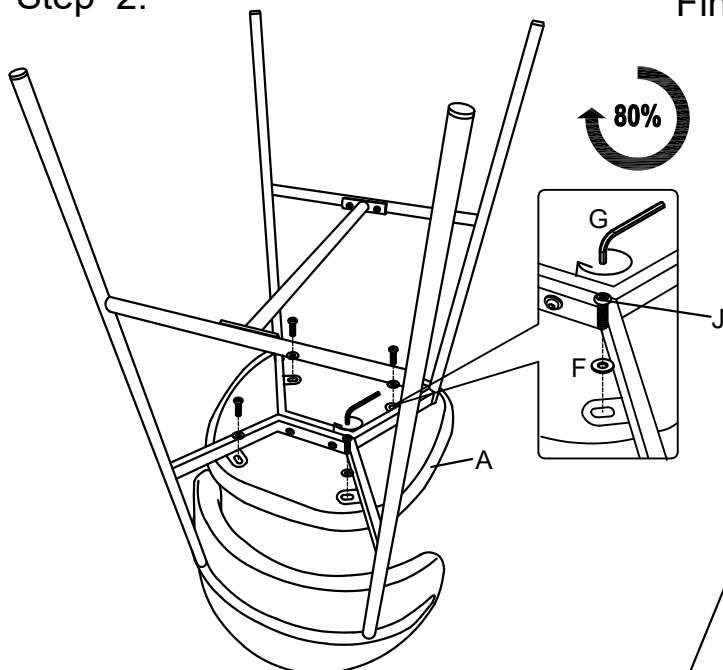
PART LIST:

NO.	Description	Sketch	Quantity
A	Table top		1pc
B	Leg		1pcs
C	Leg		1pcs
D	Leg		1pcs

HARDWARE LIST:

NO.	Description	Sketch	Size	Quantity
E	Bolt		M6*35/M5	2pcs
F	Washer		$\phi 17^* \phi 6^*1.5$	6pcs
G	Allen key		5mm	1pcs
H	Bolt		M6*12/M4	4pcs
I	Allen key		4mm	1pcs
J	Bolt		M6*35/M5	4pcs

Step 2:



Finished:

