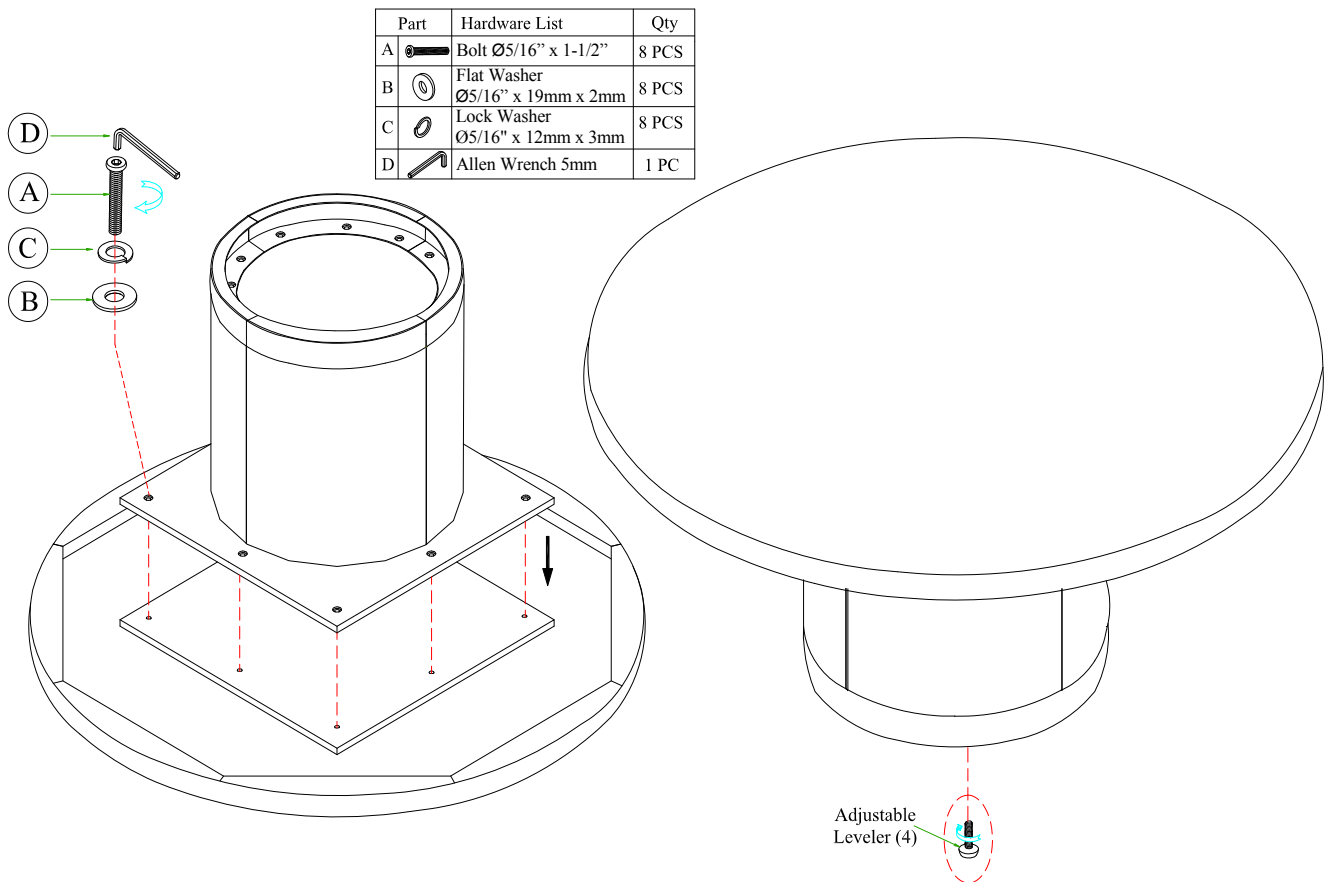




BARCLAY BUTERA.

CARMEL ASSEMBLY INSTRUCTIONS

931-875C Selfridge Round Dining Table



To Assemble Table:

1. Place table top upside-down on flat, clean, non-marring surface.
2. Position pedestal so that holes in pedestal bridgeplate align with holes in table top bridgeplate.
3. Use Allen Wrench (D) to attach pedestal to table top with (8) of each: Flat Washers (B), Lock Washers (C), and Bolts (A). Fully tighten all bolts.
4. Return assembled table to its upright position and place in desired location.

To Level Table: Insert levelers into holes on bottom of pedestal and twist until hand-tight. Once all levelers are attached to pedestal, slightly tilt table forward or backward as required to reach levelers. Rotate levelers clockwise to raise and counter-clockwise to lower.

LEXINGTON®
HOME BRANDS