

# Assembly Instructions

**Tips!** Check all the components & screws before assembly. Do not install in case part is missing, contact us to get.

Components							
1			2	8		377.5x273mm	1
2			2	9		400x180mm	1
3		400x300mm	1	10		240x117mm	1
4		400x285mm	1	11		240x117mm	1
5		285x265mm	1	12		323x117mm	1
6		285x265mm	1	13		323x234mm	1
7		369x269mm	1				

Screws&Tools							
A			12	F			2
B		∅7x50mm	4	G			2
C		M6x30mm	8	H		M4x20mm	1
D			8	I			1
E			1	J			4

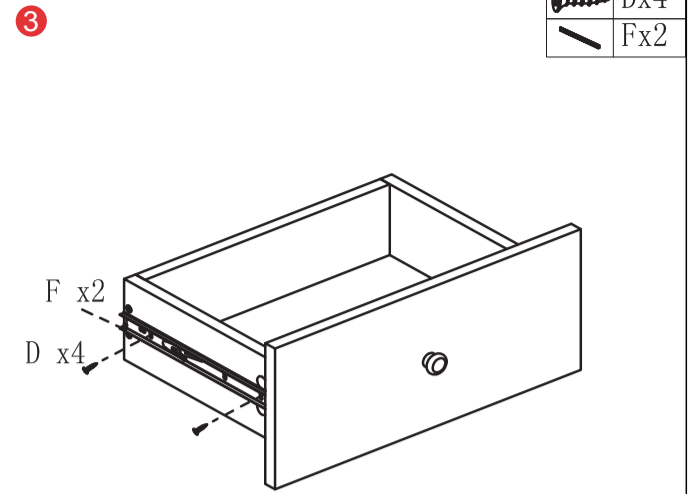
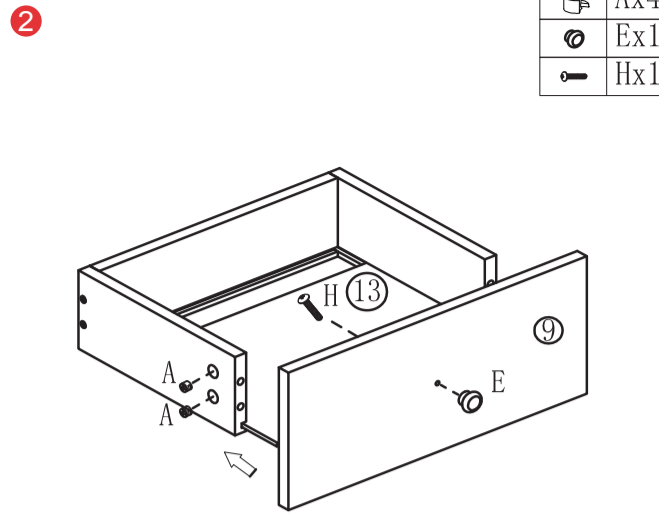
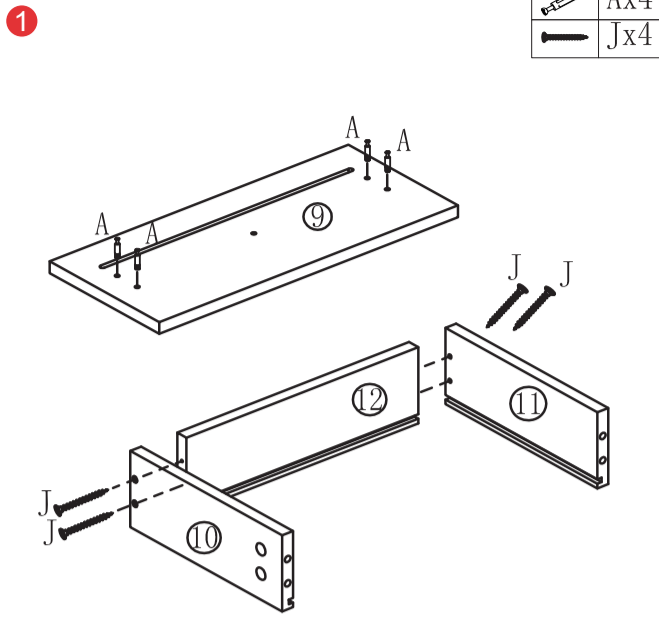
**"A" Hardware Assembly example**

**I**

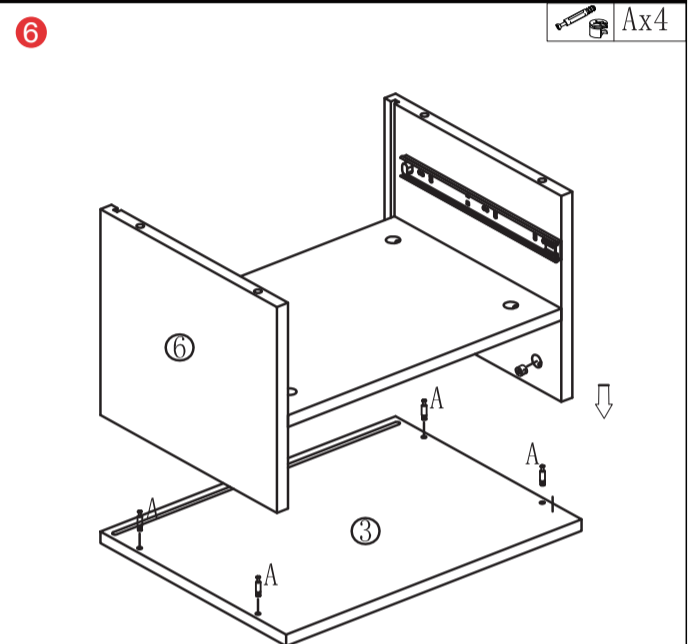
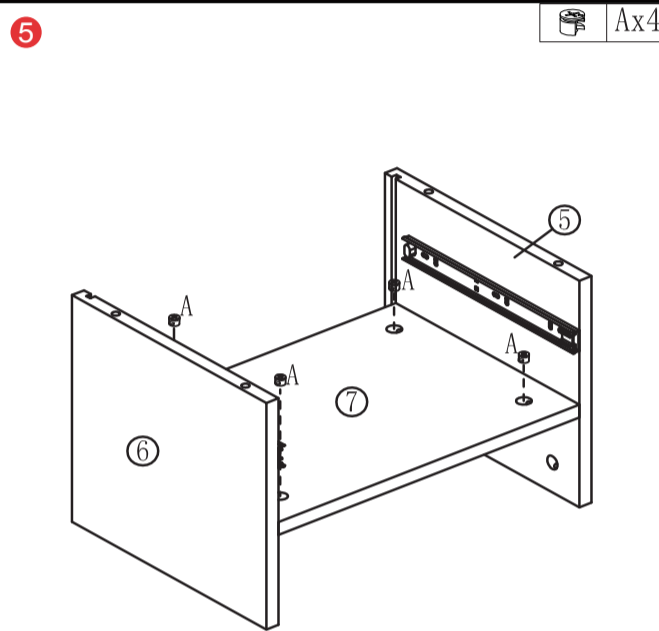
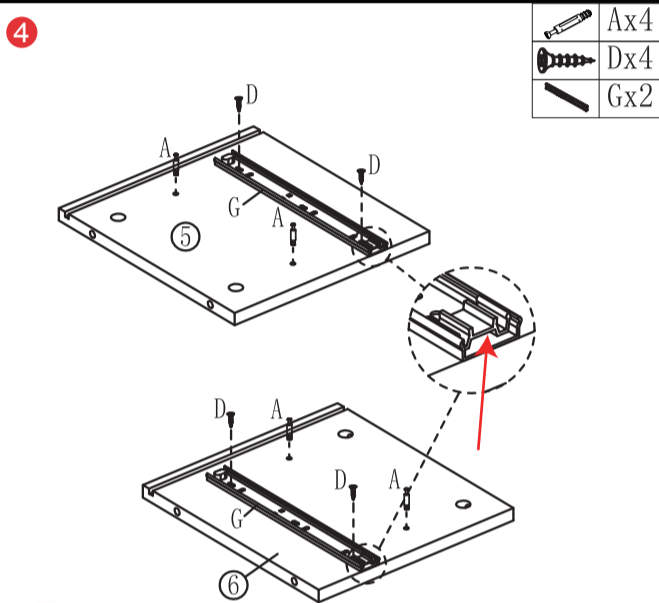
**II**

**III**

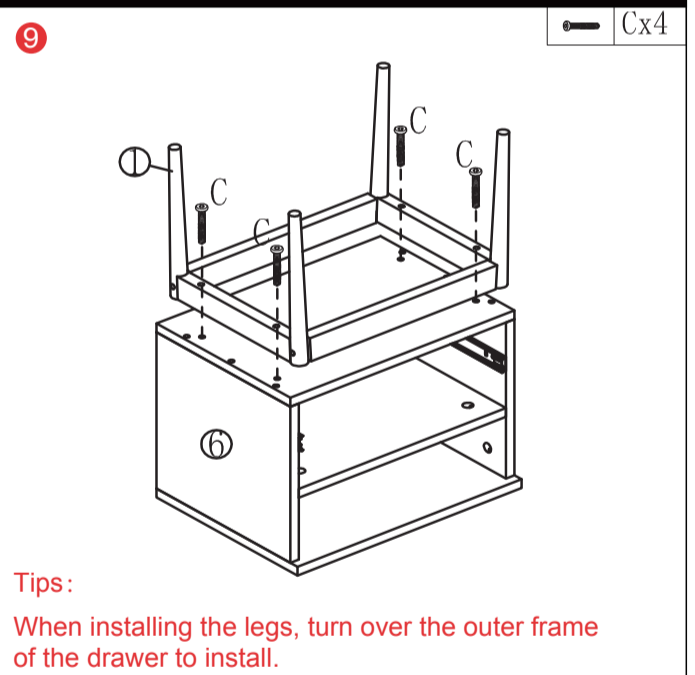
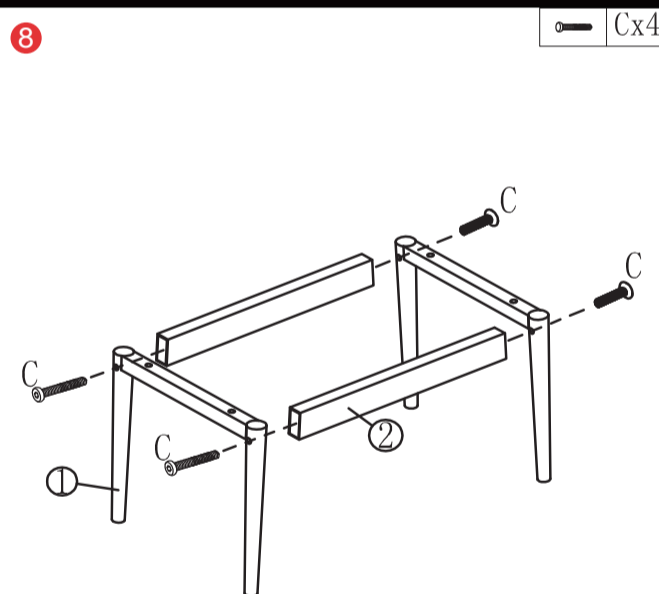
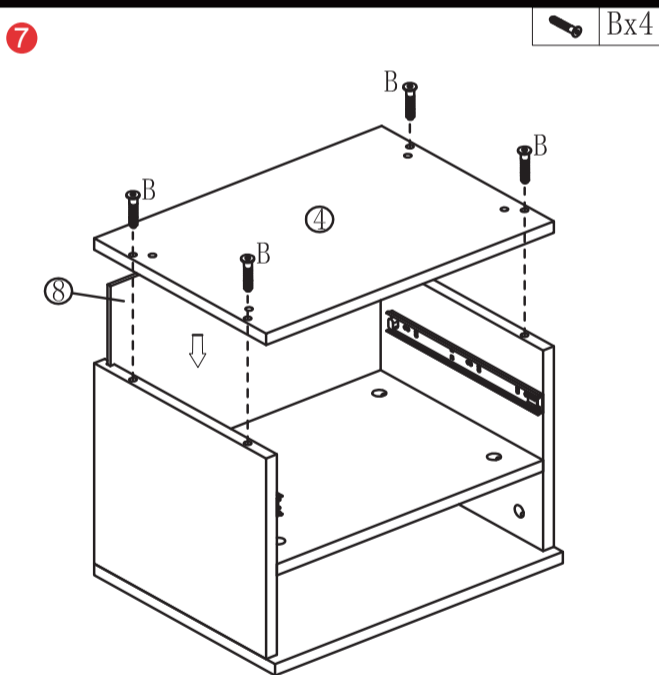
Step1:Drawer assembly



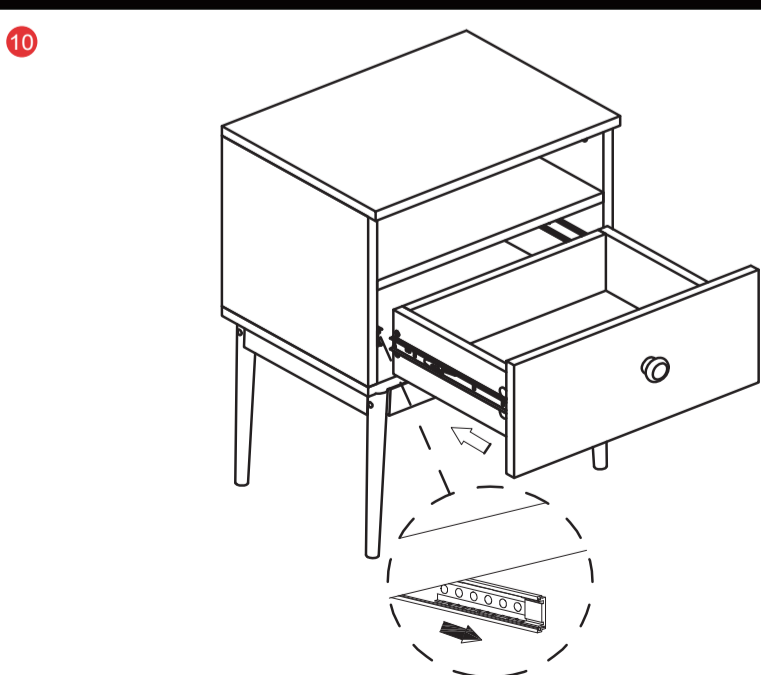
Step2:The outer frame of the drawer assembly



Step3:Connect legs to outer frame of the drawer



Step4:Drawer assembly



Step5:Check and tighten all screws

