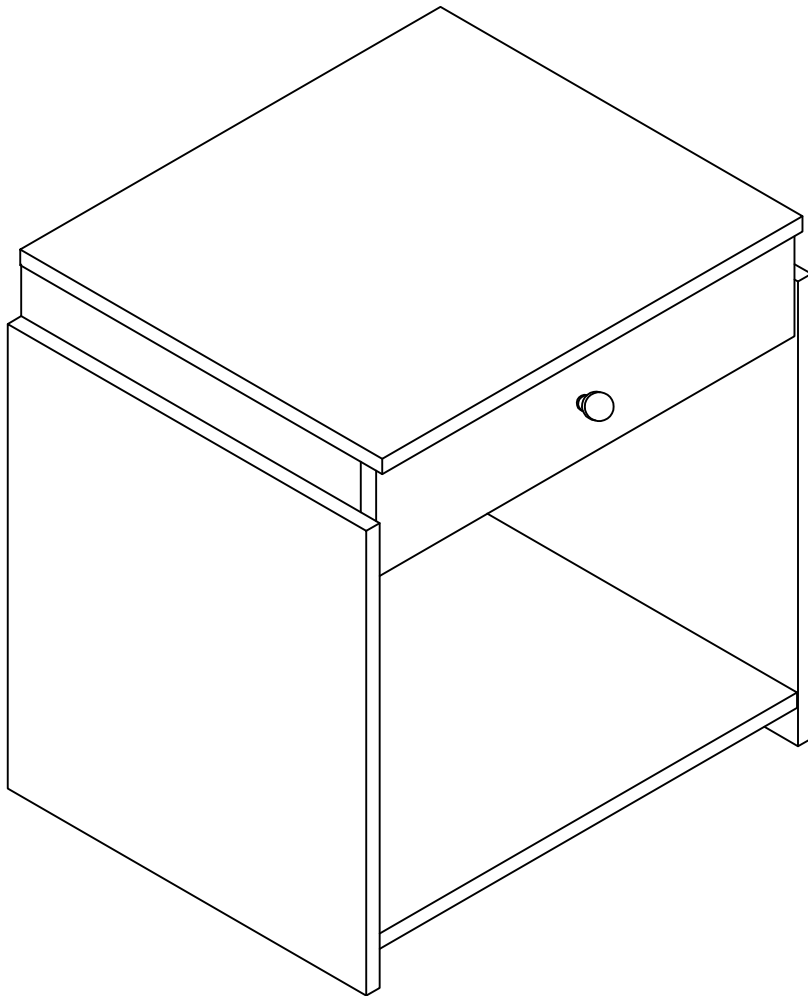


Night Stand
Assembly Instructions
Contains One Night Stand and Hardware



Night Stand
Contains One (1) Night Stand and Hardware

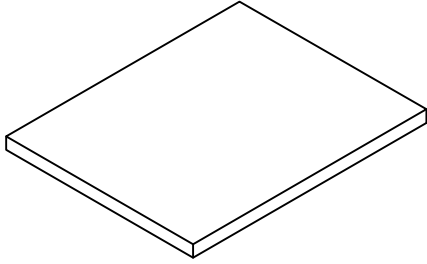
IMPORTANT NOTE:

Carefully remove all the parts from the box. Arrange on a flat surface and verify you have all of the following parts and hardware.
For customer support please call 314-993-2693.

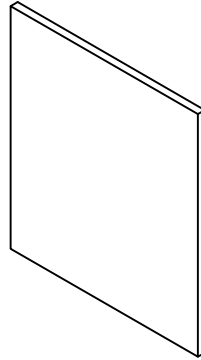
TOOLS REQUIRED:
-Phillips Screwdriver
-Hammer

PARTS LIST

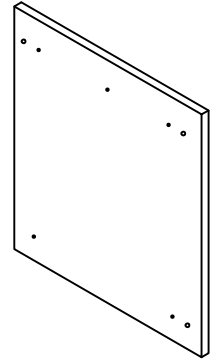
1.Top Panel (1 PC)



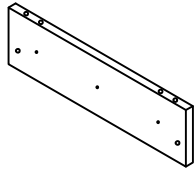
2.Left Side Panel (1 PC)



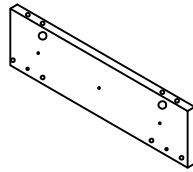
3.Right Side Panel (1 PC)



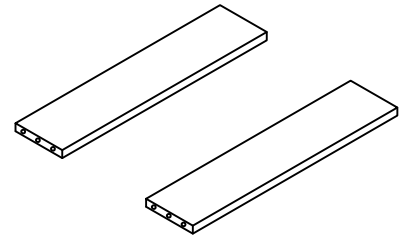
4.Left Inner Panel (1 PC)



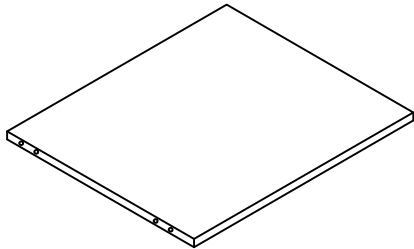
5.Right Inner Panel (1 PC)



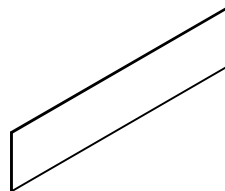
6.Support Panel (2 PCS)



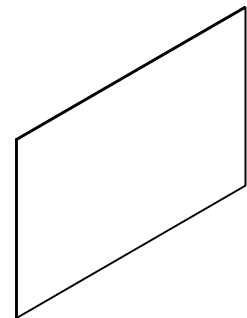
7.Bottom Panel (1 PC)



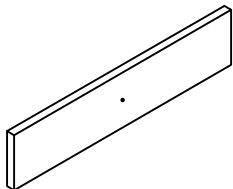
8.Small Back Panel (1 PC)



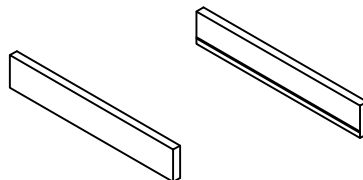
9.Back Panel (1 PC)



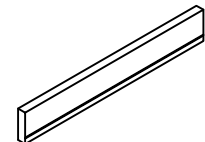
10.Drawer Front Panel (1 PC)



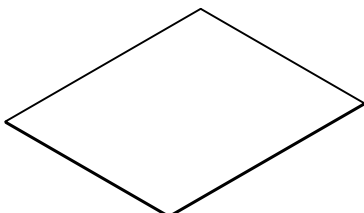
11.Drawer Side Panel (2 PCS)



12.Drawer Back Panel (1 PC)

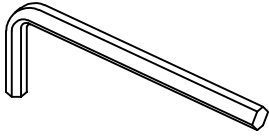


13.Drawer Bottom Panel (1 PC)

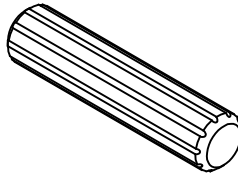


HARDWARE LIST

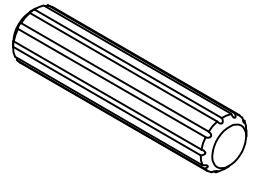
A.Allen Key (1 PC)



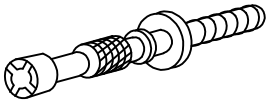
B.Plastic Dowel (16 PCS)



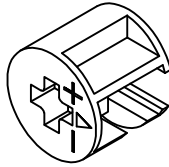
C.Wood Dowel (4 PCS)



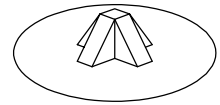
D.Minifix Bolt (12 PCS)



E.Minifix House (12 PCS)



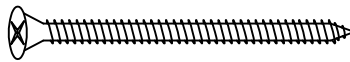
F.Minifix Cap (12 PCS)



G.Screw 16mm (12 PCS)



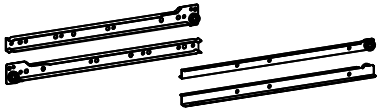
H.Screw 50mm (8 PCS)



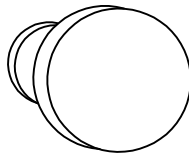
I.Screw 28mm (6 PCS)



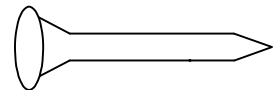
J.Drawer Slider (1 SET)



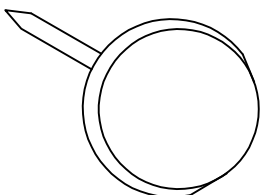
K.Handle (1 PC)



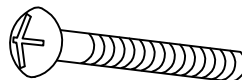
L.Nail (30 PCS)



M.White Nail (4 PCS)



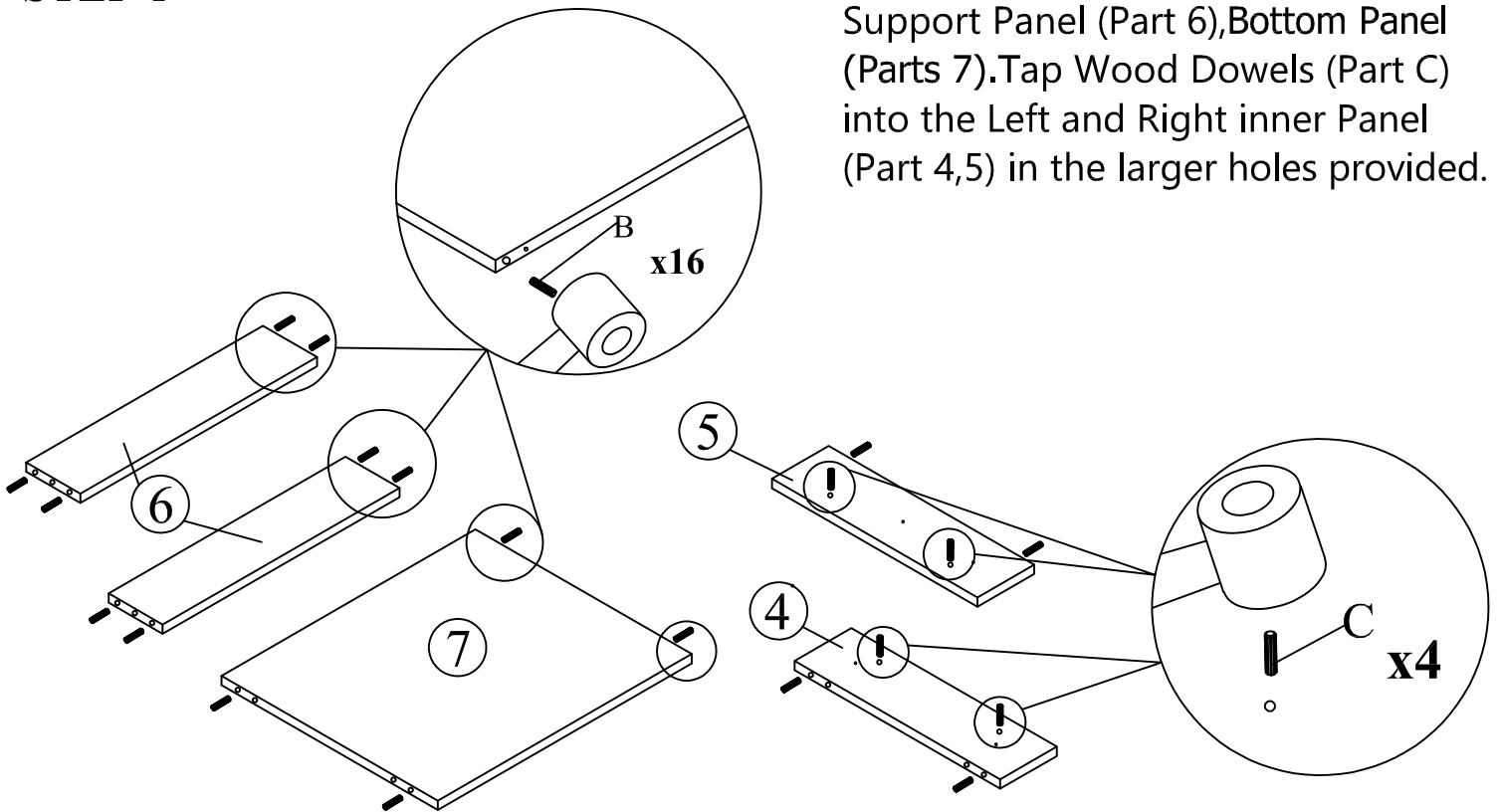
N.Handle Screw 40mm (1 PC)



ASSEMBLY INSTRUCTIONS

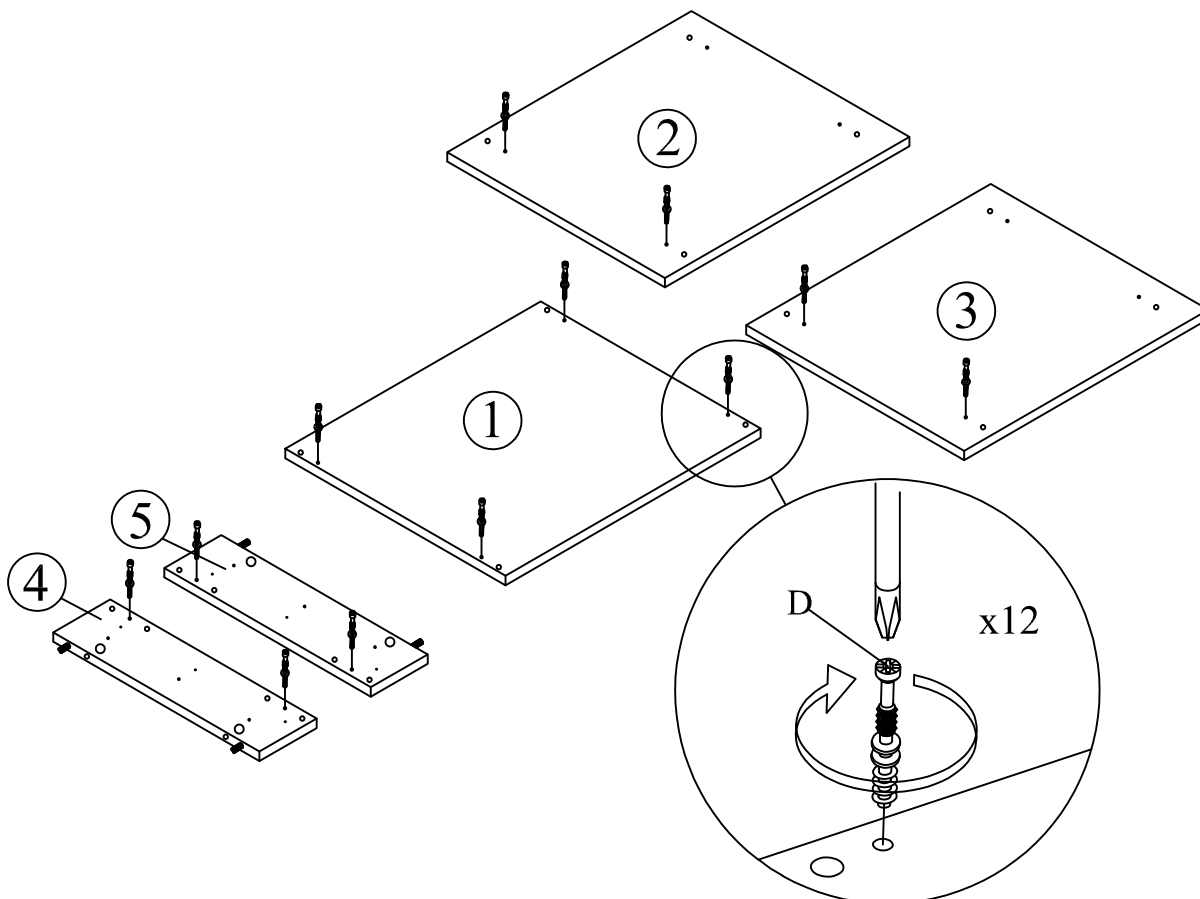
STEP 1

Tap Plastic Dowels (Part B) into the Support Panel (Part 6), Bottom Panel (Parts 7). Tap Wood Dowels (Part C) into the Left and Right inner Panel (Part 4,5) in the larger holes provided.



STEP 2

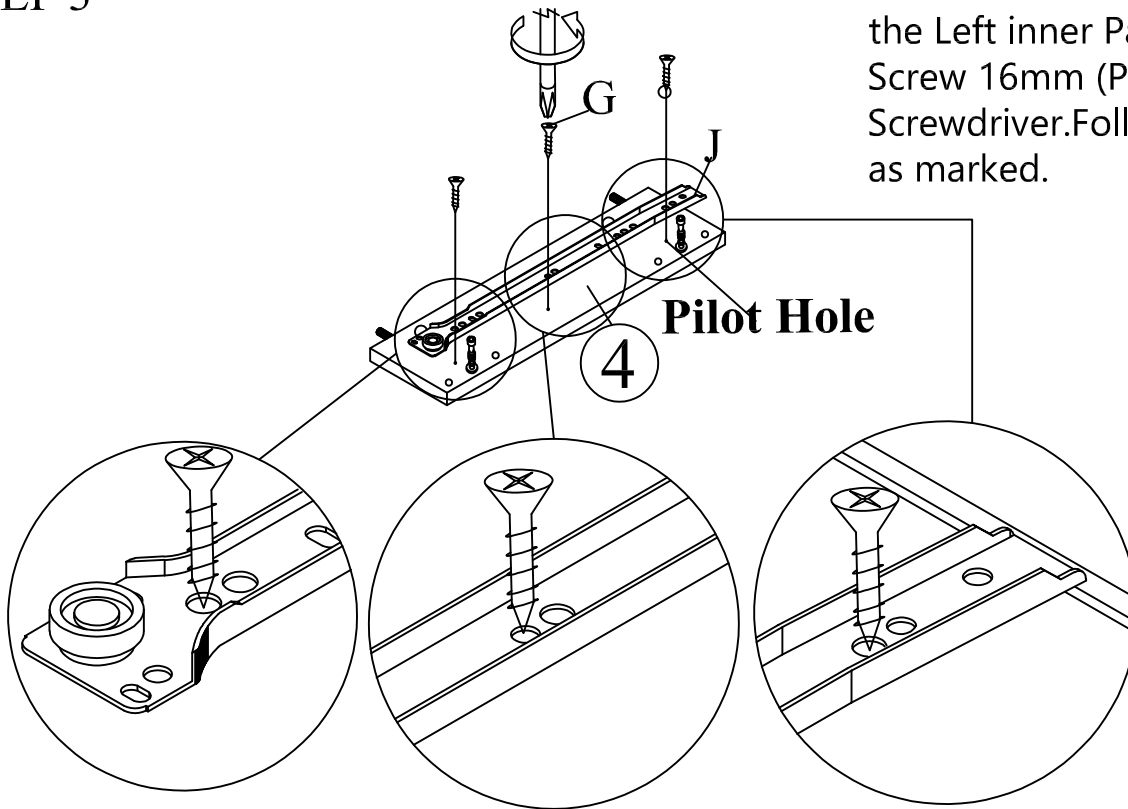
Using a Phillips Head Screwdriver, attach Minifix Bolts (Part D) to the Panels (Parts 1,2,3,4 and 5).



ASSEMBLY INSTRUCTIONS

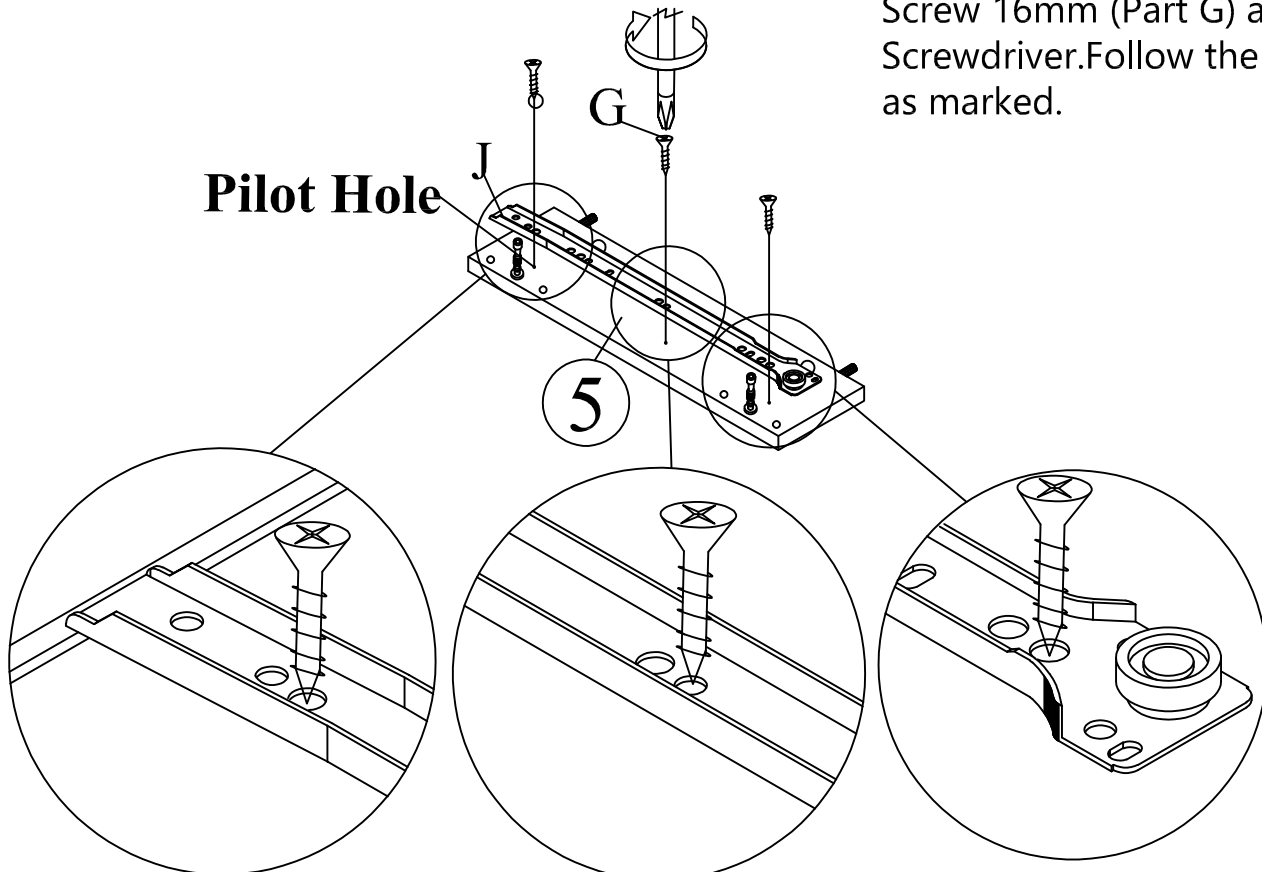
STEP 3

Attach the Drawer Slider (Part J) to the Left inner Panel (Part 4) using Screw 16mm (Part G) and Phillip's Screwdriver. Follow the Pilot Holes as marked.



STEP 4

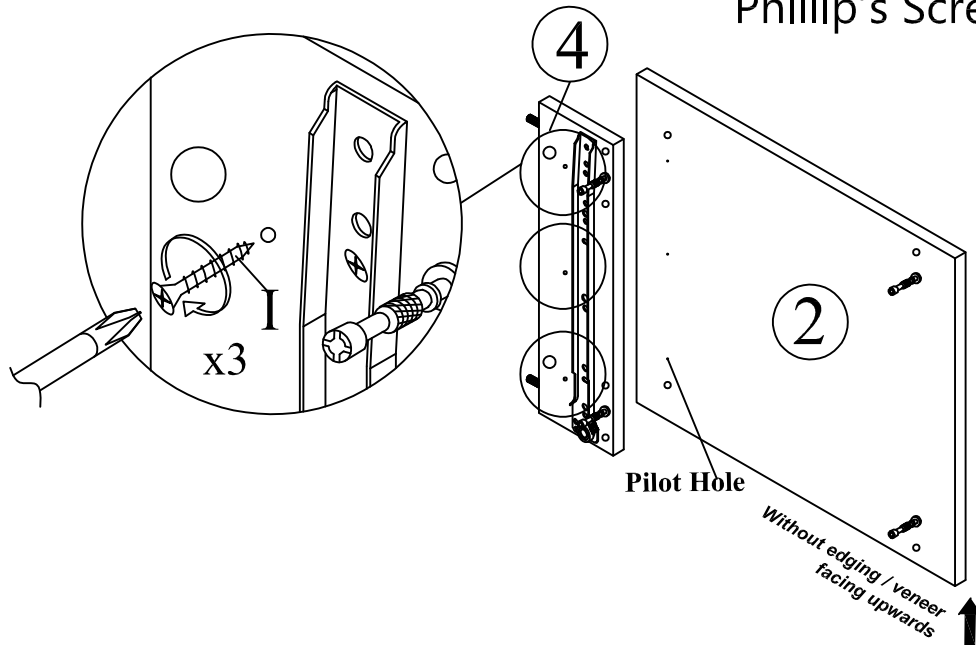
Attach the Drawer Slider (Part J) to the Right inner Panel (Part 5) using Screw 16mm (Part G) and Phillip's Screwdriver. Follow the Pilot Holes as marked.



ASSEMBLY INSTRUCTIONS

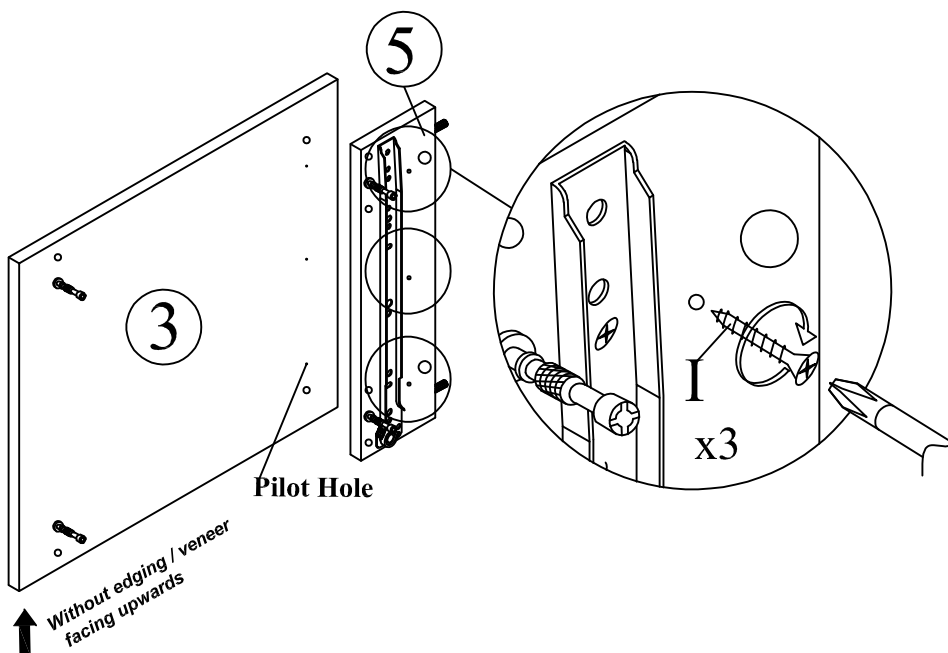
STEP 5

Attach Left inner panel (part 4) to Left side panel (Part 2) using screw 28mm (part I) and Phillip's Screwdriver as shown.



STEP 6


Attach Right inner Panel (part 5) to the Right Side Panel (Part 3) using Screw 28mm (Part I) and a Phillip's Screwdriver as shown.



ASSEMBLY INSTRUCTIONS

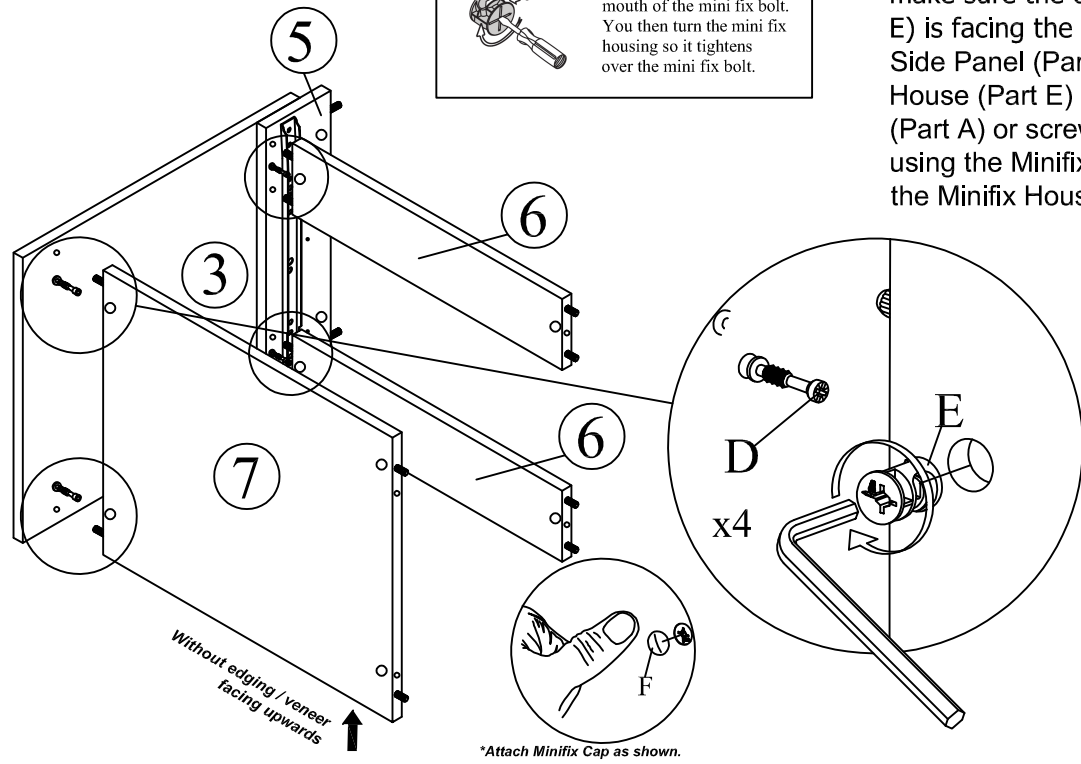
STEP 7

This is how a mini fix works...




The head of the mini fix housing goes into the open mouth of the mini fix bolt. You then turn the mini fix housing so it tightens over the mini fix bolt.

Insert the Minifix House (Part E) to the Bottom Panel (Part 7) and Support Panel (Part 6) and make sure the open side of the Minifix House (Part E) is facing the opening on panels. Attach the Right Side Panel (Part 3) as shown. Turn the Minifix House (Part E) to tighten using the Allen Key (Part A) or screwdriver. Cover the Minifix House using the Minifix Cap (Part F) by pressing it into the Minifix House.



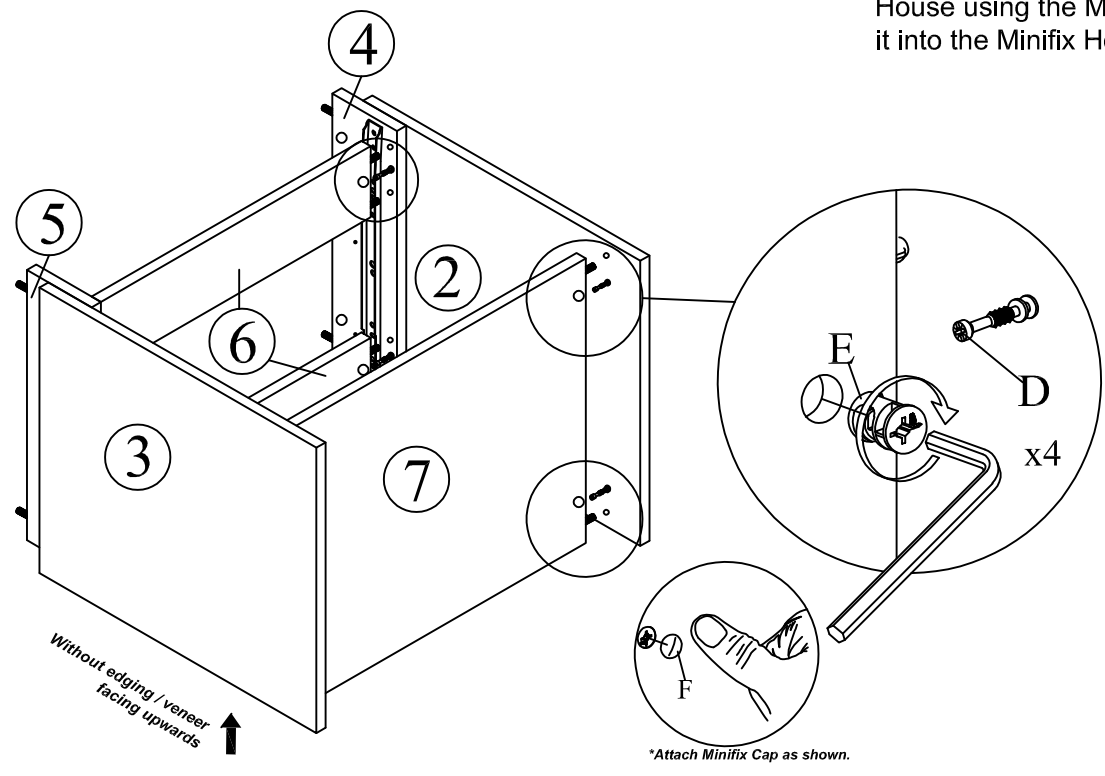
STEP 8

This is how a mini fix works...



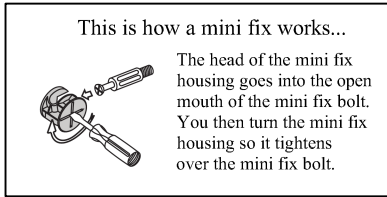
The head of the mini fix housing goes into the open mouth of the mini fix bolt. You then turn the mini fix housing so it tightens over the mini fix bolt.

Insert the Minifix House (Part E) to the Bottom Panel (Part 7) and Support Panel (Part 6) and make sure the open side of the Minifix House (Part E) is facing the opening on panels. Attach the Left Side Panel (Part 2) as shown. Turn the Minifix House (Part E) to tighten using the Allen Key (Part A) or screwdriver. Cover the Minifix House using the Minifix Cap (Part F) by pressing it into the Minifix House.

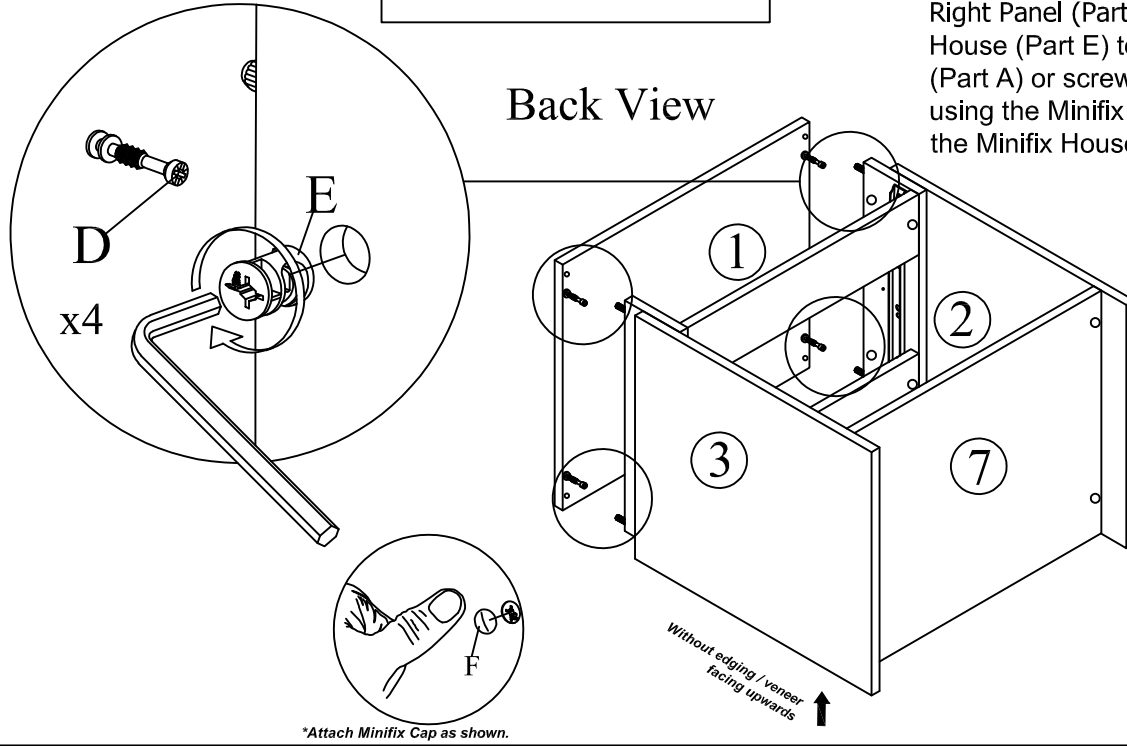


ASSEMBLY INSTRUCTIONS

STEP 9

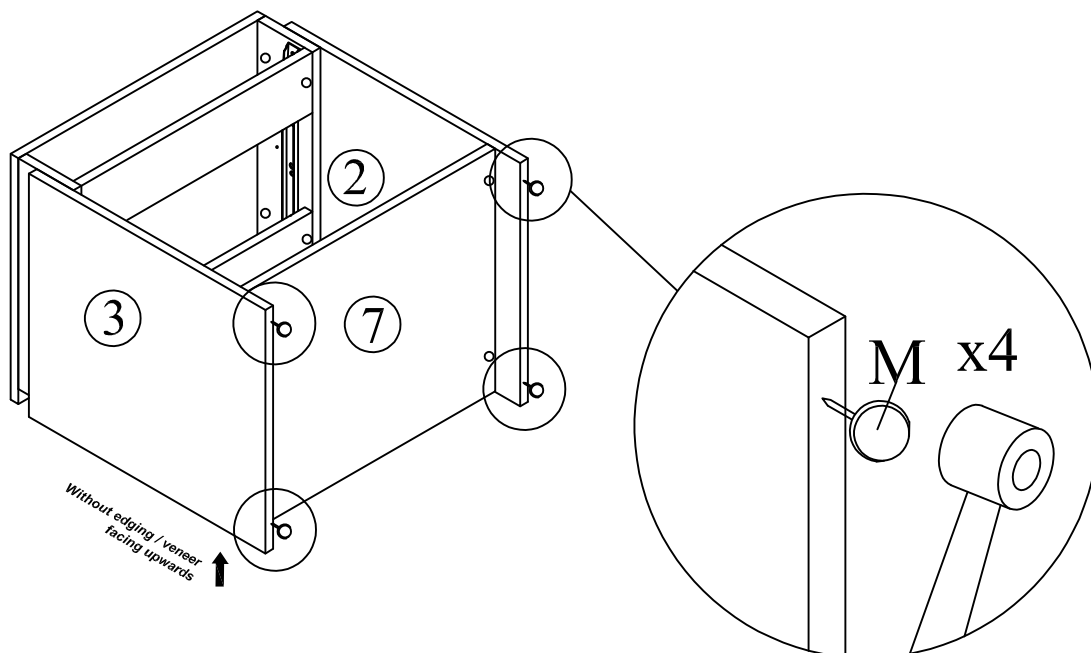


Insert the Minifix House (Part E) to the Left and Right Panel (Part 2,3) and make sure the open side of the Minifix House (Part E) is facing the opening on the Left and Right Panel (Part 2,3). Attach the Top Panel (Part 1) to the Left and Right Panel (Part 2,3) as shown. Turn the Minifix House (Part E) to tighten using the Allen Key (Part A) or screwdriver. Cover the Minifix House using the Minifix Cap (Part F) by pressing it into the Minifix House.



STEP 10

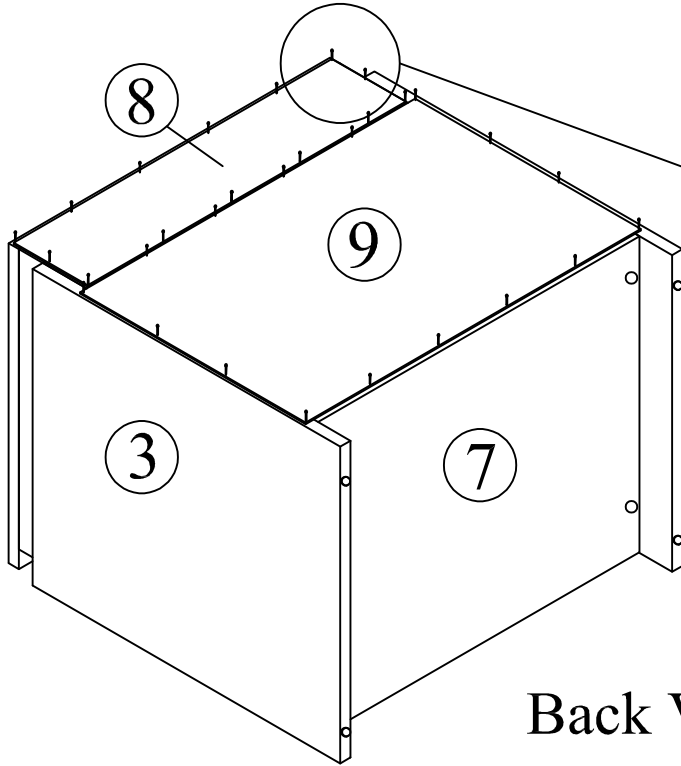
Attached White Nail (Part M) to Panel (2,3) using a mallet. Gently tap the white nail securely.



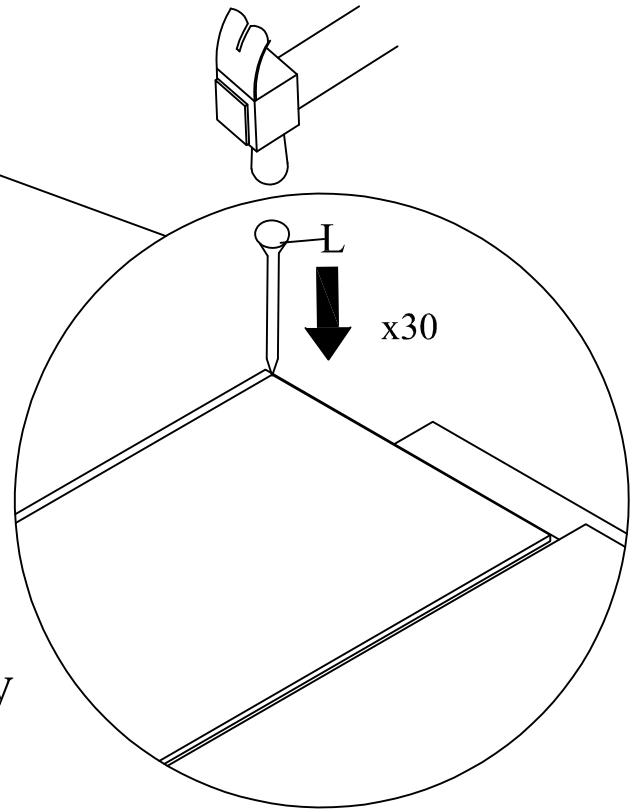
ASSEMBLY INSTRUCTIONS

STEP 11

Attach Nail (Part L) to each corner of the Back Panel (Part 8,9) using hammer as shown.

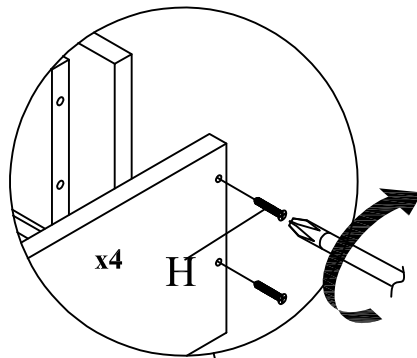


Back View

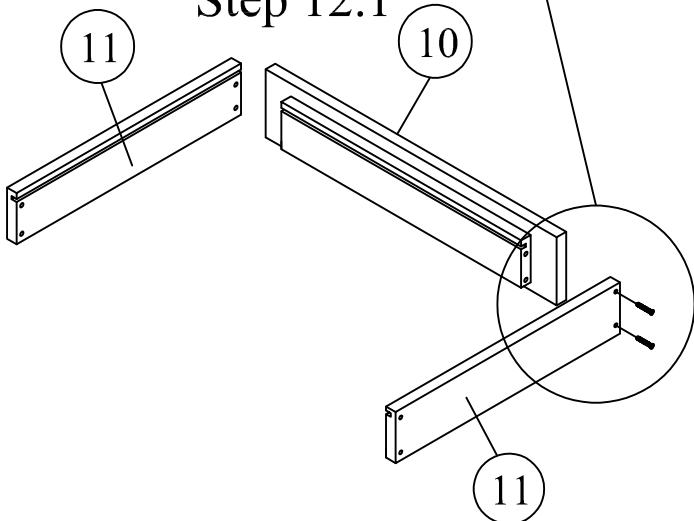


STEP 12

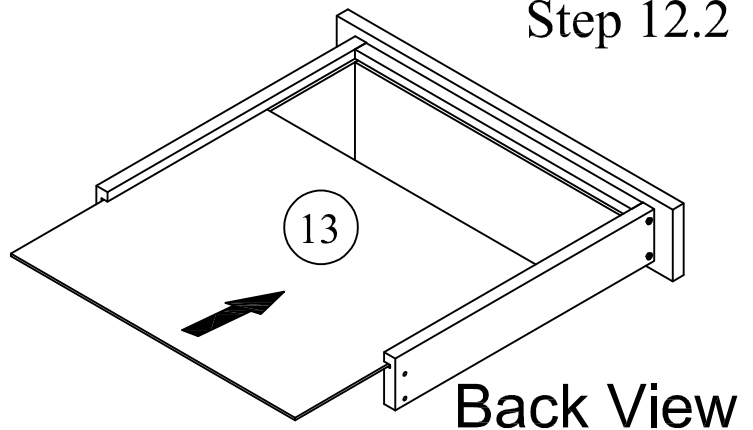
Attach the Drawer Side Panels (Part 11) to the Drawer Front Panel (Part 10) using Screw 50mm (Part H). Insert the Drawer Bottom Panel (Part 13) as shown.



Step 12.1



Step 12.2

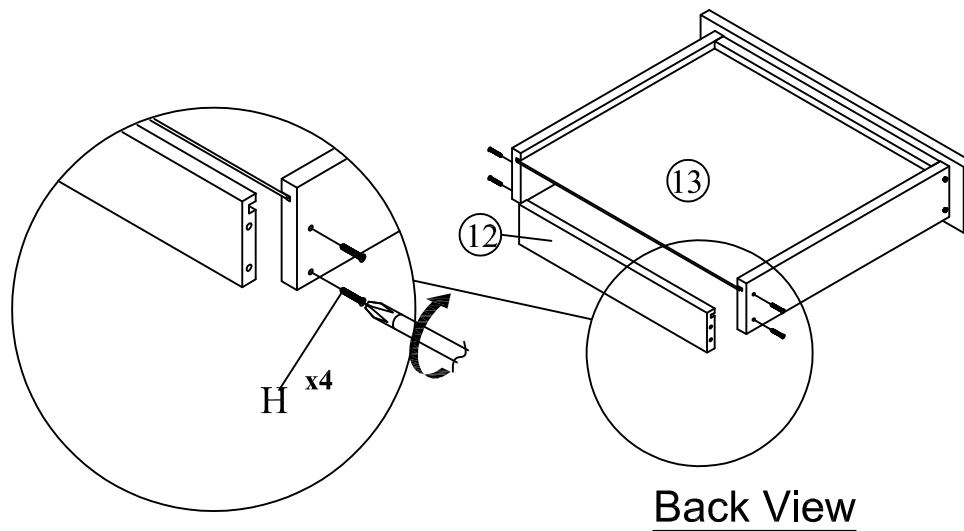


Back View

ASSEMBLY INSTRUCTIONS

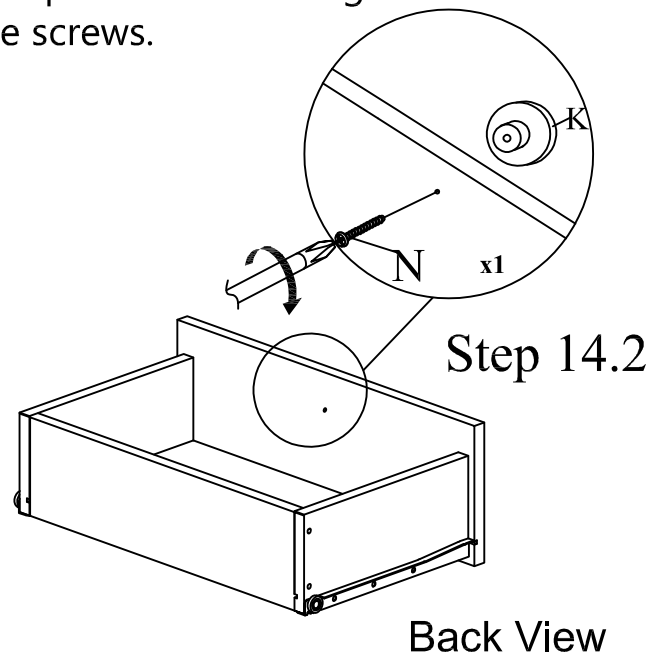
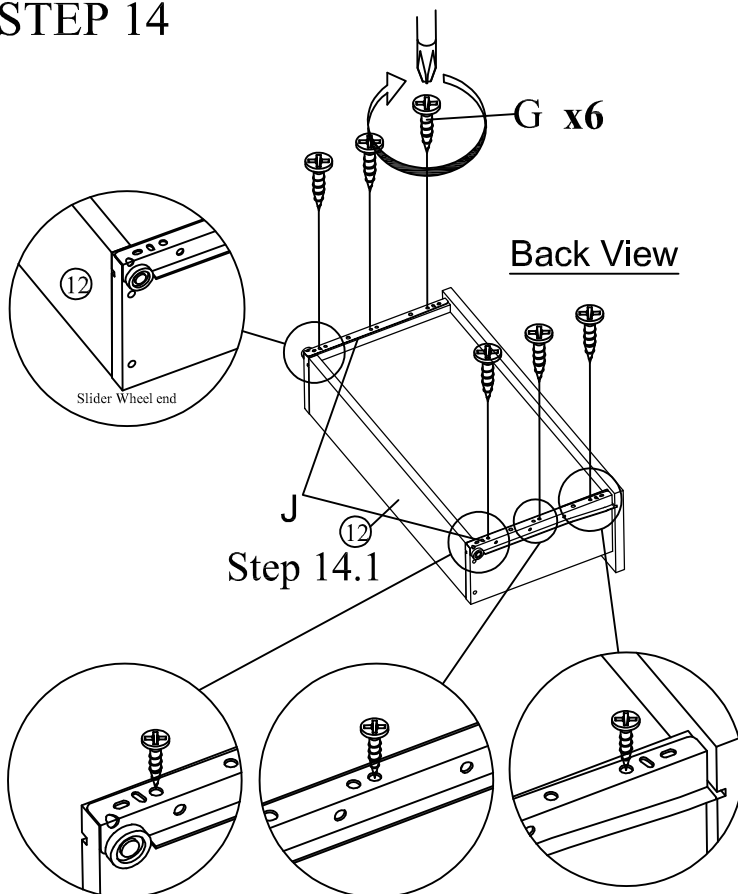
STEP 13

Attach Drawer Back Panel (Part 12) using the Screw 50mm (Part H). Tighten with Phillip's Screwdriver as shown.



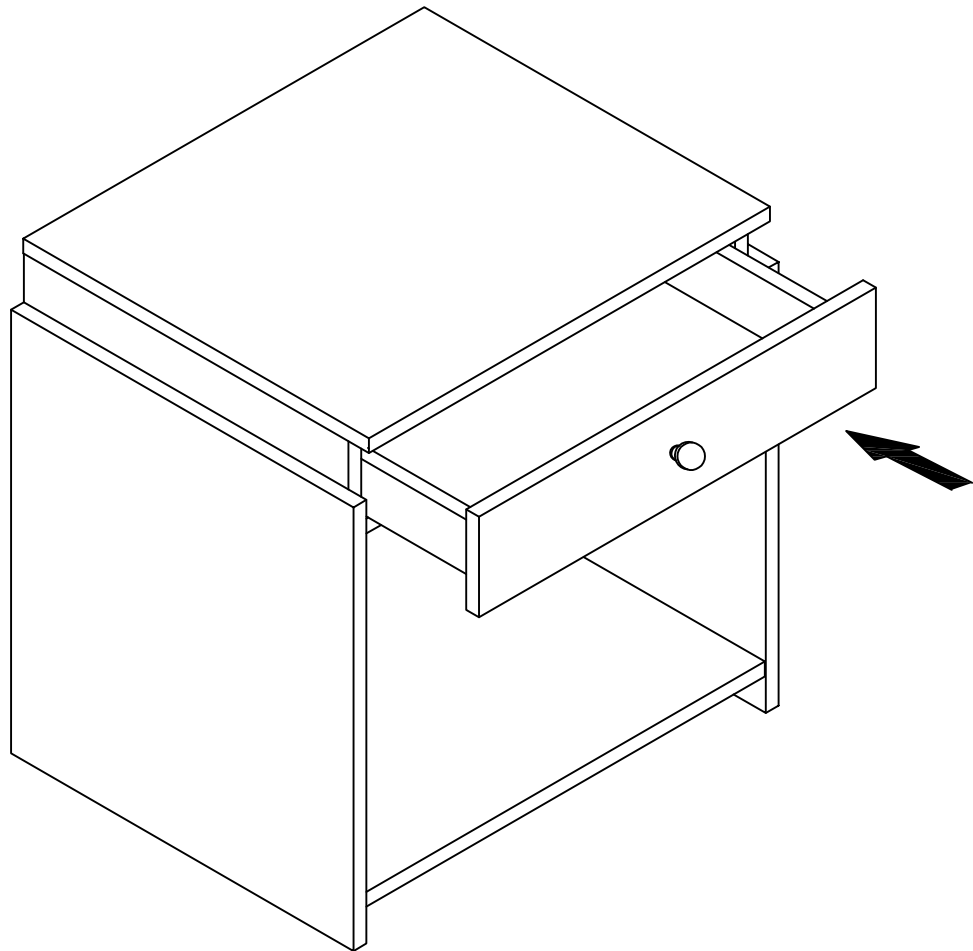
STEP 14

Attach Drawer Slider (Part J) to the Drawer Side Panels (Part 11) using Screw 16mm (Part G) and a Phillip's screwdriver. Attach the Handle (Part K) to the Drawer Front Panel (Part 10) using Handle Screw 40mm (Part N) and a Phillips screwdriver. Tighten the screws.



ASSEMBLY INSTRUCTIONS

Insert the drawer into the nightstand



ASSEMBLY INSTRUCTIONS

YOUR NIGHTSTAND IS NOW READY FOR USE

