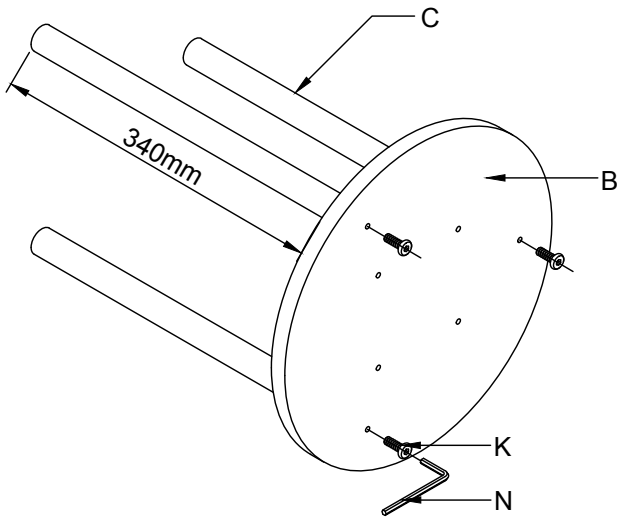


Ax1 φ700mm	Bx1 Use together with part C	Cx3 25x340mm	Dx1 Use together with part C	Ex1
Fx1 φ400mm	Gx1 Use together with part H	Hx3 25x440mm	Ix1 Use together with part H	Jx1
Kx12 8x25mm	Lx8 6x35mm	Mx12	Nx1	
SPARE(Ersatzteile)				
Kx1 8x25mm	Lx1 6x35mm	Mx1		

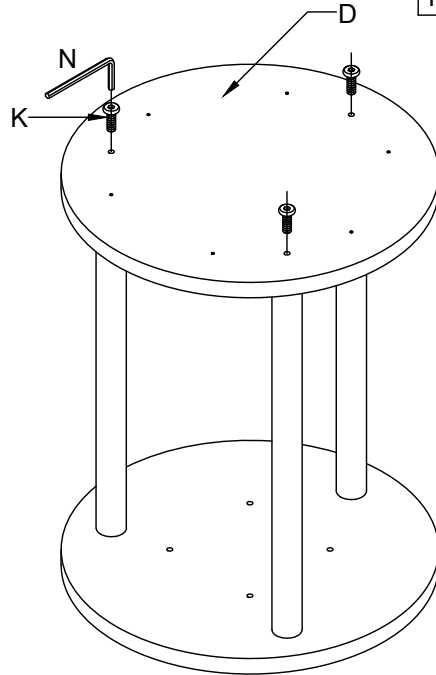
Step1

K		3
N		1



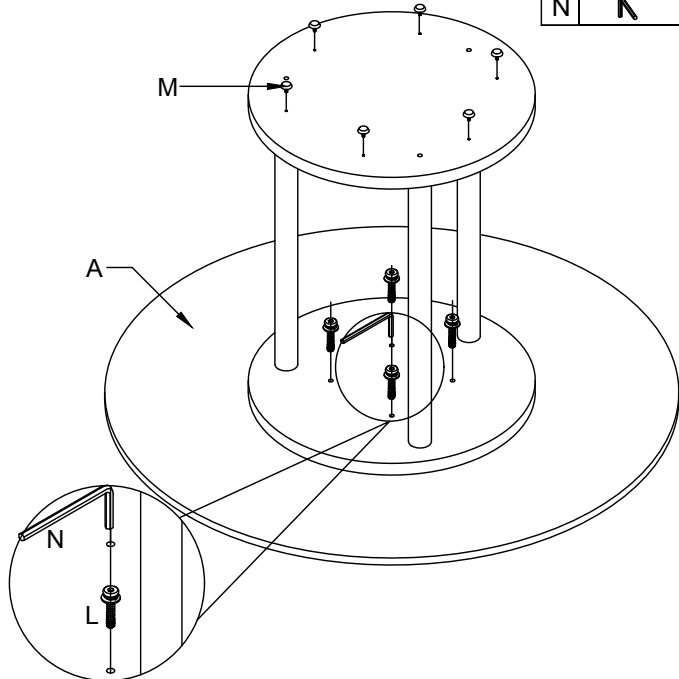
Step2

K		3
N		1

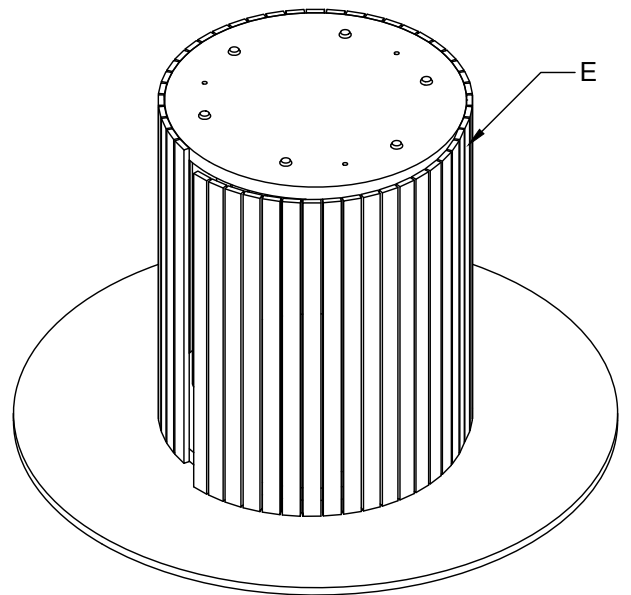


Step3



L		4
M		6
N		4

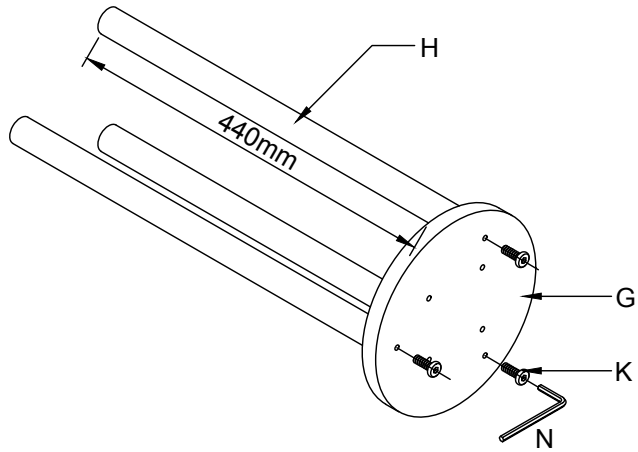


Step4





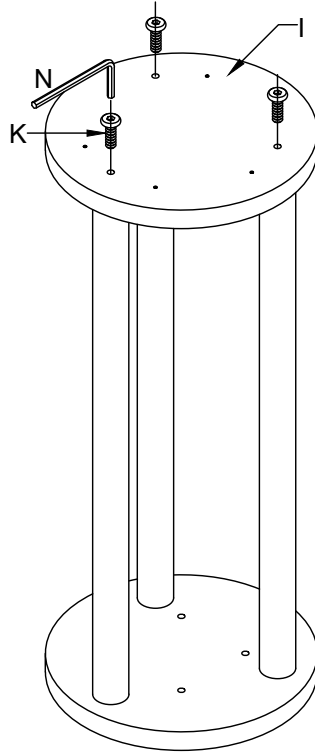
Step5

K	 8x25mm	3
N		1






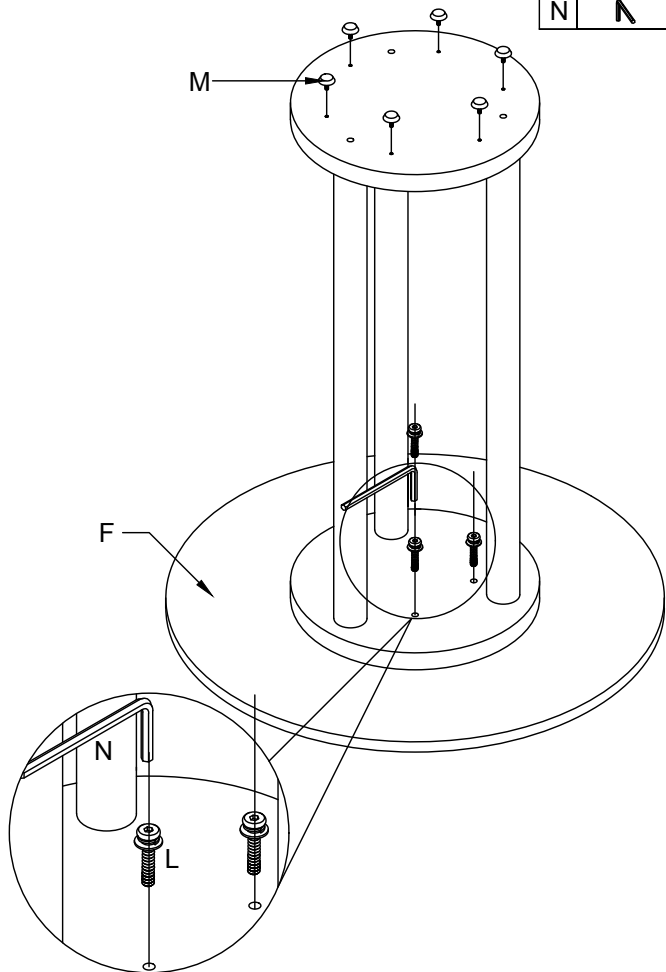
Step6

K	 8x25mm	3
N		1



Step7

L	 6x35mm	4
M		6
N		4



Step8

