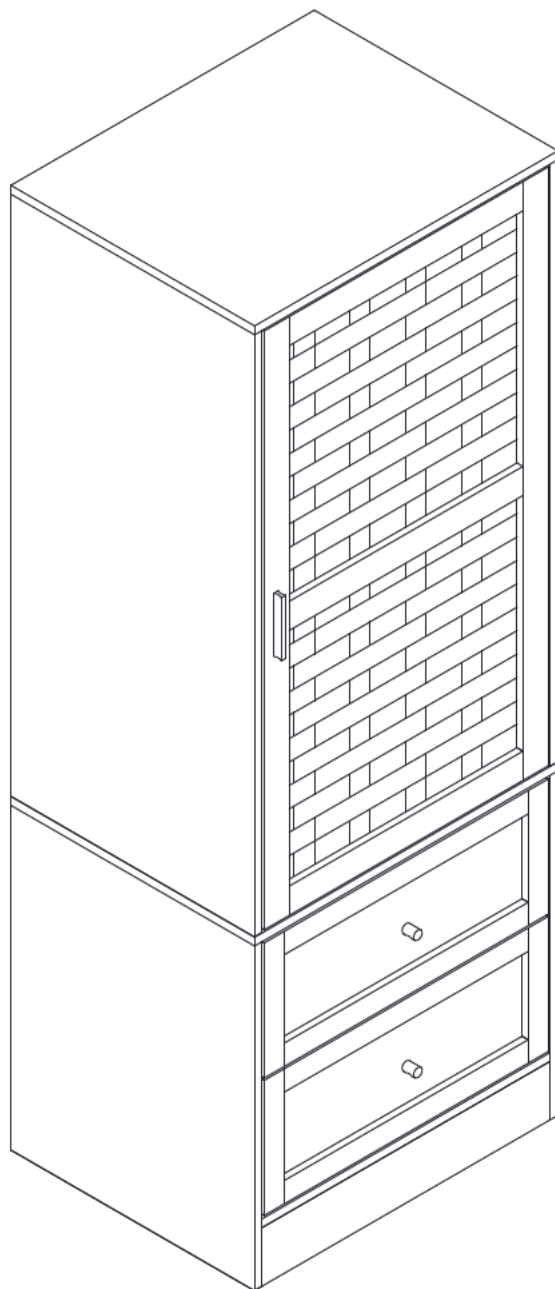


Installation Instruction



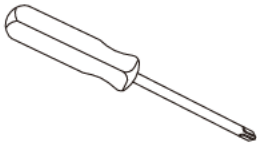
Product name

Hall Tree

Assembling

What you need

- Use the packaging carton as a working surface to prevent product damage during assembly
- Phillips head screwdriver



Weight Limitation



40

lbs table top

11

lbs per drawer

80

lbs metal pole

20

lbs per shelf

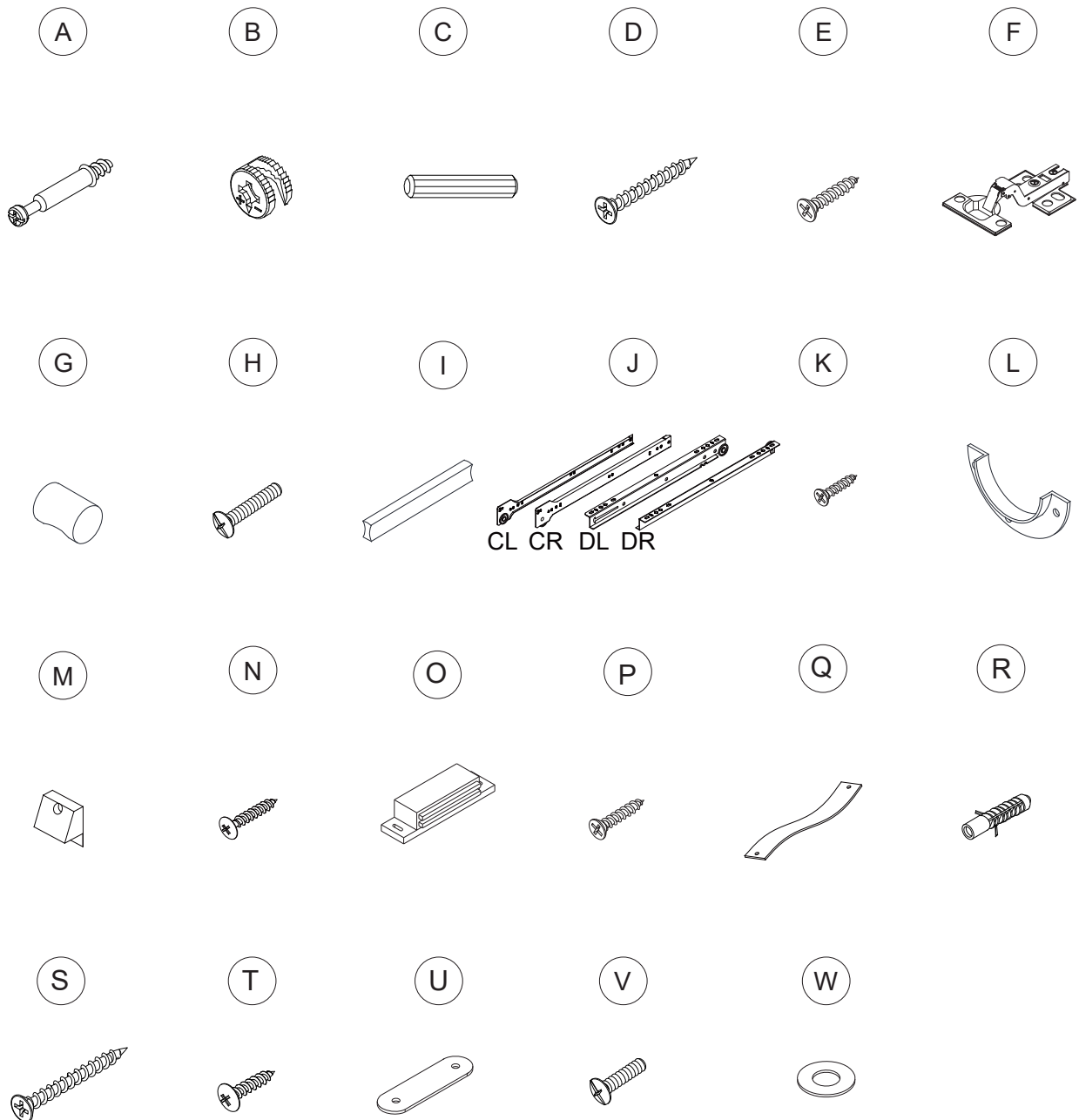


2 PERSONS

What 's included

Code	Description	Qty
A	Cam Bolt M6X35MM	46
B	Cam Lock 15X10MM	46
C	Wooden Dowel M6X30MM	20
D	Screw M4X35MM	14
E	Screw M4X14MM	18
F	Hinge	3
G	Drawer Handle	2
H	Bolt M4X20MM	2
I	Door Handle	1
J	Slide Sets	2
K	Screw M3X12MM	28
L	Metal Support	2
M	Plastic Corner Support	12
N	Screw M3X16MM	12
O	Magnetic Door Catcher	2
P	Screw M3X14MM	10
Q	Nylon Strap	2
R	Anchor M6X30MM	2
S	Screw M4X40MM	2
T	Screw M4X14MM	6
U	Door Metal Plate	2
V	Bolt M4X10MM	2
W	Metal Washer	4

The Hardware



IMPORTANT :

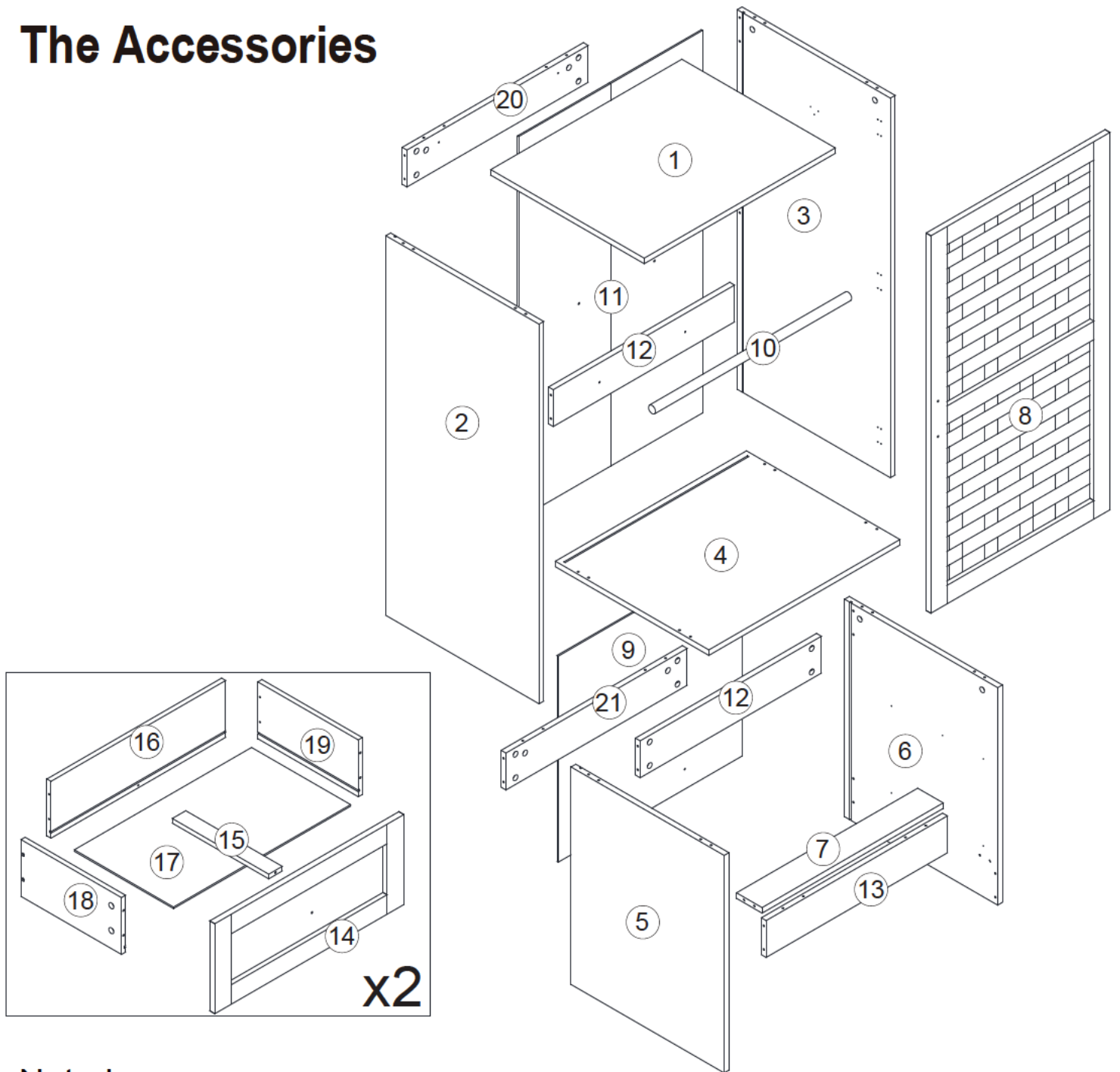
1. Do not tighten bolts / screws completely until all bolts / screws are lined up and inserted into holes.
2. Do not over tighten screws and bolts to avoid stripping.
3. Please use hand tools to assemble this product. Do not use power tools.
4. Must need 2 people to assemble this product.



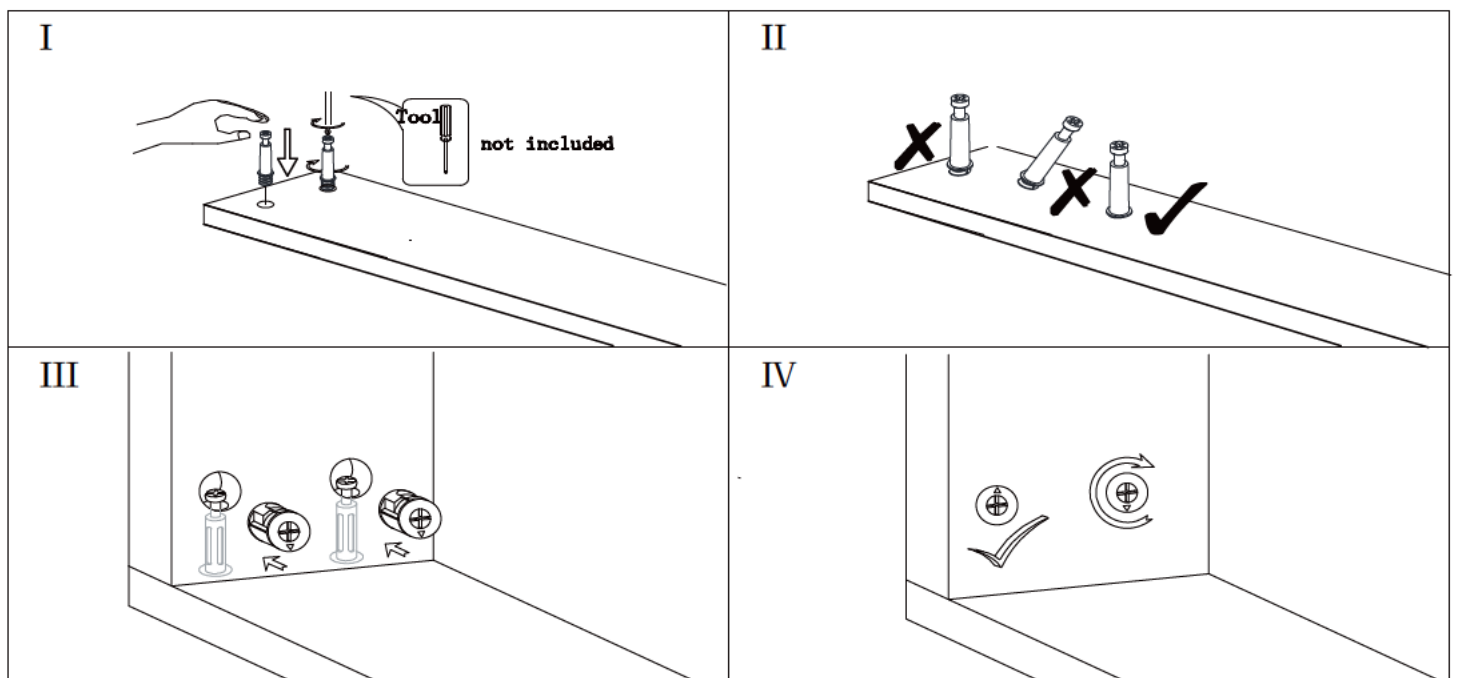
Included Accessories

Code	Description	Qty
1.	Cabinet Top	1
2.	Upper Left Side Panel	1
3.	Upper Right Side Panel	1
4.	Upper Bottom Panel	1
5.	Lower Left Side Panel	1
6.	Lower Right Side Panel	1
7.	Front Support Panel	1
8.	Door	1
9.	Lower Back Panel	1
10.	Metal Pole	1
11.	Upper Back Panel	1
12.	Back Stretcher	2
13.	Support Panel	1
14.	Drawer Front Panel	2
15.	Drawer Bottom Support Panel	2
16.	Drawer Back Panel	2
17.	Drawer Bottom Panel	2
18.	Drawer Left Side Panel	2
19.	Drawer Right Side Panel	2
20.	Upper Back Support Panel	1
21.	Lower Back Support Panel	1

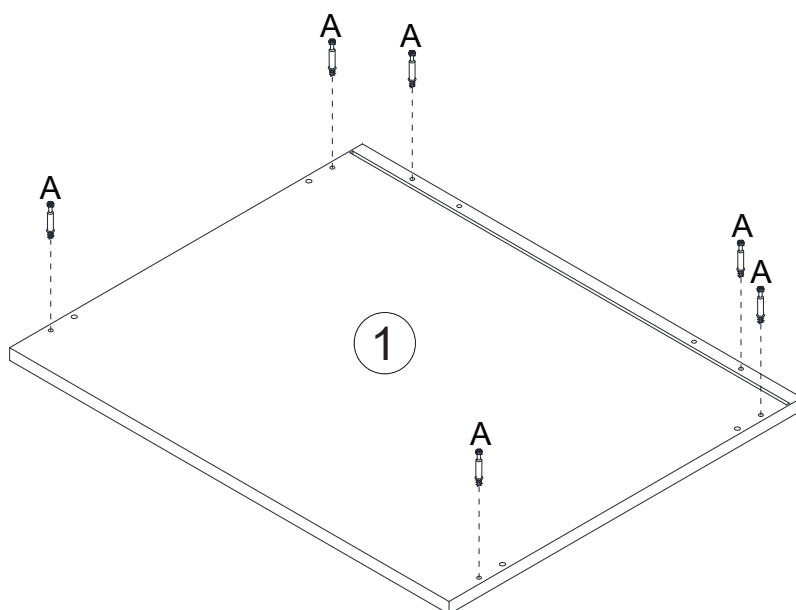
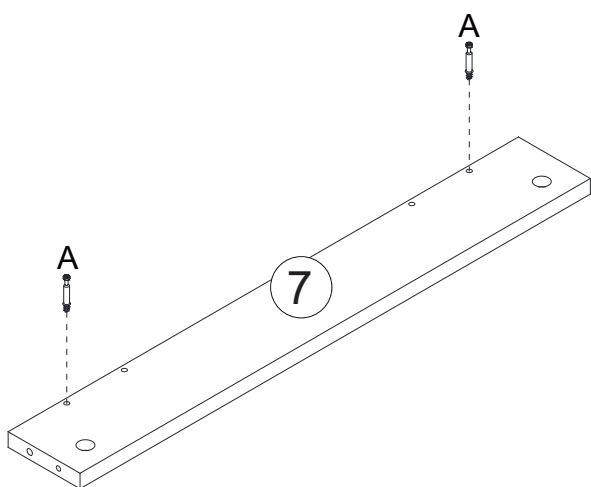
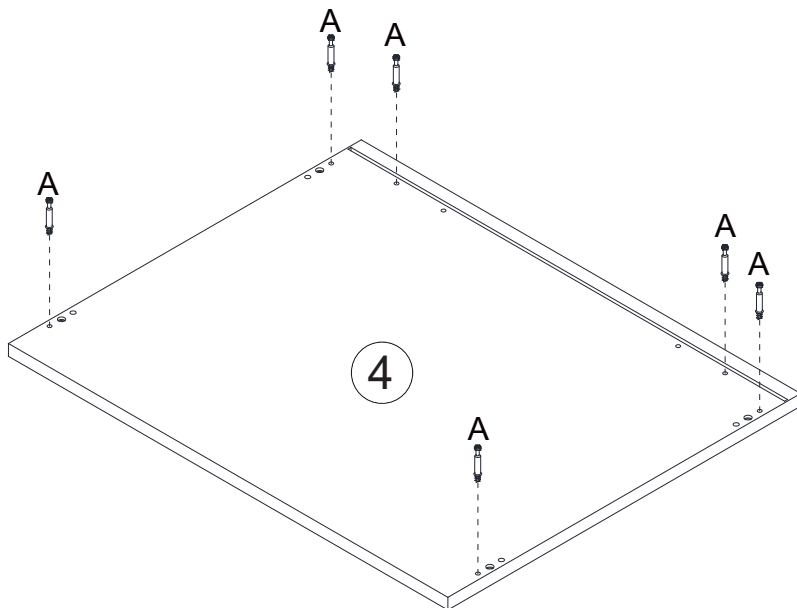
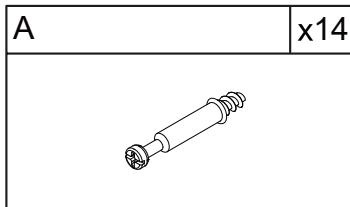
The Accessories



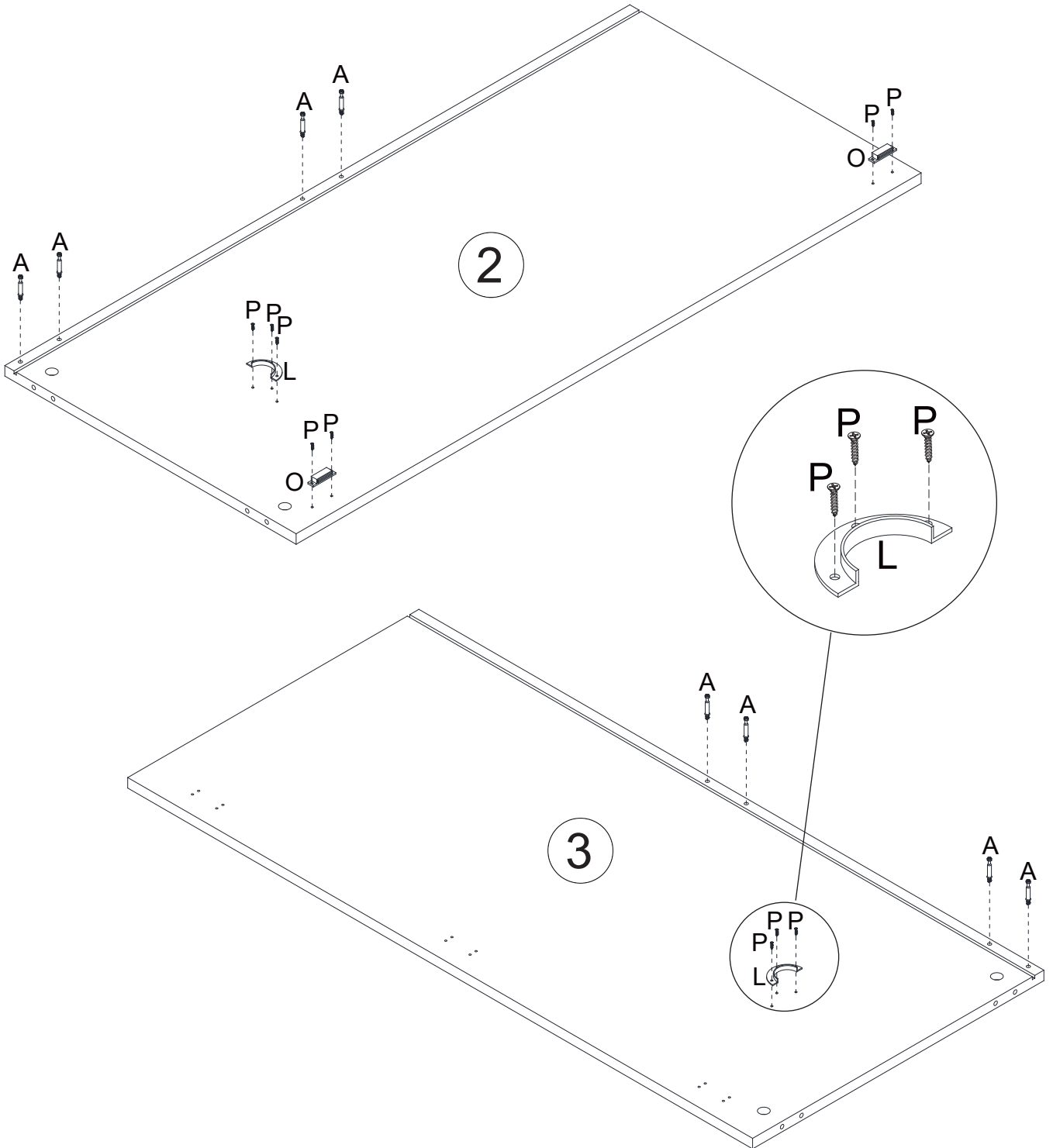
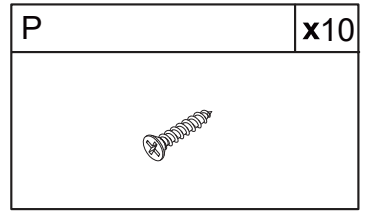
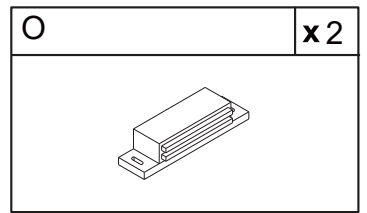
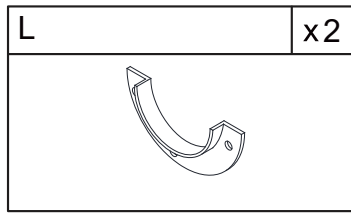
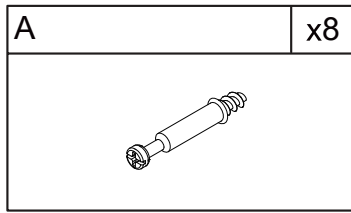
Noted :



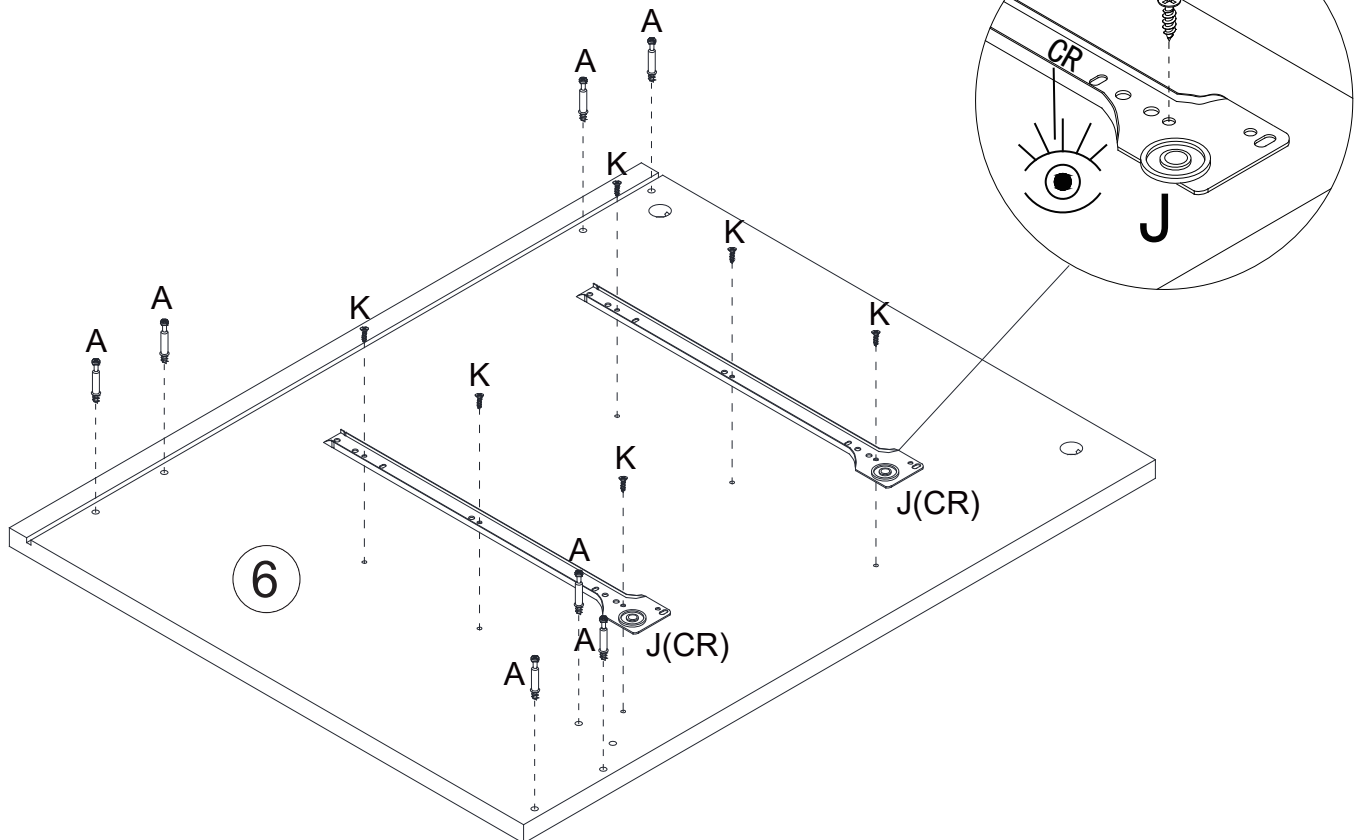
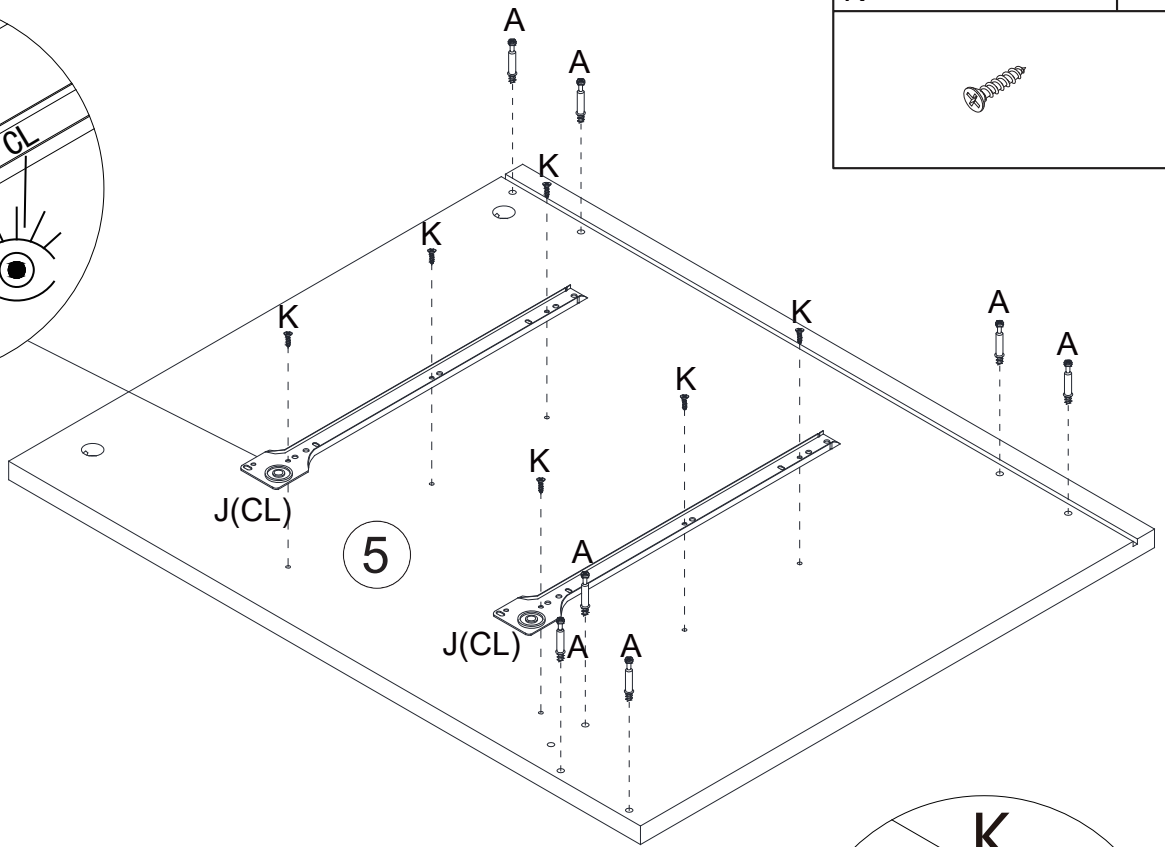
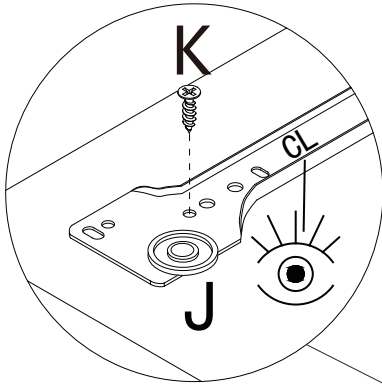
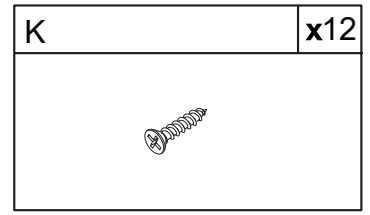
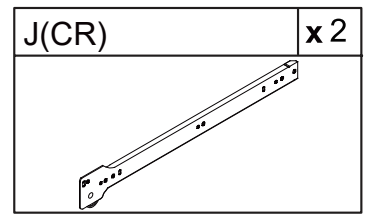
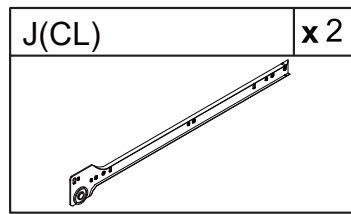
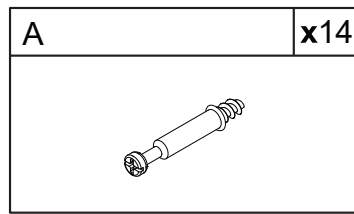
STEP 1



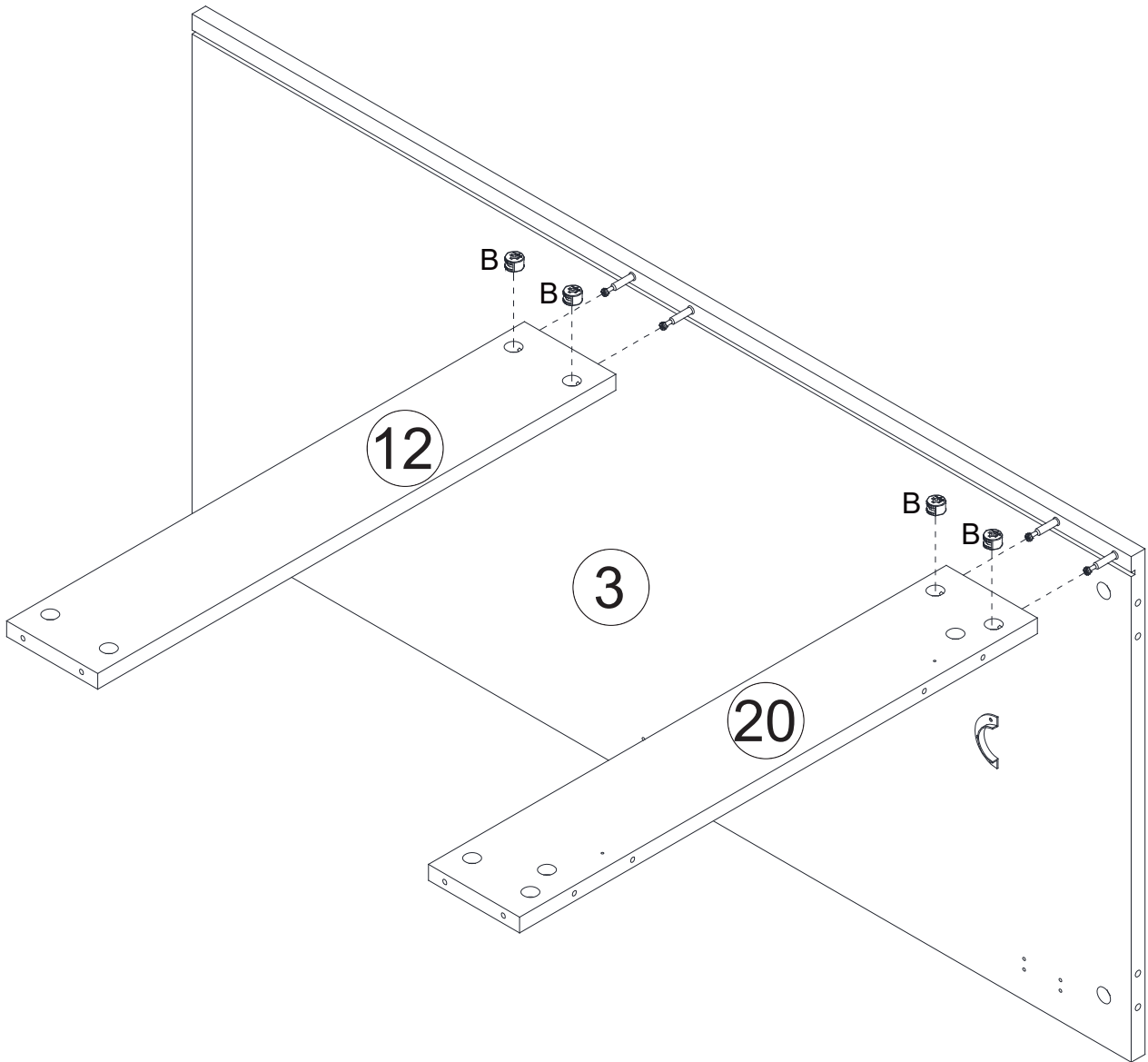
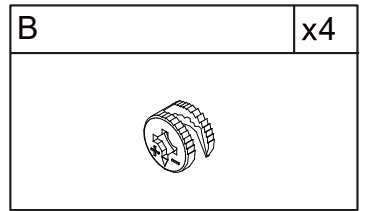
STEP 2



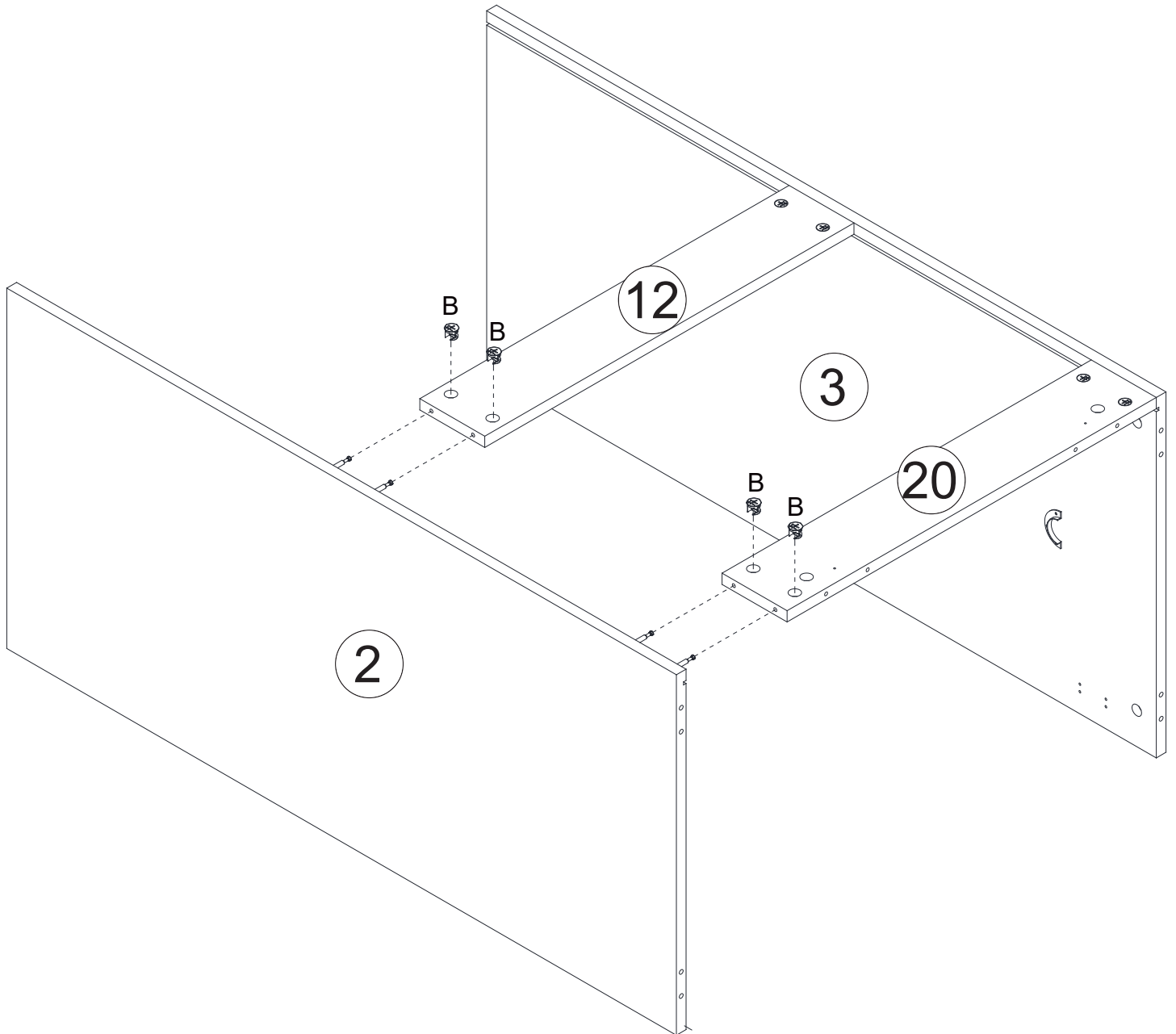
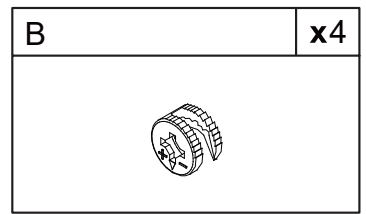
STEP 3



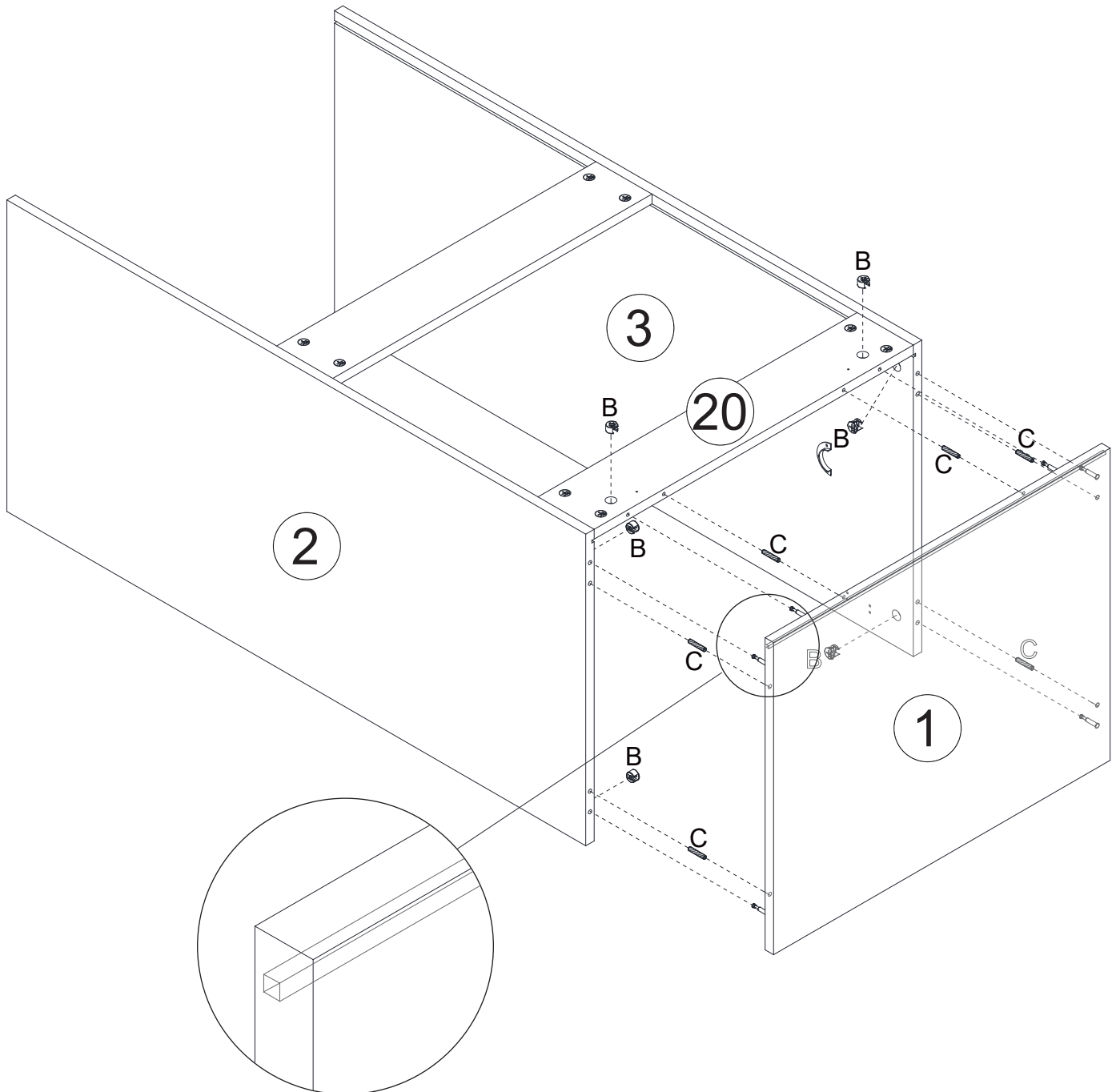
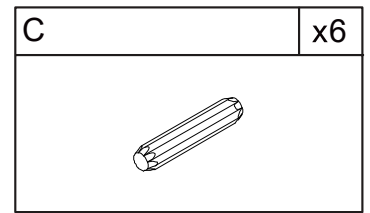
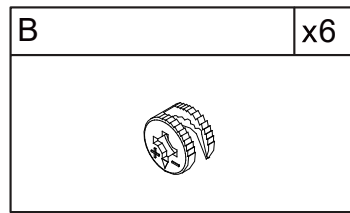
STEP 4



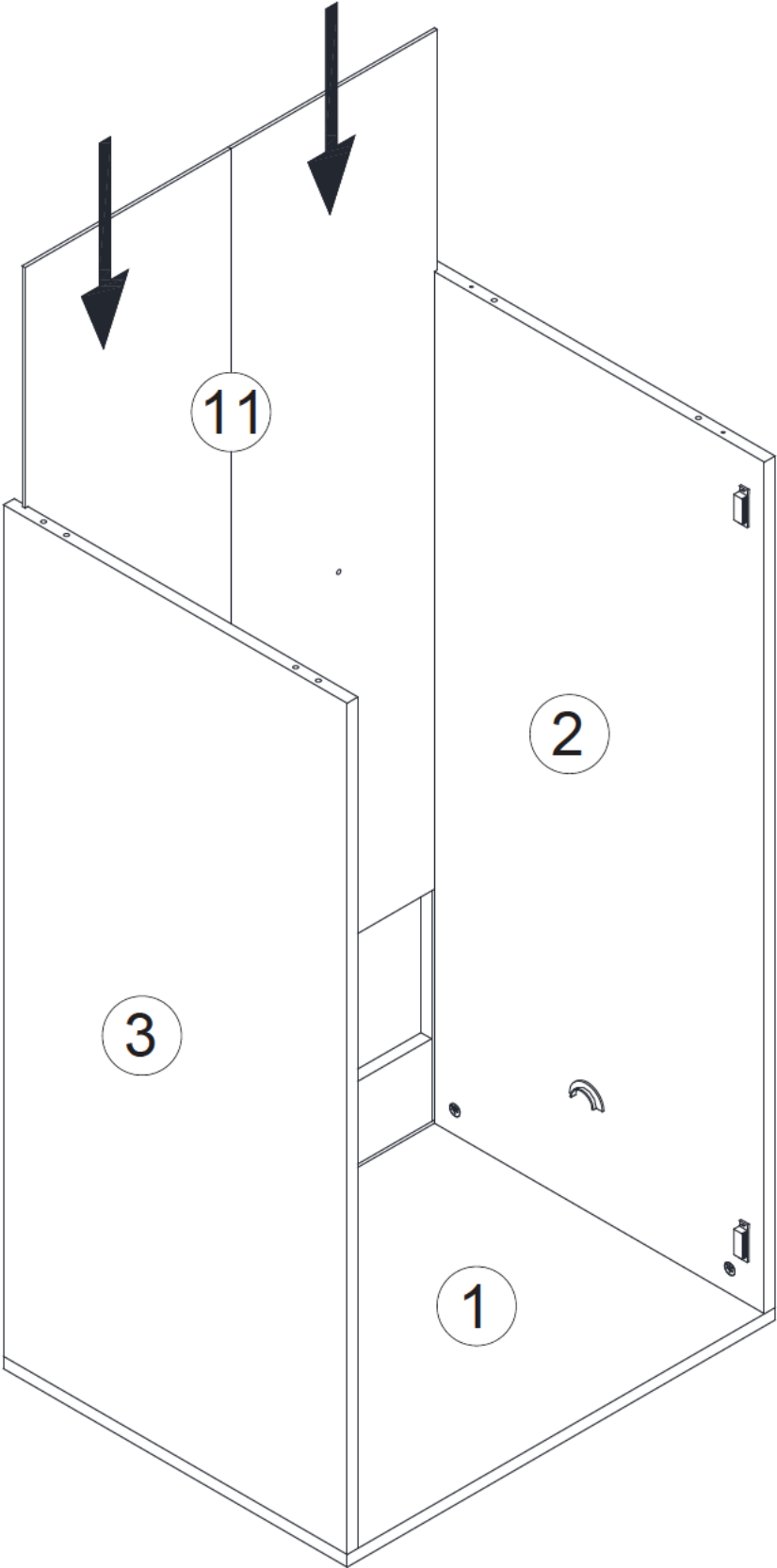
STEP 5



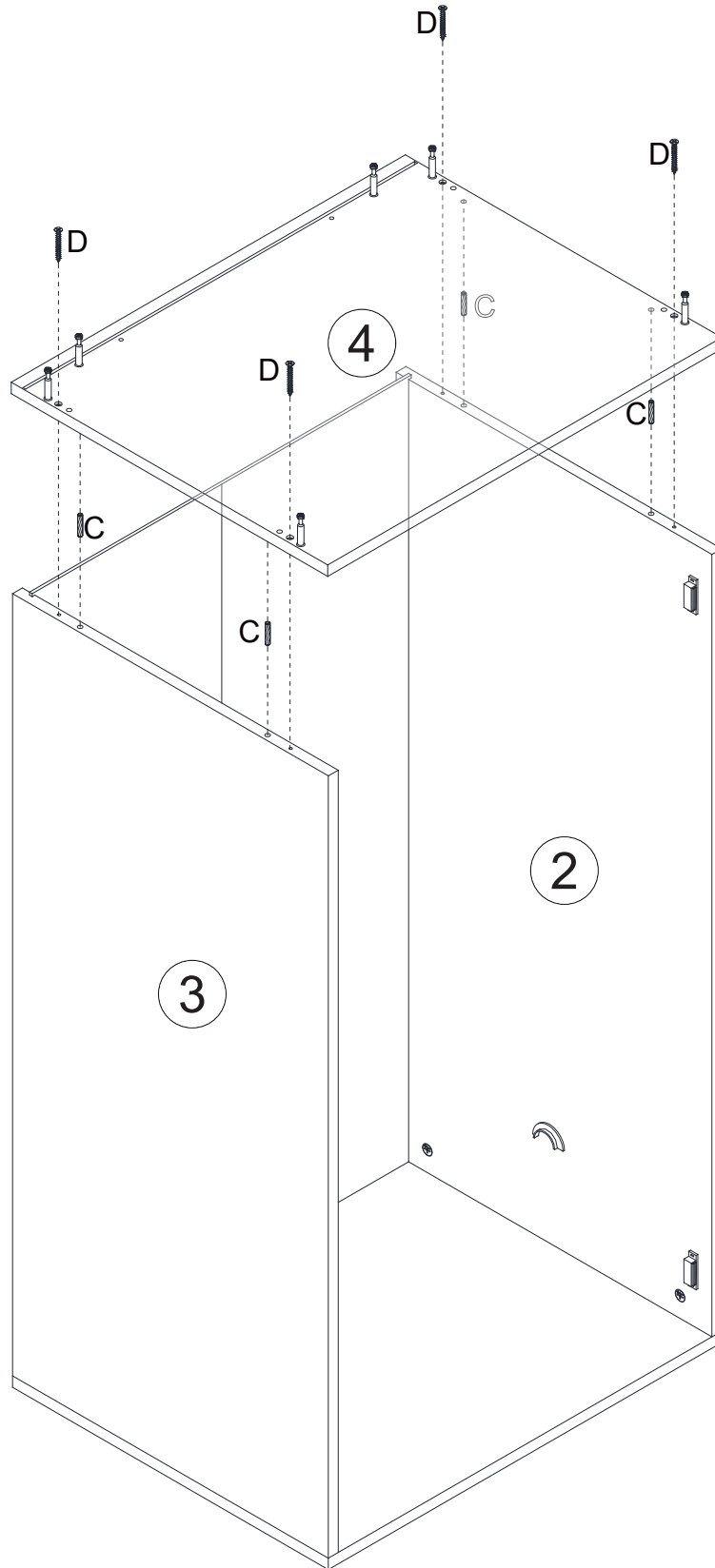
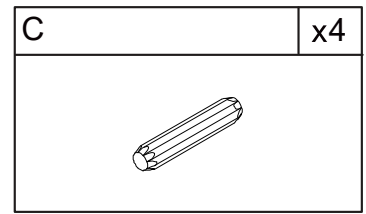
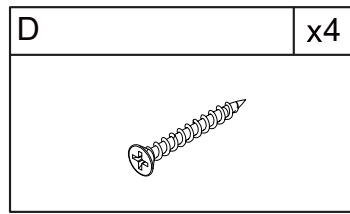
STEP 6



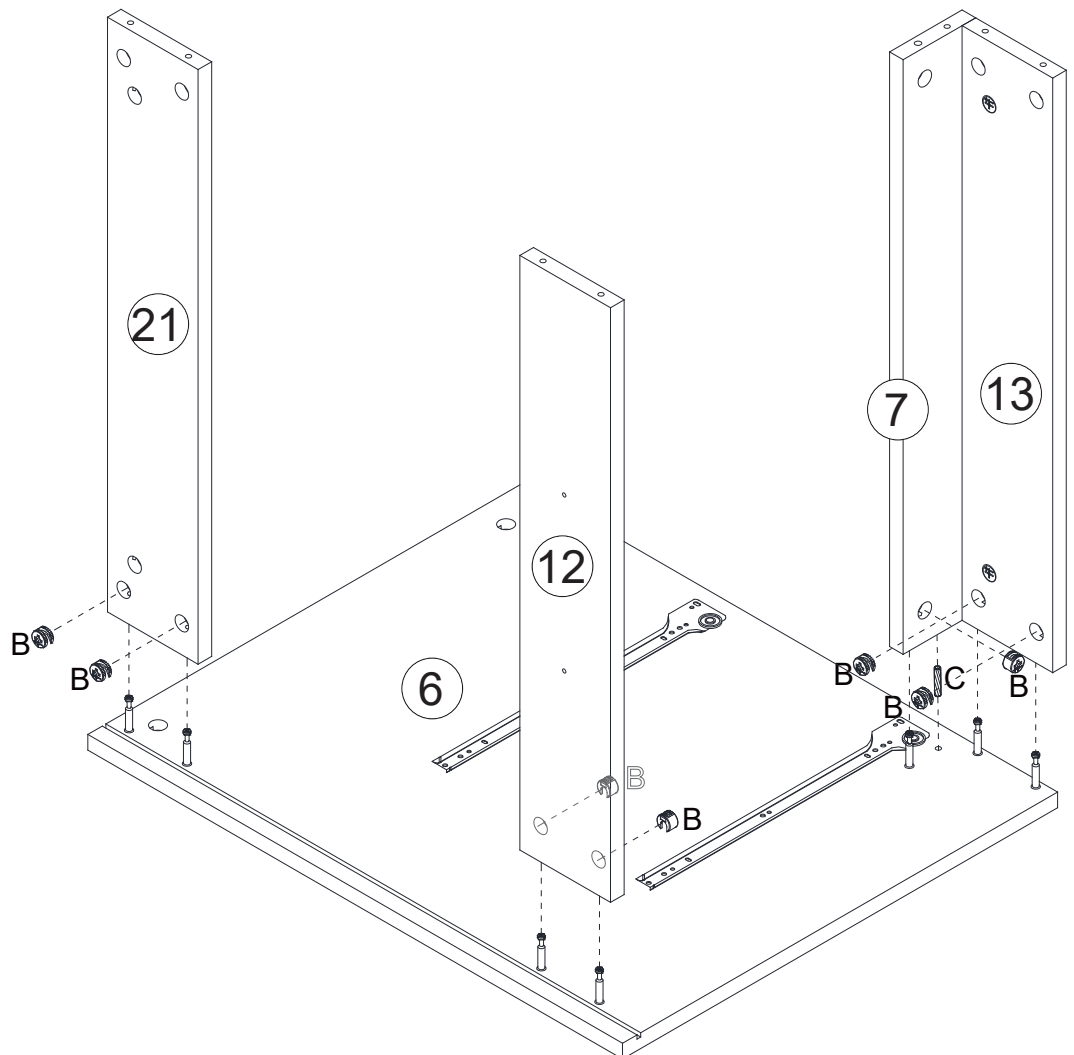
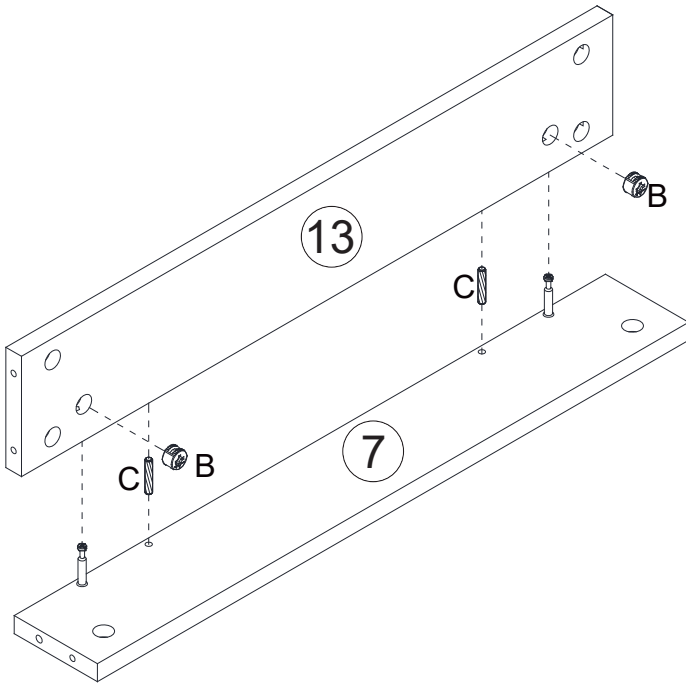
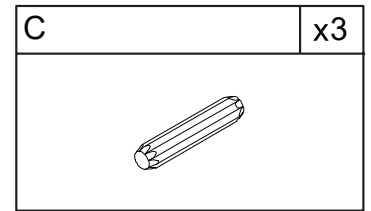
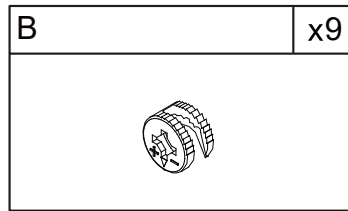
STEP 7



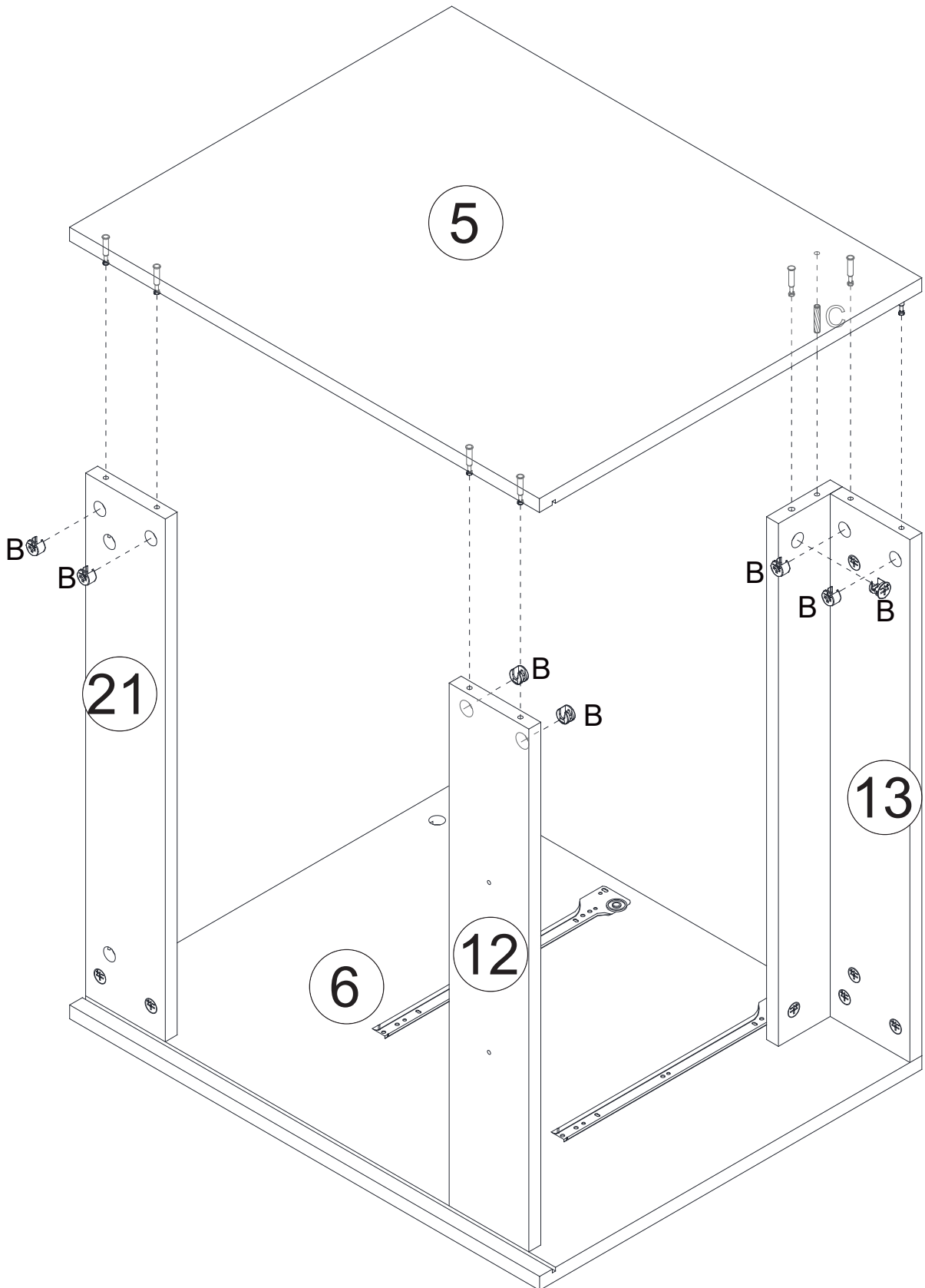
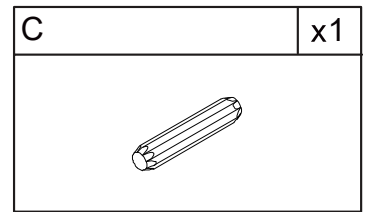
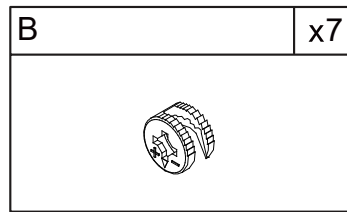
STEP 8



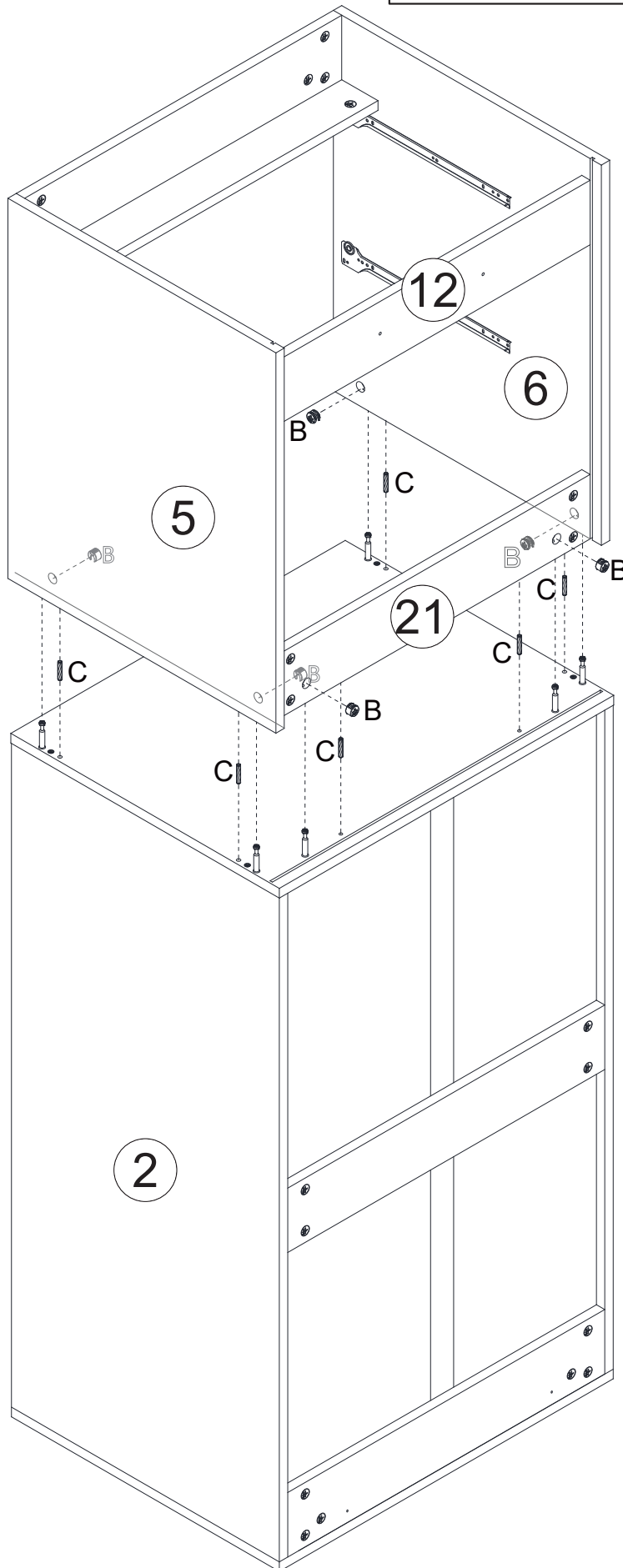
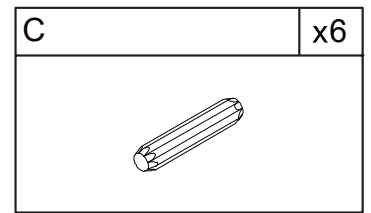
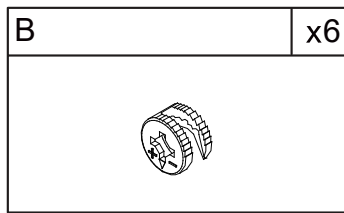
STEP 9



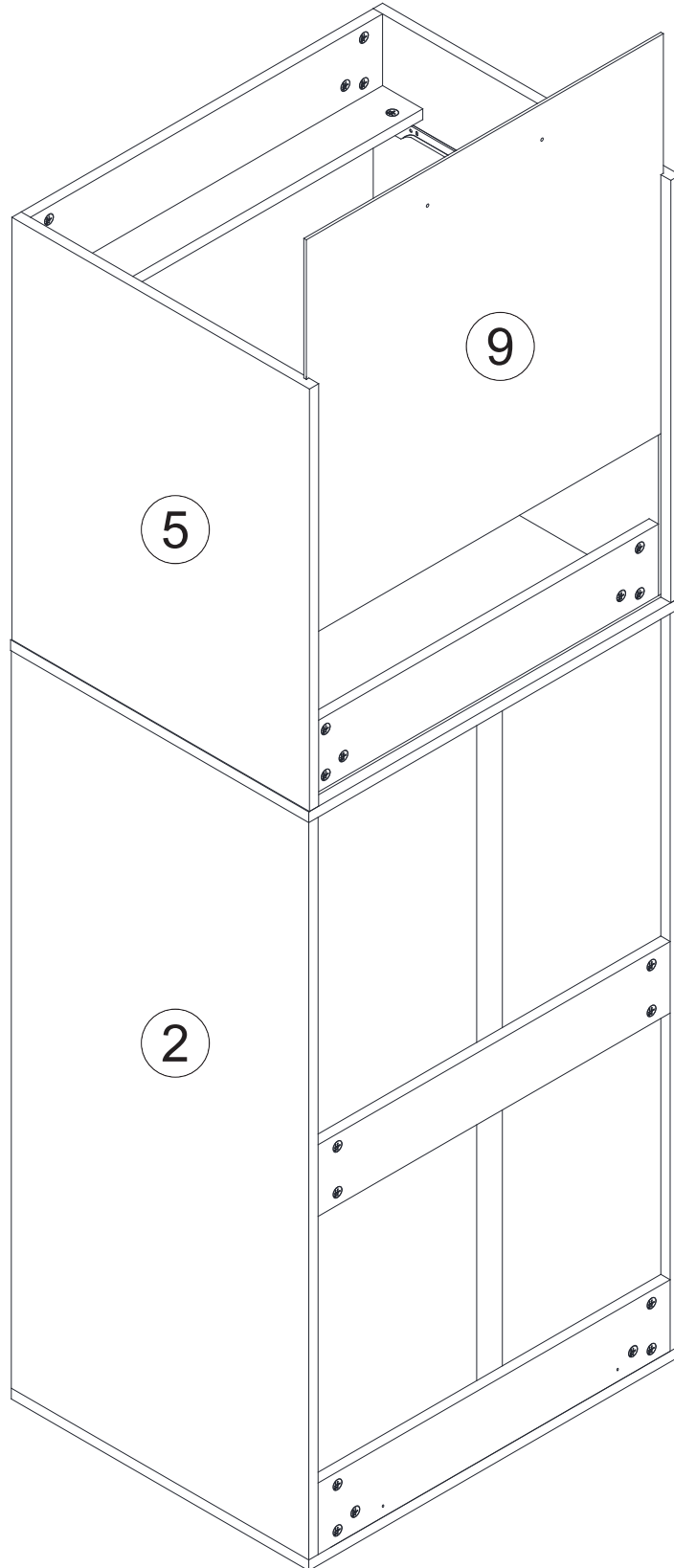
STEP 10



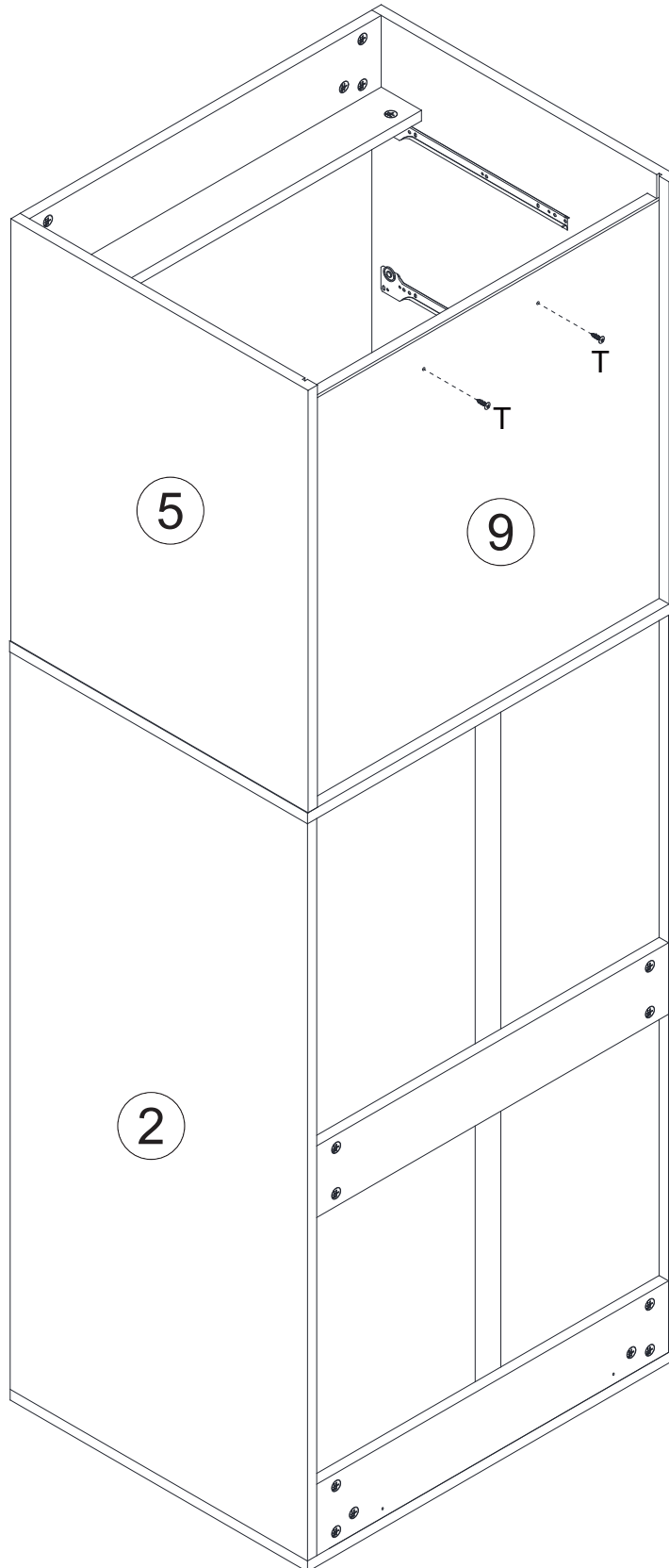
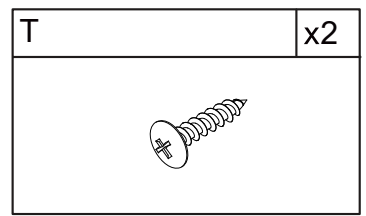
STEP 11



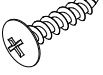
STEP 12

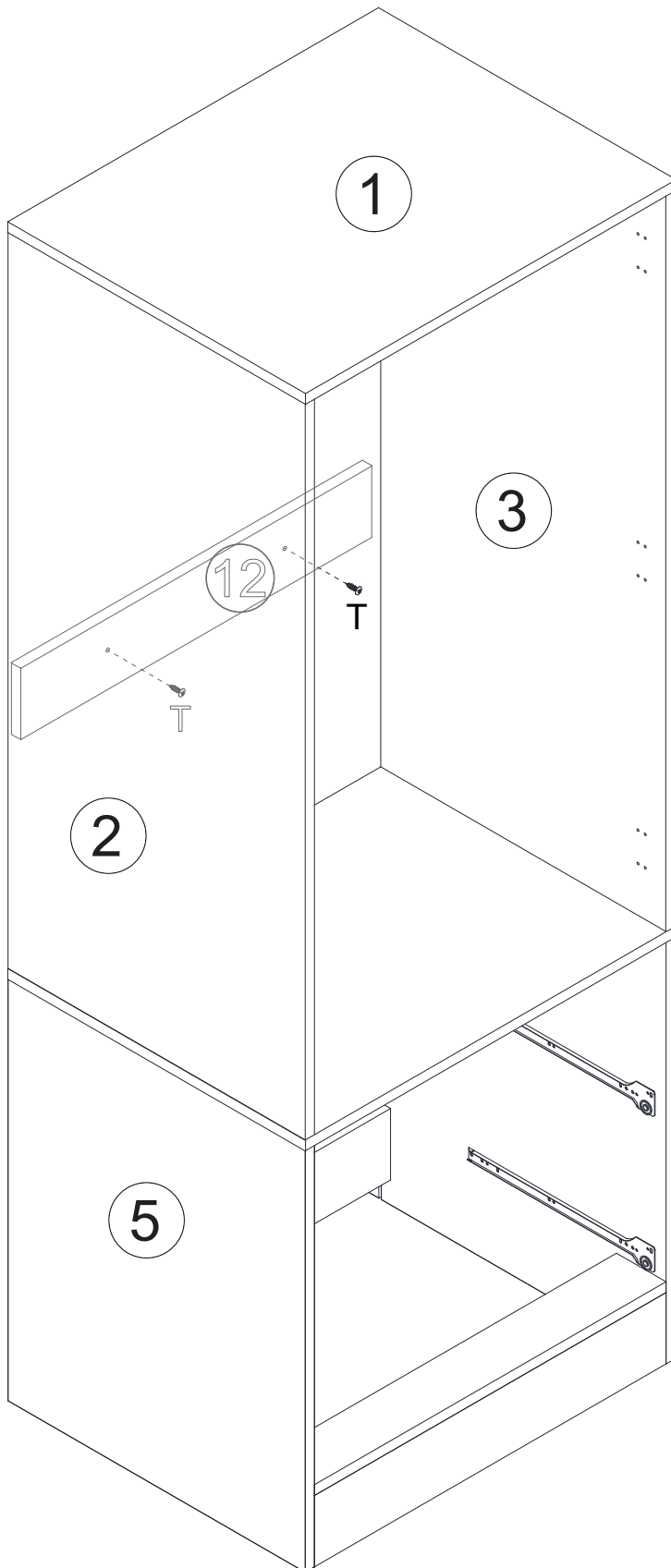


STEP 13

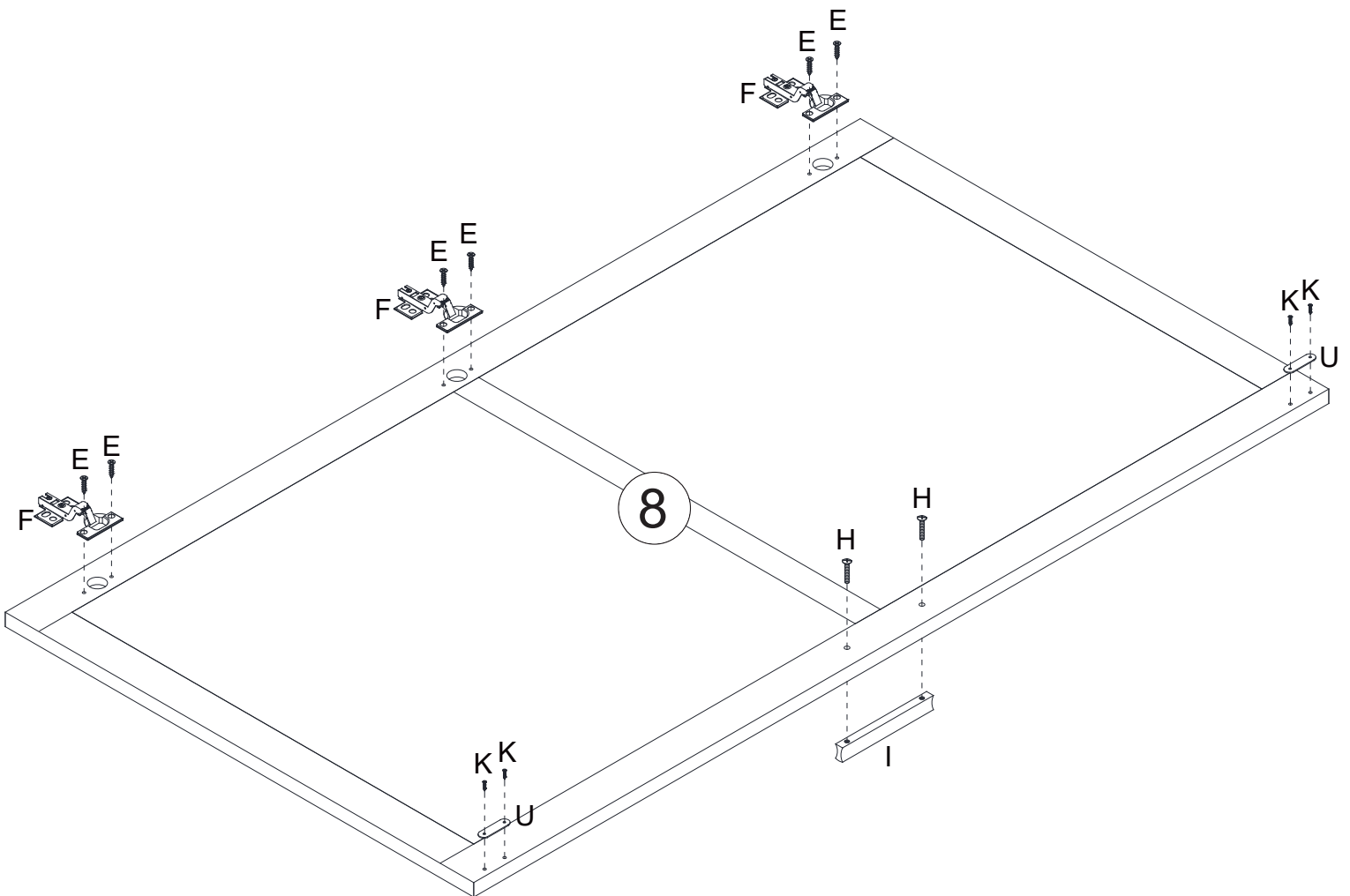
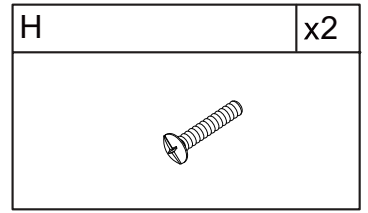
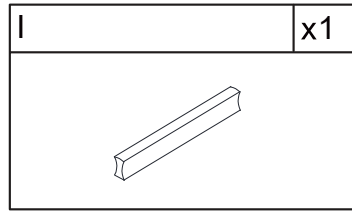
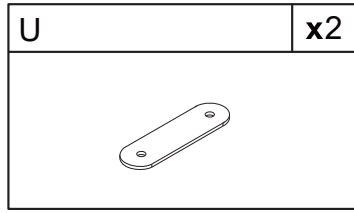
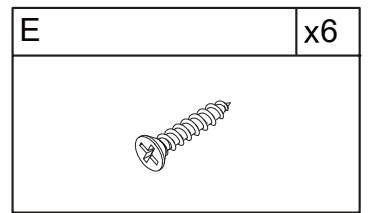
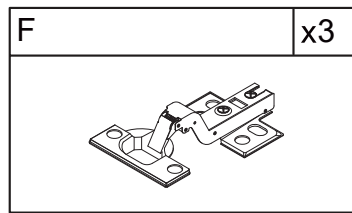
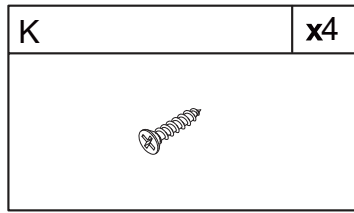


STEP 14

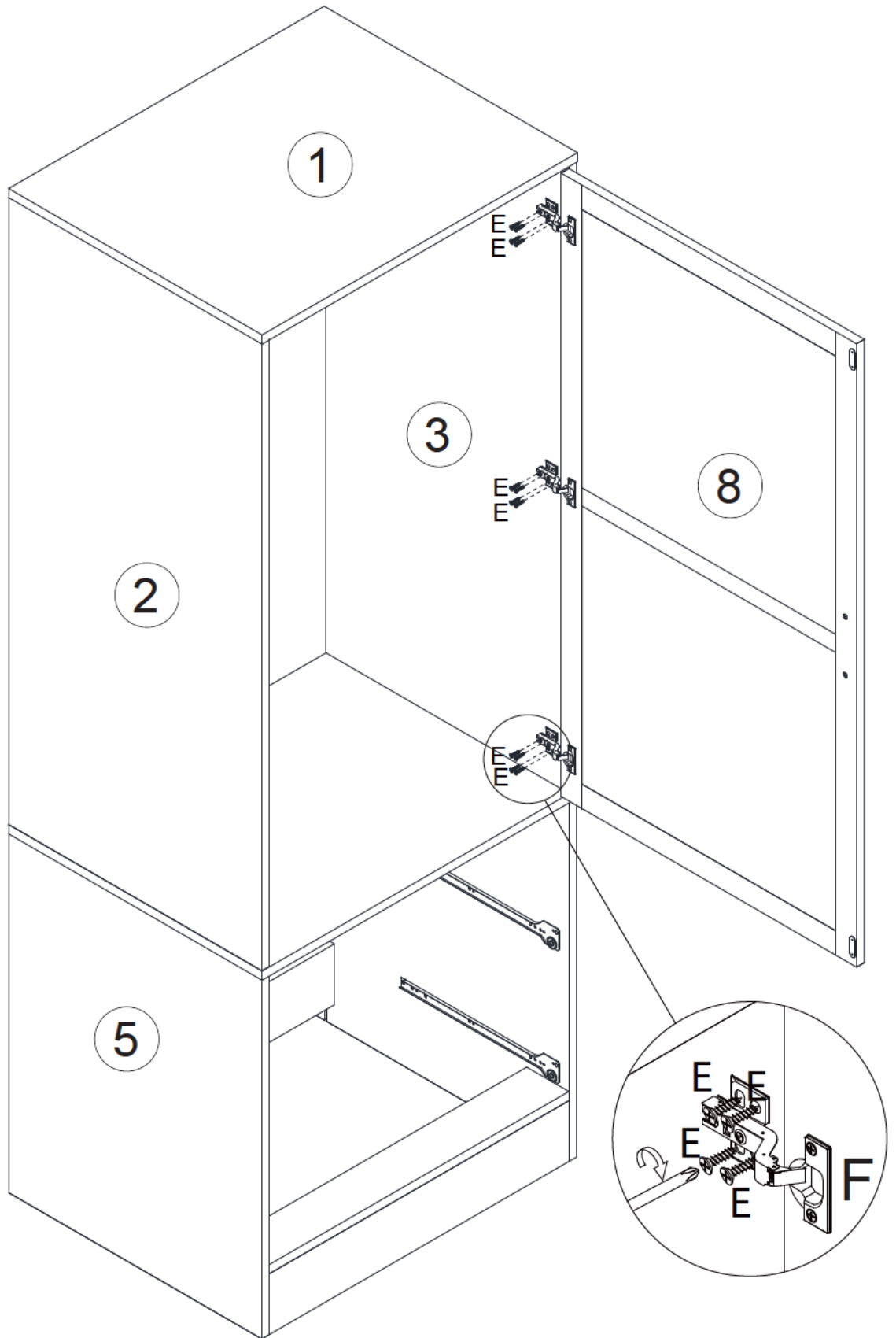
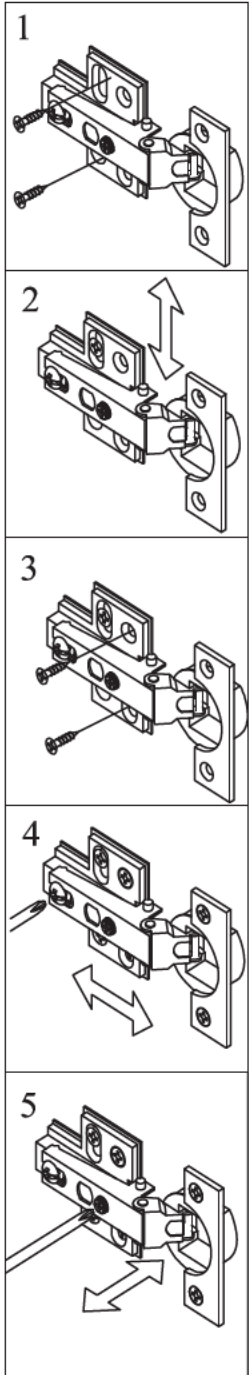
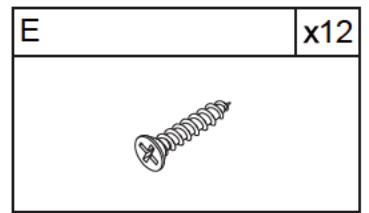
T	x2
	



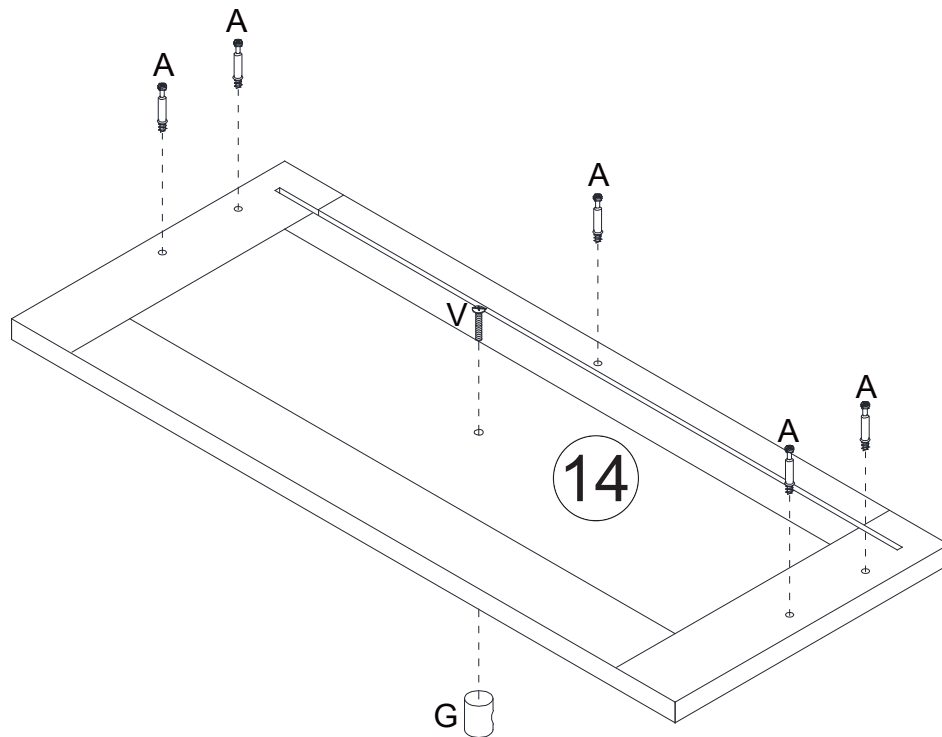
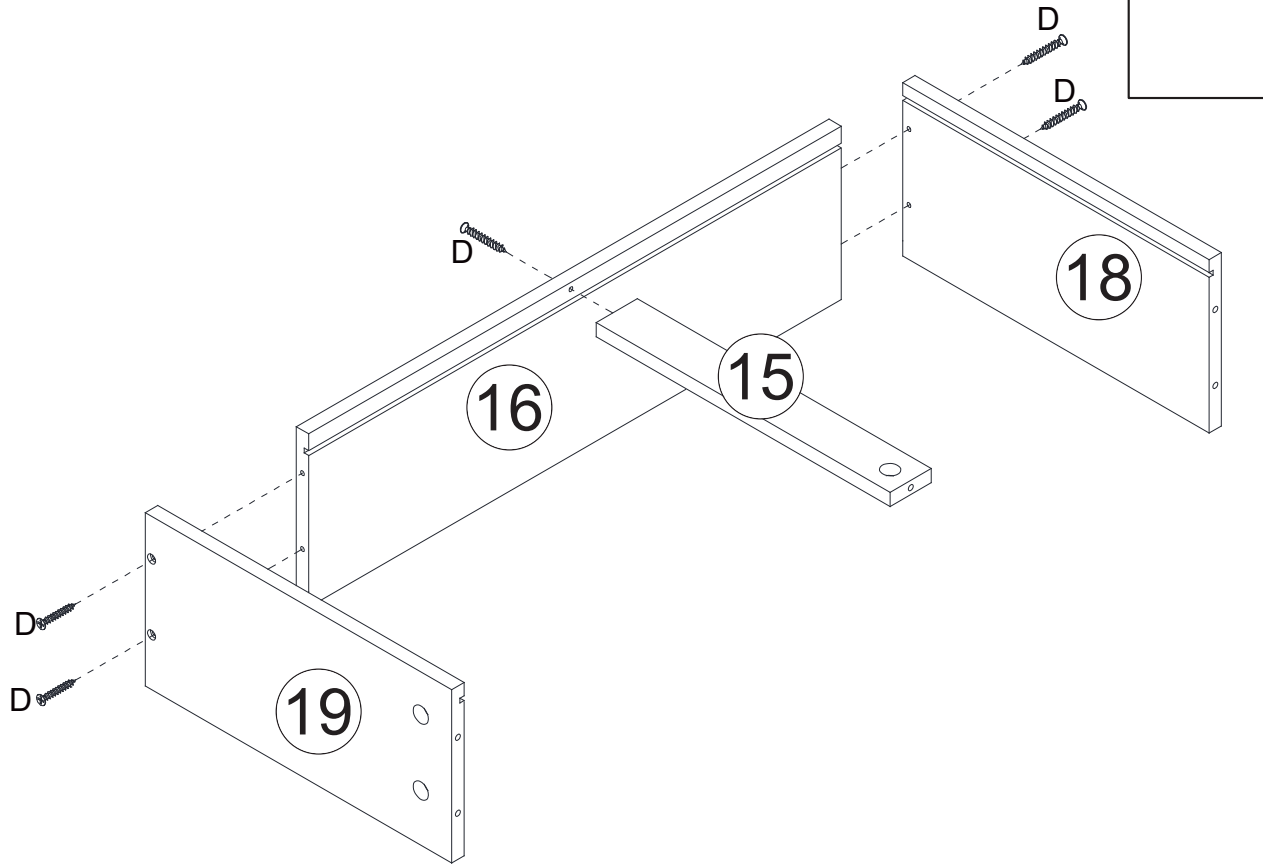
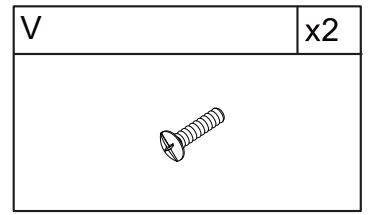
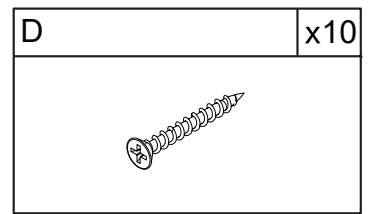
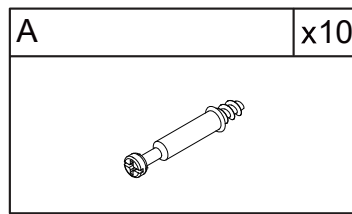
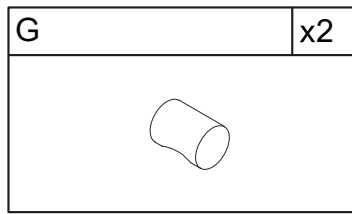
STEP 15



STEP 16




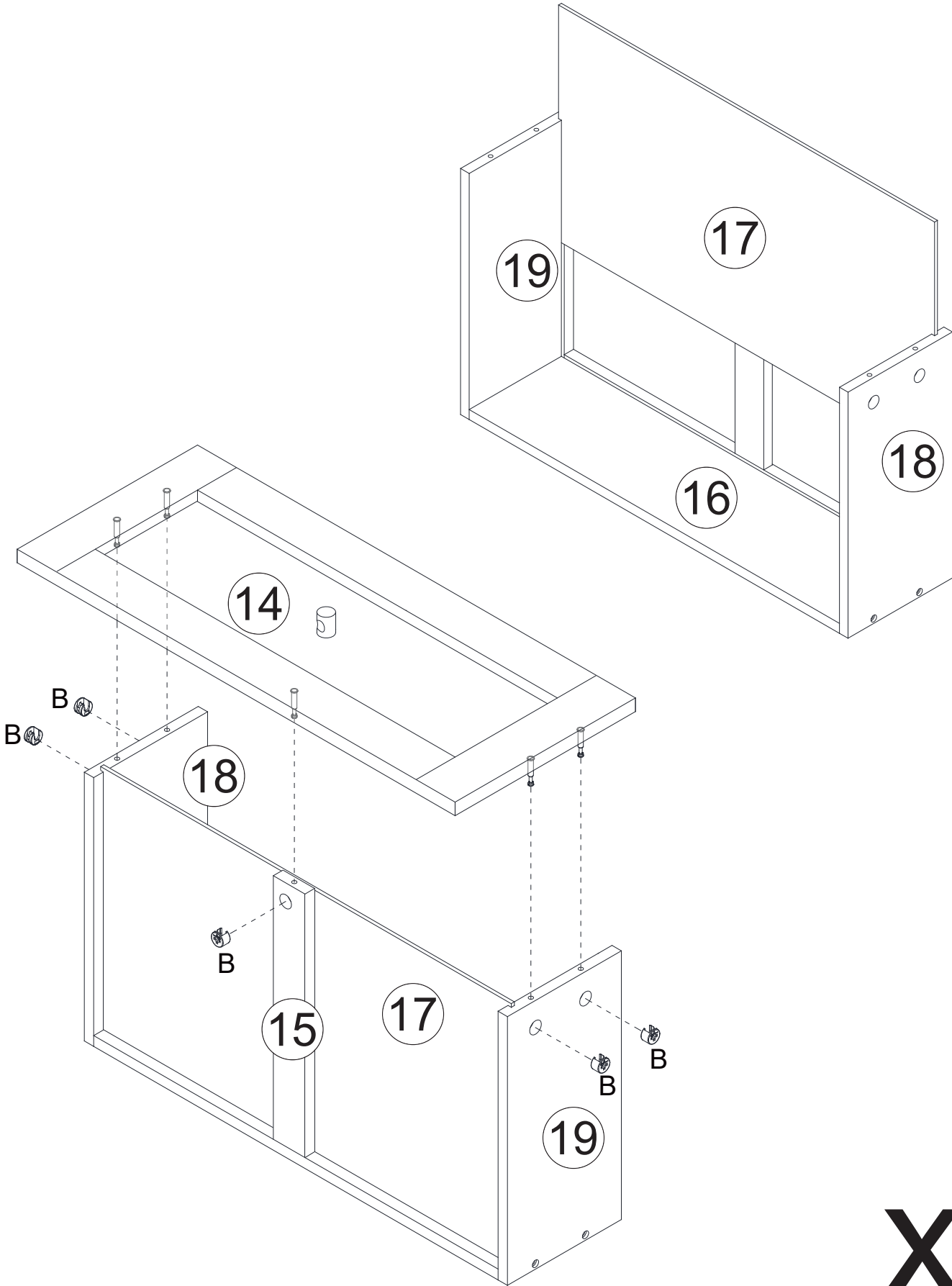
STEP 17



x2

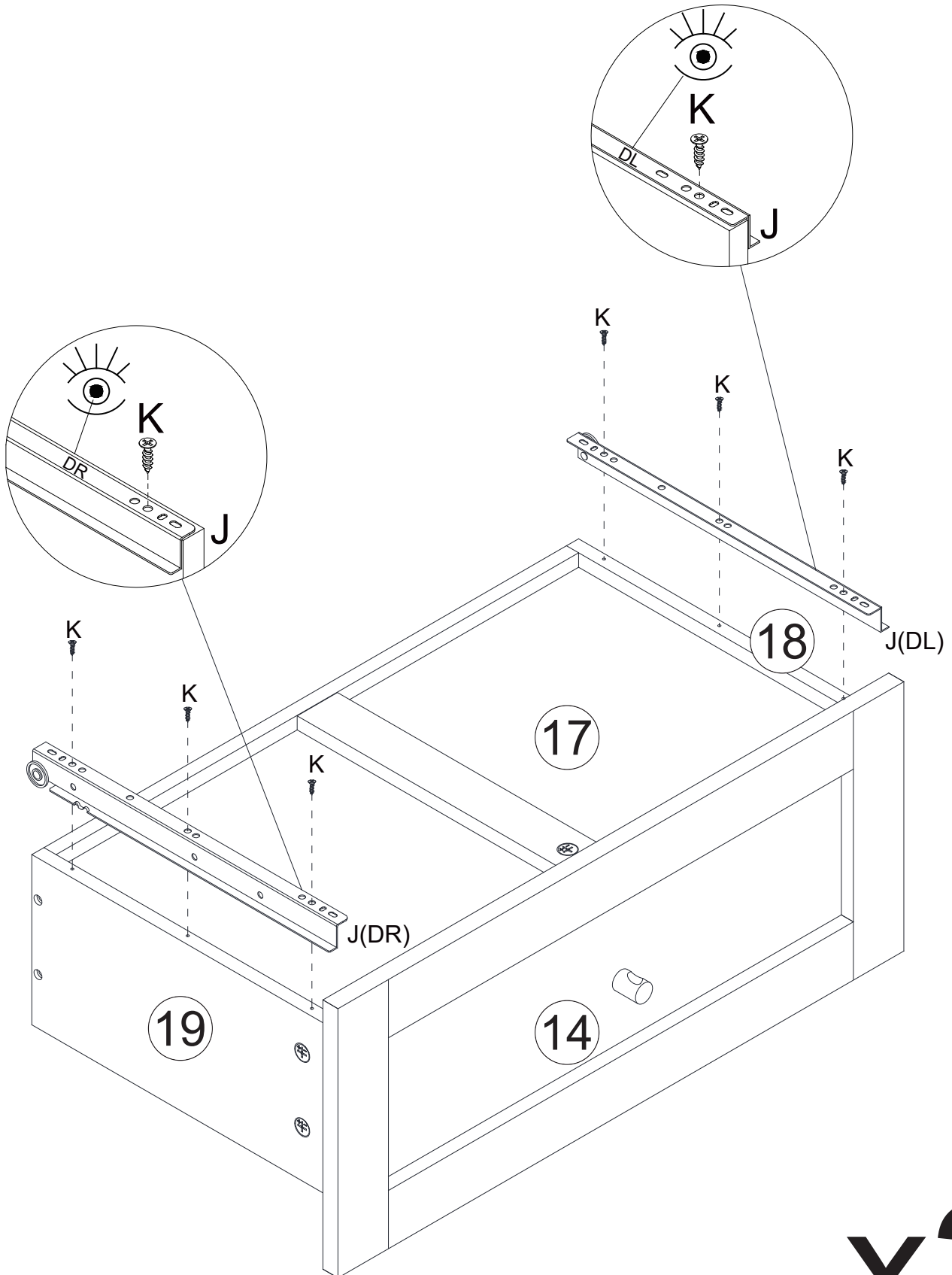
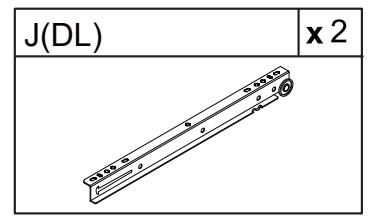
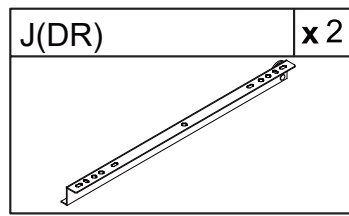
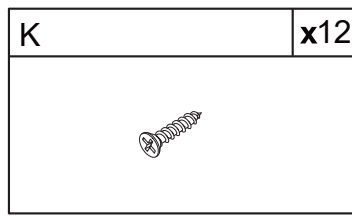
STEP 18

B	x10
	



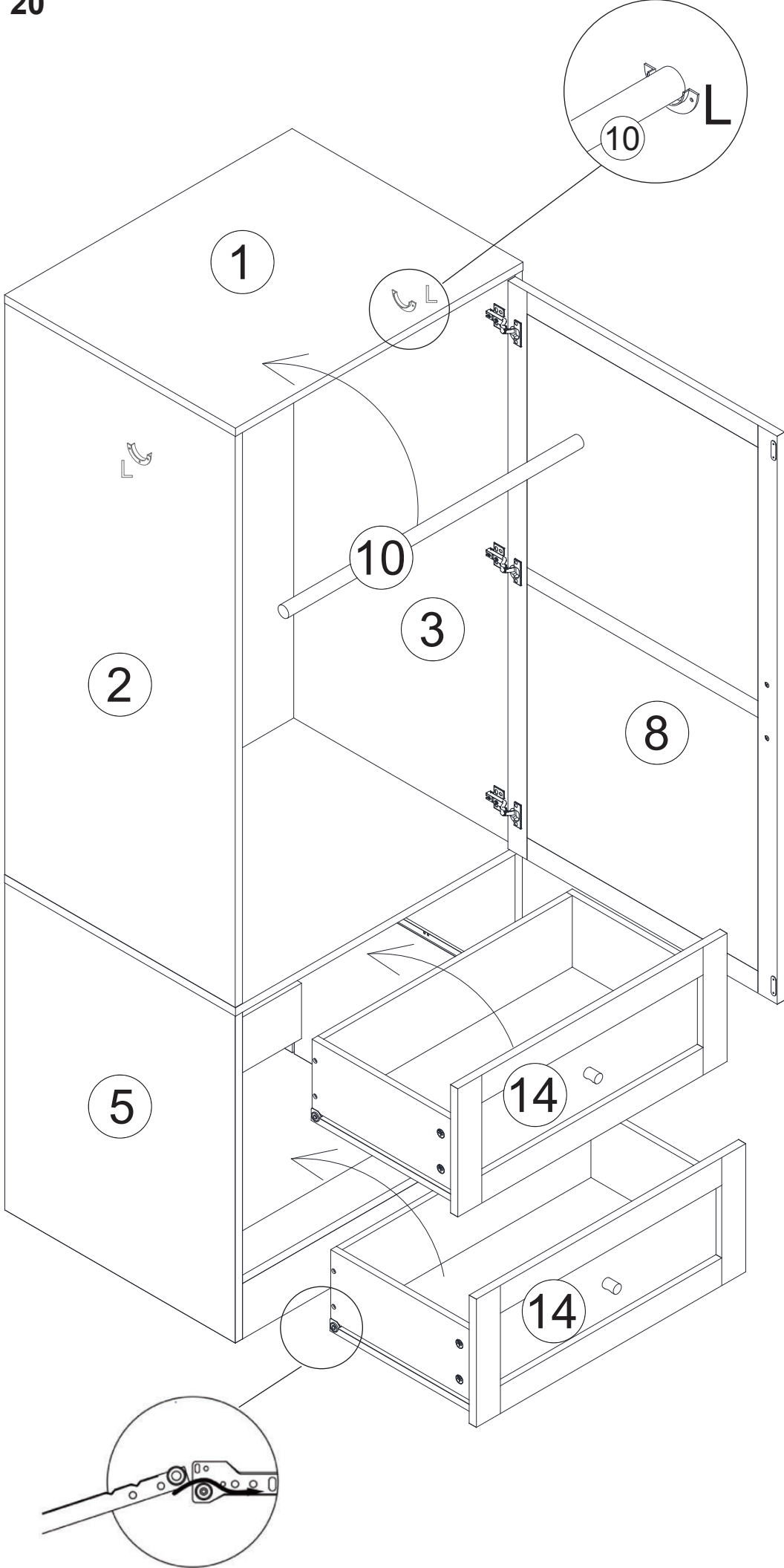
x2

STEP 19

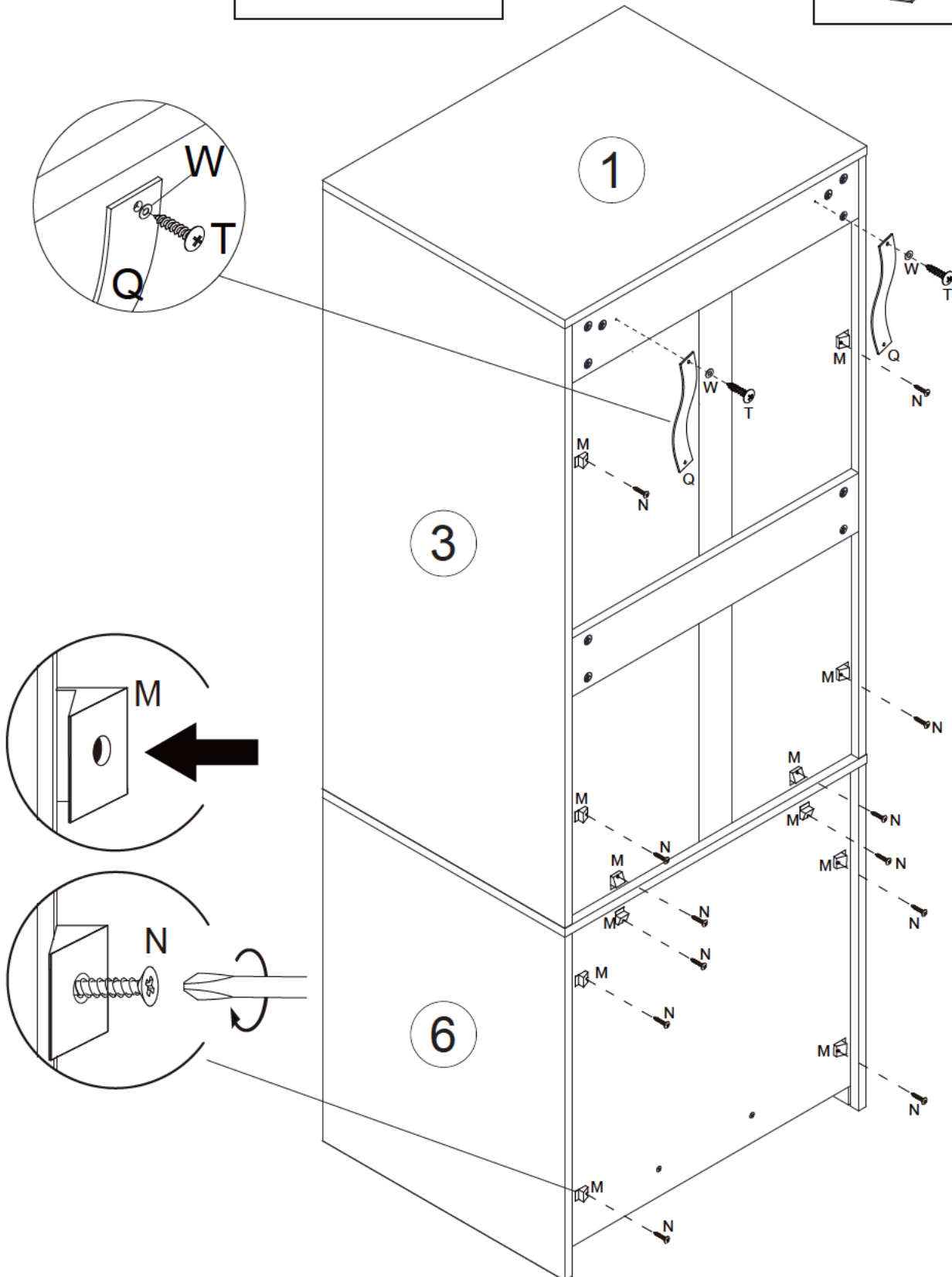
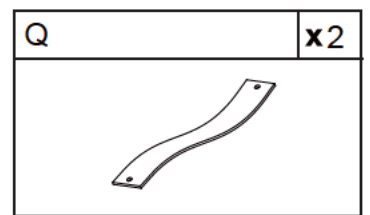
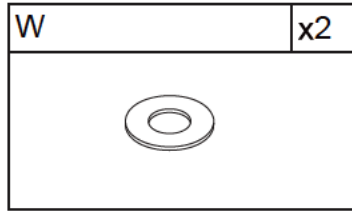
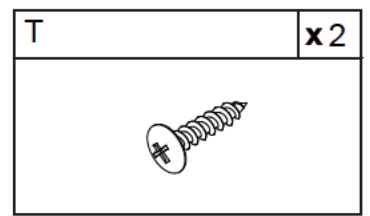
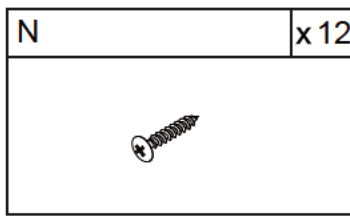
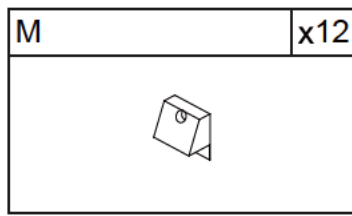


x2

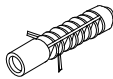
STEP 20

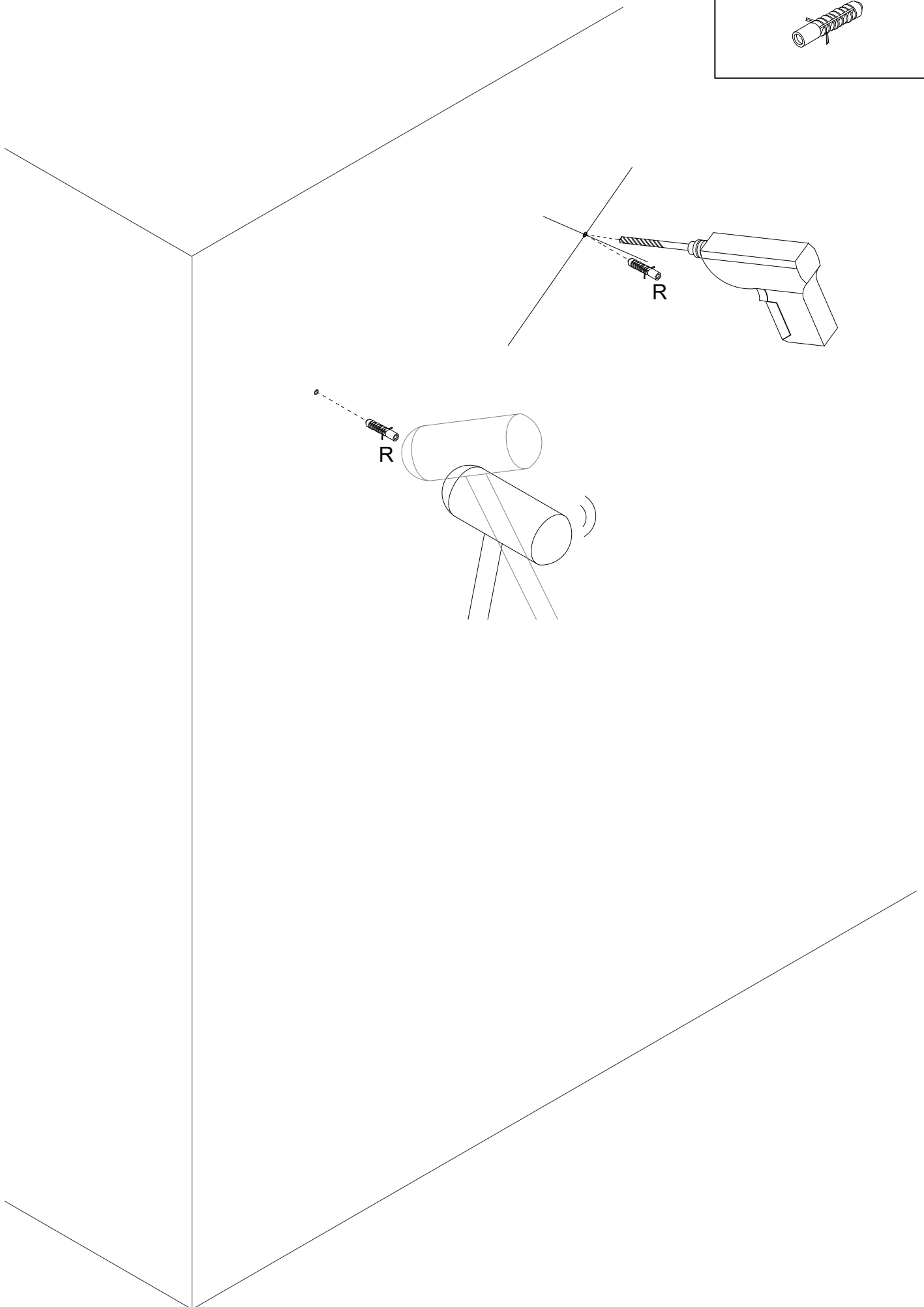


STEP 21

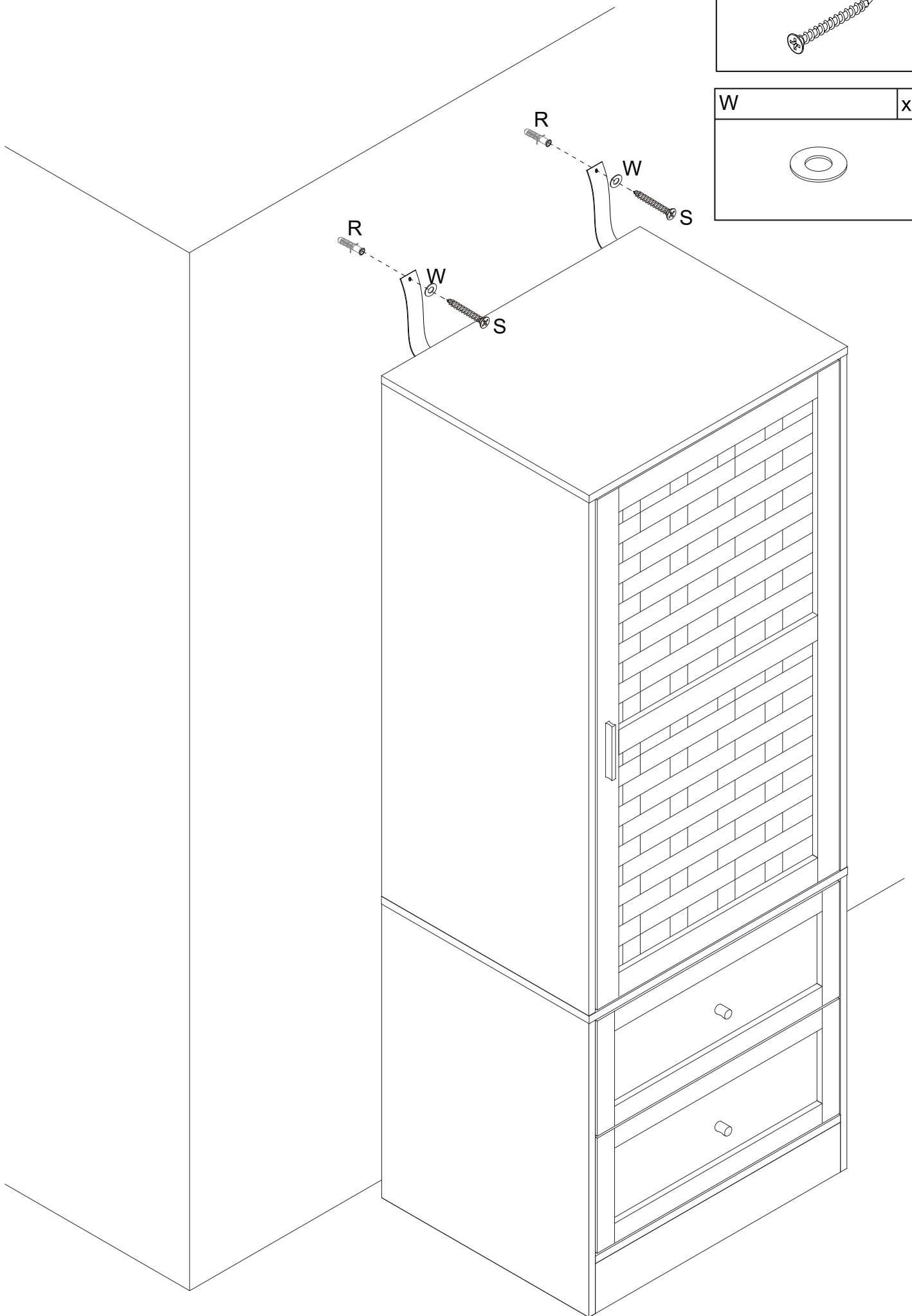
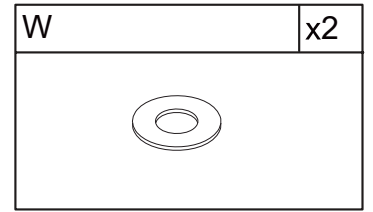
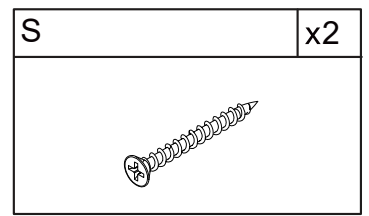


STEP 22

R	x 2
	



STEP 23



Proper Use

- DO NOT** use for commercial purposes
- DO NOT** use as a step stool or stand on table
- DO NOT** put hot serving liquid directly on the table top
- DO NOT** leave spilled liquid on the table top
- DO NOT** use table if damaged
- DO NOT** exceed weight limit
- DO NOT** make temporary repairs
- DO NOT** use outdoor