

DROP LEAF TABLE

Dining Table





Examine all packaging material for small parts that may have come loose during shipment. Periodic checks are recommended to insure that all components are in proper position, tight and free from damage. Keep this assembly instruction for future reference. Adult assembly is required.

HARDWARE LIST

- A (8) 5/16" x 2 1/2" Hex Bolts
- B (8) 5/16" Spring Washers
- C (8) 5/16" Flat Washers
- D (1) Open End Wrench

PARTS LIST

- E (1) Table Top
- F (4) Legs

PART	QTY	HARDWARE	PART	QTY	HARDWARE
A	8		B	8	
C	8		D	1	

STEP 1

With the help of a friend, place Table Top (E) face down, on a clean smooth surface.

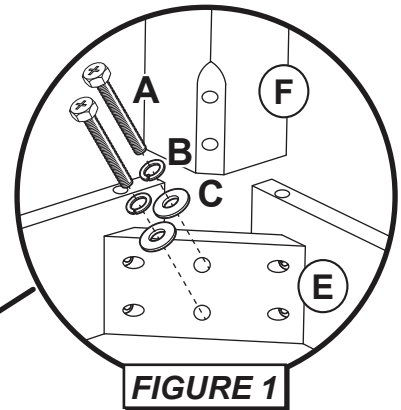
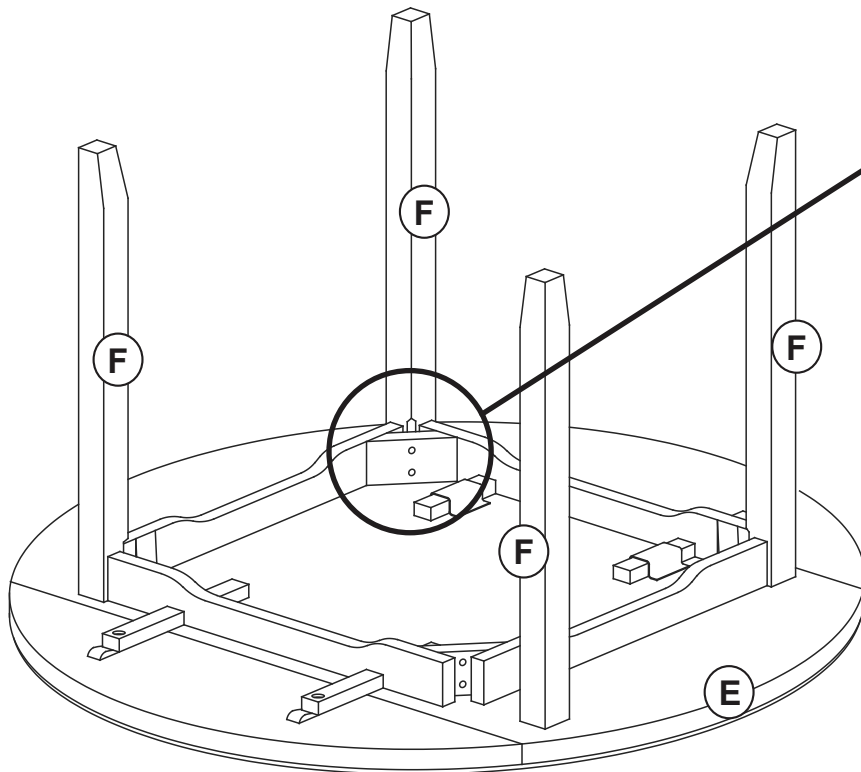
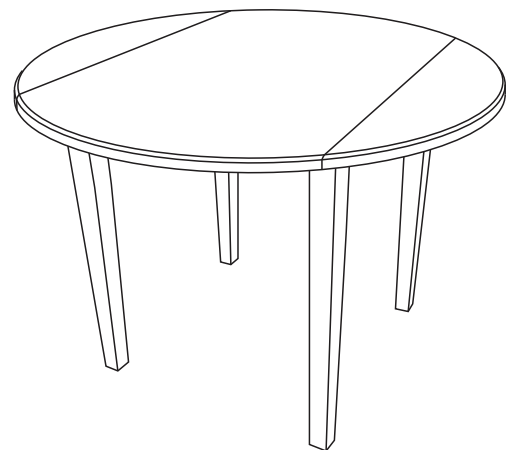


FIGURE 1

STEP 2 - Figure 1

Attach each Leg (F) to bottom side of Table Top (E) using 2 Bolts (A), 2 Spring Washers (B) and 2 Flat Washers (C). Tighten all bolts with Open End Wrench (D) provided. The assembly is now complete.



CARE & MAINTENANCE: The touch of a soft cloth is all the maintenance the finish will ever need. Please do not use harsh or abrasive cleaners for polishing, as they may cause damage to the finish. Periodic checks are recommended to make sure that all hardware is securely tightened.