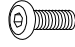
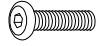

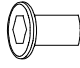
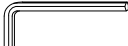
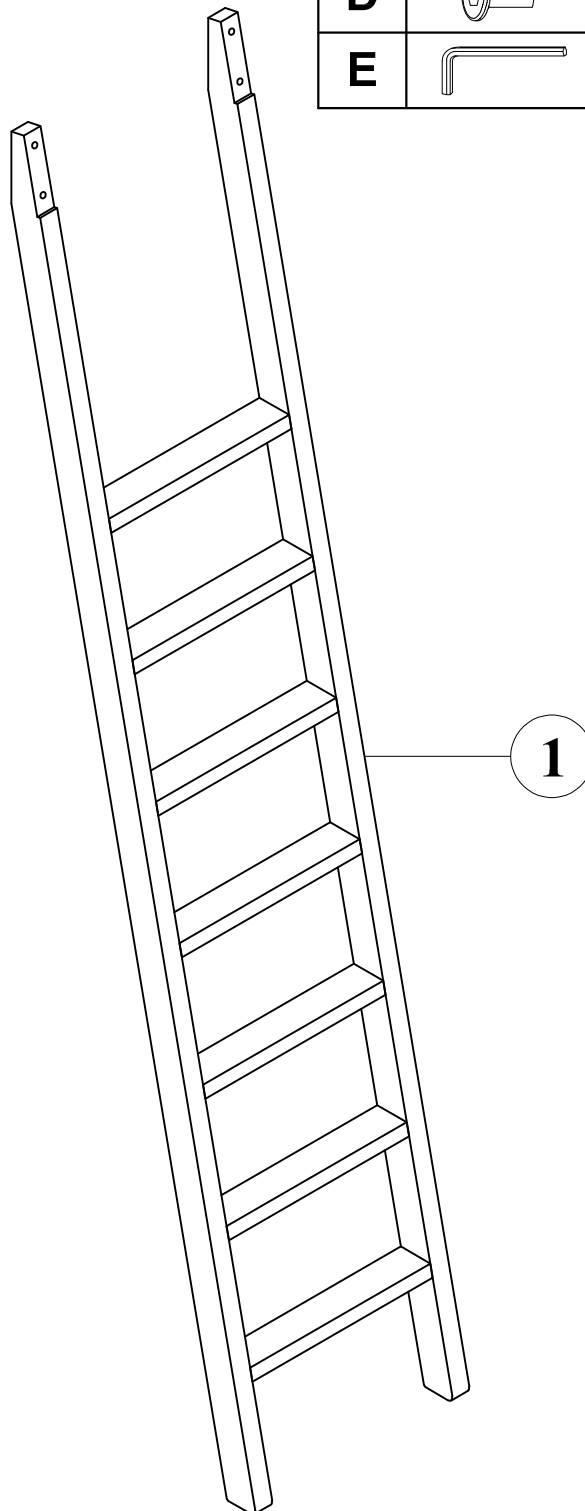
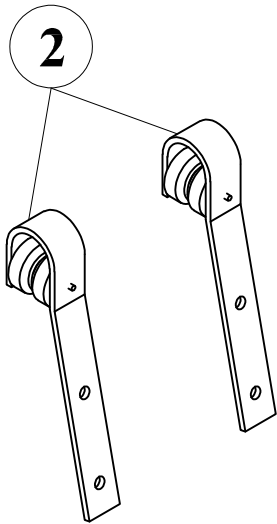


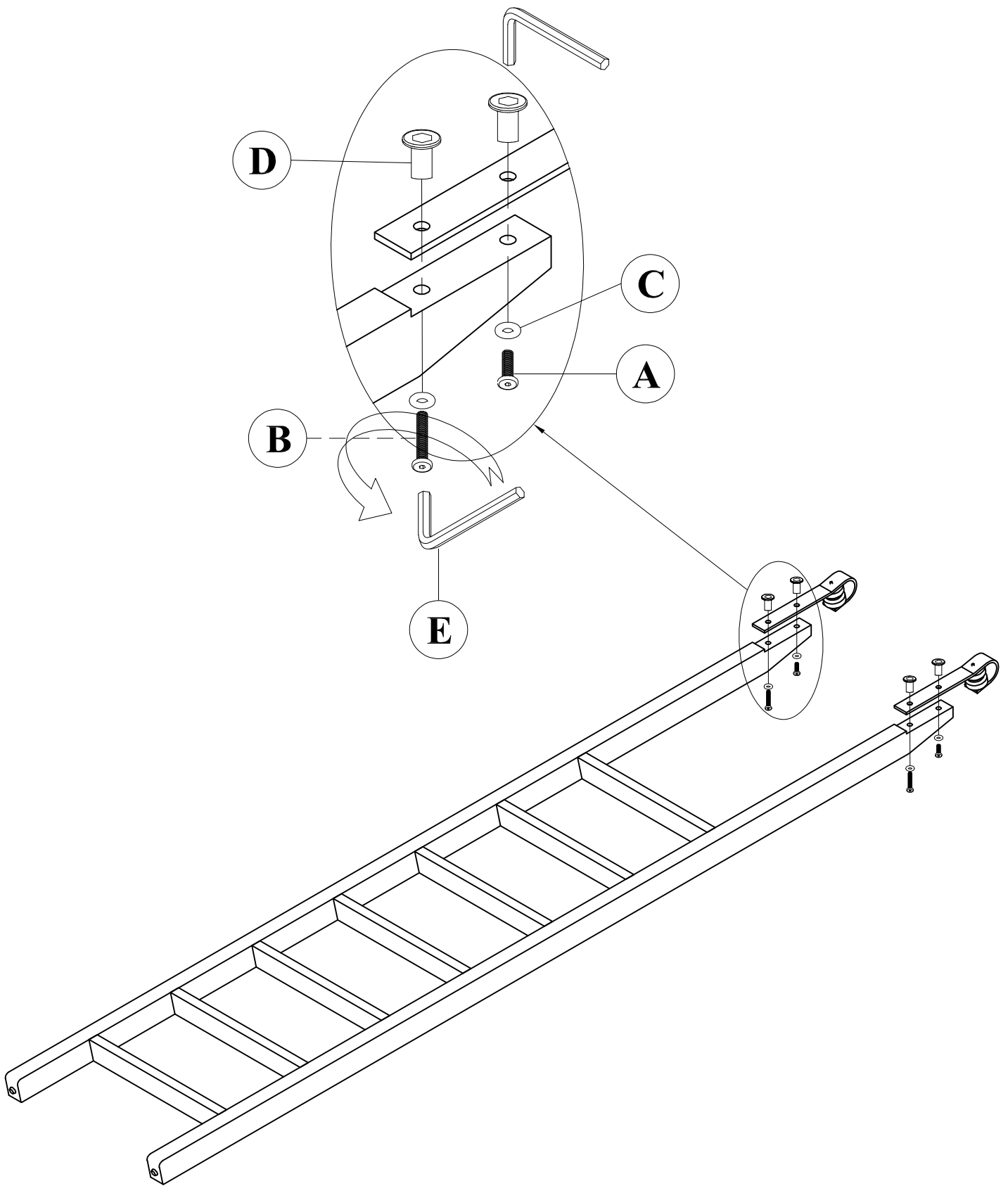
ASSEMBLY INSTRUCTION FOR LADDER

Hardware List

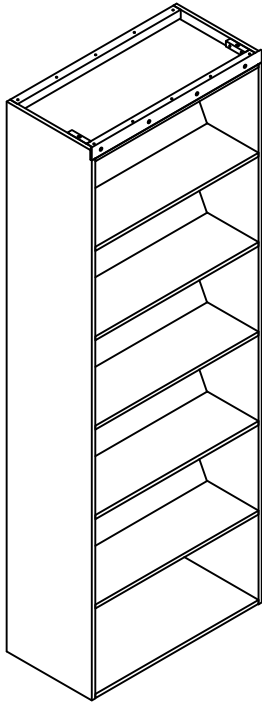
A		Bolt	Ø8x30	2
B		Bolt	Ø8x45	2
C		Flat Washer	Ø8x19	4
D			Ø8x15	4
E		Allen Key	Ø4	1



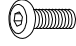

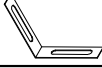

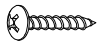




Step 1

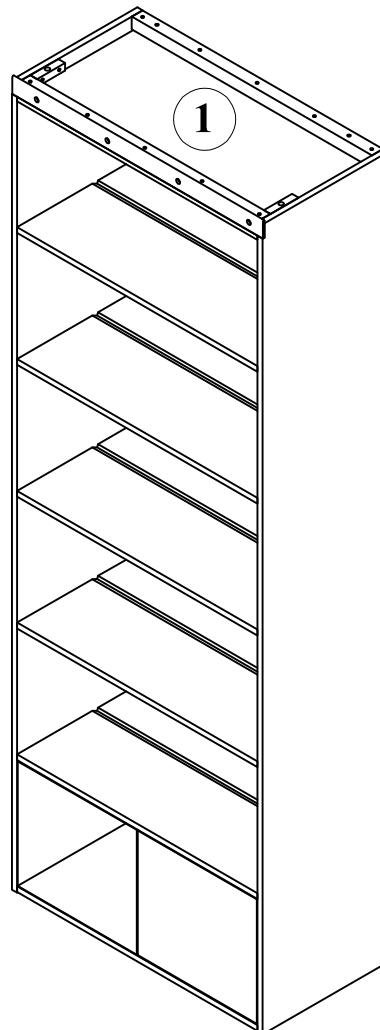
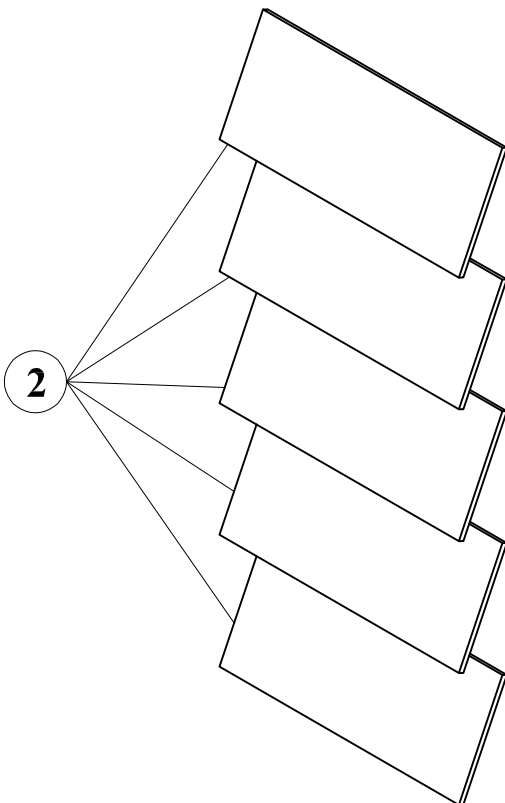


ASSEMBLY INSTRUCTION FOR BOOKSHELF

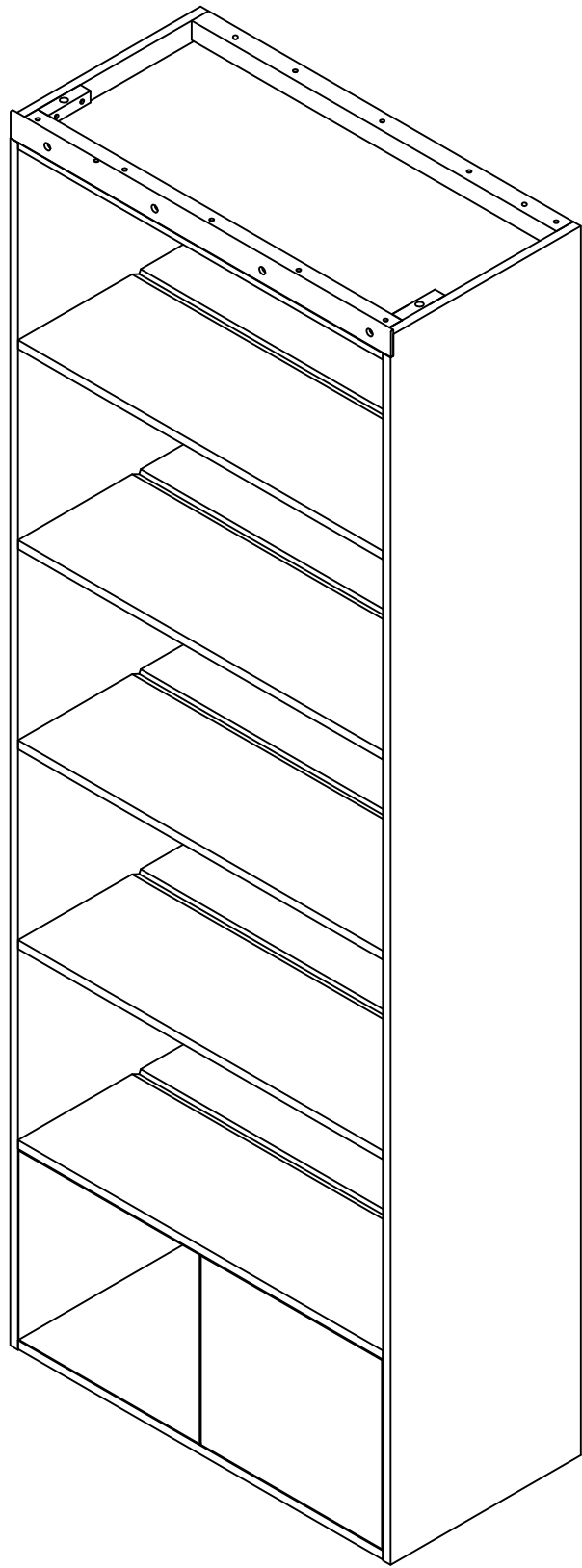
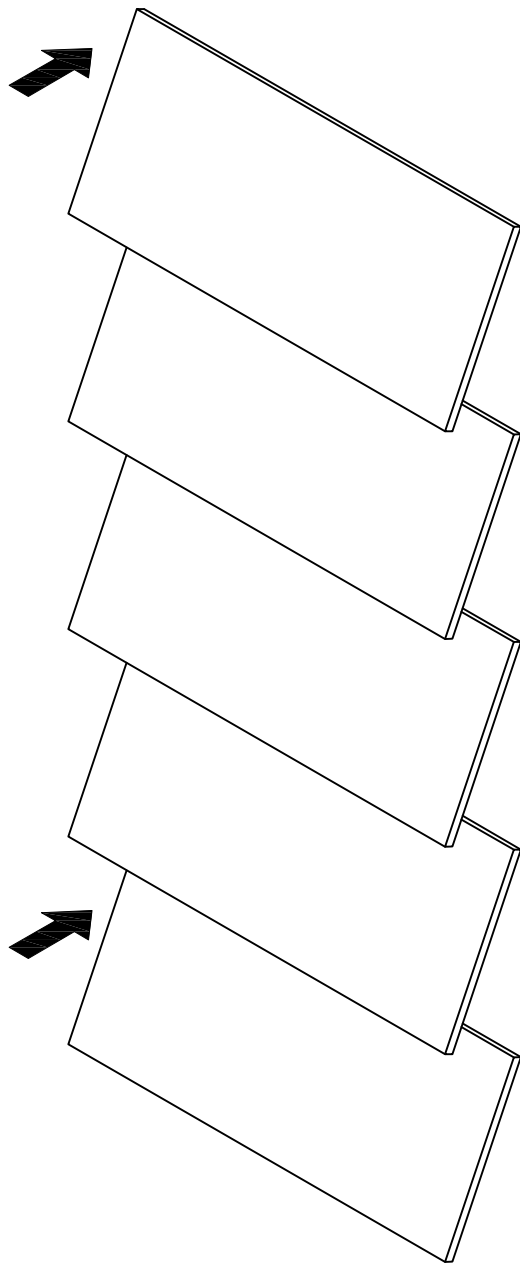


Hardware List

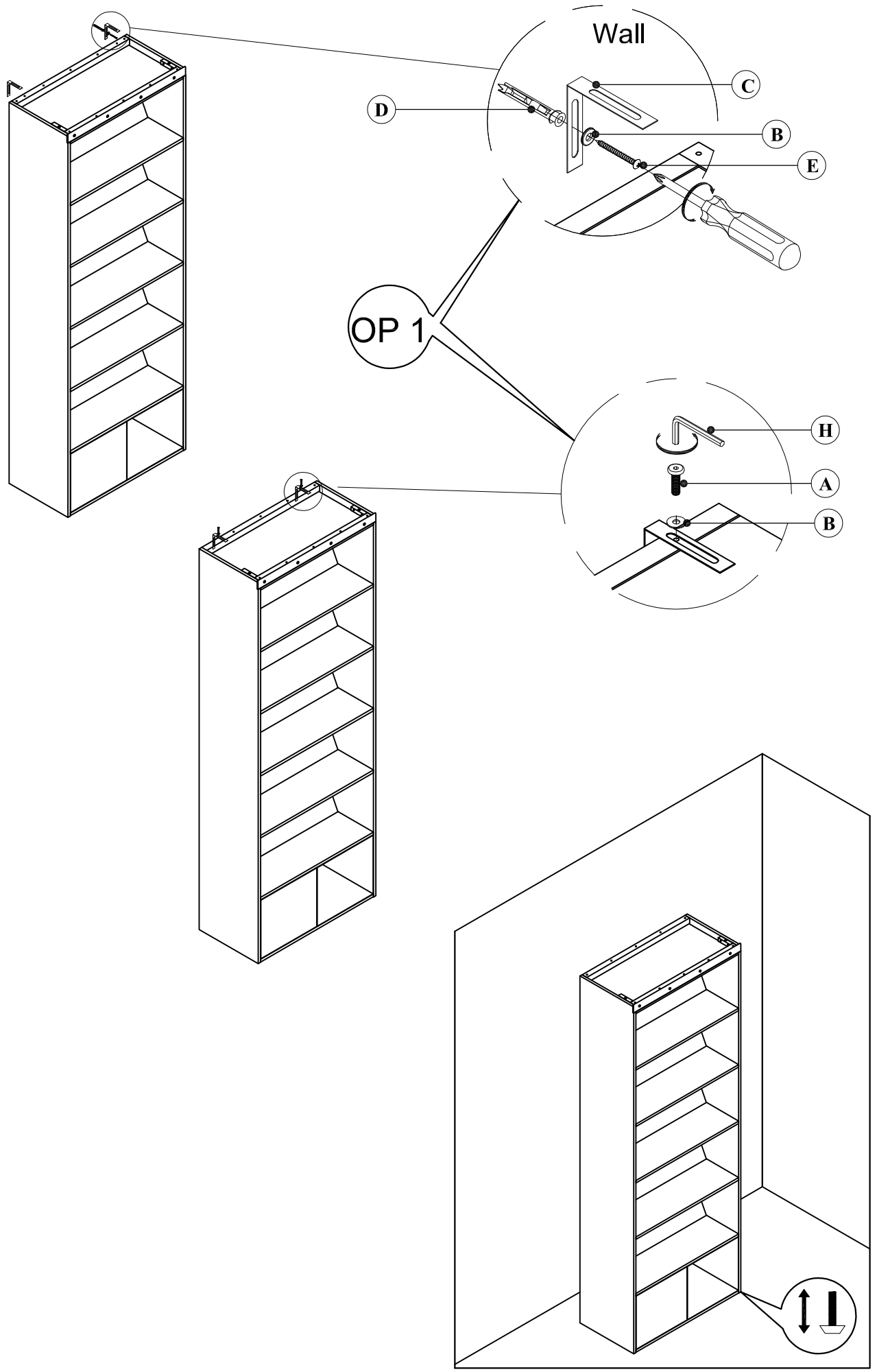
A		Bolt	Ø6x20	2
B		Flat Washer	Ø6x16	6
C			15x76x76	2
D				2
E		Screw	4x50	2
F		Bolt	Ø6x20	2
G			25x82	1
H		Allen Key	Ø4	1
I		Tip-on	7x30mm	8



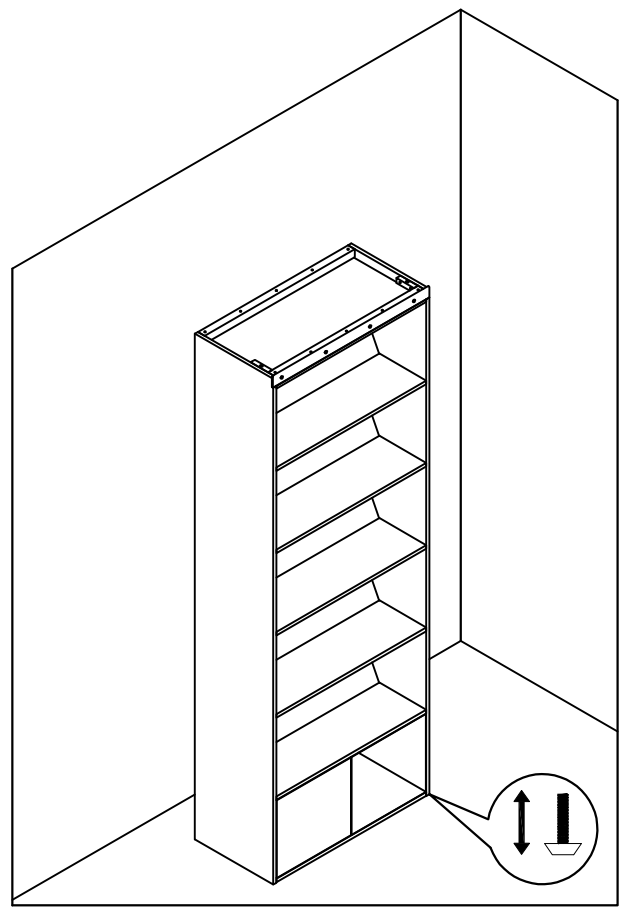
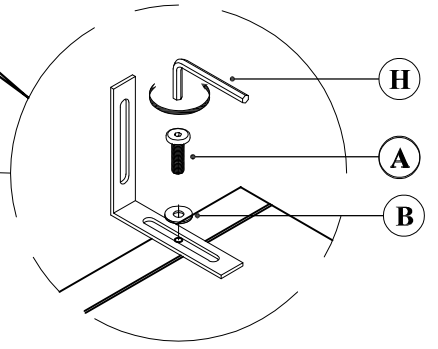
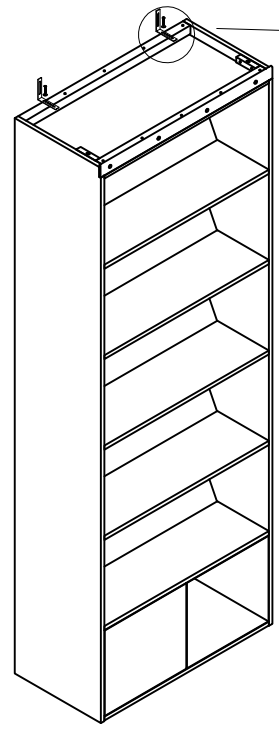
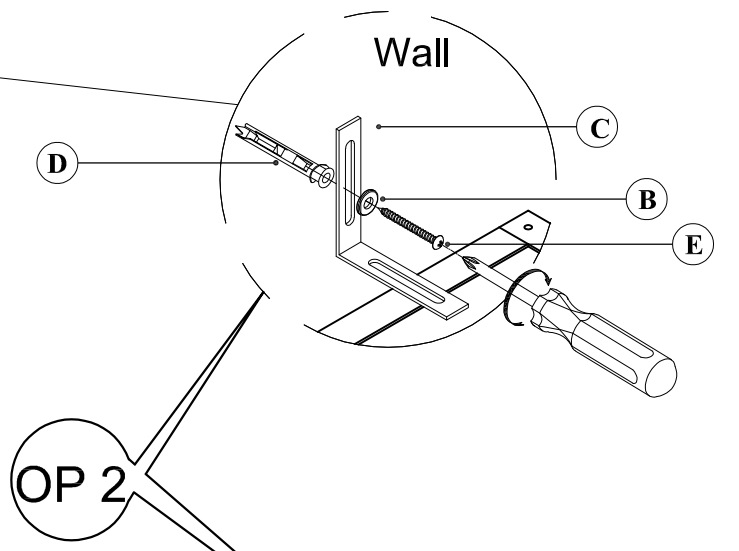
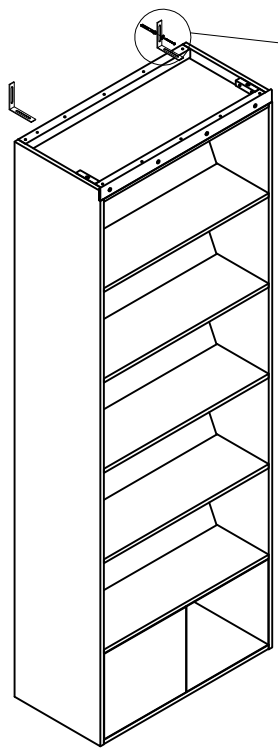
Step 1



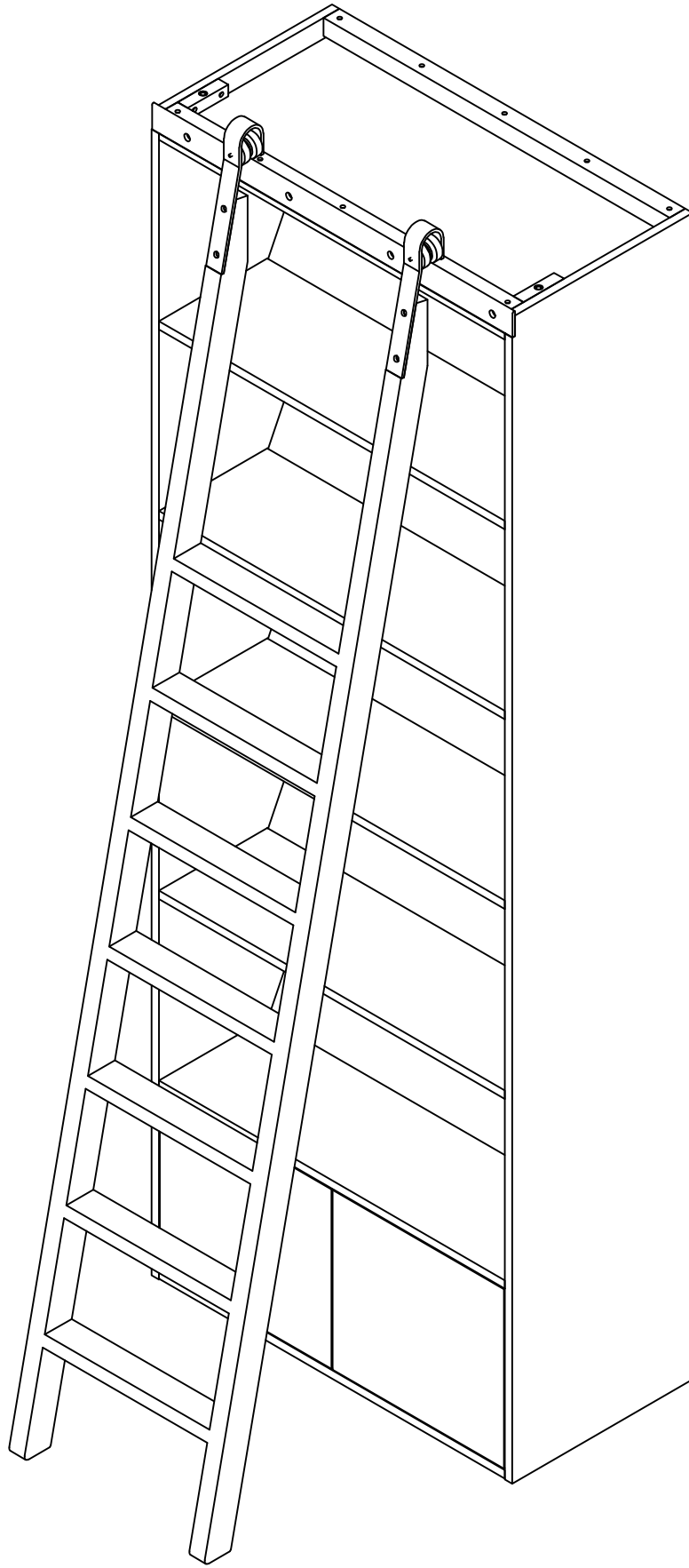
Step 2



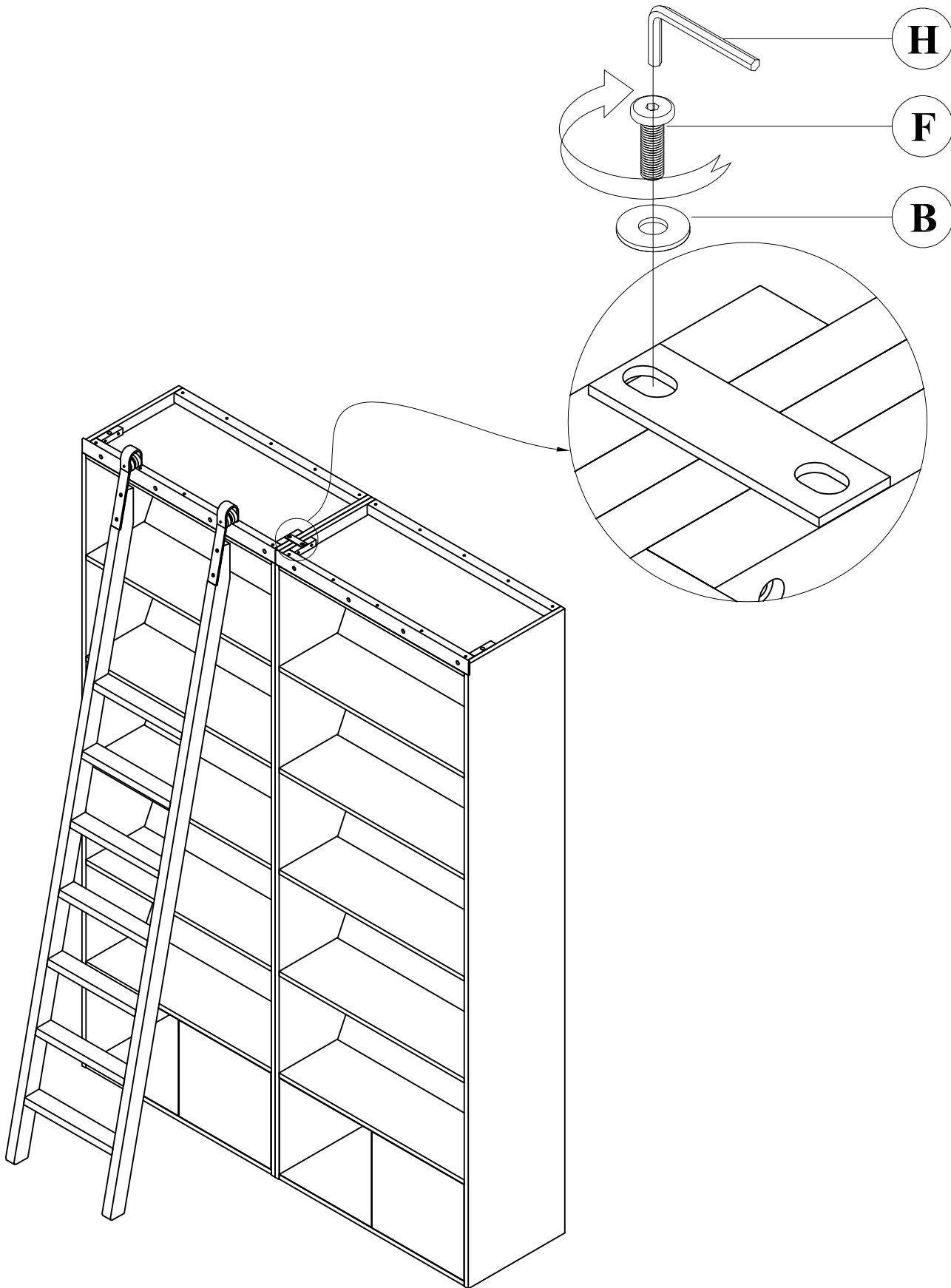
Step 2

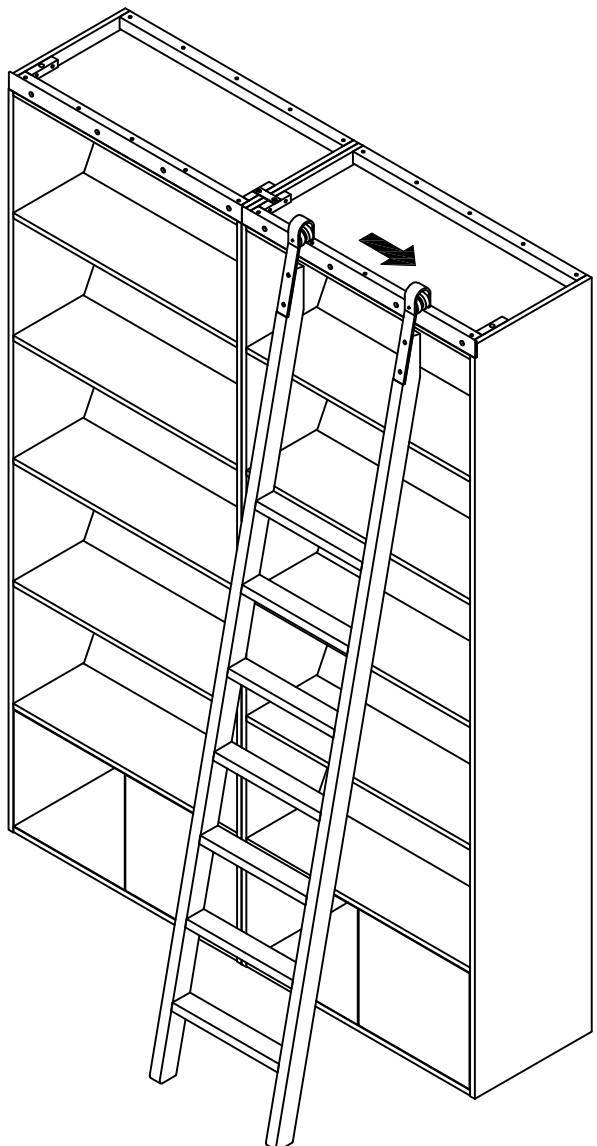
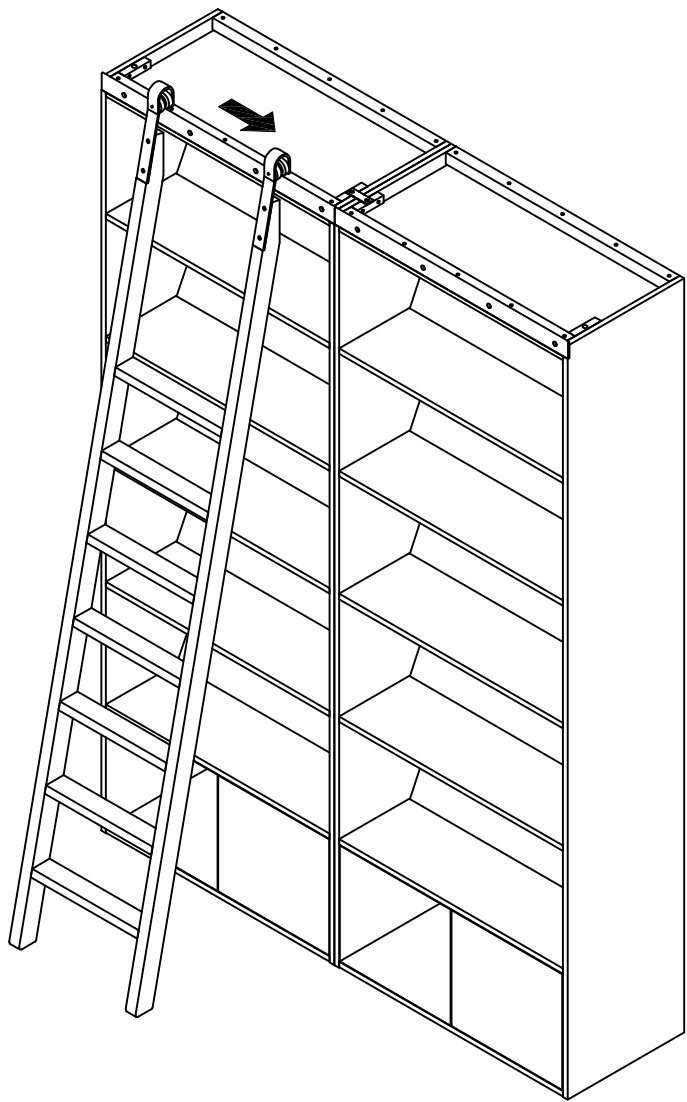


Step 2

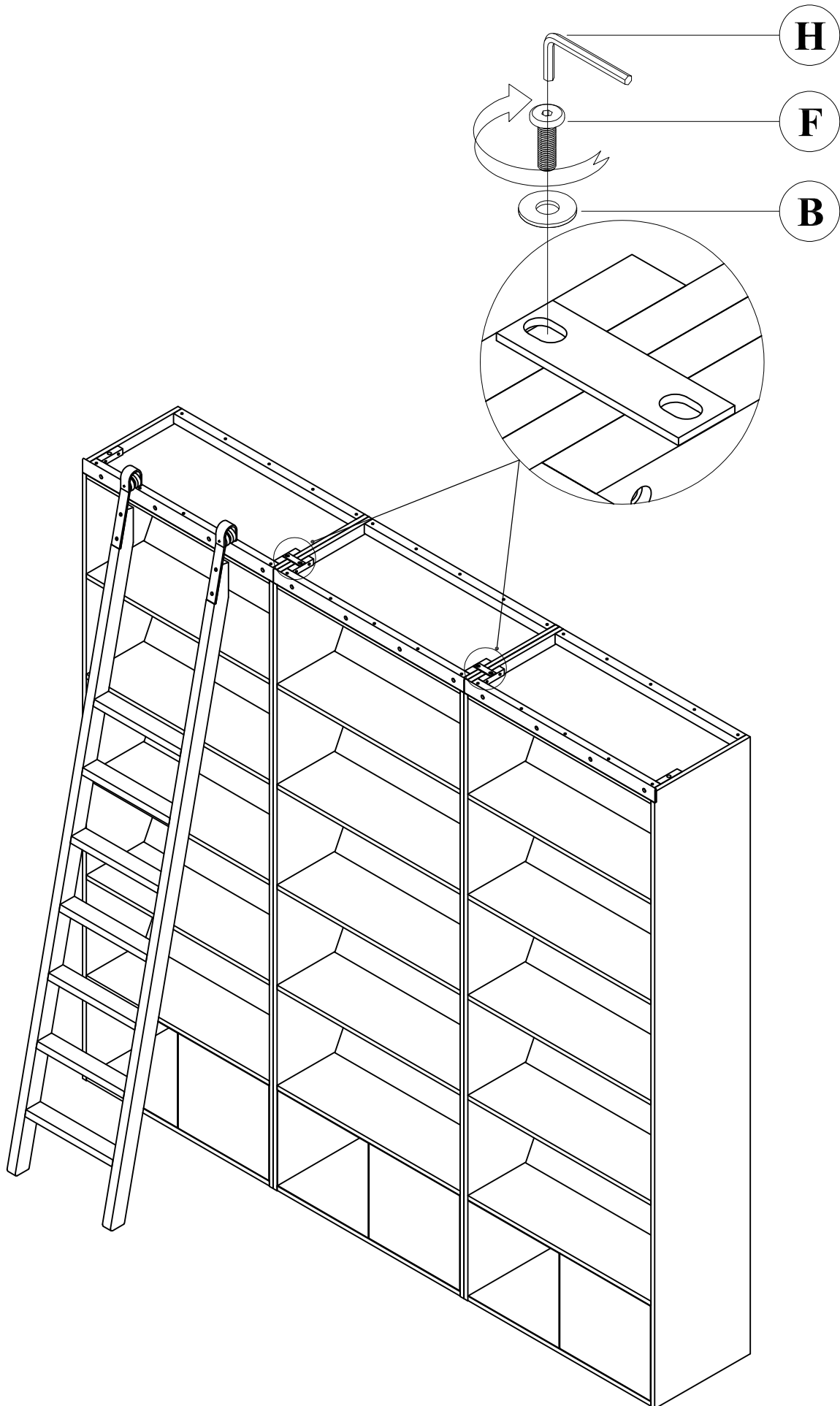


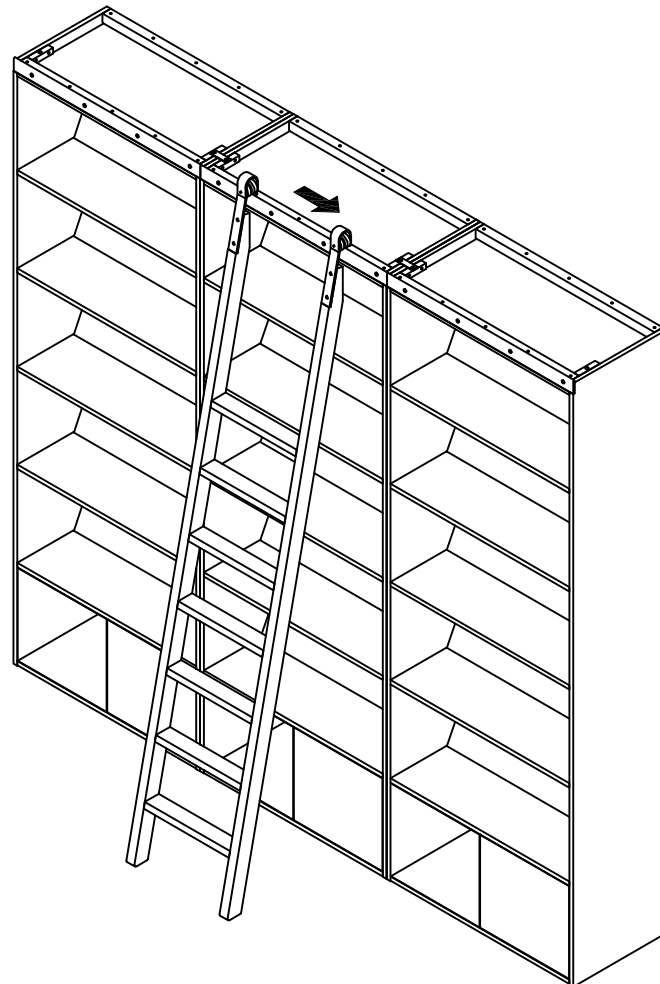
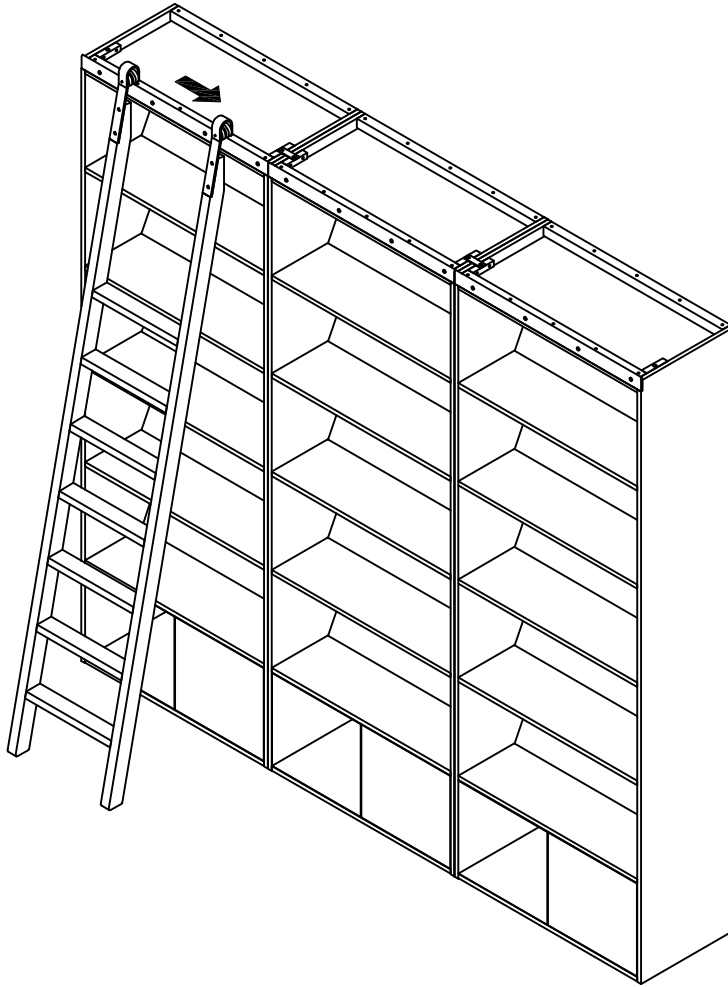
DOUBLE BOOKSHELF



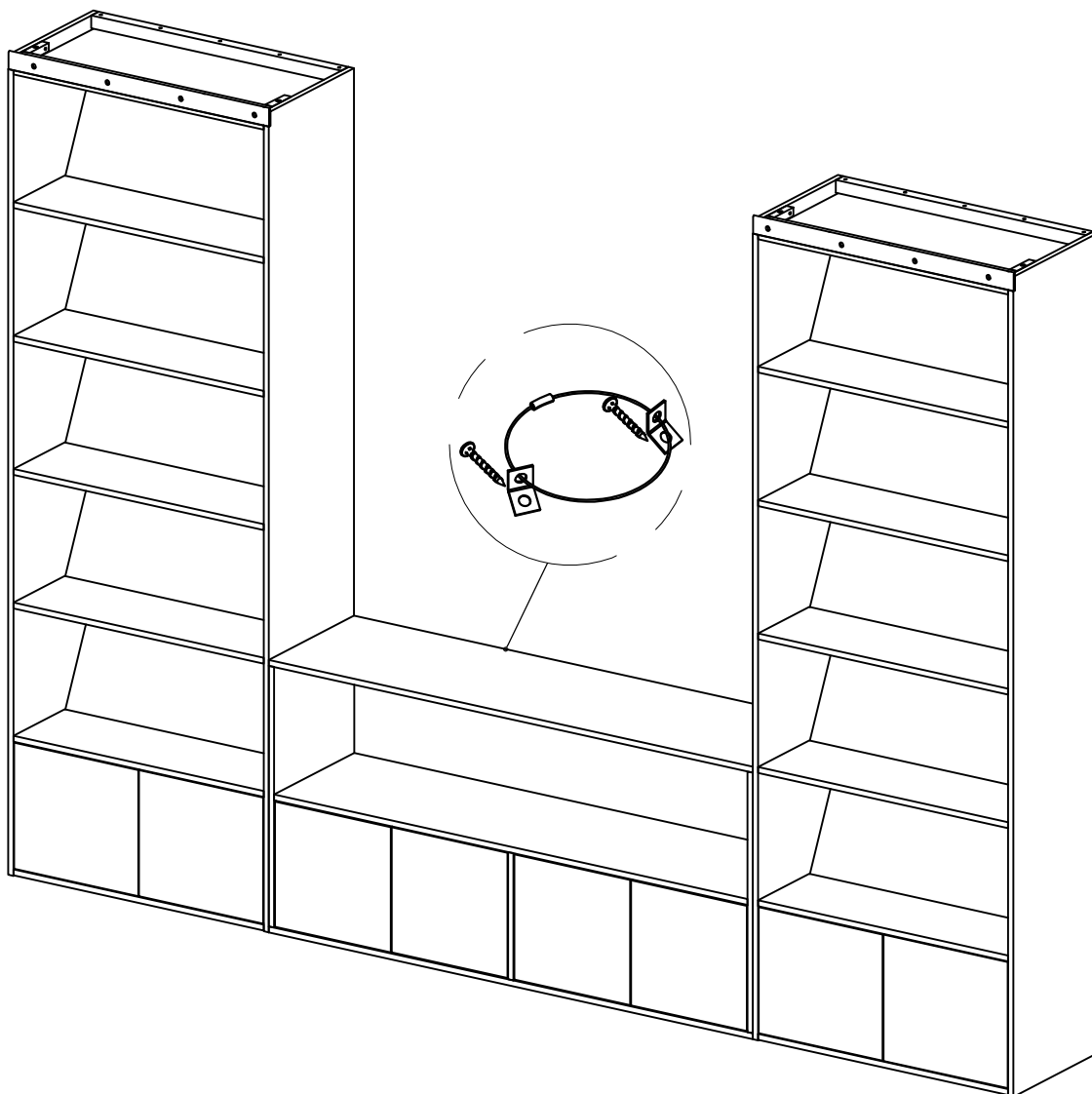
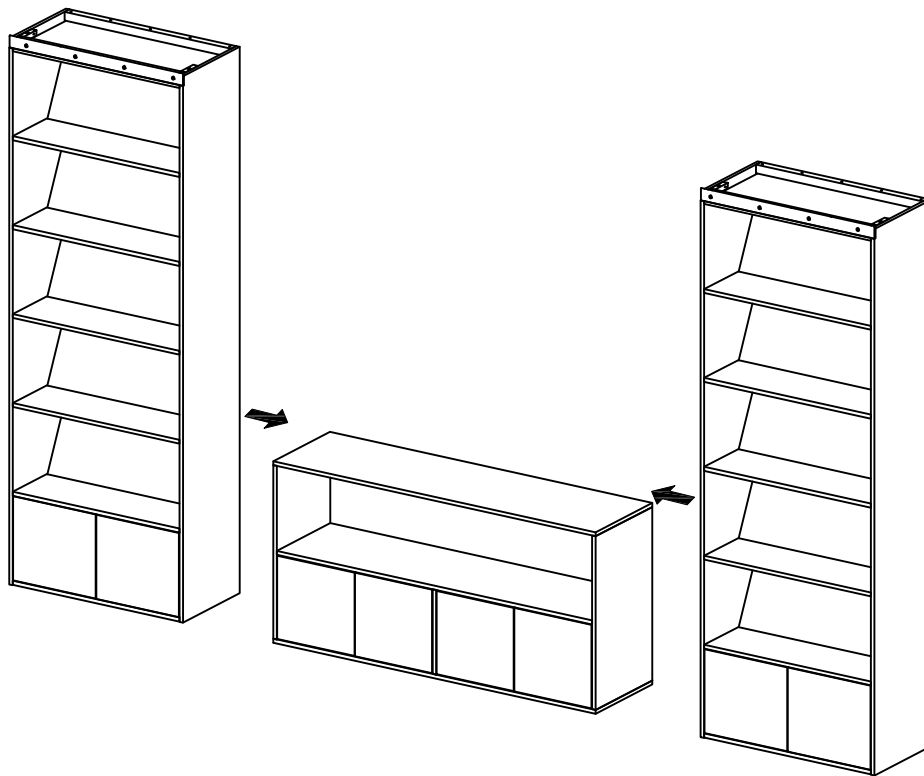


TRIPLE BOOKSHELF

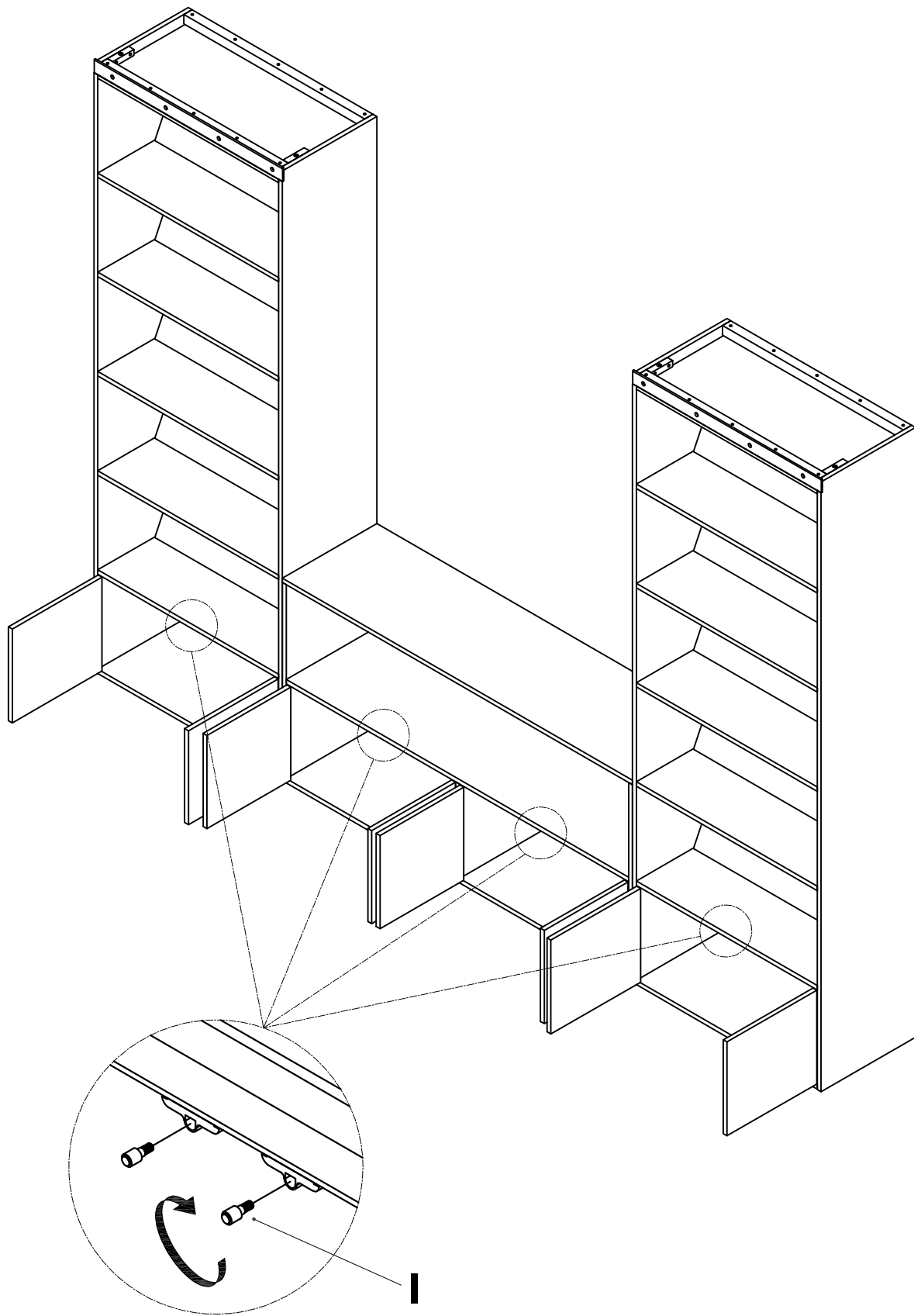




BOOKSHELF WITH MEDIA UNIT

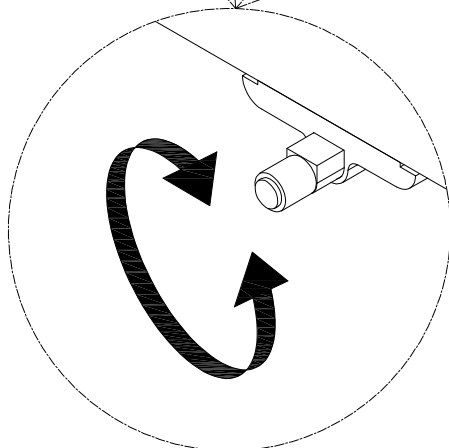
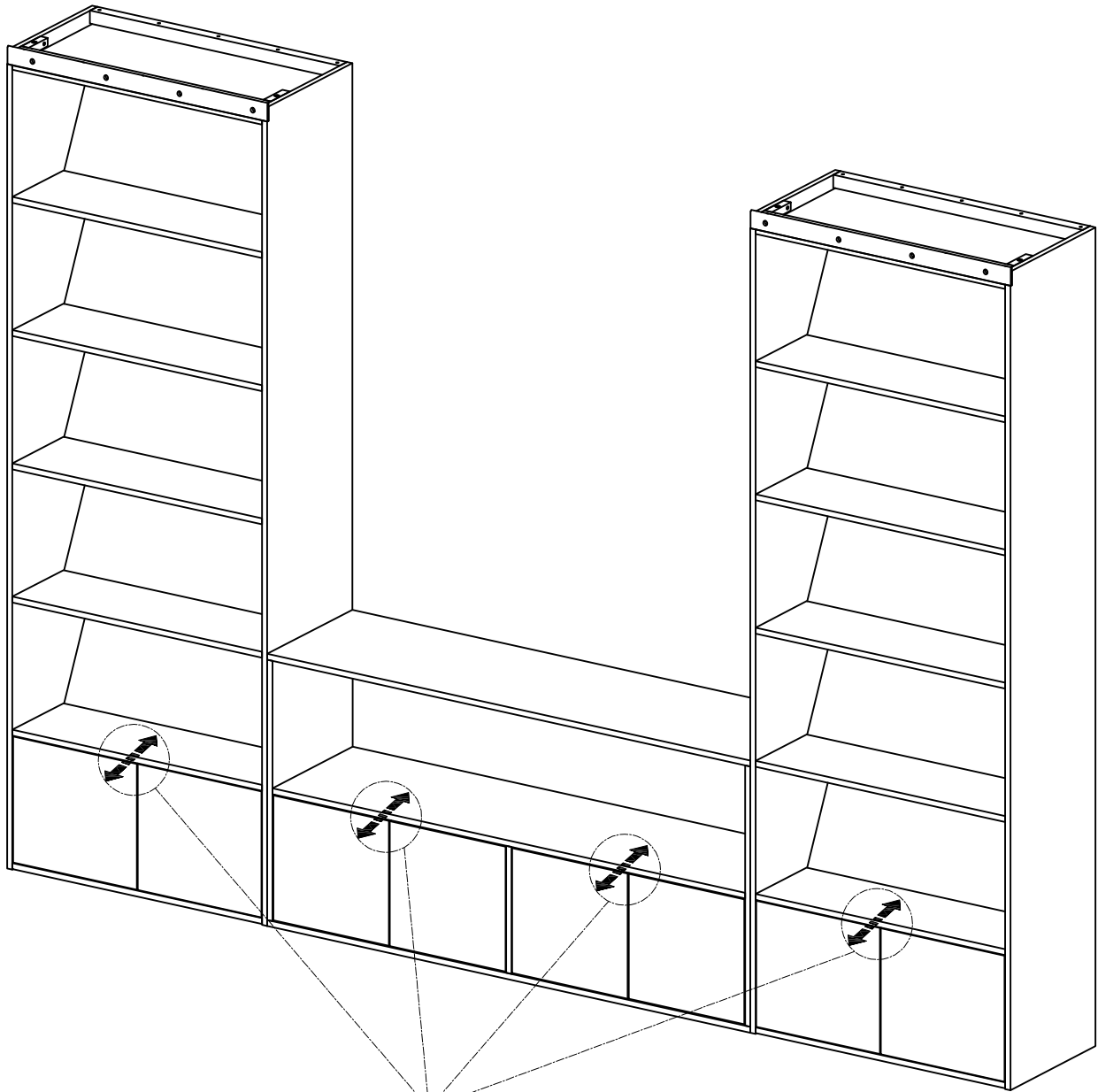


BOOKSHELF WITH MEDIA UNIT



USER MANUAL

Adjust (turn) the tip/on until the door operates smoothly



★ REMARK: There is a tip restraint kit provided on the back of this product please read the direction thoroughly and install immediately

