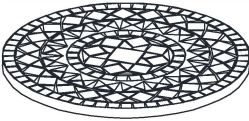
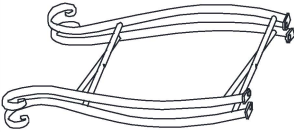


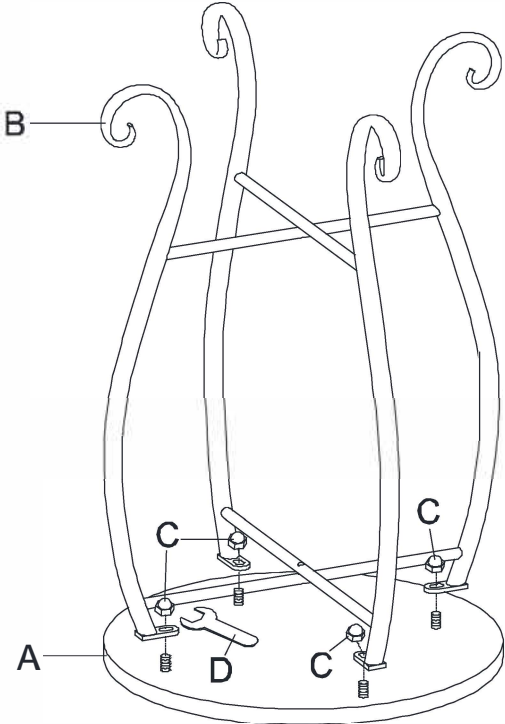


# ASSEMBLY INSTRUCTION

 <p>A×1PC</p>	 <p>B×1PC</p>	 <p>C×4PCS</p>	 <p>D×1PC</p>
--	--	---	--

## Step 1



## Step 2

