

HELP CENTER

Thank you for choosing us to be a part of your life. We value your business, and constantly strive to provide you only top-quality products and services. Contact us if we can be of further assistance, we'd love to hear your advice.



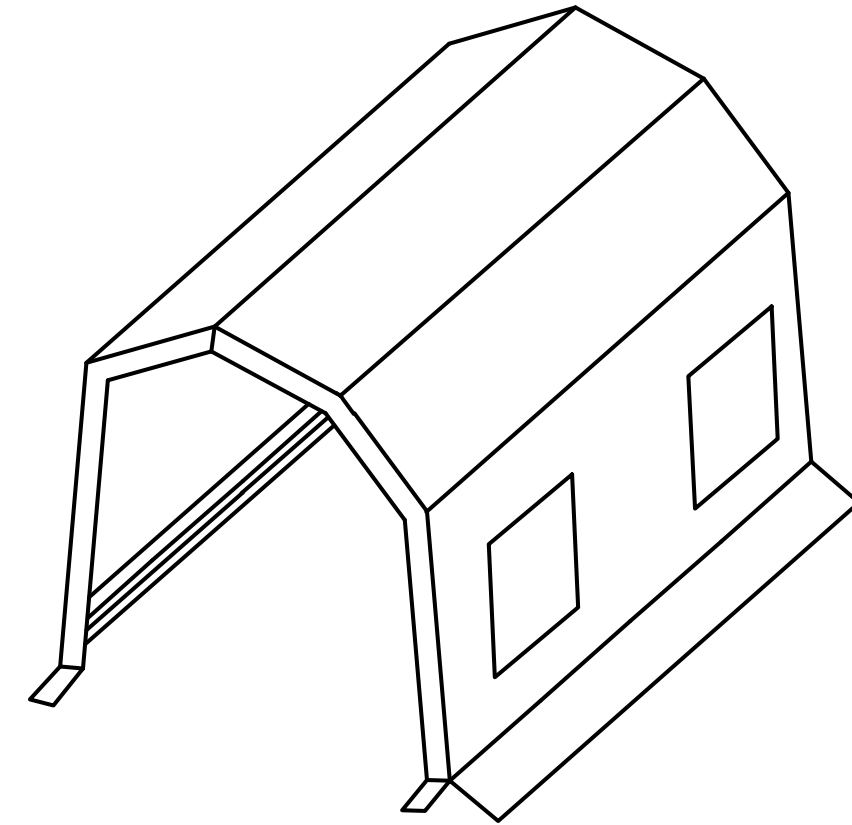
Warm Tips:

1. If you need any help or received damage or missing parts, please feel free to contact our customer support.
2. Please check the pack content before attempting to construct the Green house.
3. Read them manual carefully and familiarise yourself with the Procedure before assembling it.
4. Please do not locate the Product in the area exposed to excess winds.
5. It is recommended that the green house to be assembled by at least two people.

WARNING

Manufacturer and seller expressly disclaim any and all liability for personal injury, property damage, or loss, whether direct, indirect, or incidental, resulting from the incorrect attachment, improper use, inadequate maintenance, or neglect of this product.

12X24 ft Carport INSTRUCTION MANUAL



SKU : YCP001A1-A01 (BOX1/2)
YCP001A1-A02 (BOX2/2)

Arrive in 2 separate boxes and may not be part of the same shipment;

Please install the product after receiving all the packages

Email Address: support@wepatio.com

Tel: +1(901)347-2181

Service Time: 8 am-5 pm (central time) Monday-Friday. If no one picks up,

please call several more times



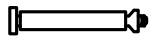

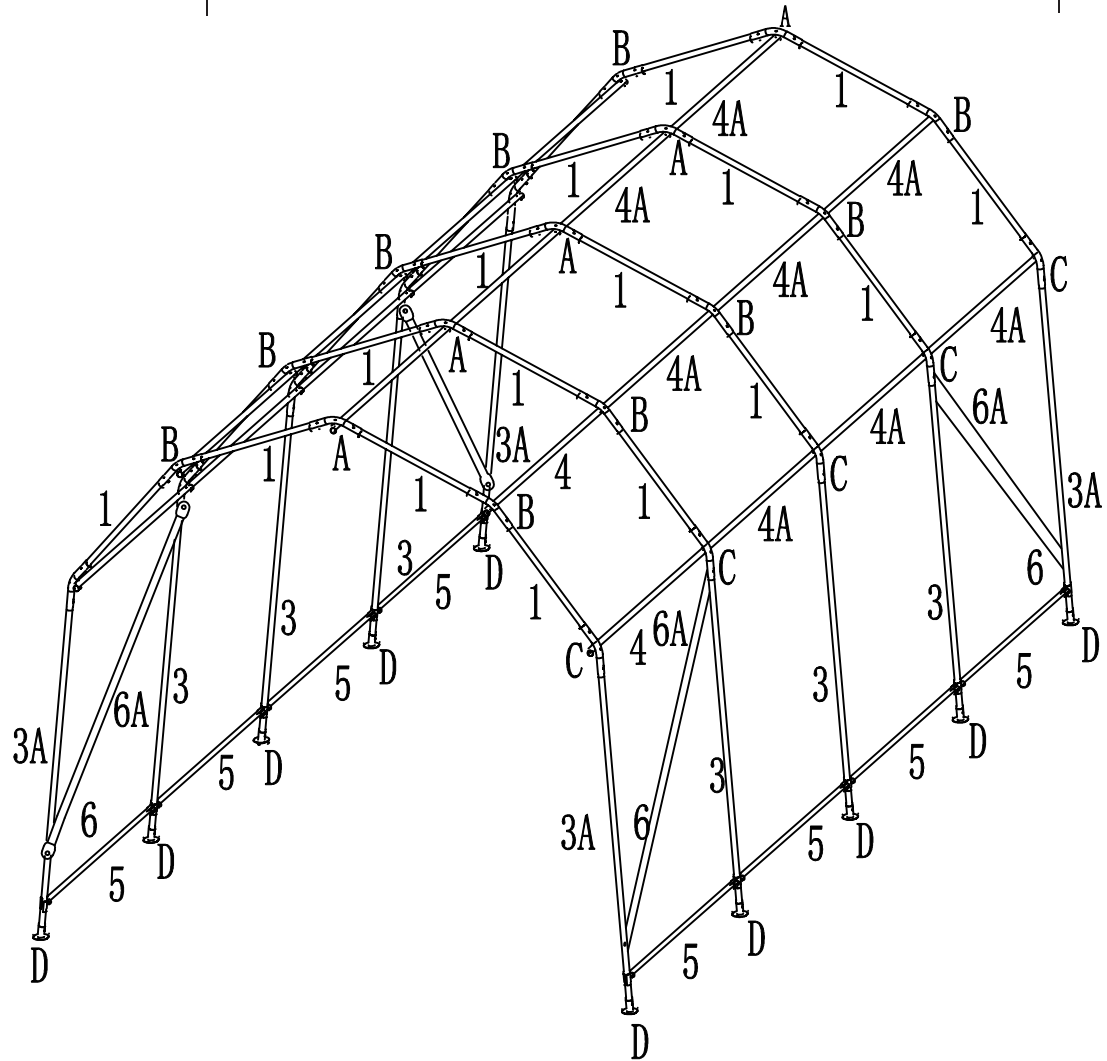


Pre-installation Notes:

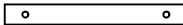
1. Assembly requires three or more people.
2. It is recommended to use a ladder during assembly.
3. Ensure all necessary accessories are prepared before assembly.
4. Assembly is not recommended during heavy wind or rain.
5. Assembly is recommended on level ground.

Item no.	Reference Image	Qty.
1		X20
3		X6
3A		X4
4		X5
4A		X15
5		X8
6		X4
6A		X4
A		X5
B		X10
C		X10
D		X10

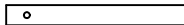
Item no.	Reference Image	Qty.
E		X8
E1		X12
O		X4
F		X56
G		X25
H		X16
I		X20
K		X32
M		X1
N		X1
N1		X1
P		X4

Item no.	Reference Image	Qty.
		X4
	 M8*60mm	X20
	 M6/M8	X2
 <p>It's best to pre-locate and lay out all the profiles on the ground before proceeding with the installation</p>		

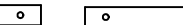
1



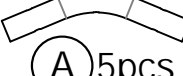
1 10pcs



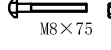
4 1pc



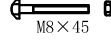
4A 3pcs



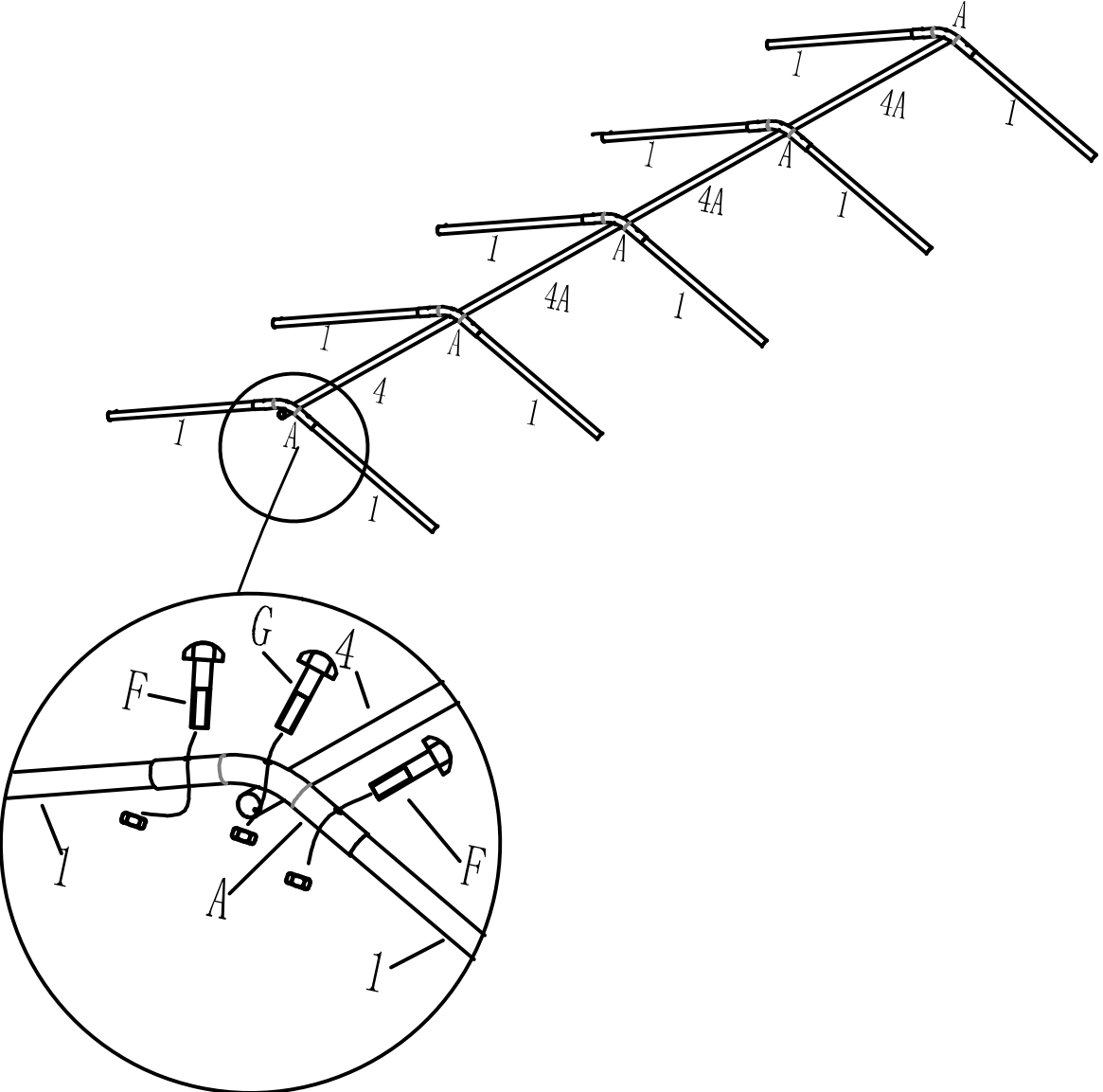
A 5pcs



M8×75
5pcs



M8×45
10pcs



Note: The screws connected in this step must be tightened securely.

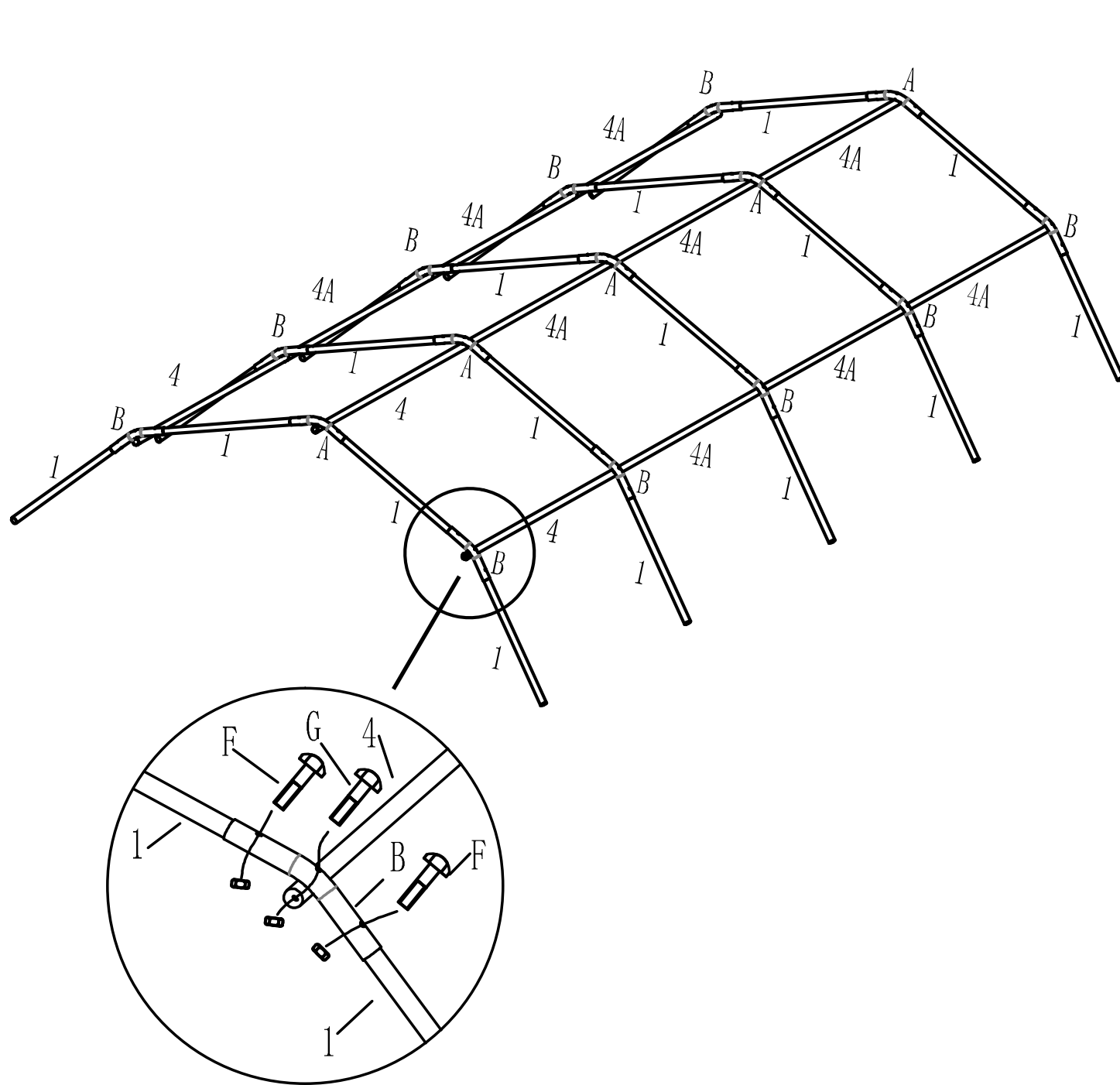
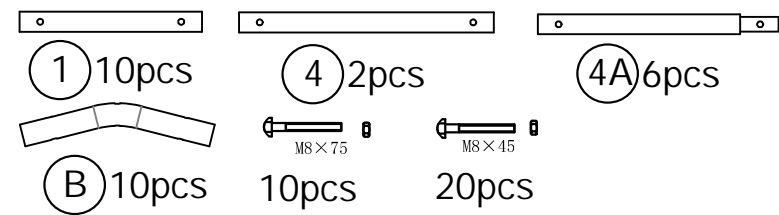
HELP CENTER

ASSEMBLY INSTRUCTIONS

HELP CENTER

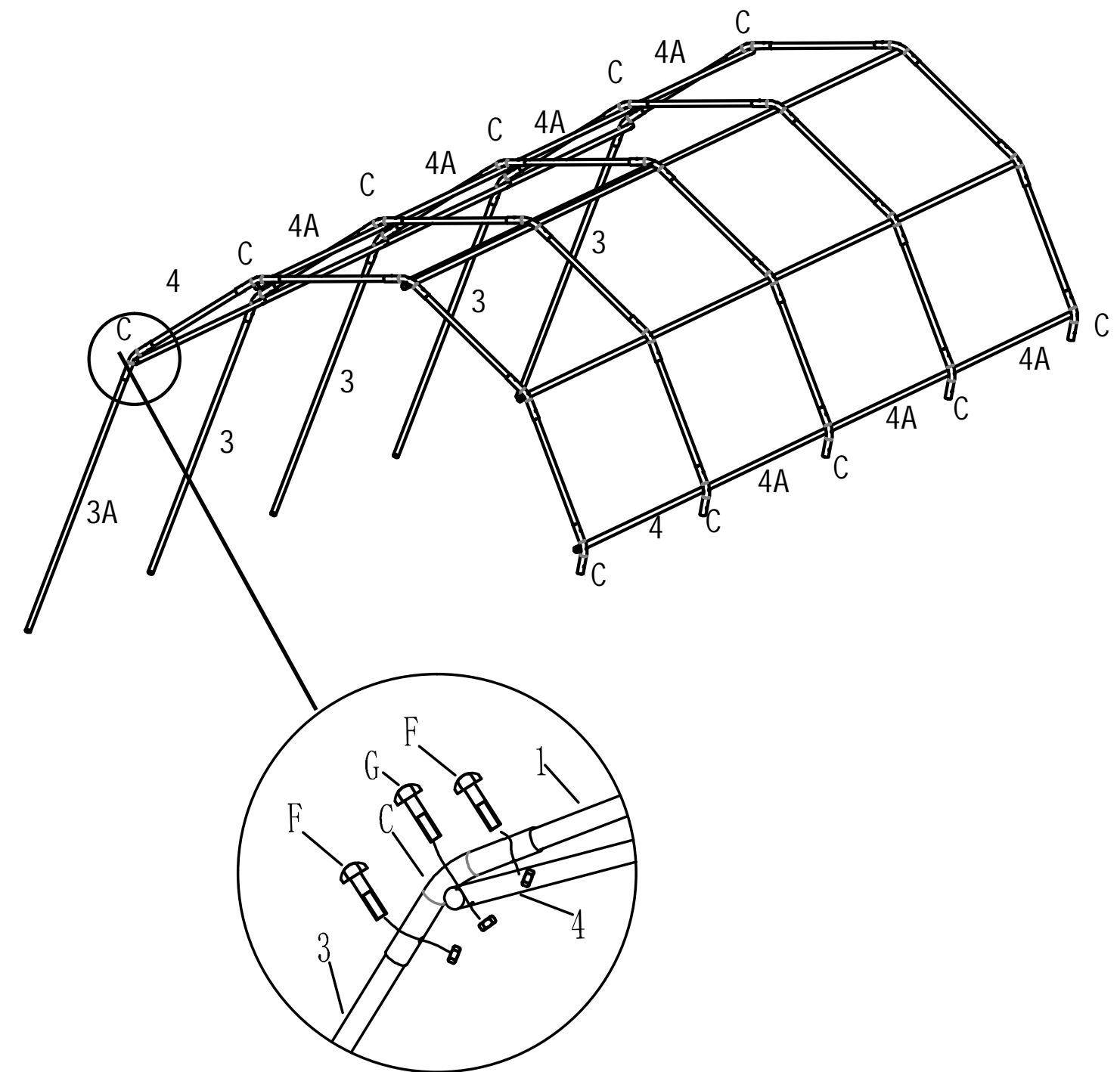
ASSEMBLY INSTRUCTIONS

2



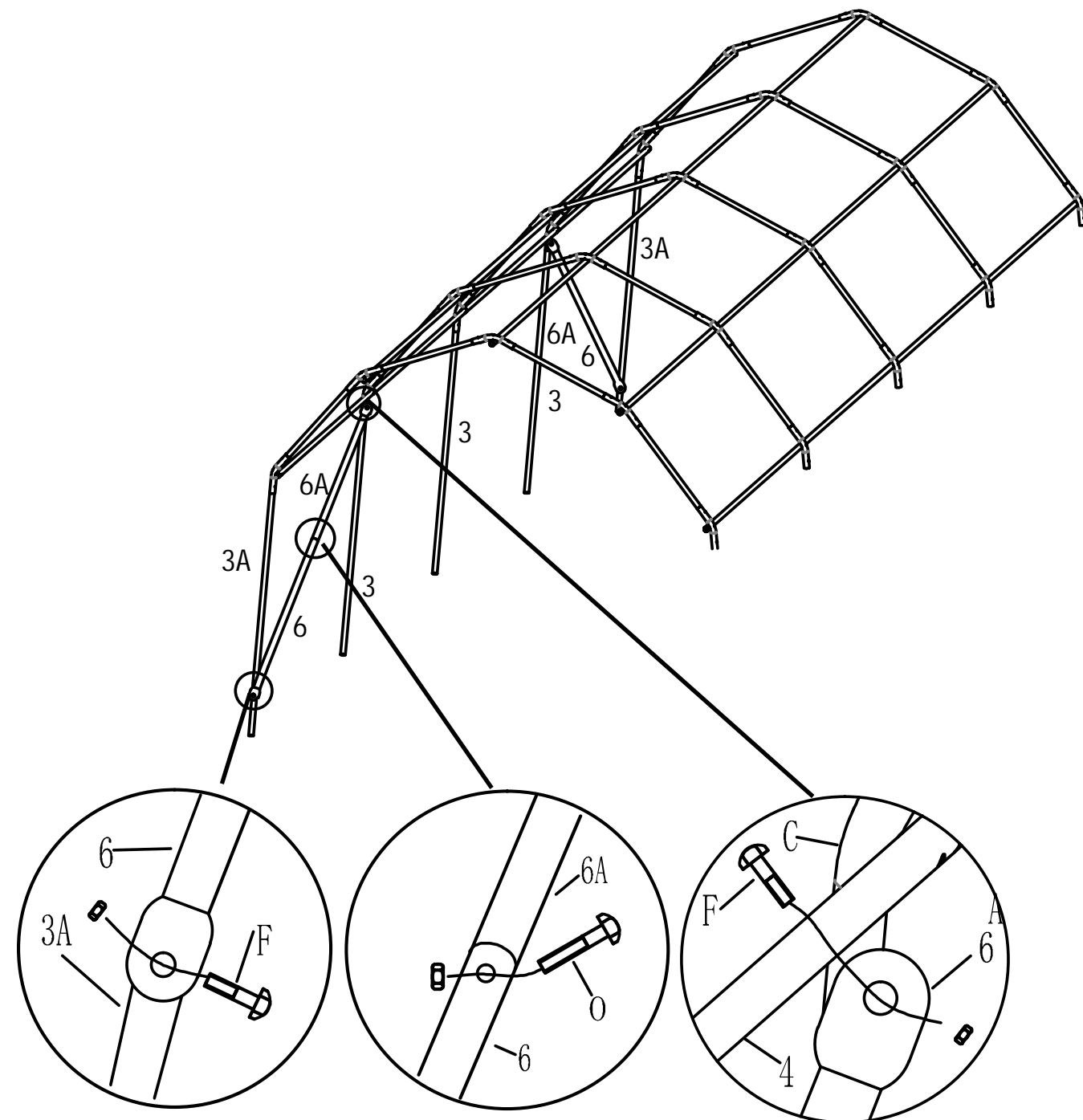
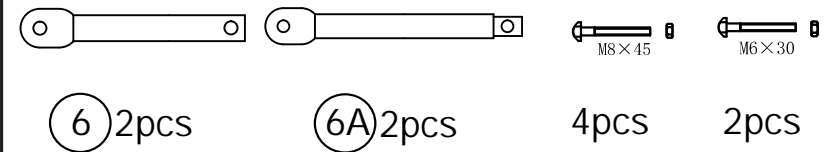
5

3

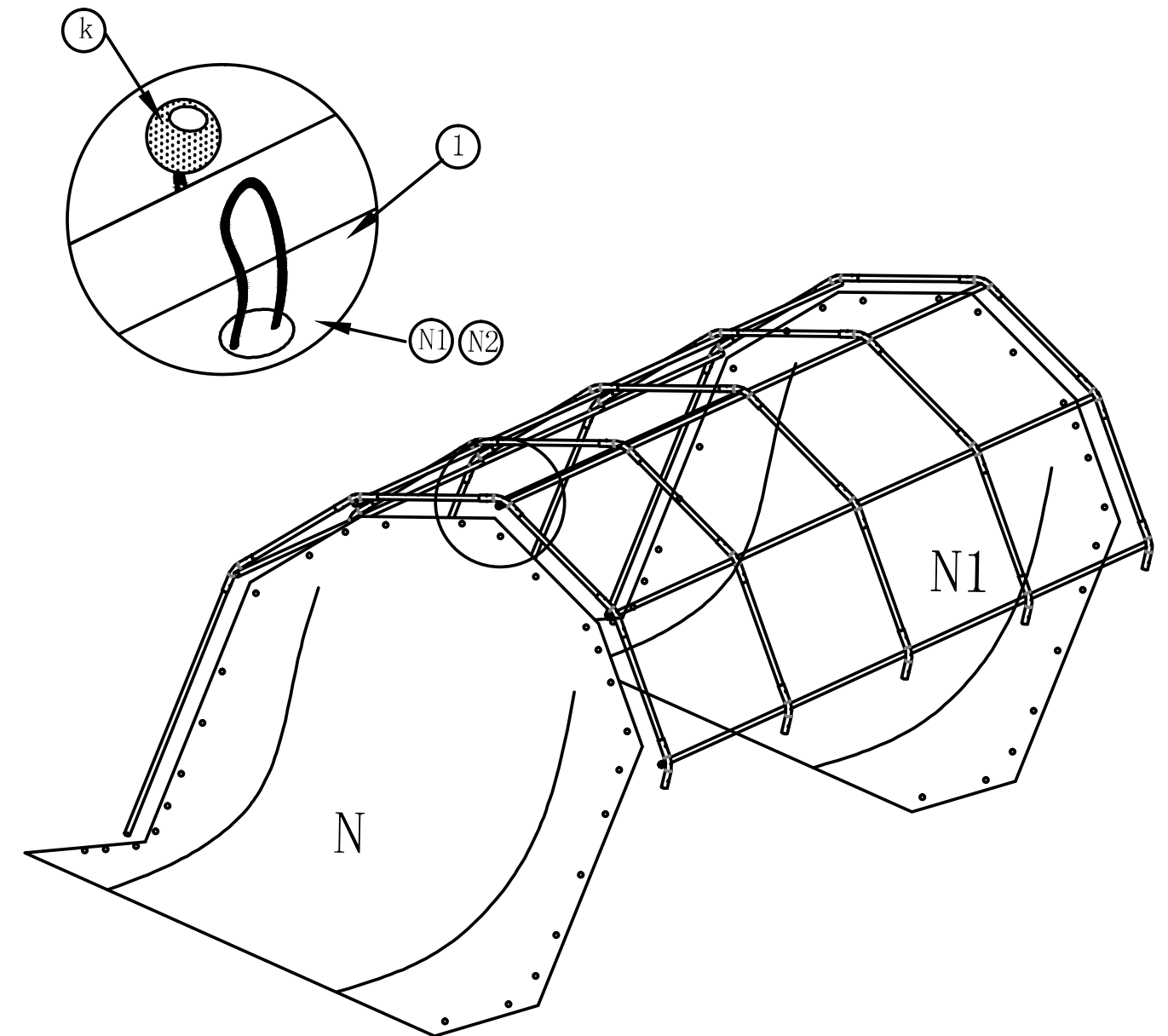
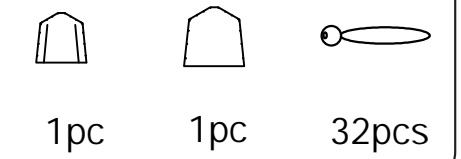


6

4



5

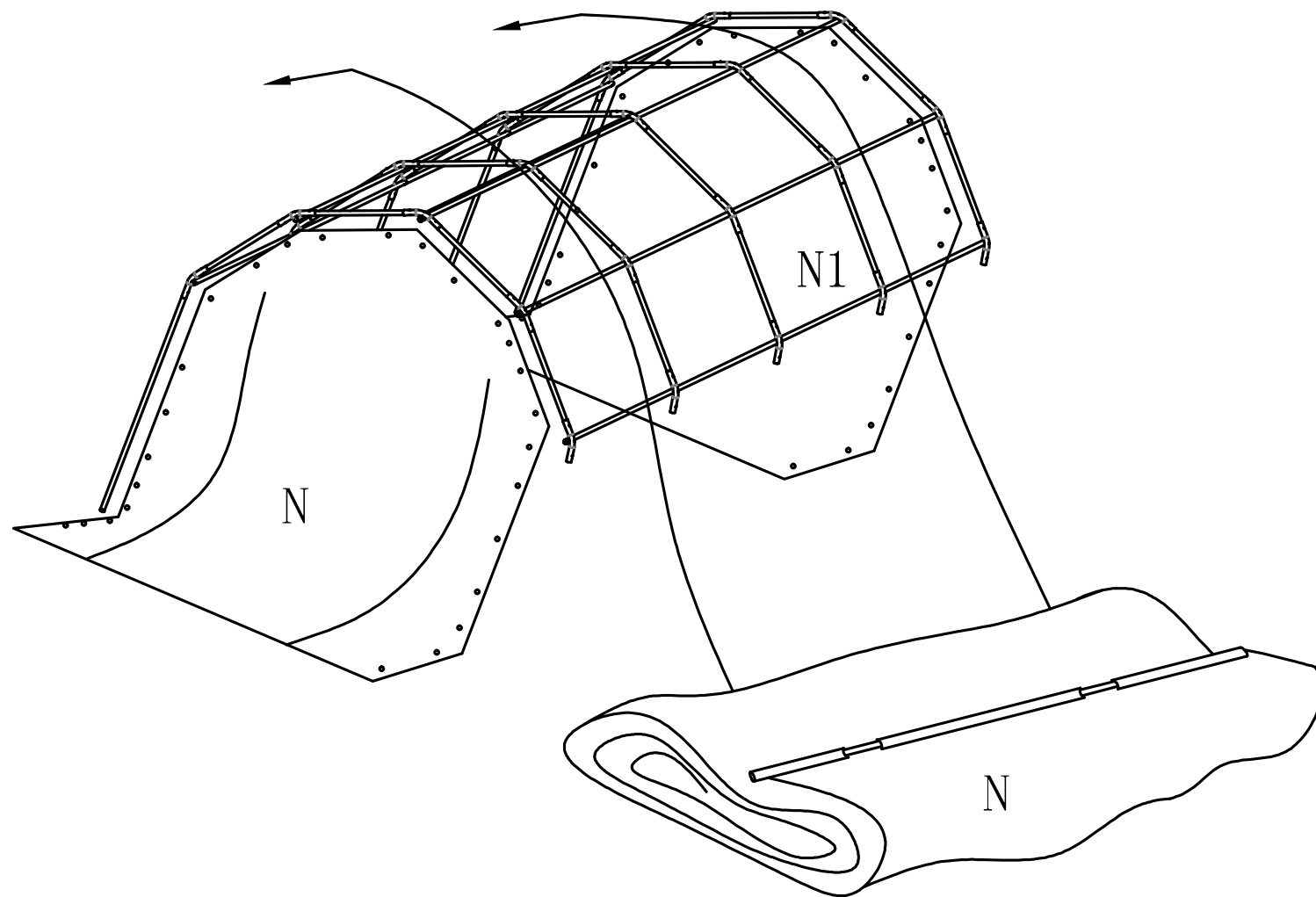


To prevent the cloth cover from being blown away, you can first use a bungees to secure the cloth cover to the profile.

6

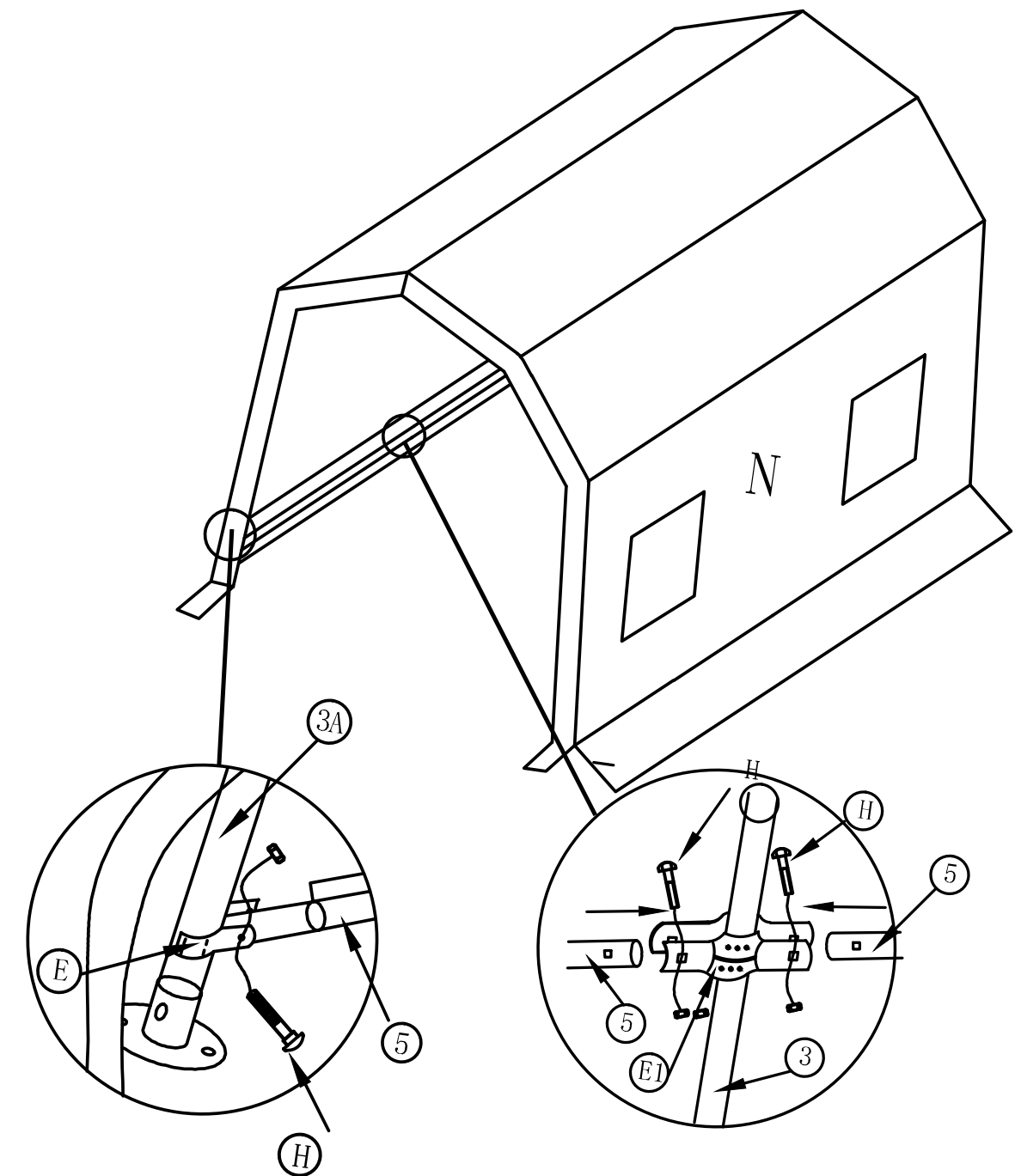
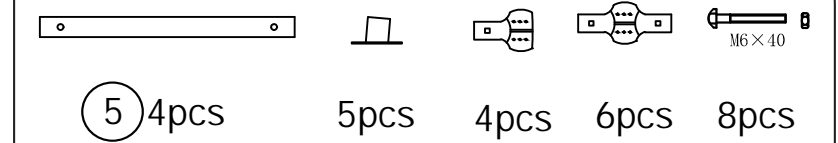


1pc



After installing one side of the legs, place the side without legs on the ground. Two people are needed to hold both ends of the cloth cover and pull it from one side to the other, covering the partially assembled frame.

7

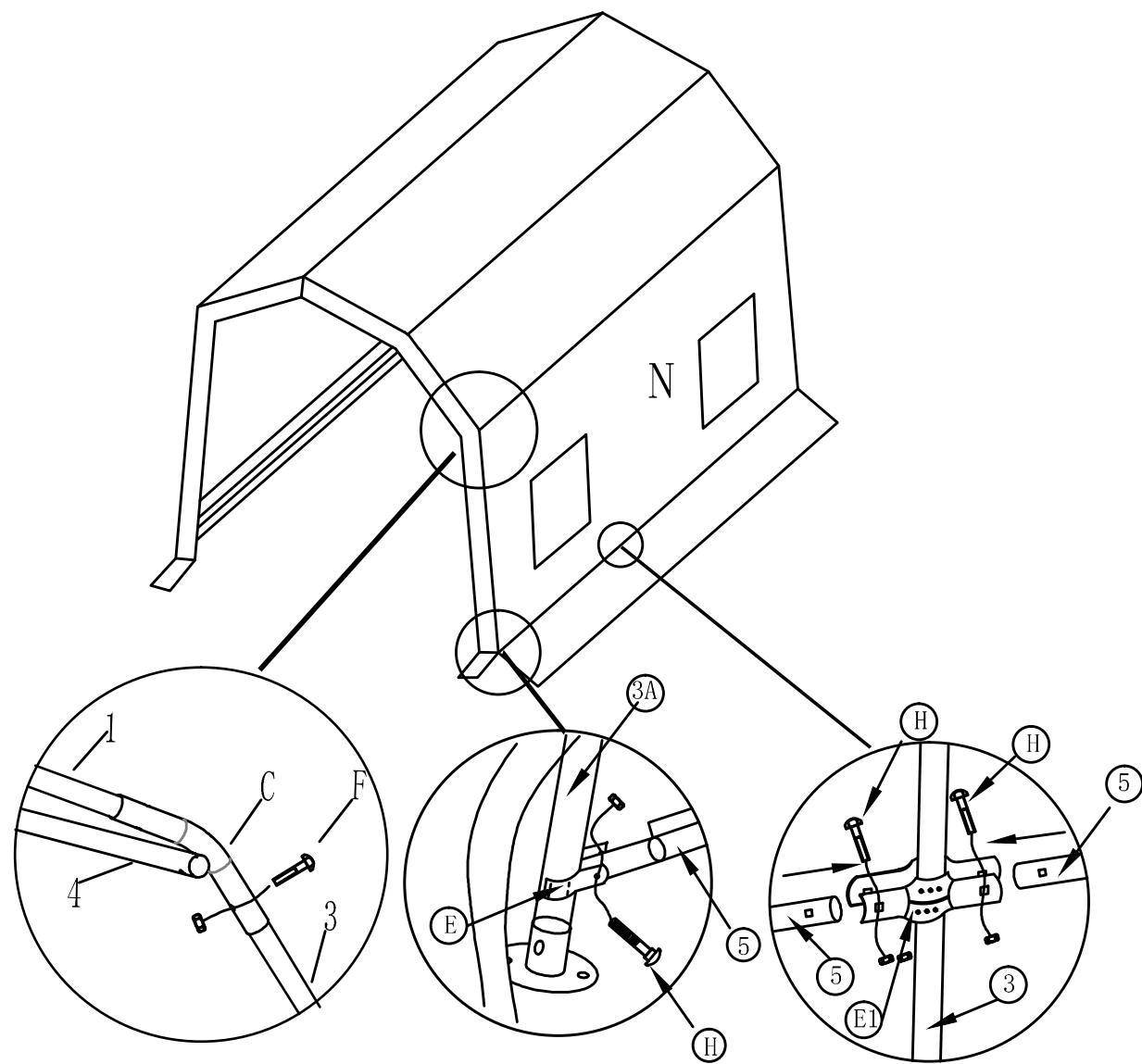
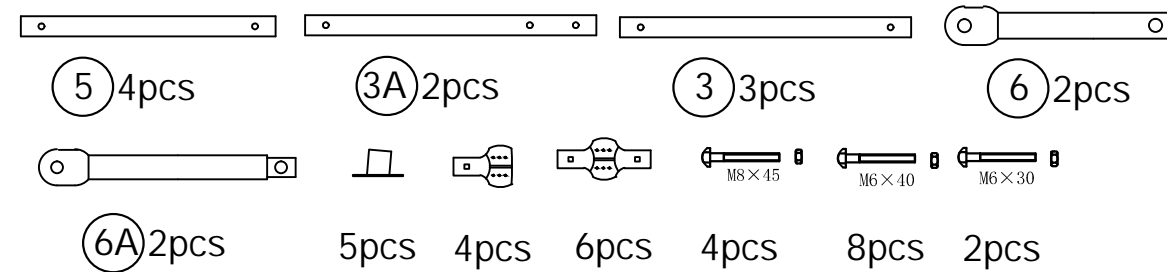


Insert the No. 5 pipe through the sleeve and connect it to the No. 3 leg pipe using metal fittings.

HELP CENTER

ASSEMBLY INSTRUCTIONS

8

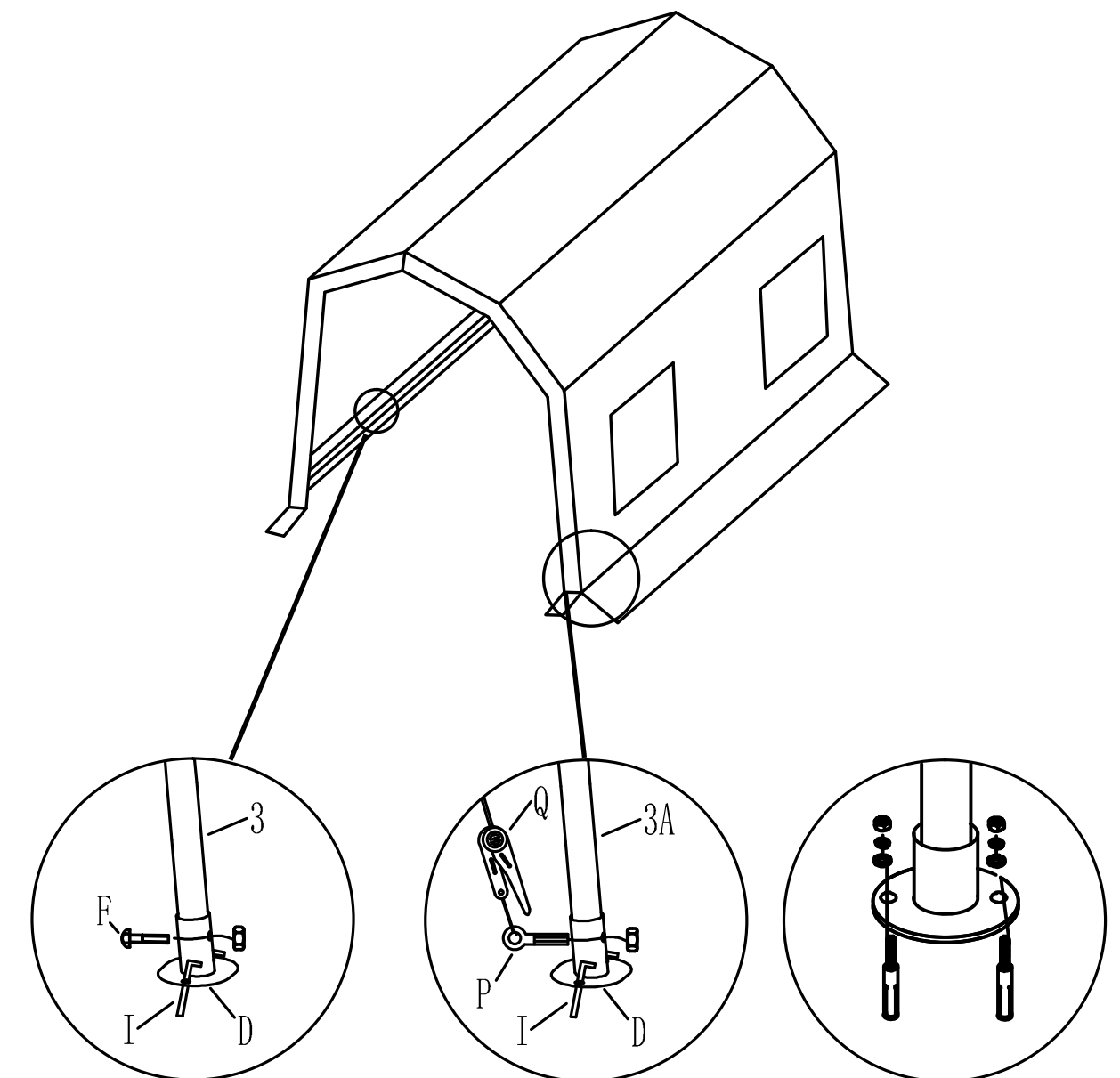
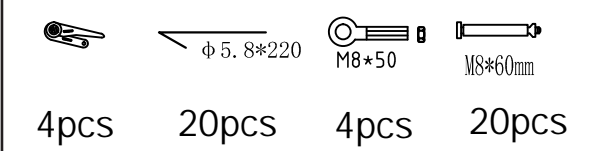


After covering the frame with the cloth cover, install the legs on the other side. This step requires at least two people.

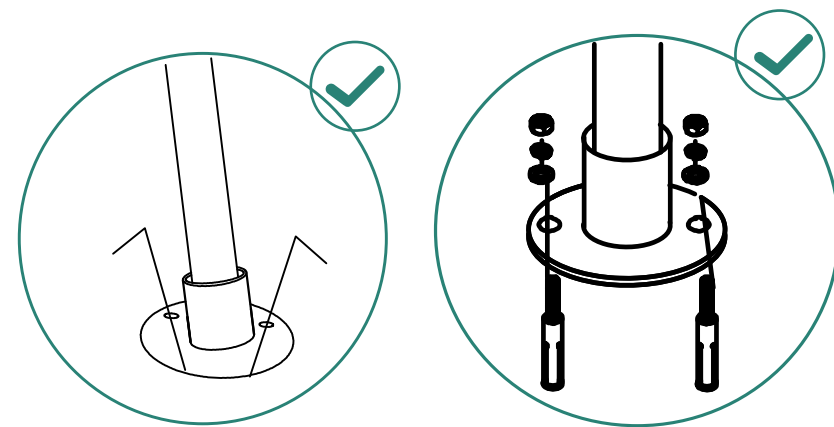
HELP CENTER

ASSEMBLY INSTRUCTIONS

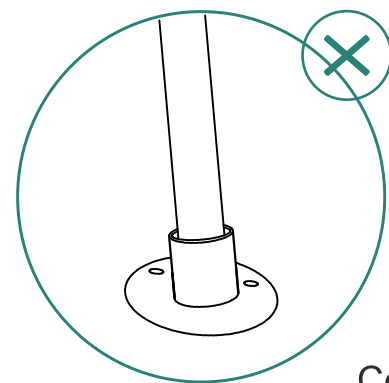
9



1. Tighten the D-number foot plate during installation to prevent wobbling.
 2. Tie the ropes inside the cloth covers at the four corners to the ratchet tighteners according to the instructions, and hook the ratchet tighteners onto the bolts of the leg lock plates.

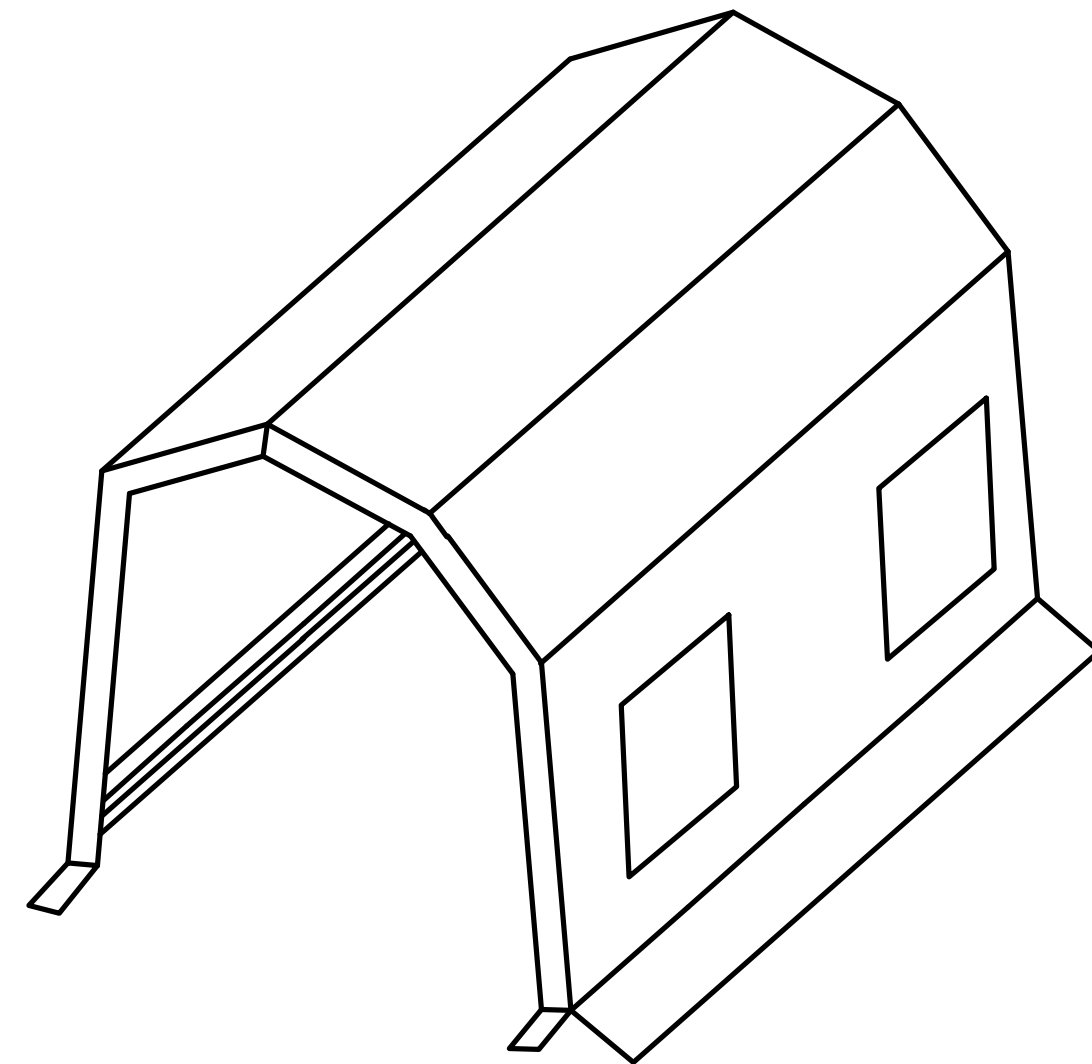


Grassy surfaces



Cement surfaces

To improve wind resistance,
be sure to complete this installation step. If expansion screws or ground nails are not installed, strong winds may topple the gazebo.
 Expansion screws are essential for stability on cement surfaces and ground nails are for grassy surfaces.
 Ground nails are included in the package while expansion screws are not provided.



Installation Completed

How to make the entire greenhouse more sturdy in strong winds or heavy snow?

1. Ensure all screws are tightened.
2. Confirm that ground nails and windproof ropes are installed as instructed.
3. Use stones or other heavy objects to weigh down any excess fabric around the perimeter.
4. If the canopy is erected on concrete ground, it is recommended to use expansion screws.